



US00D839933S

(12) **United States Design Patent** (10) **Patent No.:** **US D839,933 S**  
**Choi et al.** (45) **Date of Patent:** **\*\* Feb. 5, 2019**

(54) **DRAWER FOR REFRIGERATOR**  
(71) Applicant: **LG ELECTRONICS INC.**, Seoul (KR)  
(72) Inventors: **Kyukwan Choi**, Seoul (KR); **Daesung Lee**, Seoul (KR); **Jihyun Lee**, Seoul (KR); **Hyunki Kim**, Seoul (KR)  
(73) Assignee: **LG ELECTRONICS INC.**, Seoul (KR)  
(\*\*) Term: **15 Years**  
(21) Appl. No.: **35/503,254**  
(22) Filed: **Dec. 19, 2016**  
(80) **Hague Agreement Data**  
Int. Filing Date: **Dec. 19, 2016**  
Int. Reg. No.: **DM/094053**  
Int. Reg. Date: **Dec. 19, 2016**  
Int. Reg. Pub. Date: **Jun. 23, 2017**

(30) **Foreign Application Priority Data**  
Jun. 28, 2016 (KR) ..... 30-2016-0031490  
(51) **LOC (11) Cl.** ..... **15-07**  
(52) **U.S. Cl.**  
USPC ..... **D15/89**  
(58) **Field of Classification Search**  
USPC ..... D15/79-91  
CPC ..... F25D 25/02; F25D 25/024; F25D 23/00;  
F25D 2325/022; F25D 25/04; F25D  
23/067; F25D 23/04; F25D 11/00; F25D  
23/025;

(Continued)

(56) **References Cited**  
U.S. PATENT DOCUMENTS  
D513,270 S \* 12/2005 Seok ..... D15/89  
D656,968 S \* 4/2012 Hwang ..... D15/86  
(Continued)

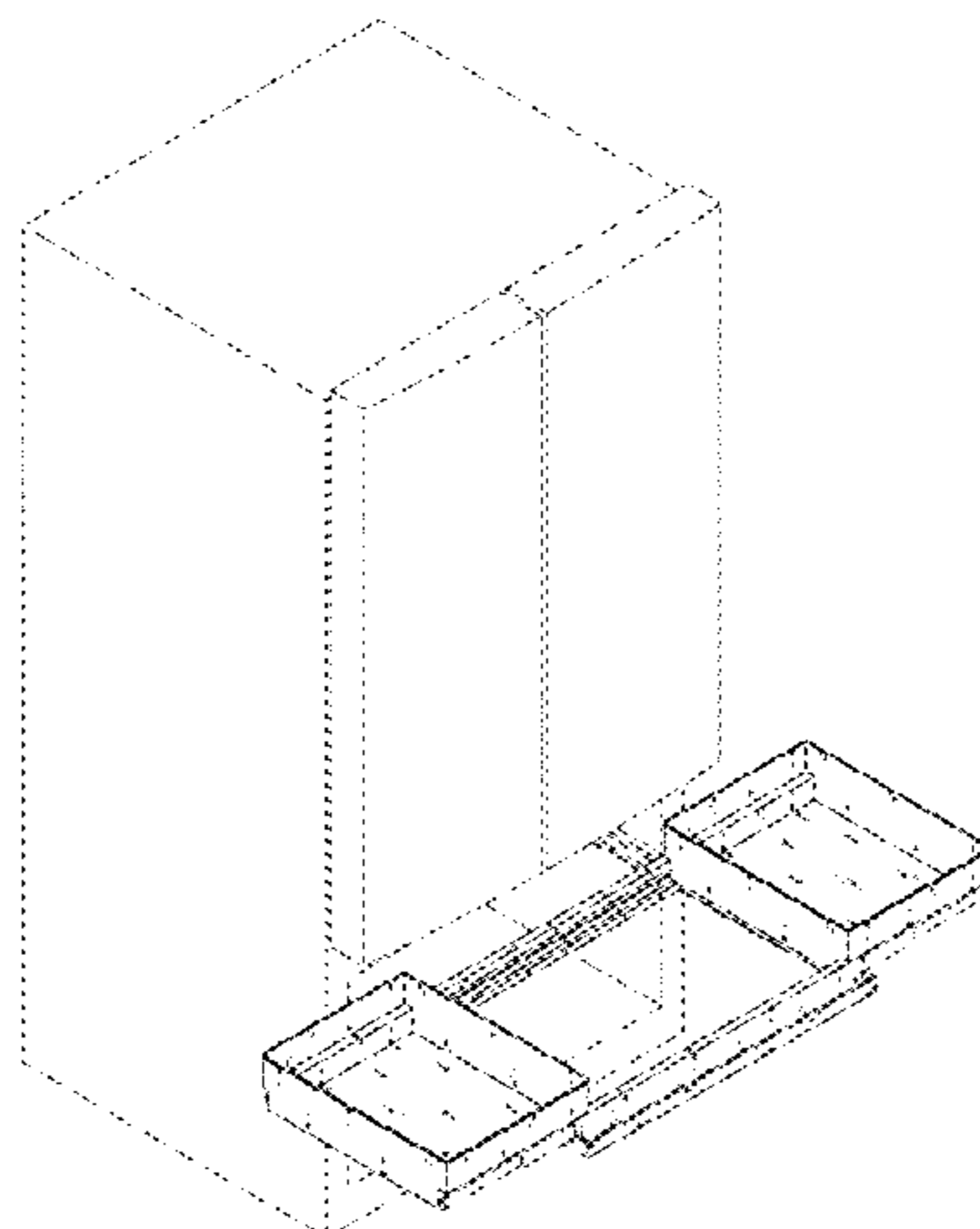
*Primary Examiner* — Richard E Chilcot  
(74) *Attorney, Agent, or Firm* — Birch, Stewart, Kolasch & Birch, LLP

(57) **CLAIM**  
The ornamental design for a drawer for refrigerator, as shown and described.

**DESCRIPTION**

1.Drawer for Refrigerator  
1.1 is a perspective view of a drawer for refrigerator, showing our new design;  
1.2 is a front elevation view thereof;  
1.3 is a rear elevation view thereof;  
1.4 is a left-side elevation view thereof;  
1.5 is a right-side elevation view thereof;  
1.6 is a top plan view thereof;  
1.7 is a bottom plan view thereof;  
1.8 is a perspective view thereof, in a use condition;  
1.9 is a perspective view of the drawer for refrigerator, when the drawer is slid out;  
1.10 is a front elevation view thereof;  
1.11 is a rear elevation view thereof;  
1.12 is a left-side elevation view thereof;  
1.13 is a right-side elevation view thereof;  
1.14 is a top plan view thereof;  
1.15 is a bottom plan view thereof;  
1.16 is a perspective view thereof, in a use condition;  
1.17 is a perspective view of the drawer for refrigerator, when the drawer is slid out and each of the baskets therein slides to each side;  
1.18 is a front elevation view thereof;  
1.19 is a rear elevation view thereof;  
1.20 is a left-side elevation view thereof;  
1.21 is a right-side elevation view thereof;  
1.22 is a top plan view thereof;  
1.23 is a bottom plan view thereof; and  
1.24 is a perspective view thereof, in a use condition.  
The broken lines shown in the drawing figures are included for the purpose of illustrating environment and form no part of the claimed design.

**1 Claim, 24 Drawing Sheets**



(52) **U.S. Cl.**  
CPC ..... *F25D 25/02* (2013.01)

(58) **Field of Classification Search**  
CPC .. F25D 25/025; F25D 27/00; F25D 2325/021;  
F25D 2400/22; F25D 11/02; F25D 23/12;  
F25D 27/005; F25D 2331/80; F25D  
2323/122; F25D 2325/00; F25D 2327/00;  
F25D 2327/001; F25D 2331/809; F25D  
2331/81; F25D 23/062; F25D 23/065;  
F25D 23/069; F25D 23/087; F25D  
23/126; F25D 2400/36; F25D 2400/361;  
F25D 25/00; F25D 2600/00; F25D  
2600/02; F25D 17/042; F25D 2331/805;  
F25D 23/028; F25D 2400/40; F25D  
2500/02; F25D 2500/06; F25D 25/022;  
F25D 25/028; F25D 2201/00; F25D  
2317/041; F25D 2317/0411; F25D  
2317/0416

See application file for complete search history.

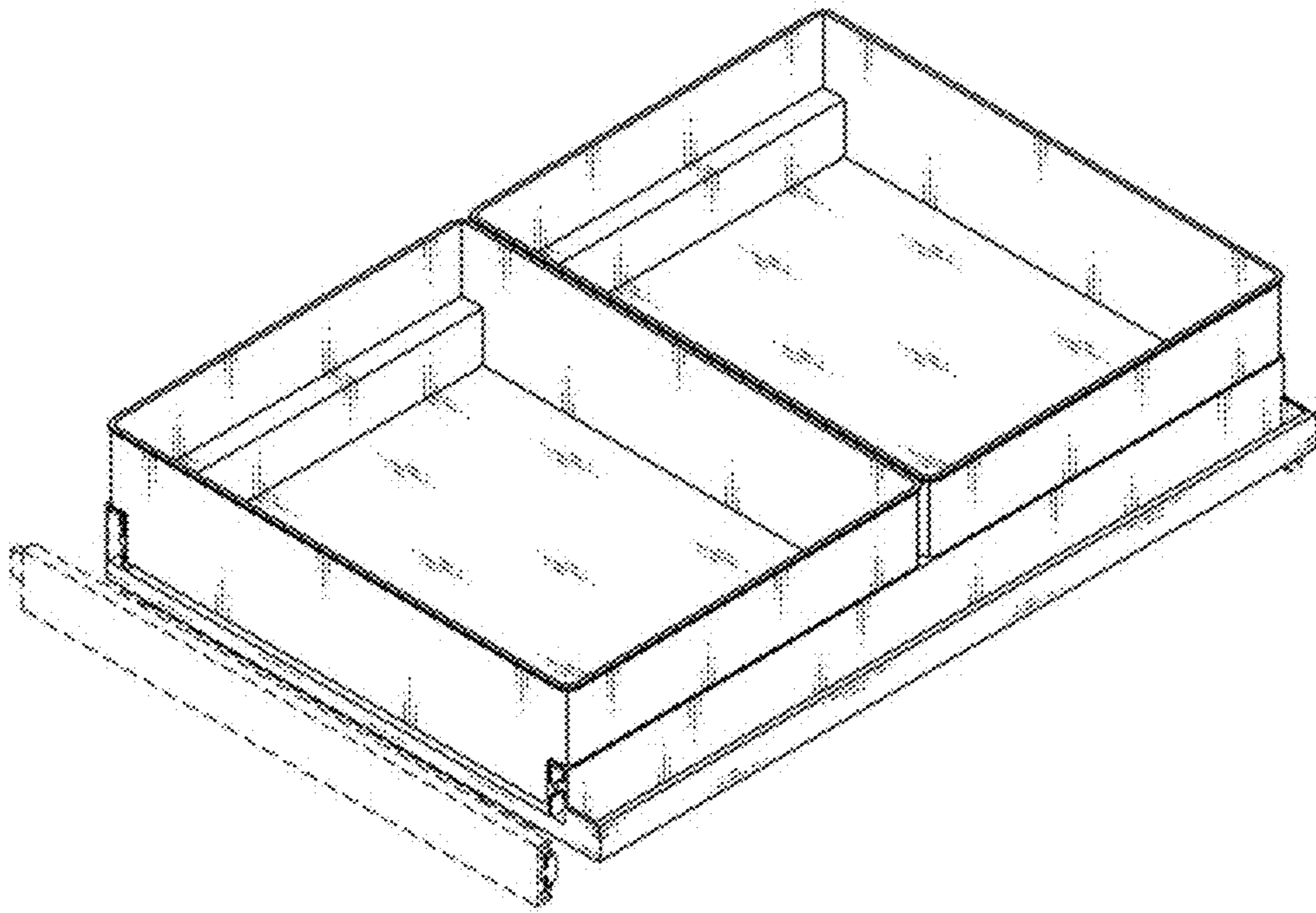
(56) **References Cited**

U.S. PATENT DOCUMENTS

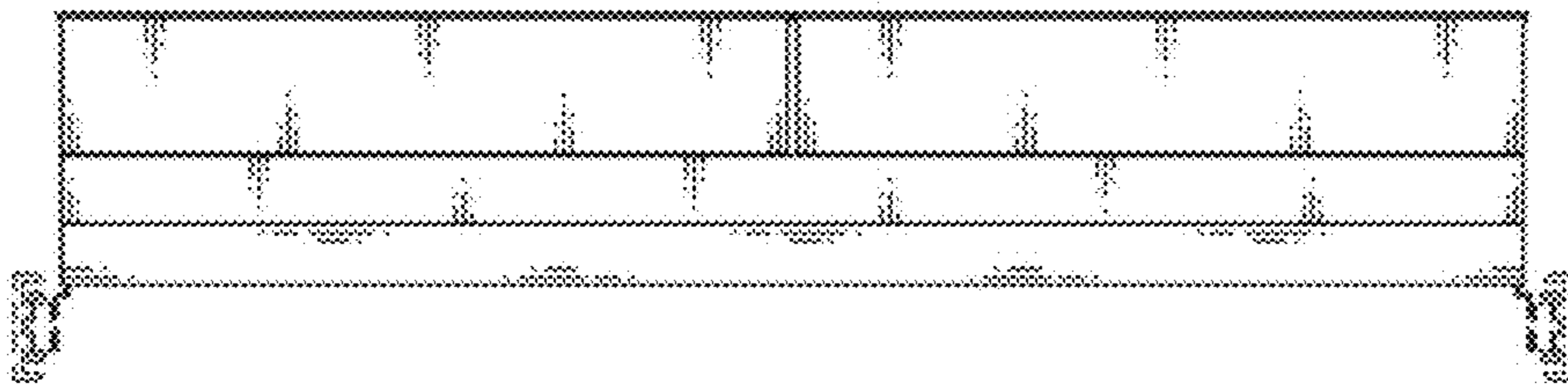
D658,213	S	*	4/2012	Seo	.....	D15/86
D658,214	S	*	4/2012	Seo	.....	D15/86
D671,152	S	*	11/2012	Seo	.....	D15/89
D676,468	S	*	2/2013	Lee	.....	D15/89
D677,289	S	*	3/2013	Seo	.....	D15/90
D685,010	S	*	6/2013	Seo	.....	D15/86
D706,314	S	*	6/2014	Seo	.....	D15/89
D718,349	S	*	11/2014	Cho	.....	D15/85
D730,954	S	*	6/2015	Choi	.....	D15/89
D730,957	S	*	6/2015	You	.....	D15/91
D731,562	S	*	6/2015	You	.....	D15/89
D737,869	S	*	9/2015	Seo	.....	D15/91
D743,454	S	*	11/2015	Yeo	.....	D15/89
D774,114	S	*	12/2016	Lee	.....	D15/89
D786,949	S	*	5/2017	Onrat	.....	D15/89
D798,509	S	*	9/2017	Fuller	.....	D32/3
D802,631	S	*	11/2017	Seo	.....	D15/90
D815,695	S	*	4/2018	Waldman	.....	D21/328

\* cited by examiner

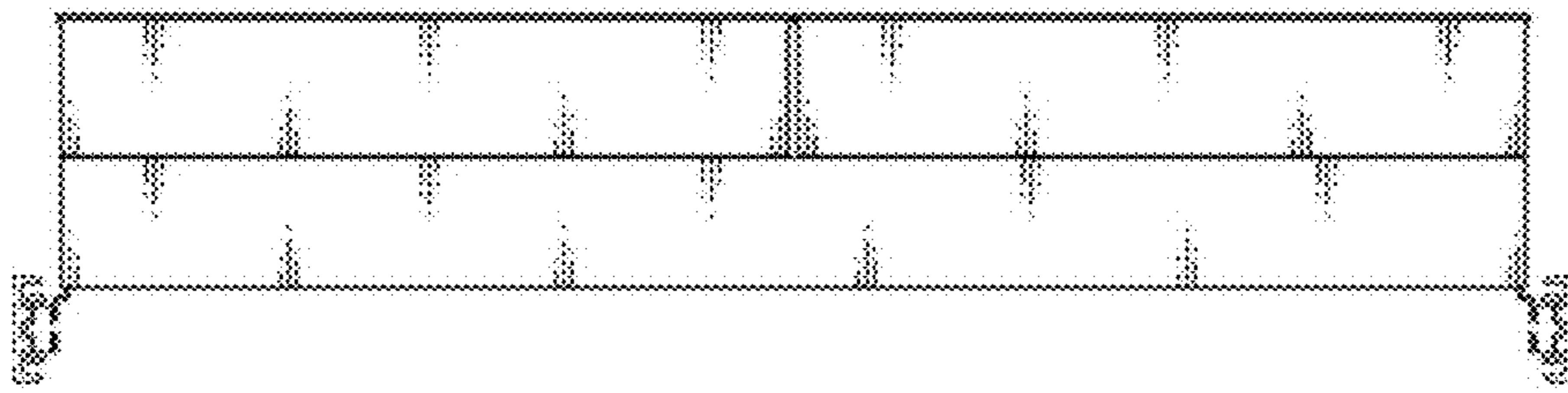
1.1



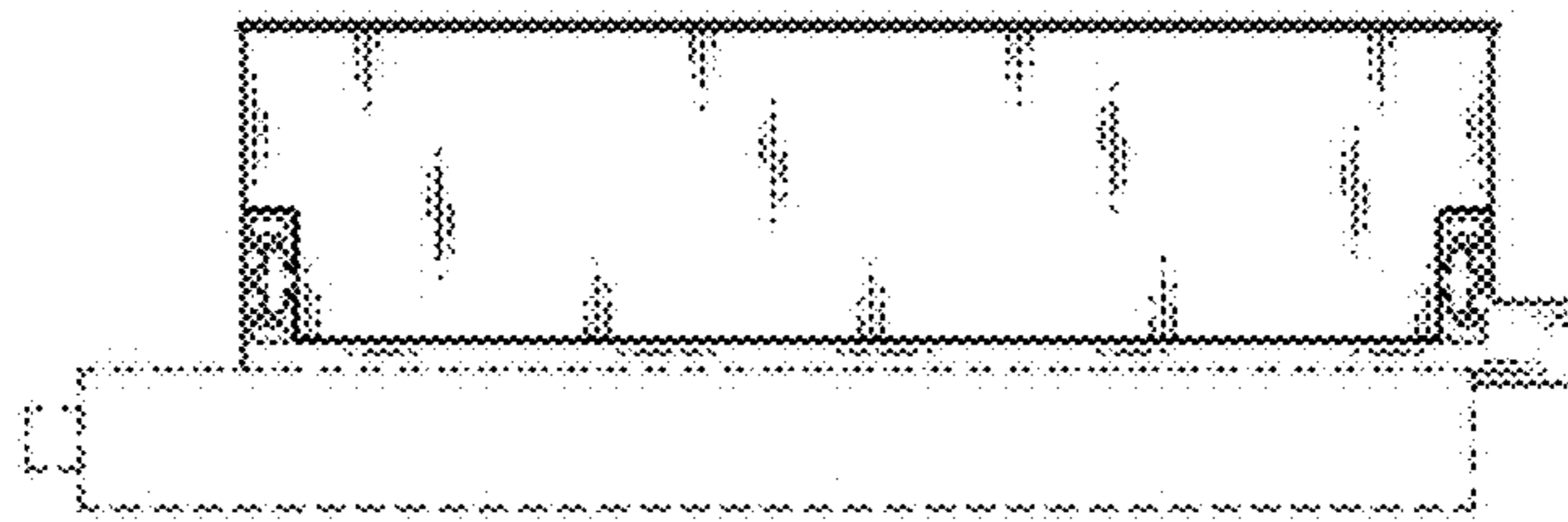
1.2



1.3

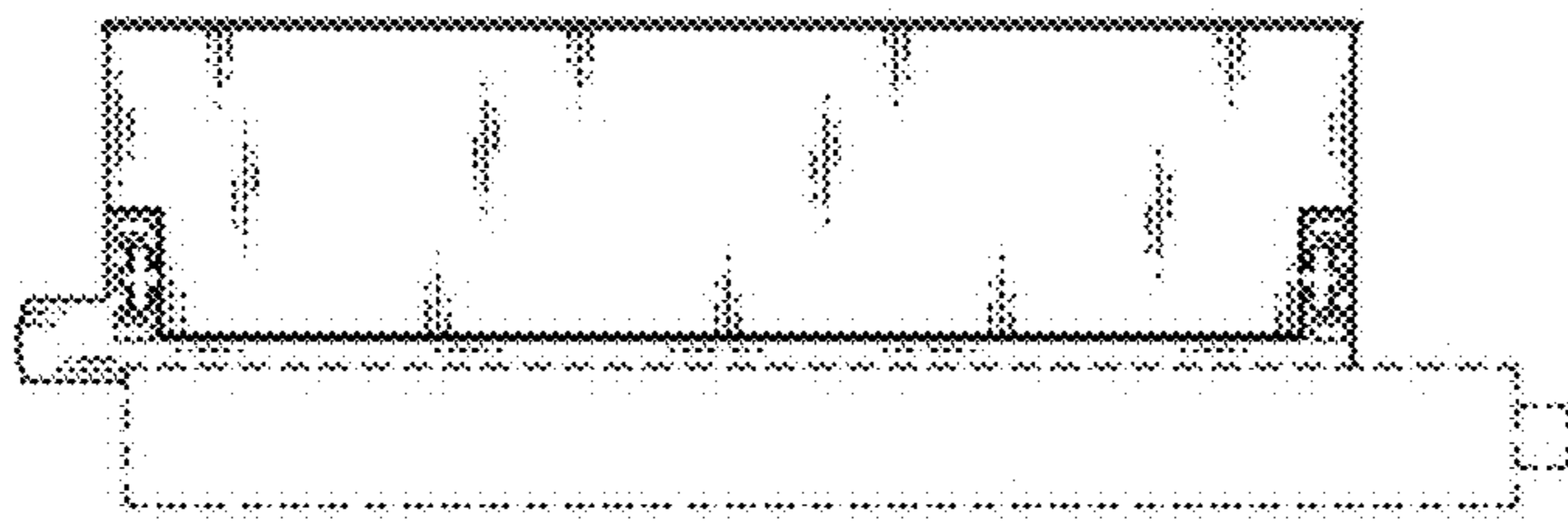


1.4

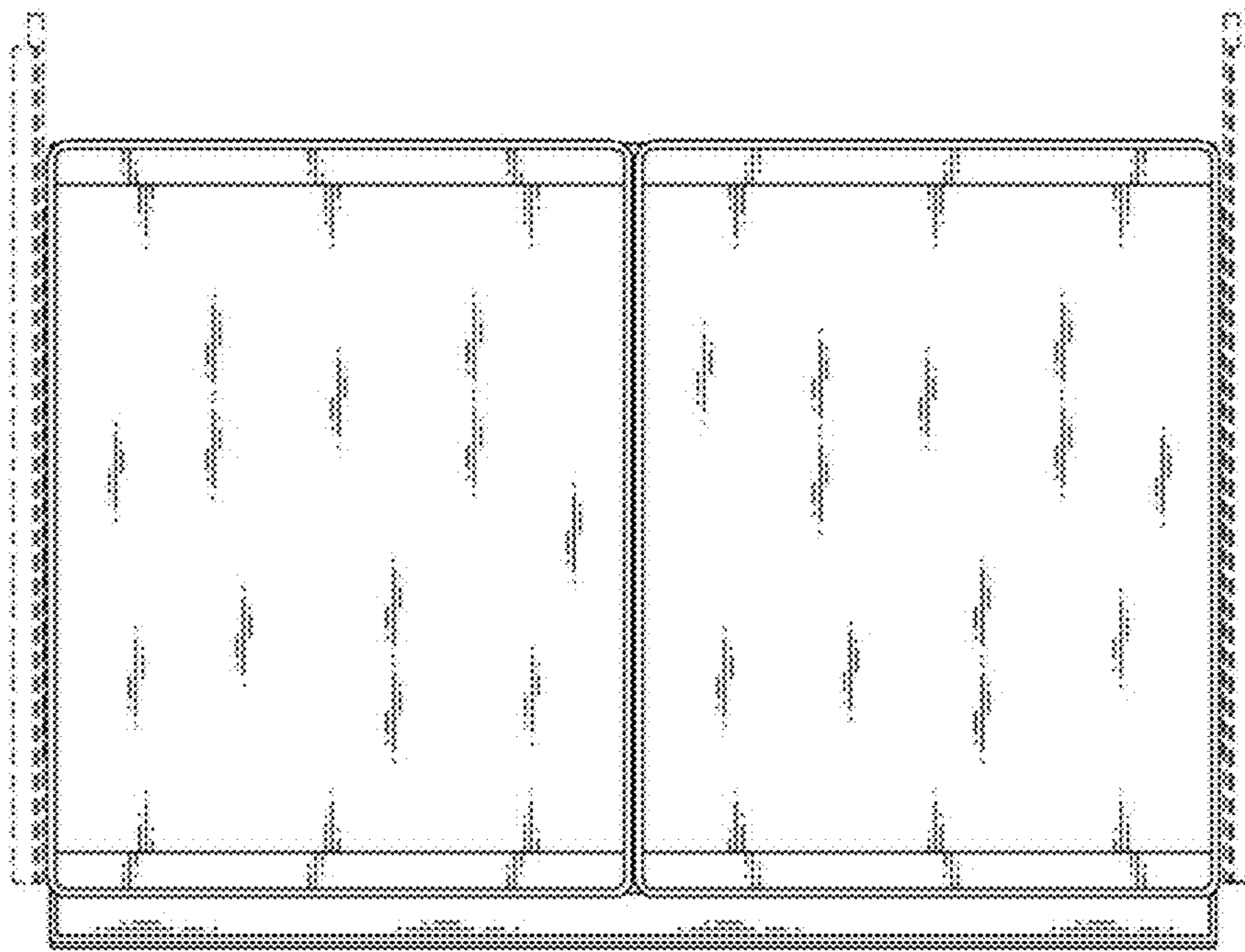




1.5

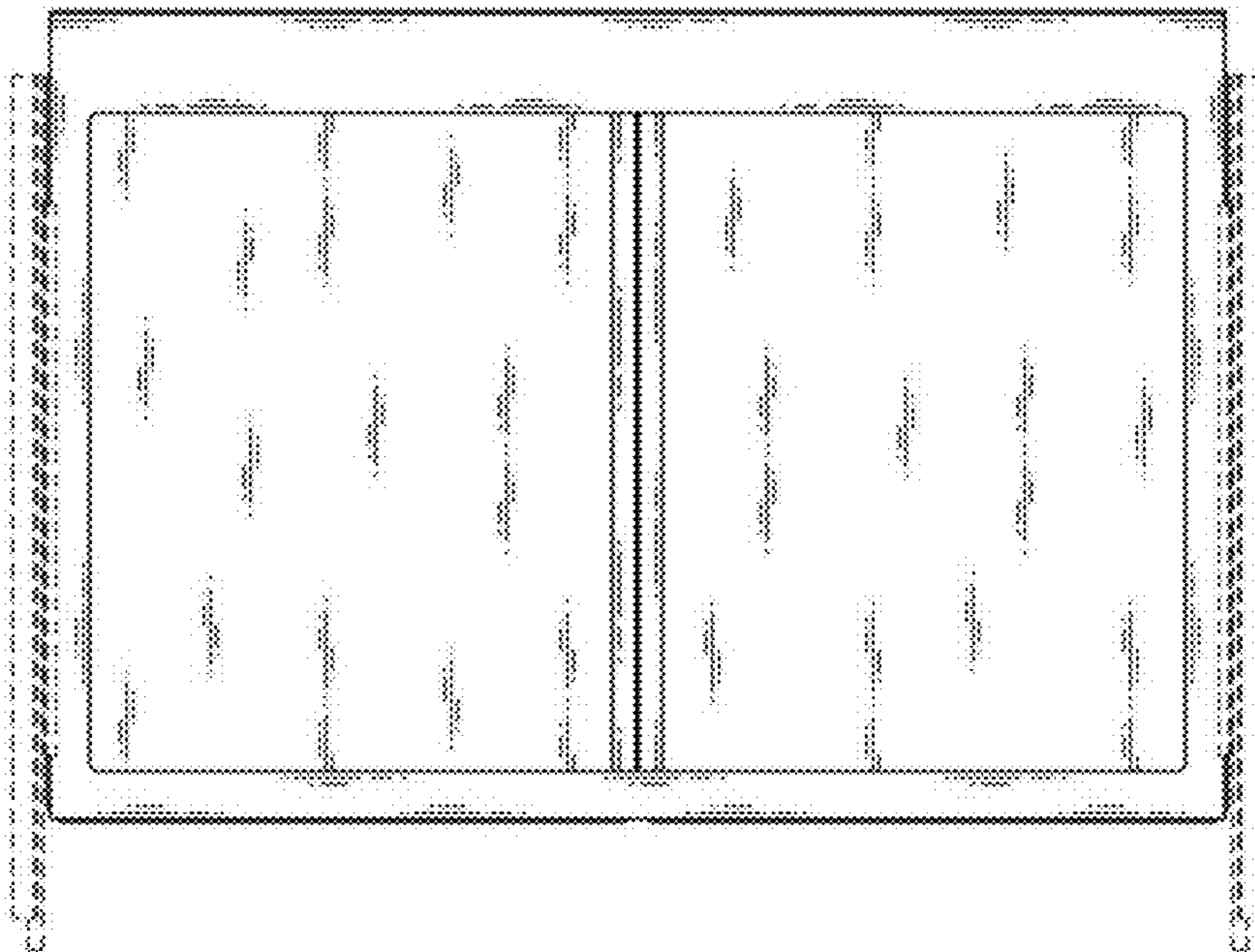


1.6

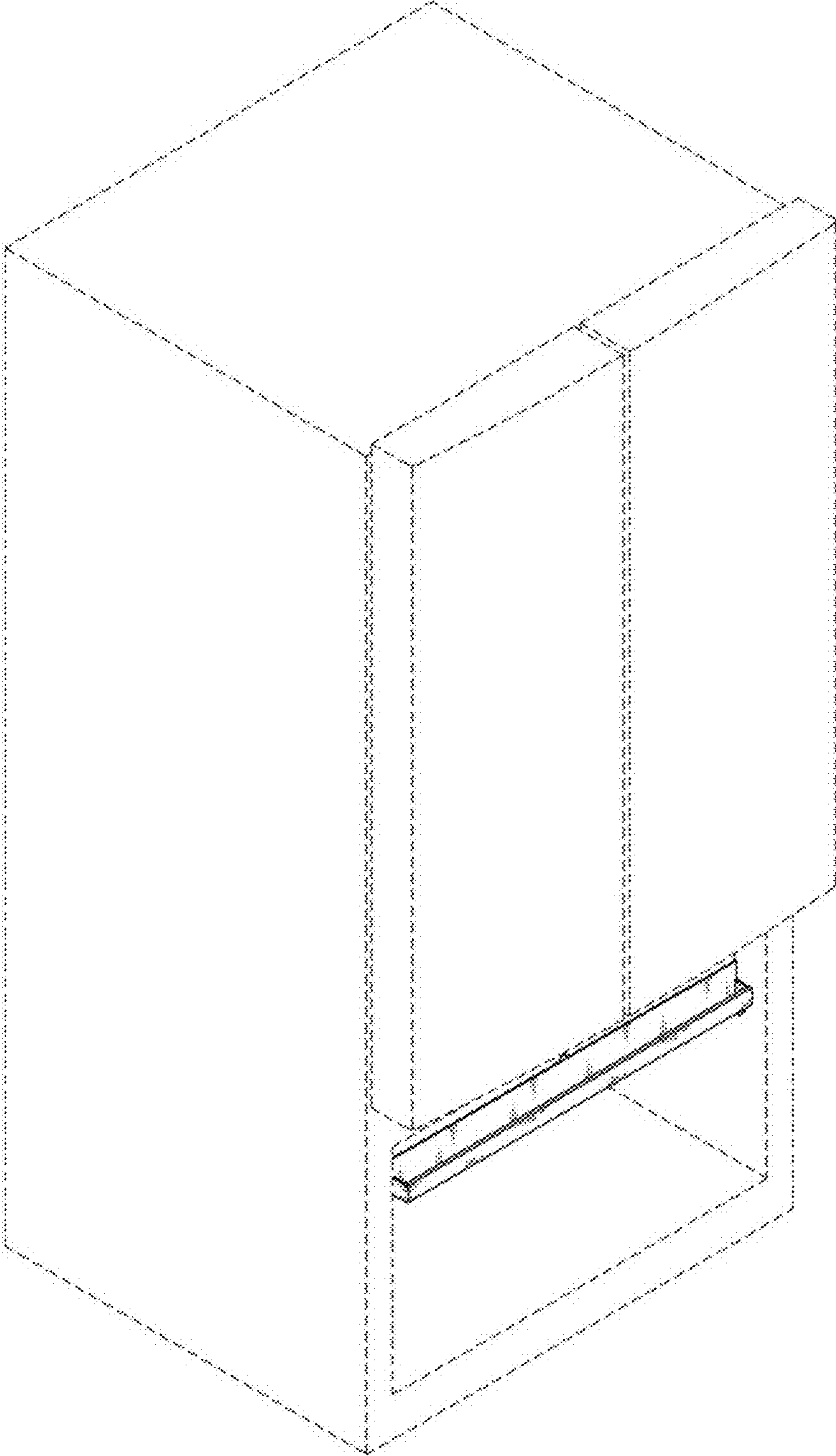




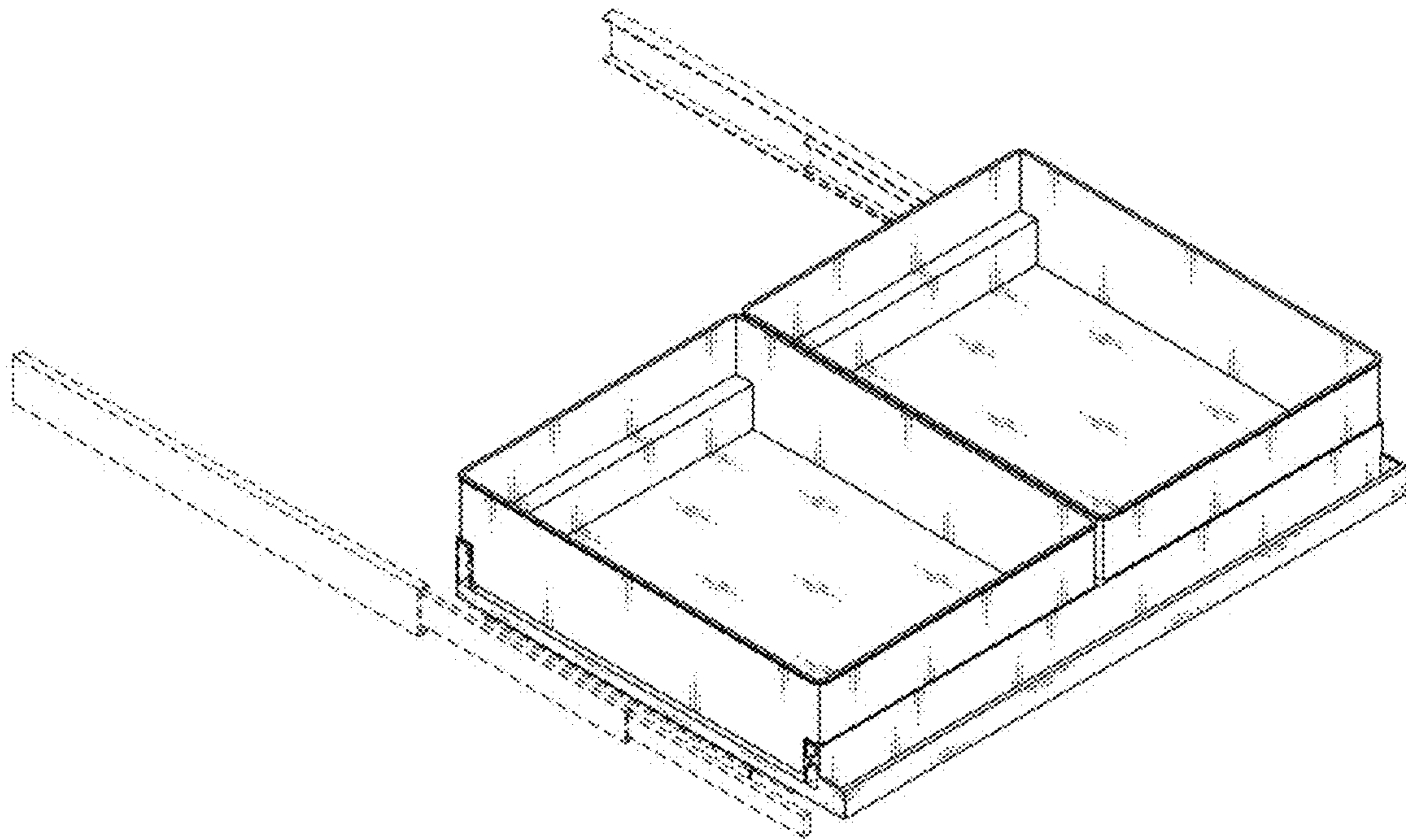
1.7



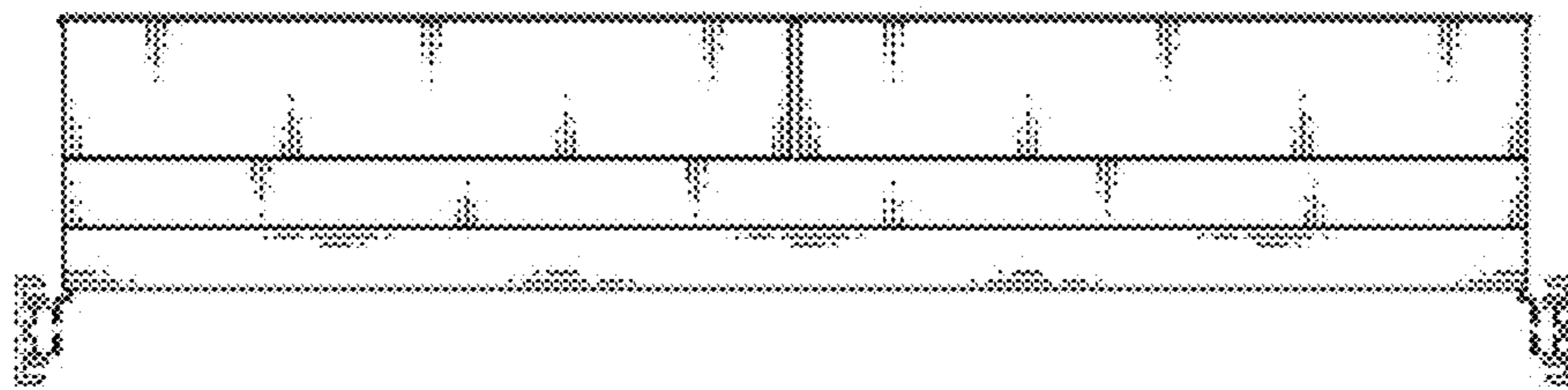
1.8



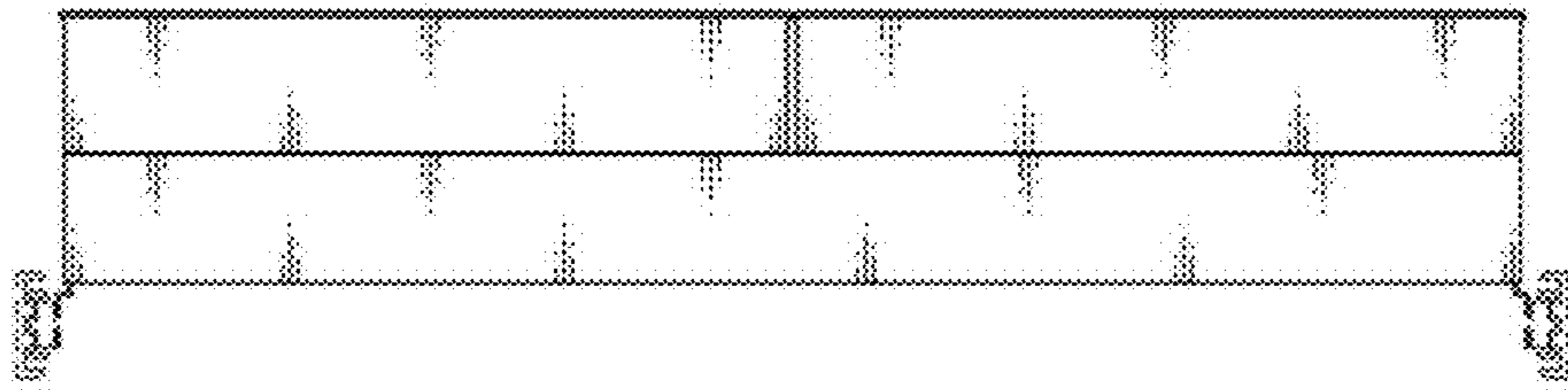
1.9



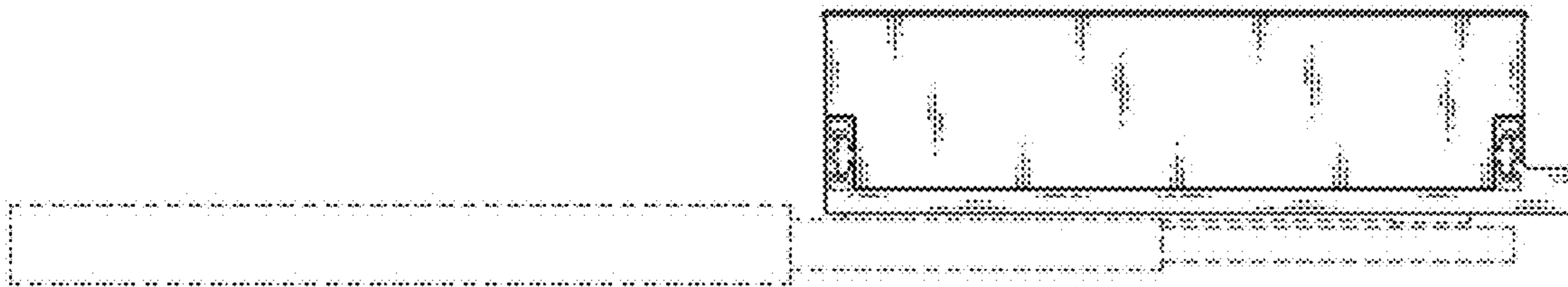
**1.10**



1.11

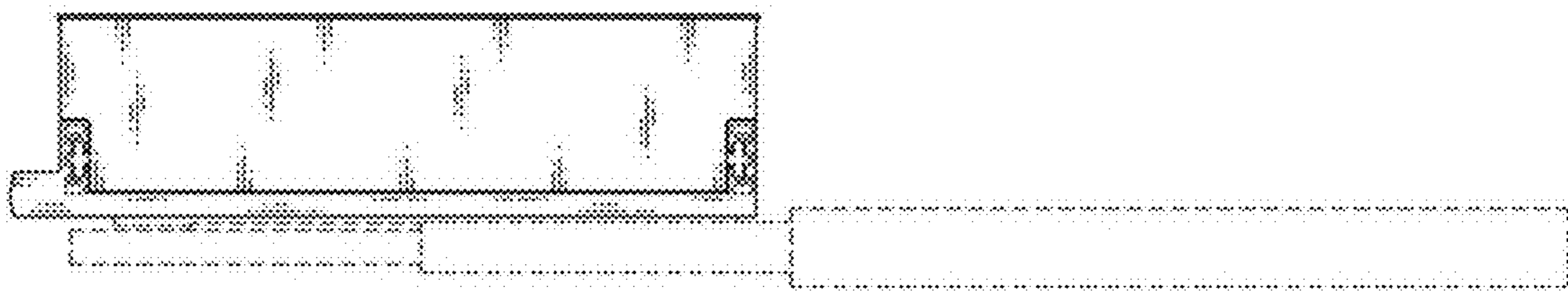


1.12

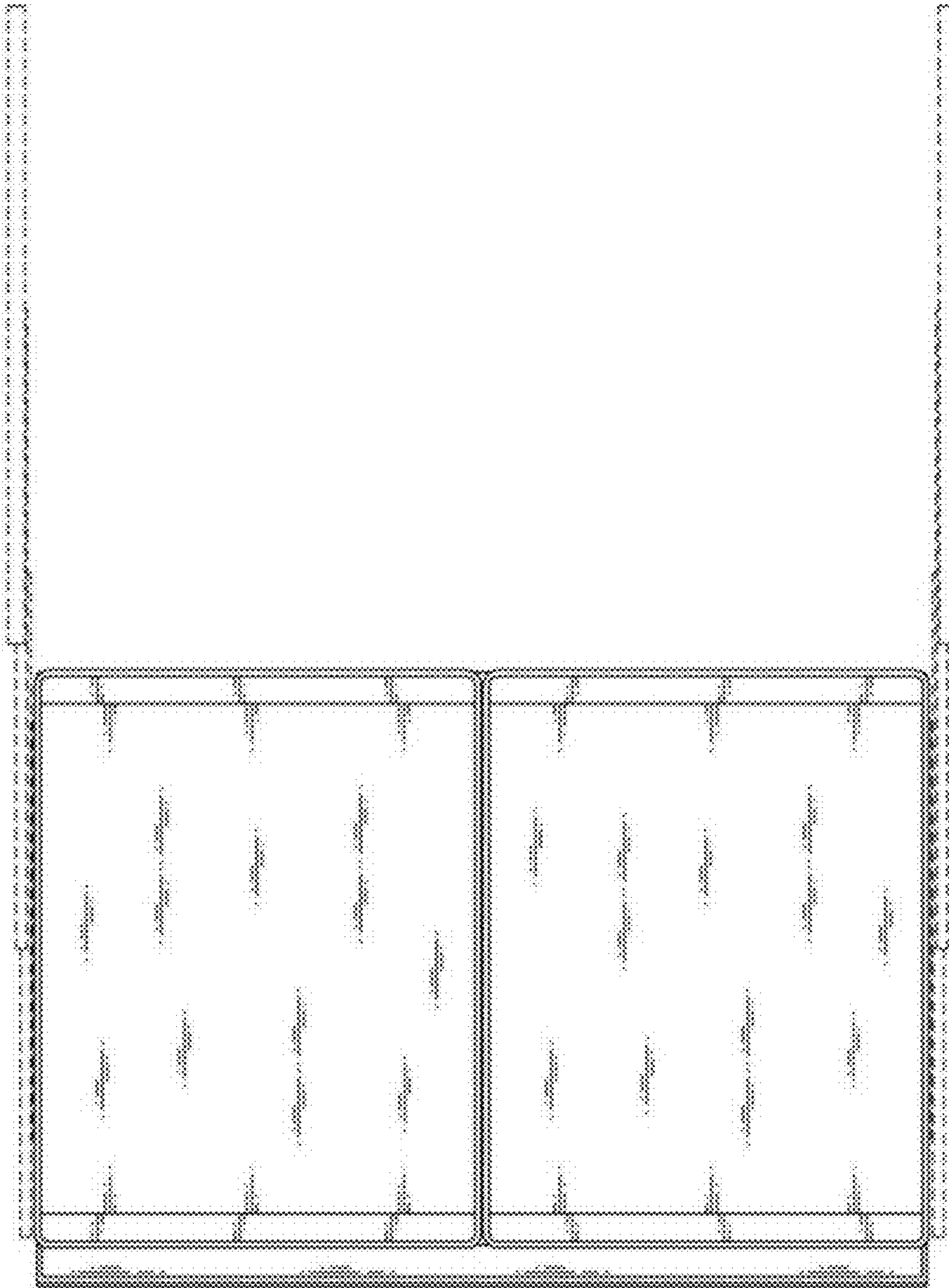




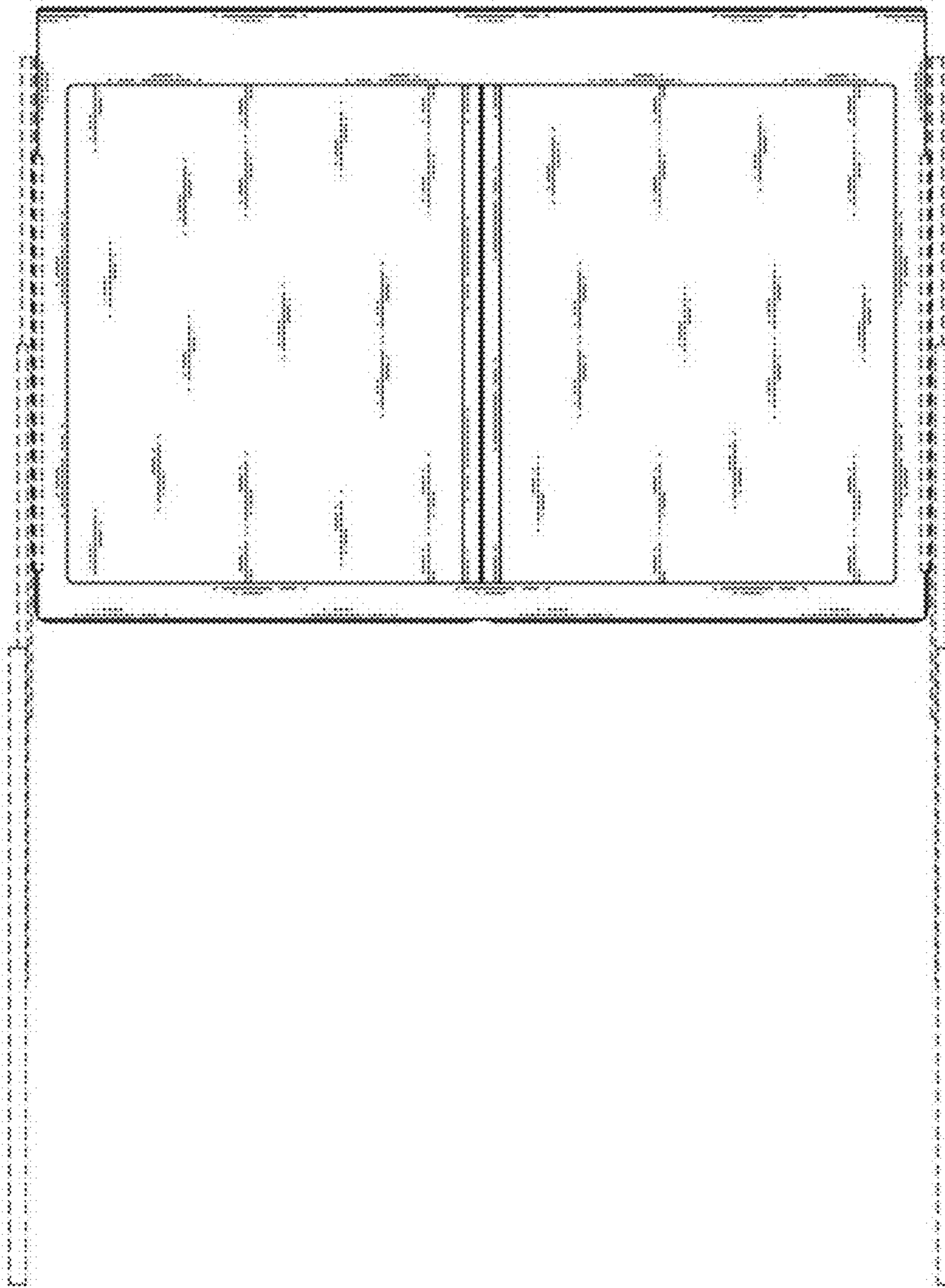
1.13



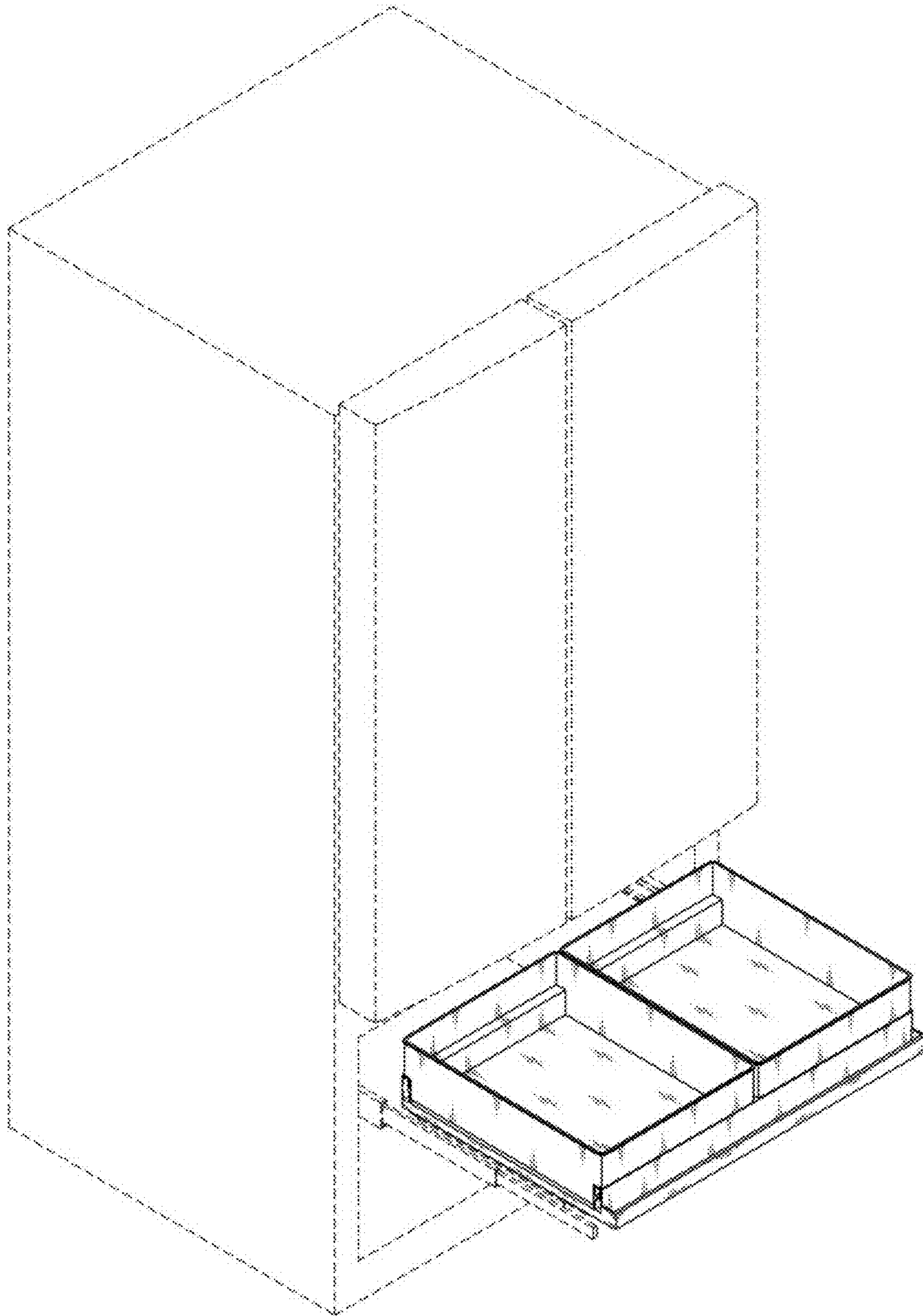
1.14



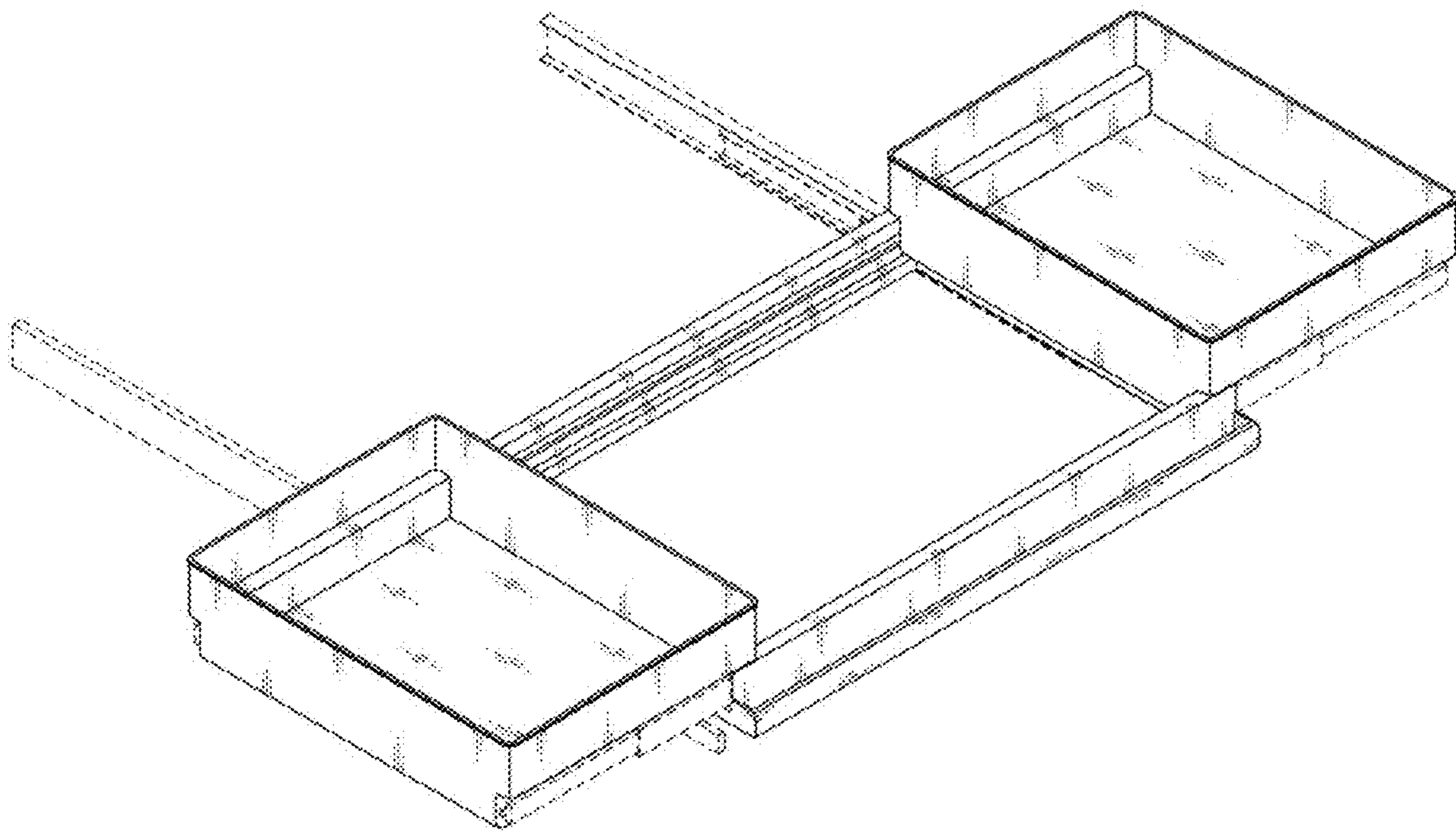
1.15



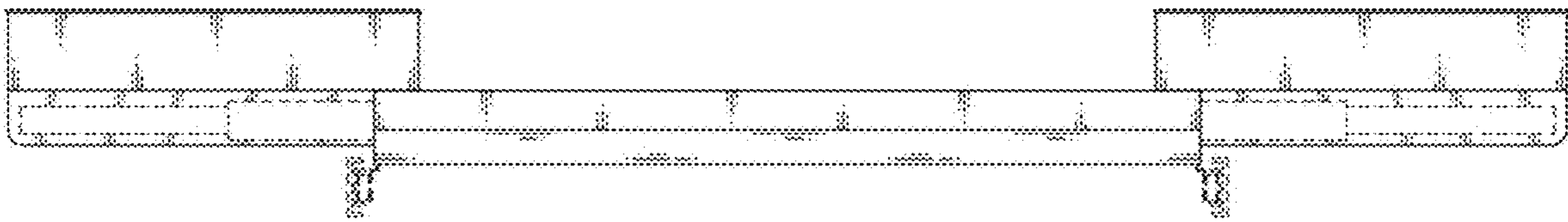
1.16



1.17

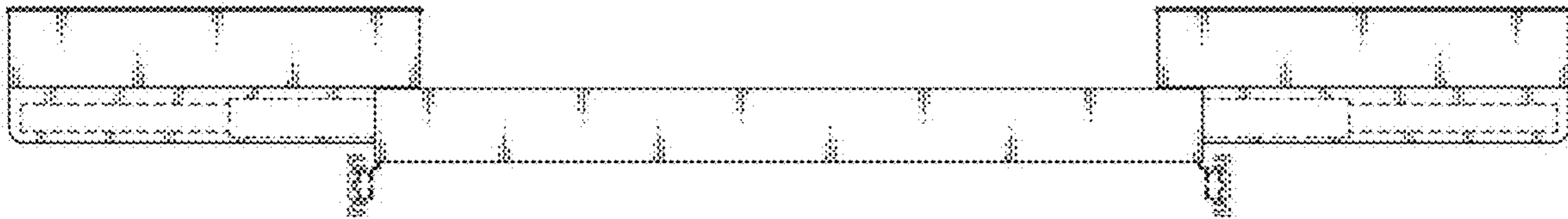


1.18

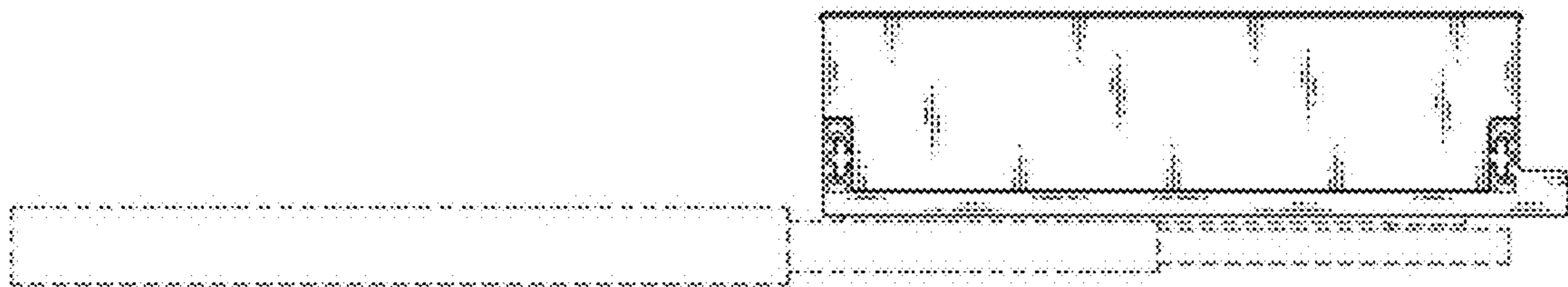




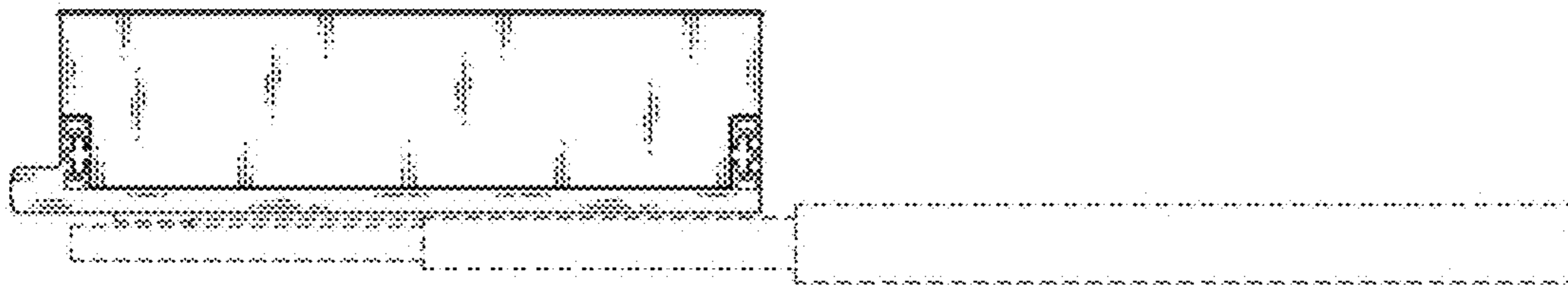
1.19



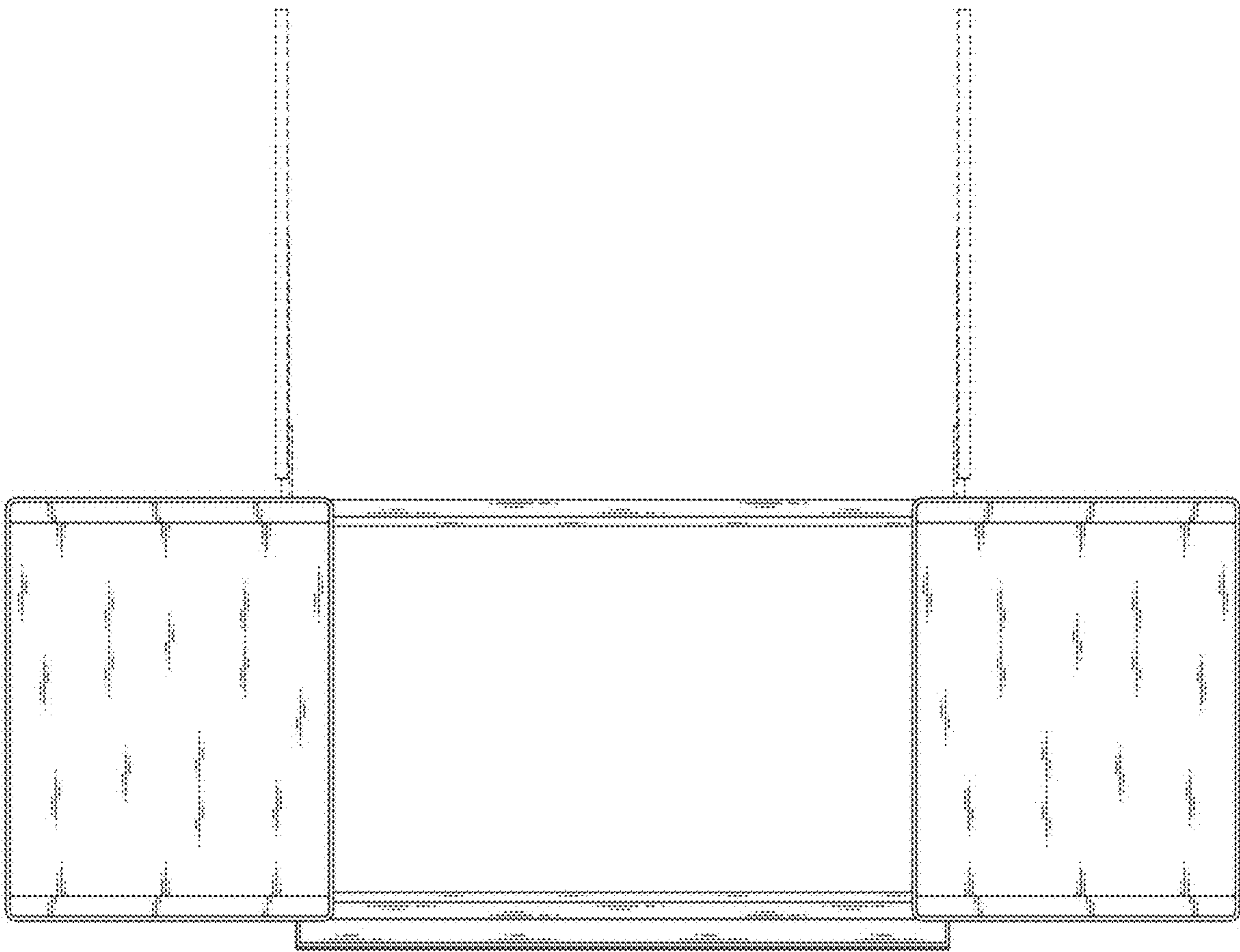
1.20



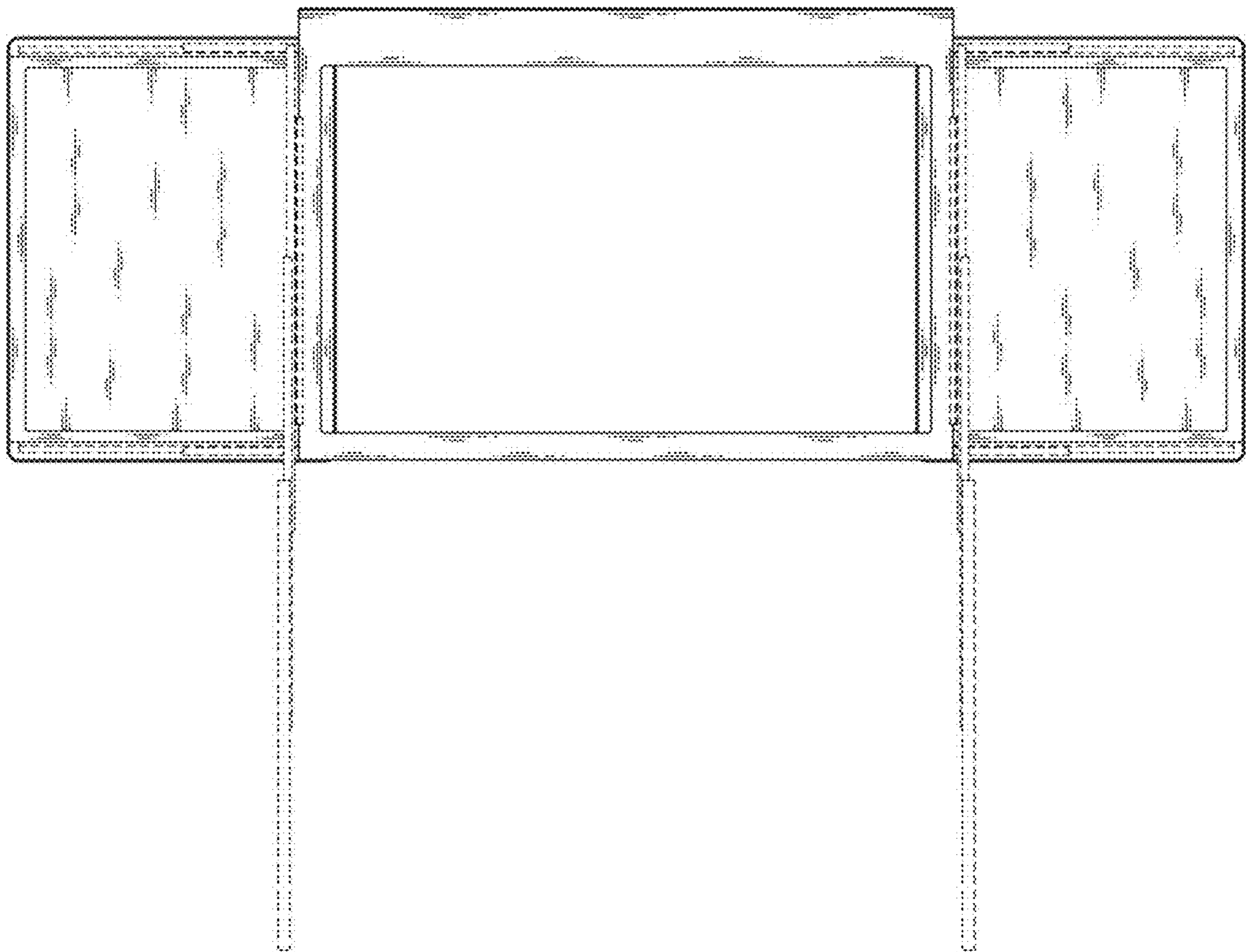
1.21



1.22



1.23



1.24

