



US00D839929S

(12) **United States Design Patent** (10) **Patent No.:** **US D839,929 S**
Price et al. (45) **Date of Patent:** **** Feb. 5, 2019**

(54) **SKID STEER LOADER**

(71) Applicant: **J.C. BAMFORD EXCAVATORS LIMITED**, Uttoxeter (GB)

(72) Inventors: **David Price**, Uttoxeter (GB); **Paul Bigoney**, Savannah, GA (US); **Doug McIlwain**, Savannah, GA (US); **Douglas Davidowski**, Savannah, GA (US); **Stephen Ackermann**, Savannah, GA (US); **Christopher Nierenhausen**, Savannah, GA (US); **Justin Haddock**, Savannah, GA (US)

(73) Assignee: **J.C. BAMFORD EXCAVATORS LIMITED**, Uttoxeter (GB)

(**) Term: **15 Years**

(21) Appl. No.: **29/629,428**

(22) Filed: **Dec. 13, 2017**

(51) **LOC (11) Cl.** **12-09**

(52) **U.S. Cl.**
USPC **D15/23**

(58) **Field of Classification Search**
USPC D15/10, 17, 22-26, 28, 30; D12/192; D21/329; D34/28, 35; 74/491, 469, 74/471 R, 471 XY; 280/752; 296/1.09, 296/191, 153; 297/411.36, 217.3, 411.2, 297/411.21; 180/333, 315, 326, 332, 329, 180/331, 90, 334, 89.1, 89.12, 900; 414/685, 686
CPC E02F 3/3405; E02F 3/283; E02F 3/342; E02F 3/3414; E02F 3/38; E02F 3/00; E02F 9/166; E02F 9/163; A01G 23/006; B62D 33/0617; B62D 33/067
See application file for complete search history.

(56) **References Cited**

U.S. PATENT DOCUMENTS

D251,088 S * 2/1979 Johnson D15/23
D317,926 S * 7/1991 Lynnes D15/23

D322,792 S * 12/1991 Park D15/25
5,240,366 A * 8/1993 Bamford B60K 20/00
212/261
D376,372 S * 12/1996 Little D15/23
5,807,061 A * 9/1998 Donoghue E02F 3/3411
414/697
D419,568 S * 1/2000 Baig D15/23
D423,521 S * 4/2000 Walter D15/23
D450,718 S * 11/2001 Muraro D15/25
D492,327 S * 6/2004 Albright D15/23
D504,136 S * 4/2005 Albright D15/23
D572,276 S * 7/2008 Pinther D15/23
D572,277 S * 7/2008 Pinther D15/23
D583,834 S * 12/2008 Sugiyama D15/23

(Continued)

Primary Examiner — Mark A Goodwin

(74) *Attorney, Agent, or Firm* — Marshall, Gerstein & Borun LLP

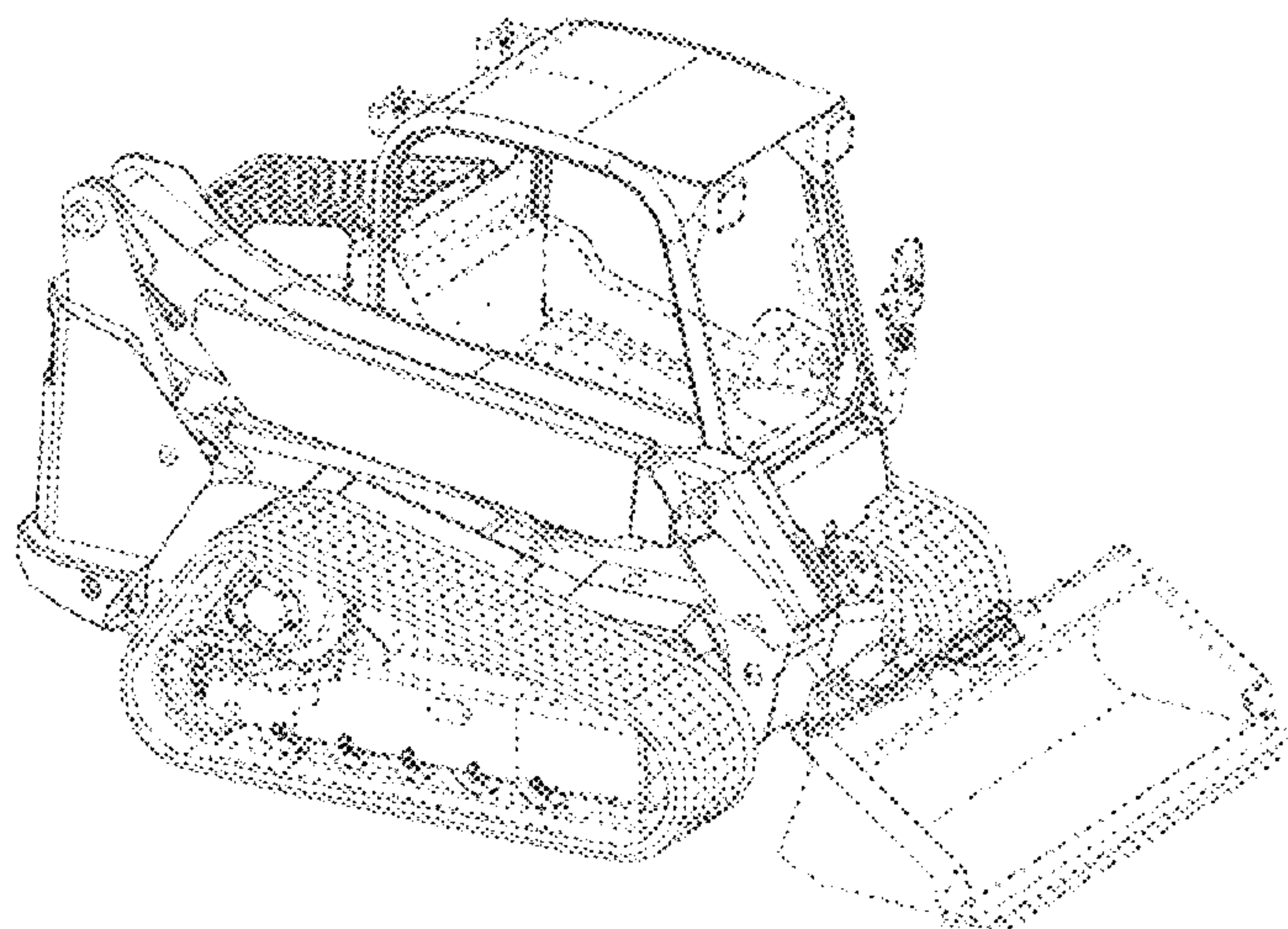
(57) **CLAIM**

The ornamental design for a skid-steer loader, as shown and described.

DESCRIPTION

FIG. 1 is a front, left-side, and top view of a skid-steer loader, showing the new design.
FIG. 2 is a top plan view of the skid-steer loader.
FIG. 3 is an enlarged front elevation view of the skid-steer loader.
FIG. 4 is a left-side elevation view of the skid-steer loader.
FIG. 5 is an enlarged rear elevation view of the skid-steer loader.
FIG. 6 is a right-side elevation view of the skid-steer loader; and,
FIG. 7 is a bottom plan view of the skid-steer loader.
The broken lines represent elements of the skid-steer loader that do not form part of the claimed design.

1 Claim, 7 Drawing Sheets



(56)

References Cited

U.S. PATENT DOCUMENTS

D583,835 S	*	12/2008	Sugiyama	D15/23
D600,721 S	*	9/2009	Shimomura	D15/23
D692,031 S	*	10/2013	Martin	D15/33
D790,598 S	*	6/2017	Furuki	D15/25

* cited by examiner

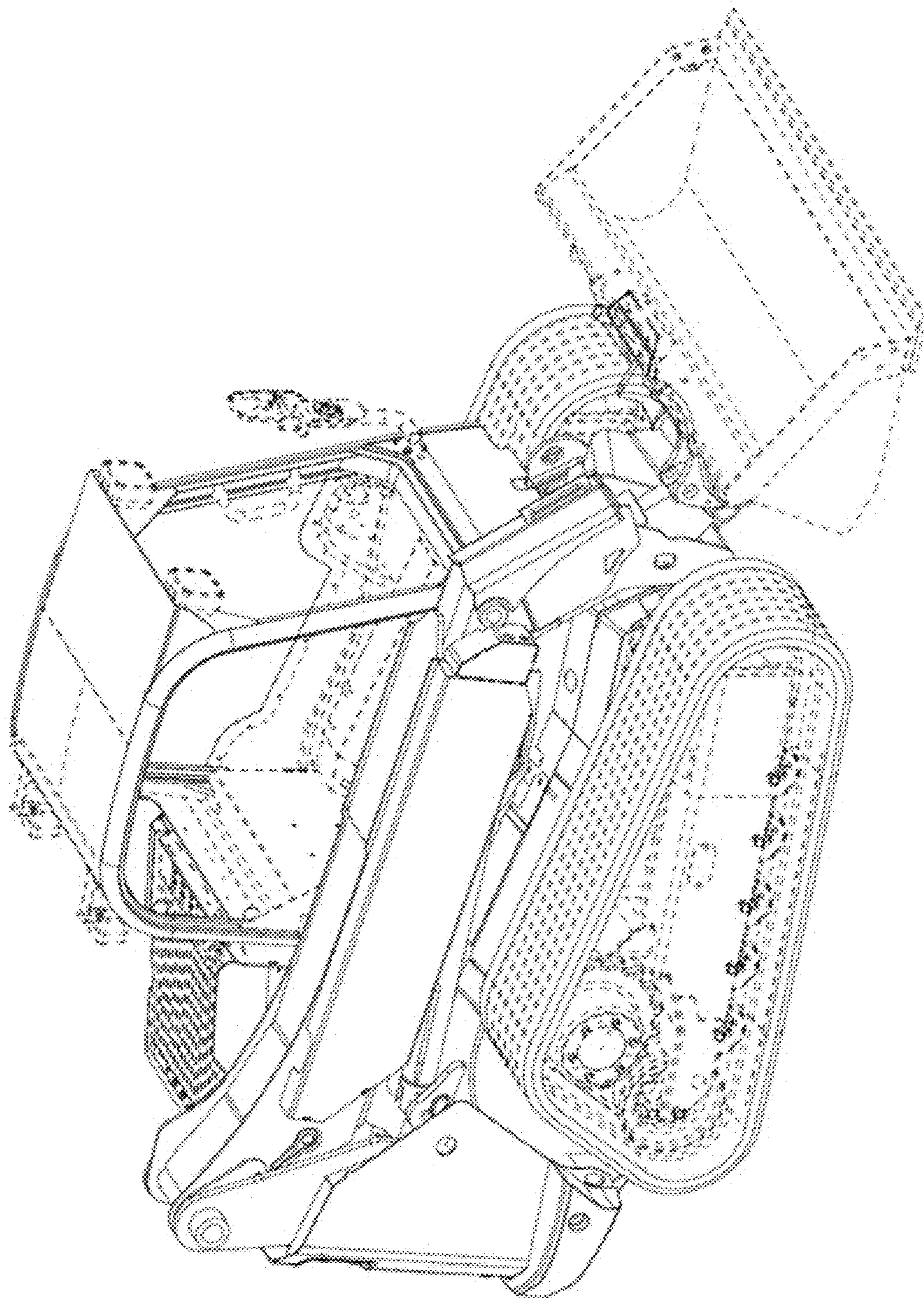


Fig. 1

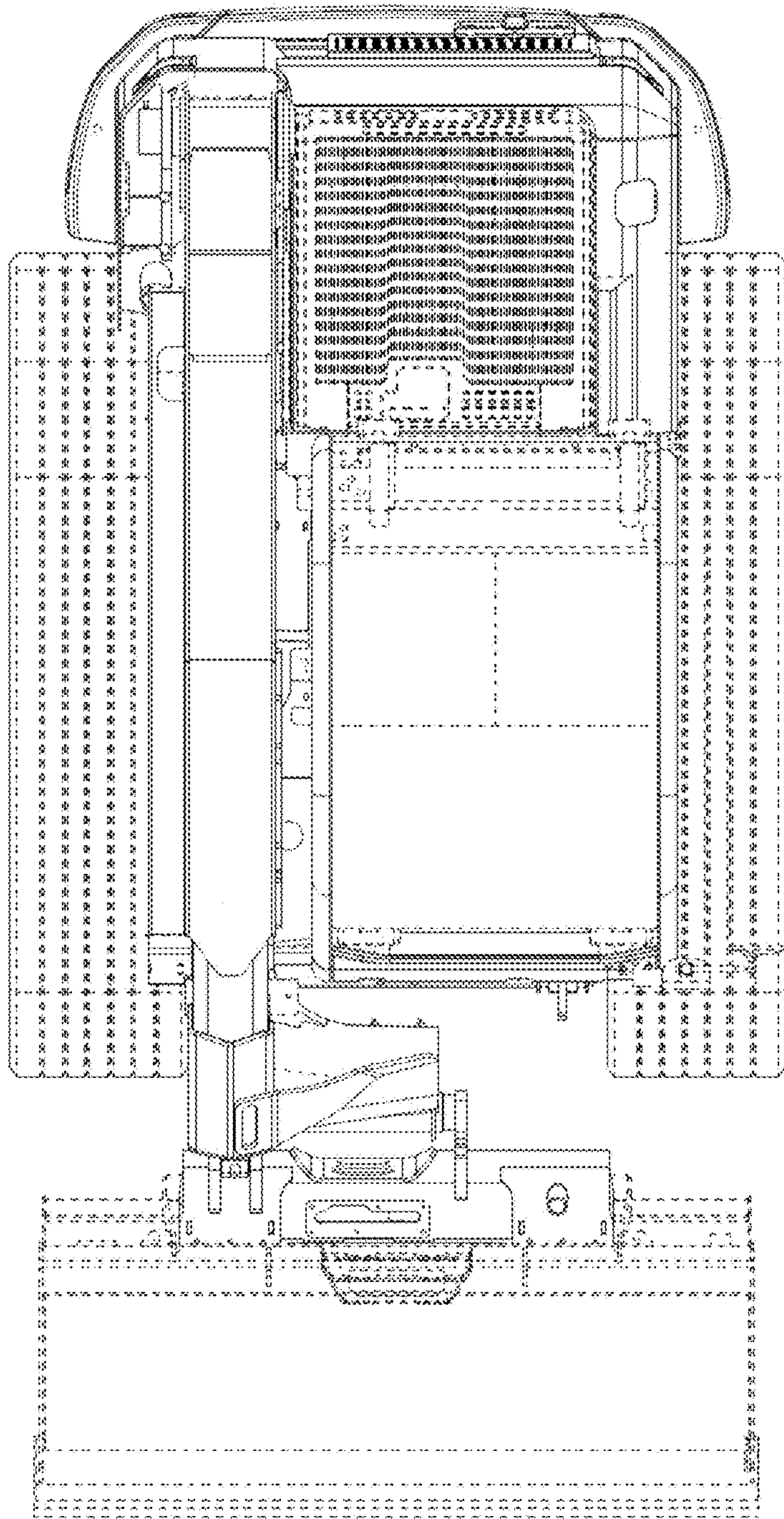


Fig. 2

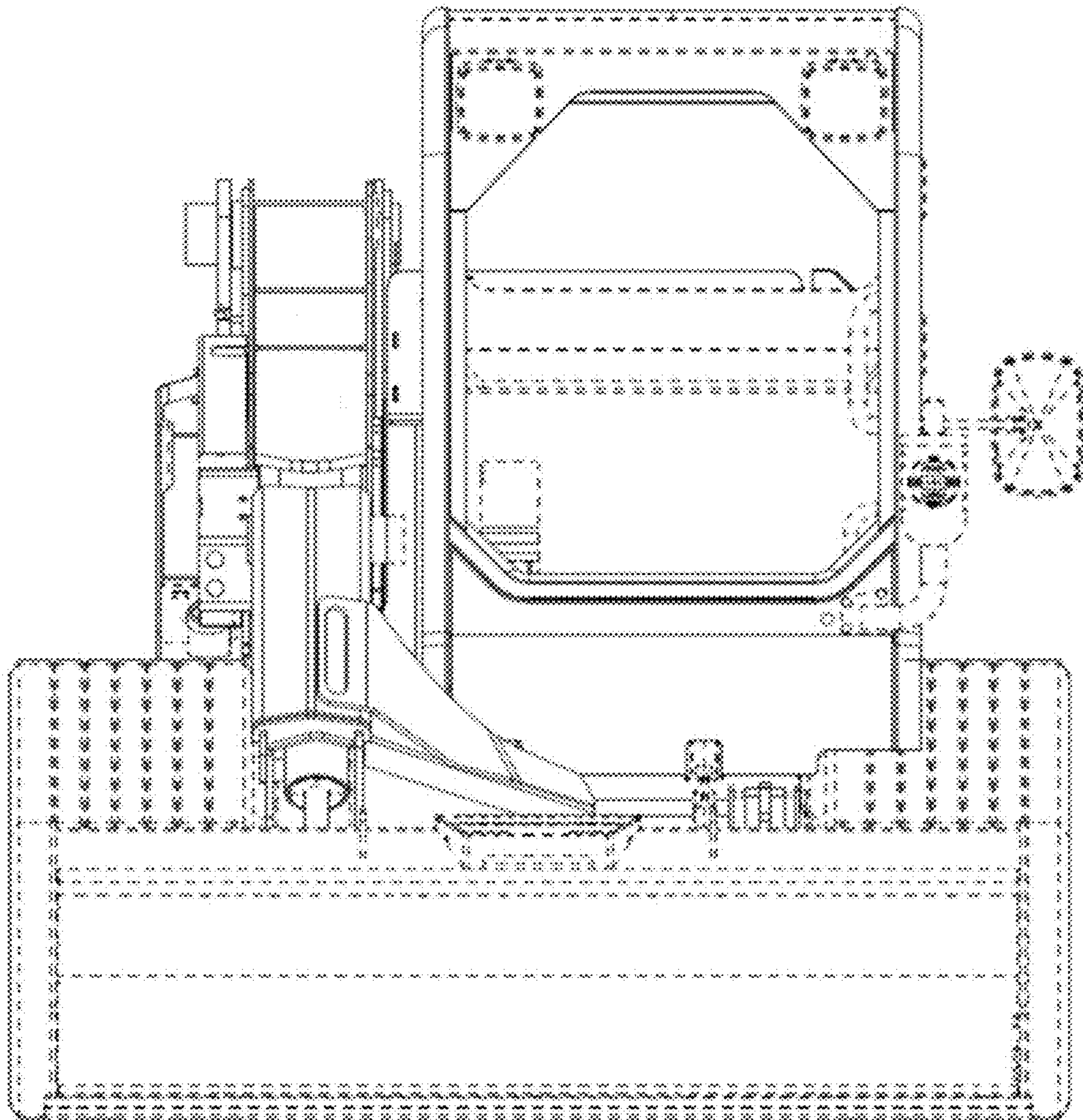


Fig. 3

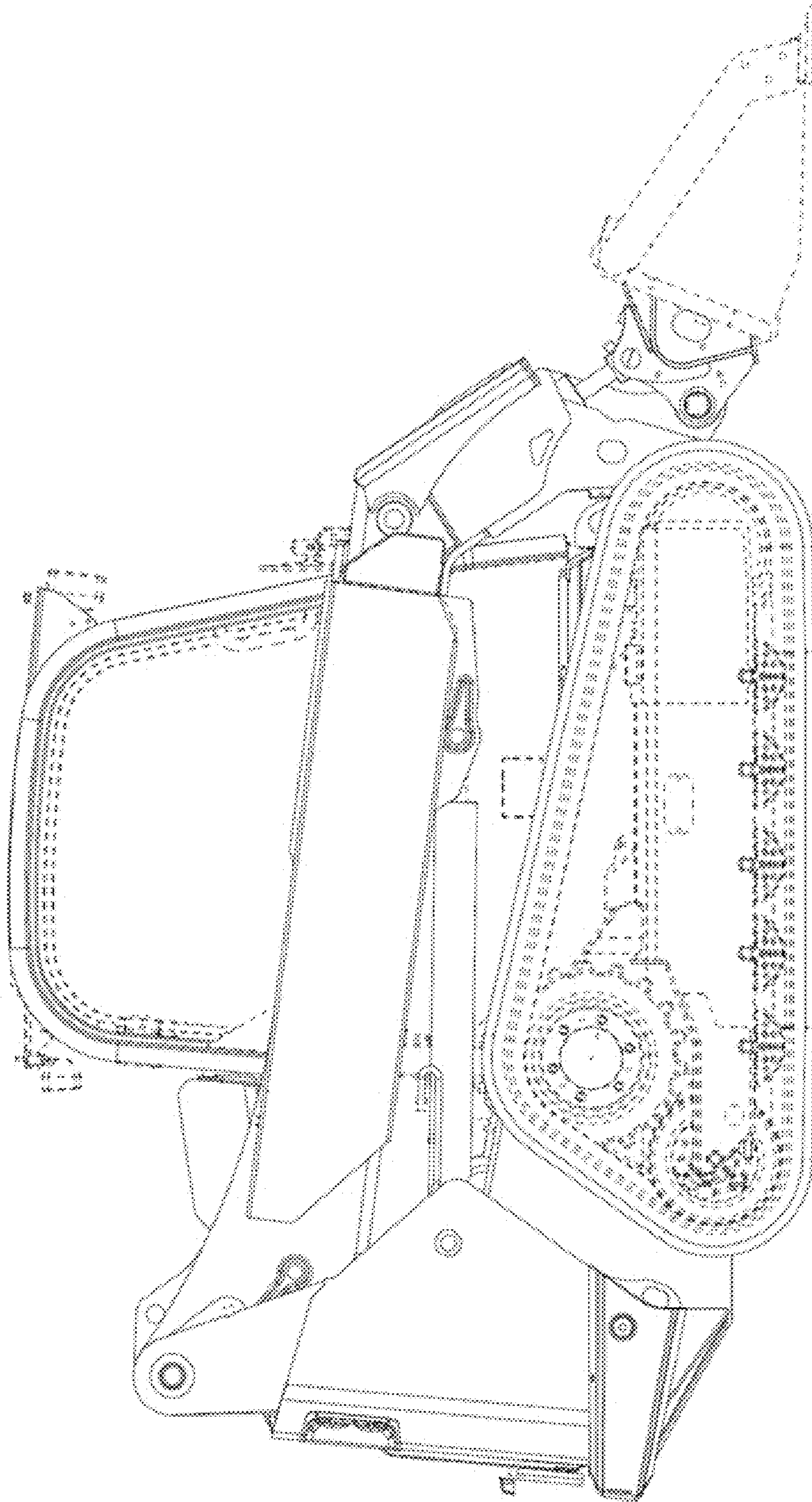


Fig. 4

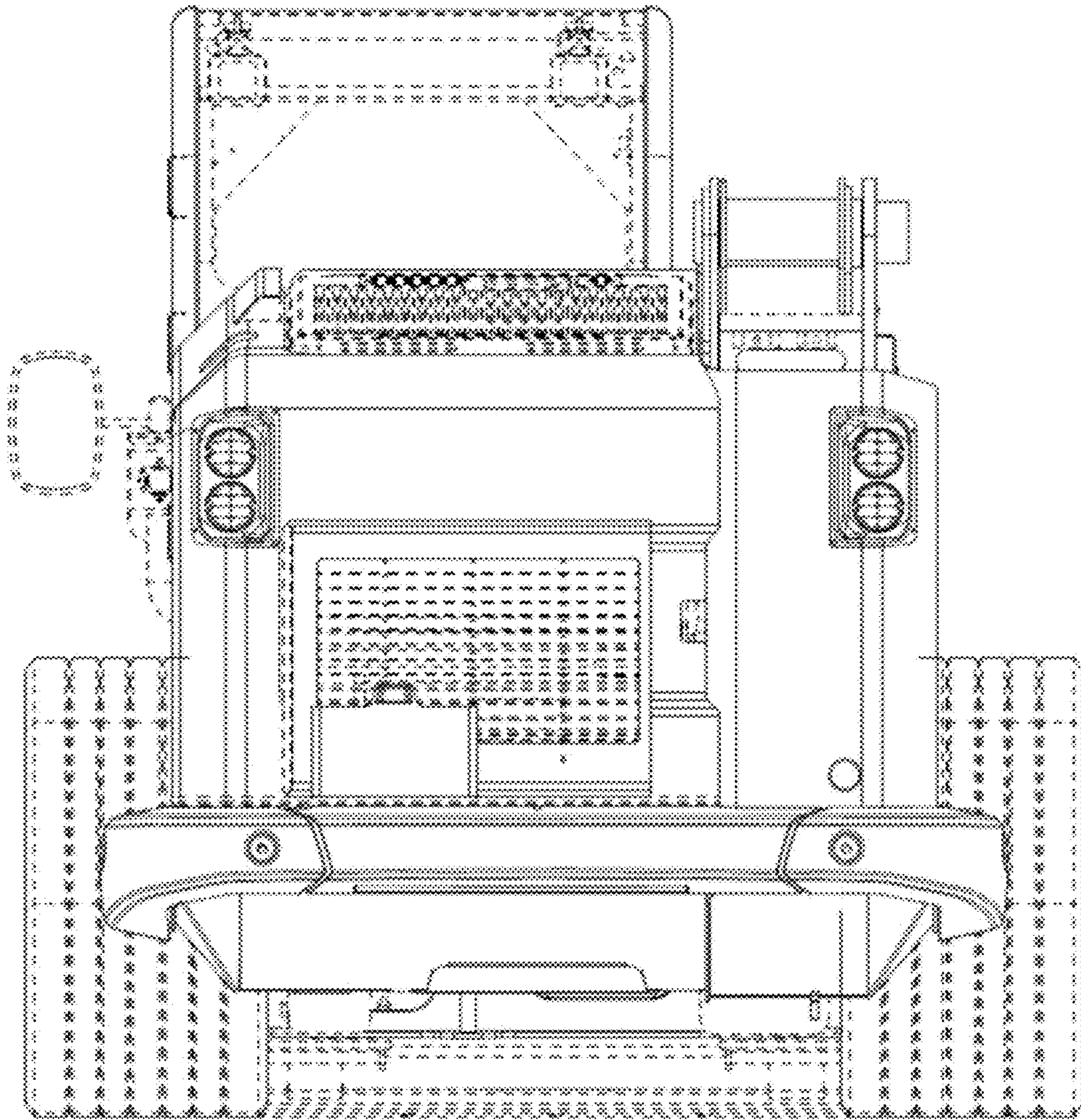


Fig. 5

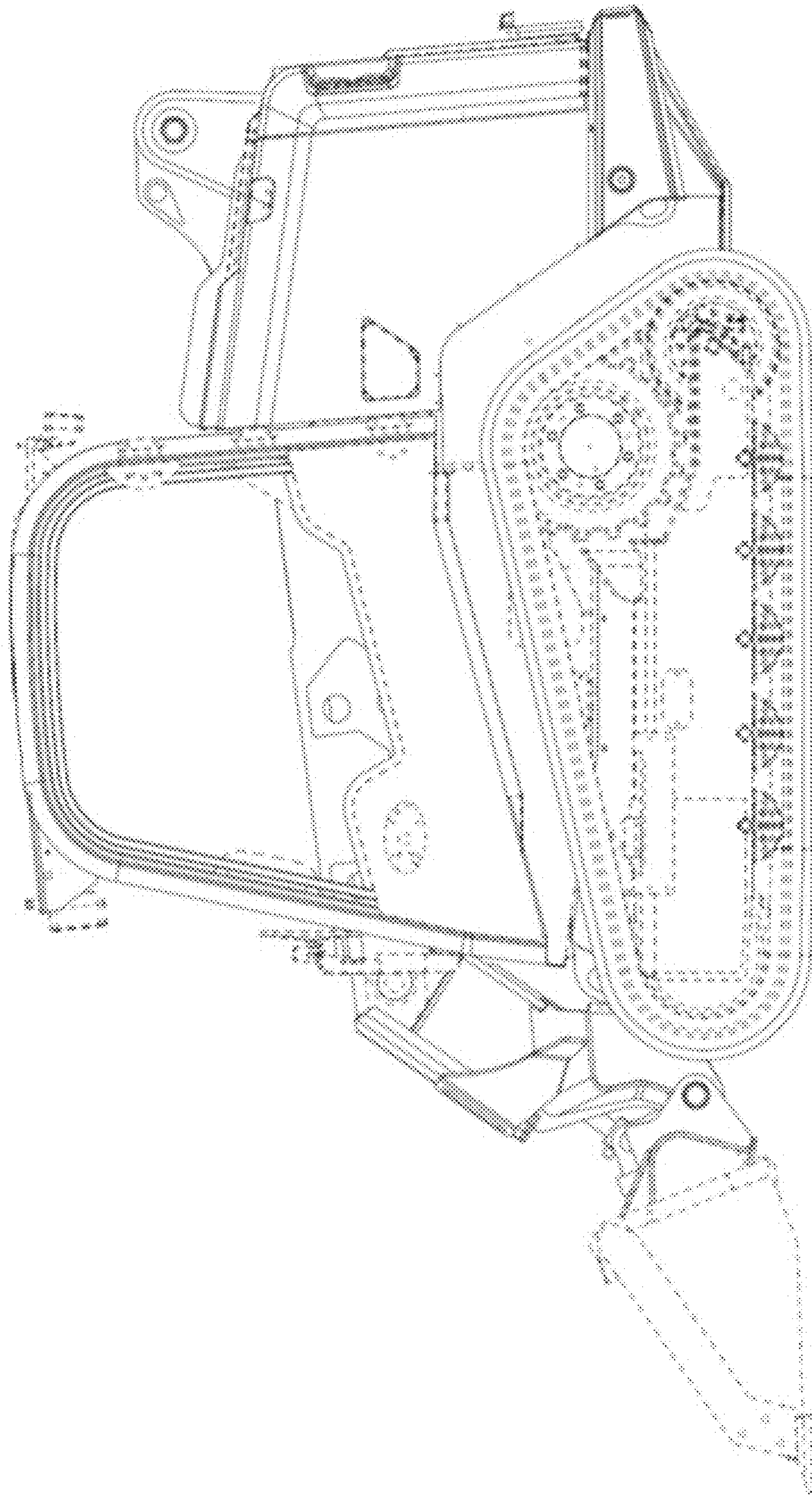


FIG. 6

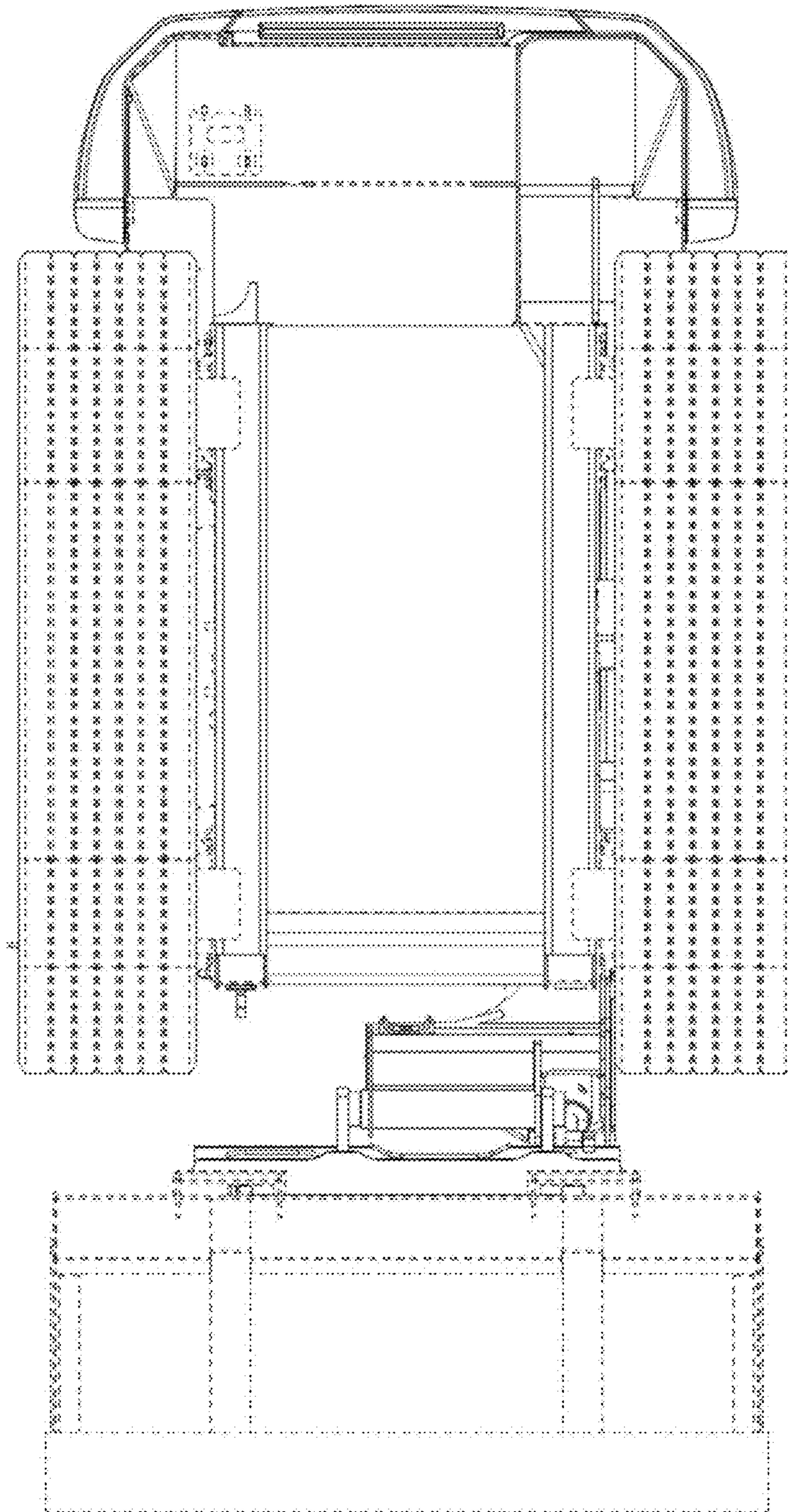


Fig. 7