



US00D839927S

(12) **United States Design Patent** (10) **Patent No.:** **US D839,927 S**
Winter et al. (45) **Date of Patent:** **** Feb. 5, 2019**

(54) **PLOW GUARD**
(71) Applicant: **Winter Equipment Company,**
Willoughby, OH (US)
(72) Inventors: **Kent Winter,** Willoughby, OH (US);
Karl Hauber, Willoughby, OH (US)
(73) Assignee: **Winter Equipment Company,**
Willoughby, OH (US)
(**) Term: **15 Years**
(21) Appl. No.: **29/634,205**
(22) Filed: **Jan. 19, 2018**
(51) **LOC (11) Cl.** **15-03**
(52) **U.S. Cl.**
USPC **D15/11; D15/28**
(58) **Field of Classification Search**
USPC D15/11, 21, 28, 32; 37/270; 280/28
CPC E01H 5/06-5/062; E01H 5/066; E01H
5/065; E01H 5/12; E01H 5/04; E02F
3/76-3/848; E02F 3/08; E02F 3/8157;
E02F 3/8152; B62B 15/00
See application file for complete search history.

(56) **References Cited**
U.S. PATENT DOCUMENTS
1,581,414 A * 4/1926 Young E02F 3/8157
172/393
1,713,882 A * 5/1929 Shaw E02F 3/8157
280/28
2,202,309 A * 5/1940 Campbell B62B 19/00
280/28
2,460,348 A * 2/1949 Henry E02F 3/8157
172/832
2,593,025 A * 4/1952 Hanson B62B 15/00
280/28
D250,713 S * 1/1979 Korpi D15/28

4,500,766 A * 2/1985 Reinhardt B23K 11/00
172/719
D291,654 S * 9/1987 Foster, Jr. 280/28
4,833,801 A * 5/1989 Winter E01H 5/061
172/701.2
4,899,472 A * 2/1990 Winter E01H 5/061
37/264
D320,397 S * 10/1991 Gomez D15/11
5,265,356 A * 11/1993 Winter E01H 5/06
37/232
D399,852 S * 10/1998 Launder D15/11
6,240,662 B1 * 6/2001 Borowiak E01H 5/061
37/270
D567,826 S * 4/2008 Clendenning D15/29
D567,827 S * 4/2008 Clendenning D15/29
7,836,615 B2 * 11/2010 Winter E01H 5/066
37/270
7,874,085 B1 * 1/2011 Winter E01H 5/061
172/701.3
8,191,287 B2 * 6/2012 Winter E01H 5/061
37/266
D680,558 S * 4/2013 Clement D15/11
8,844,173 B2 * 9/2014 Winter E01H 5/061
37/266

(Continued)

Primary Examiner — Mark A Goodwin
(74) *Attorney, Agent, or Firm* — Fay Sharpe LLP

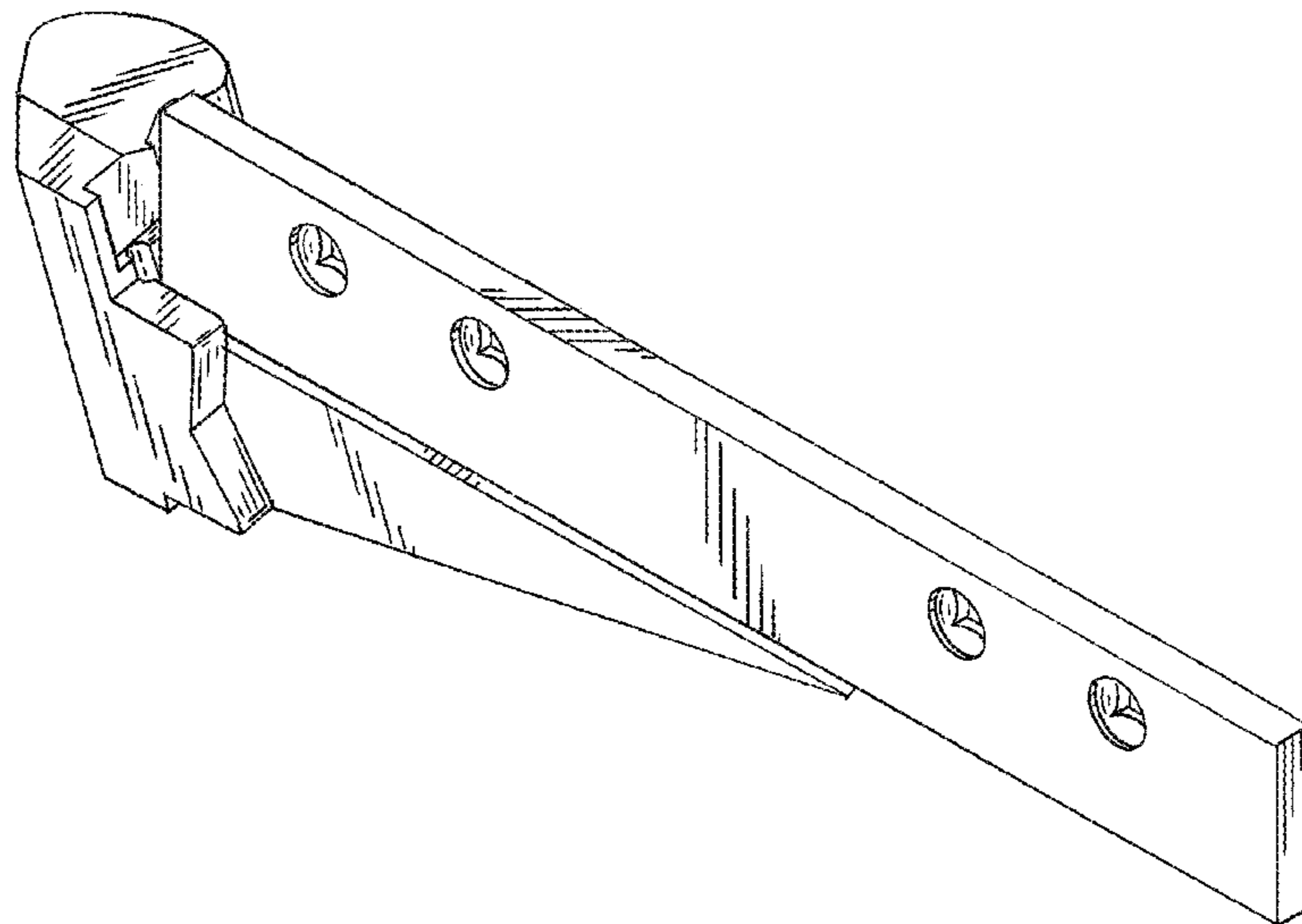
(57) **CLAIM**

The ornamental design for a plow guard, as shown and described.

DESCRIPTION

FIG. 1 is a front perspective view of a plow guard;
FIG. 2 is a rear perspective view thereof;
FIG. 3 is a front elevation view thereof;
FIG. 4 is a left elevation view thereof;
FIG. 5 is a right elevation view thereof;
FIG. 6 is a top elevation view thereof;
FIG. 7 is a bottom elevation view thereof; and,
FIG. 8 is a rear elevation view thereof.

1 Claim, 5 Drawing Sheets



(56)

References Cited

U.S. PATENT DOCUMENTS

9,163,379	B2 *	10/2015	Winter	E01H 5/061
9,428,874	B2 *	8/2016	Winter	E01H 5/061
9,562,342	B2 *	2/2017	Winter	E02F 3/8157
9,708,784	B2 *	7/2017	Winter	E01H 5/061
D799,554	S *	10/2017	Peterson	D15/11
9,821,396	B2 *	11/2017	Winter	E01H 5/061
D816,720	S *	5/2018	Winter	D15/11
D824,962	S *	8/2018	Winter	D15/11
2006/0026870	A1 *	2/2006	Karhi	A61B 5/01
					37/266
2013/0145658	A1 *	6/2013	Tordik	E01H 5/061
					37/197
2014/0373398	A1 *	12/2014	Winter	E01H 5/061
					37/266
2015/0047234	A1 *	2/2015	Winter	E01H 5/061
					37/460
2015/0135559	A1 *	5/2015	Tordik	E01H 5/066
					37/197
2016/0039030	A1 *	2/2016	Winter	E01H 5/061
					219/615
2016/0069041	A1 *	3/2016	Winter	E02F 3/8157
					37/453
2016/0333547	A1 *	11/2016	Winter	E02F 3/8152
2017/0191236	A1 *	7/2017	Winter	E01H 5/061
2018/0058026	A1 *	3/2018	Williams	E01H 5/066

* cited by examiner

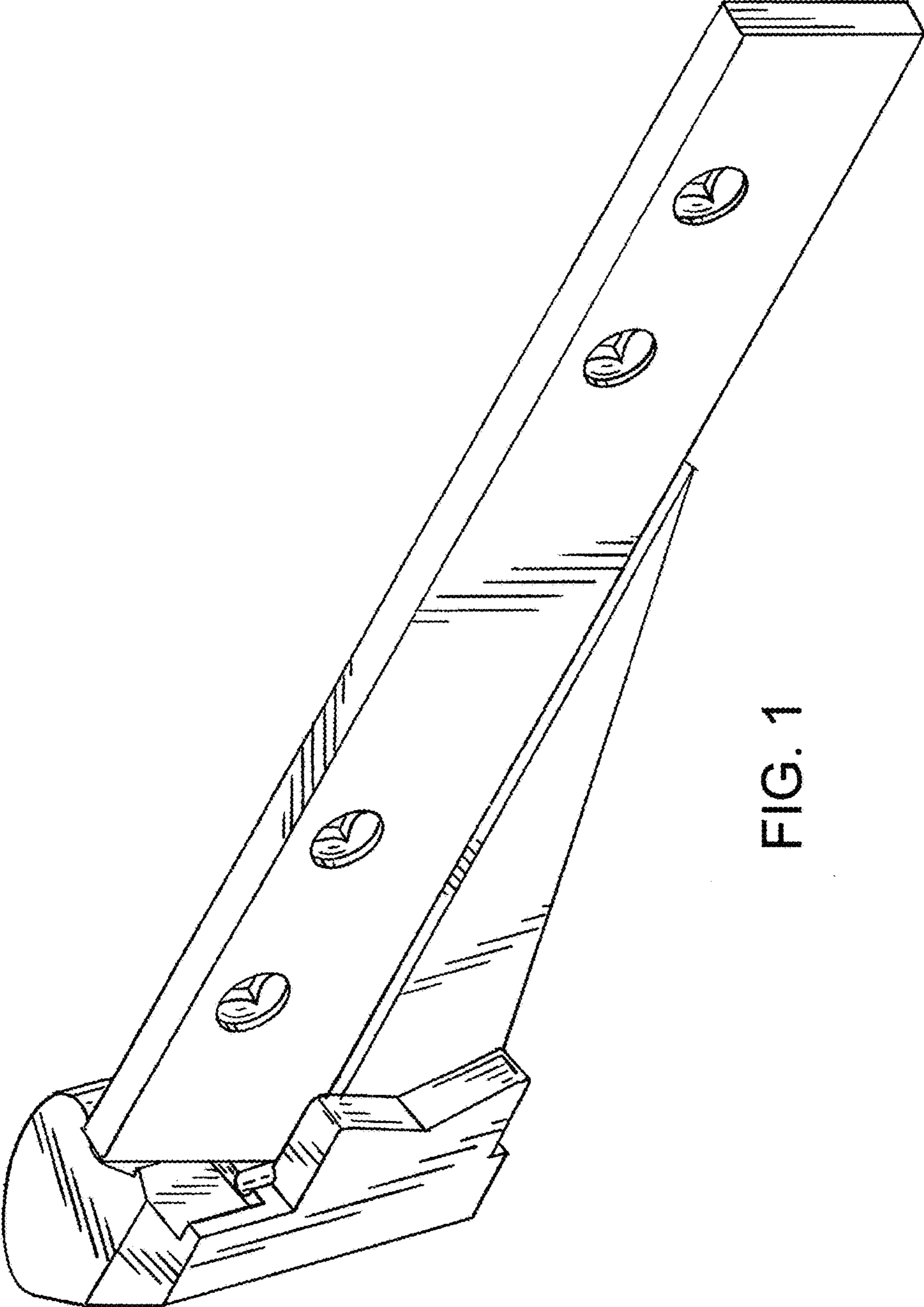


FIG. 1

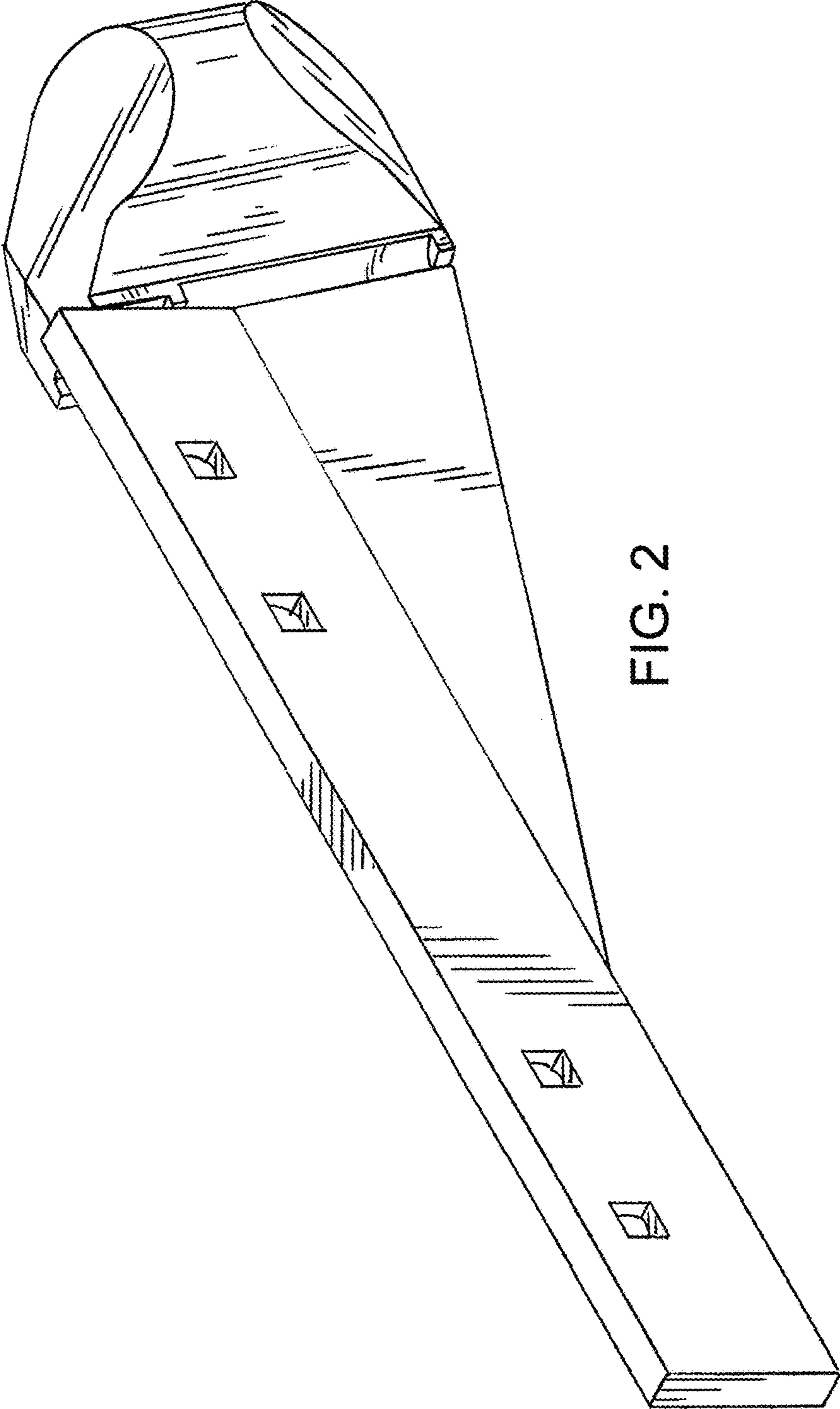


FIG. 2

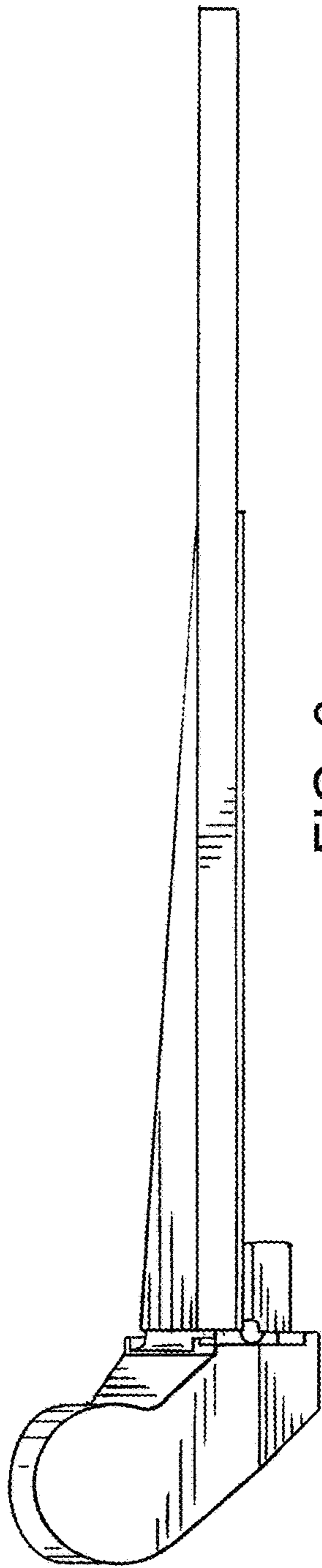


FIG. 6

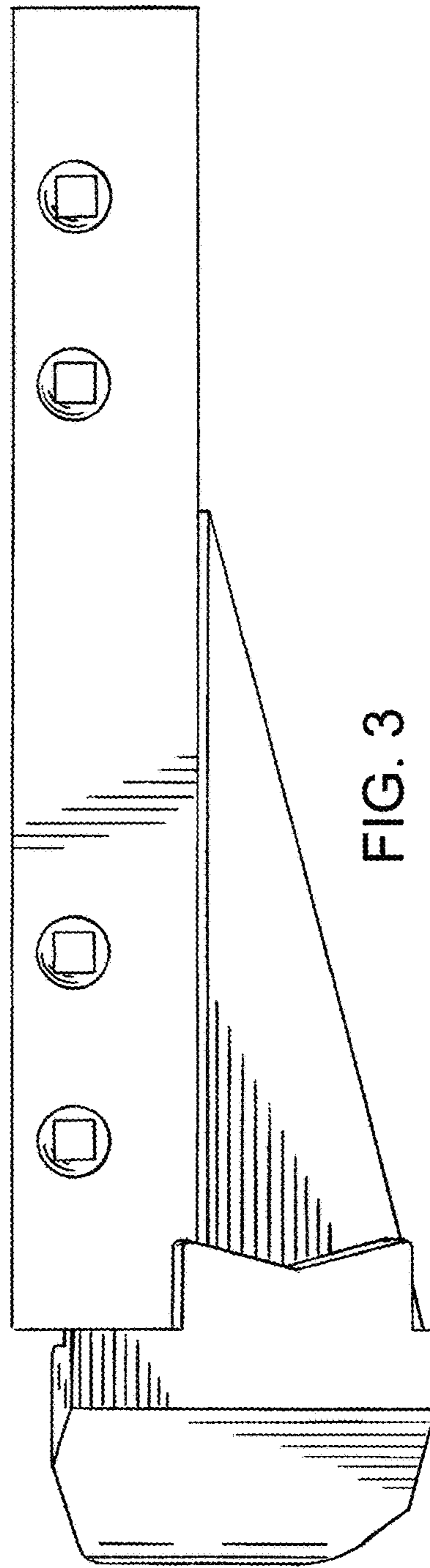


FIG. 3

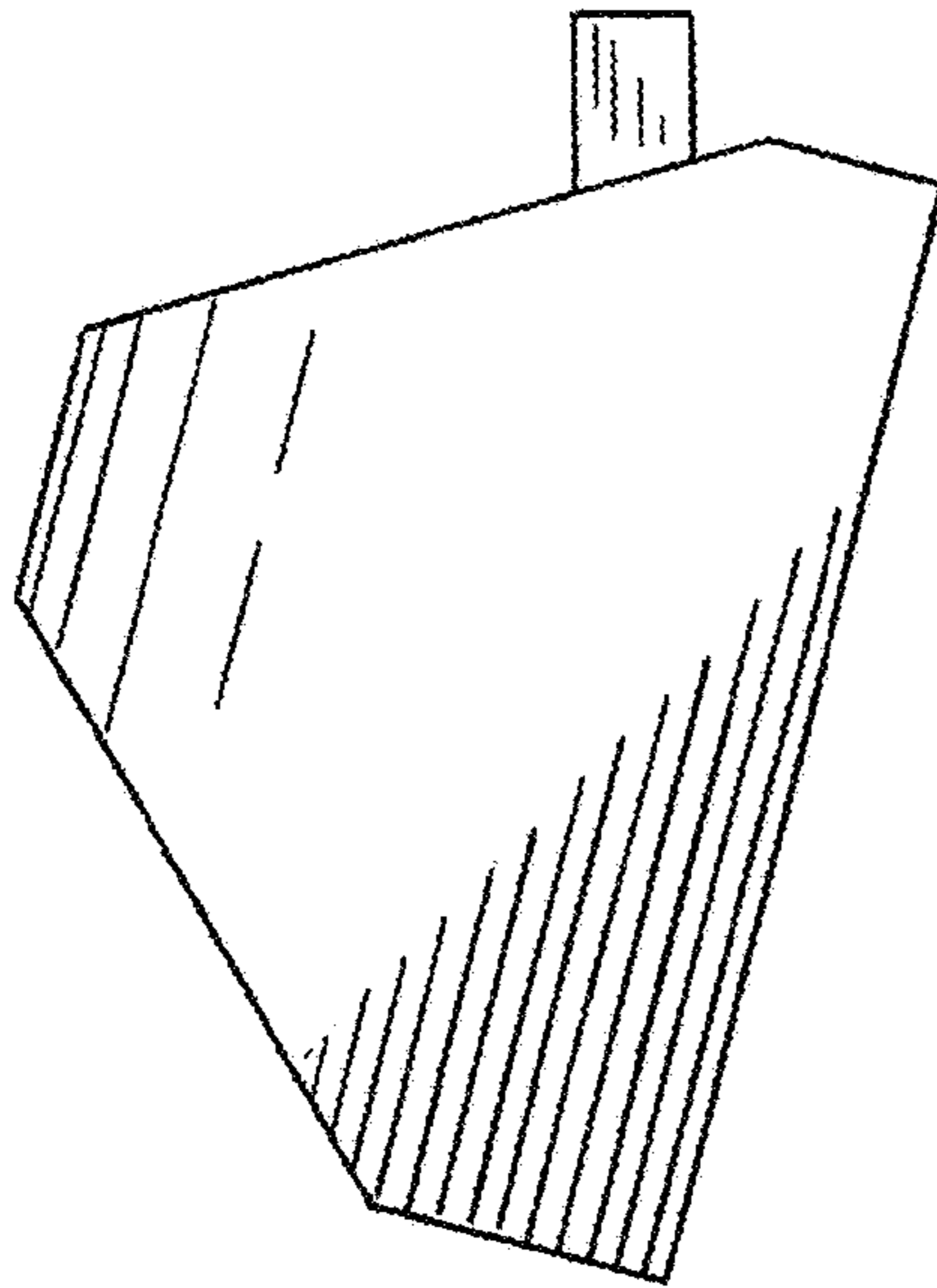


FIG. 4

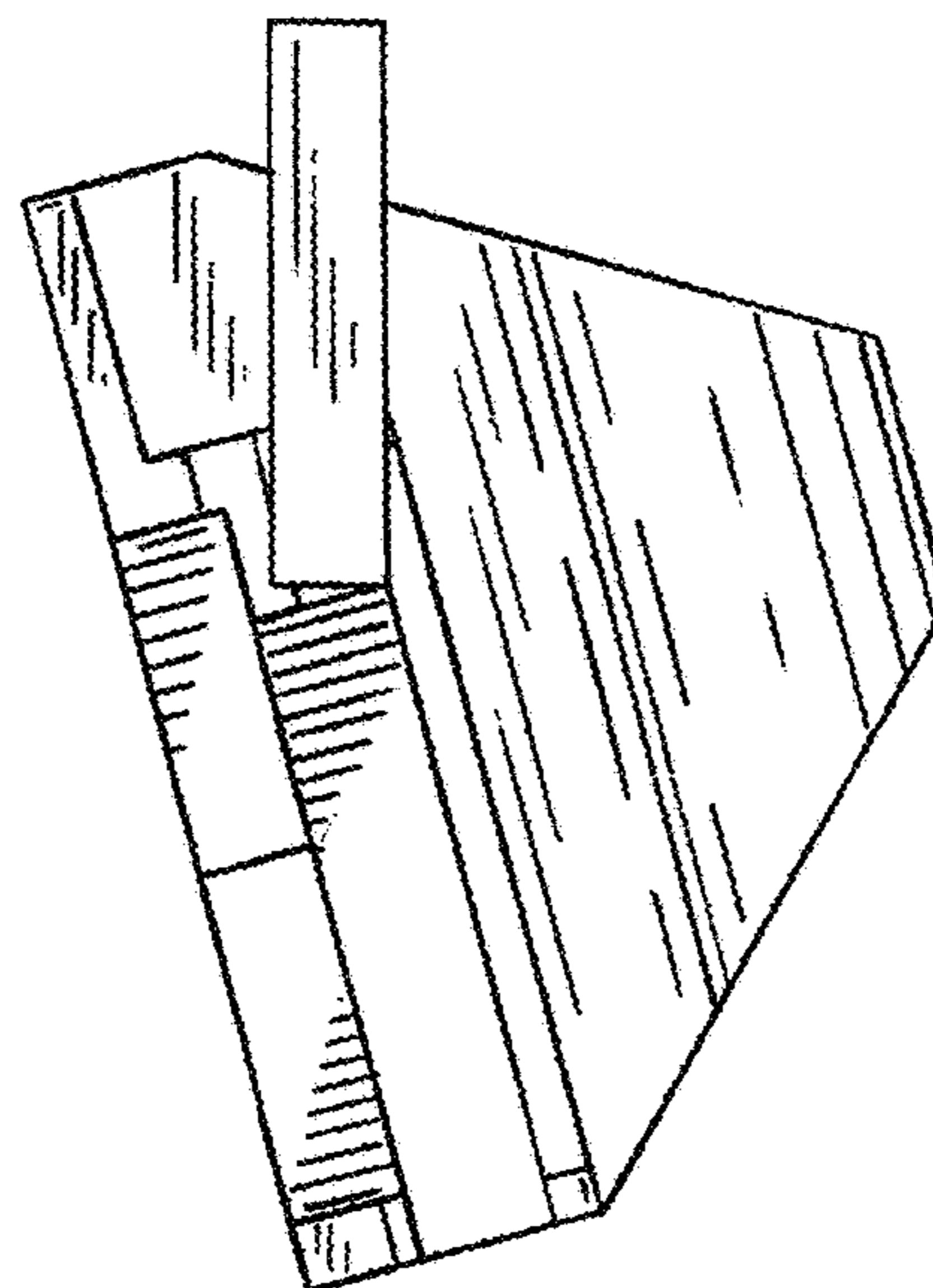


FIG. 5

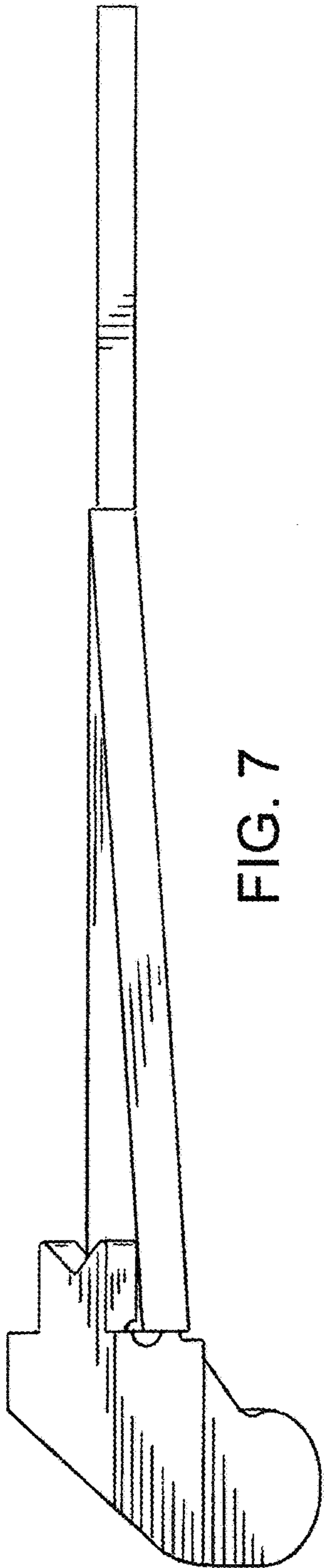


FIG. 7

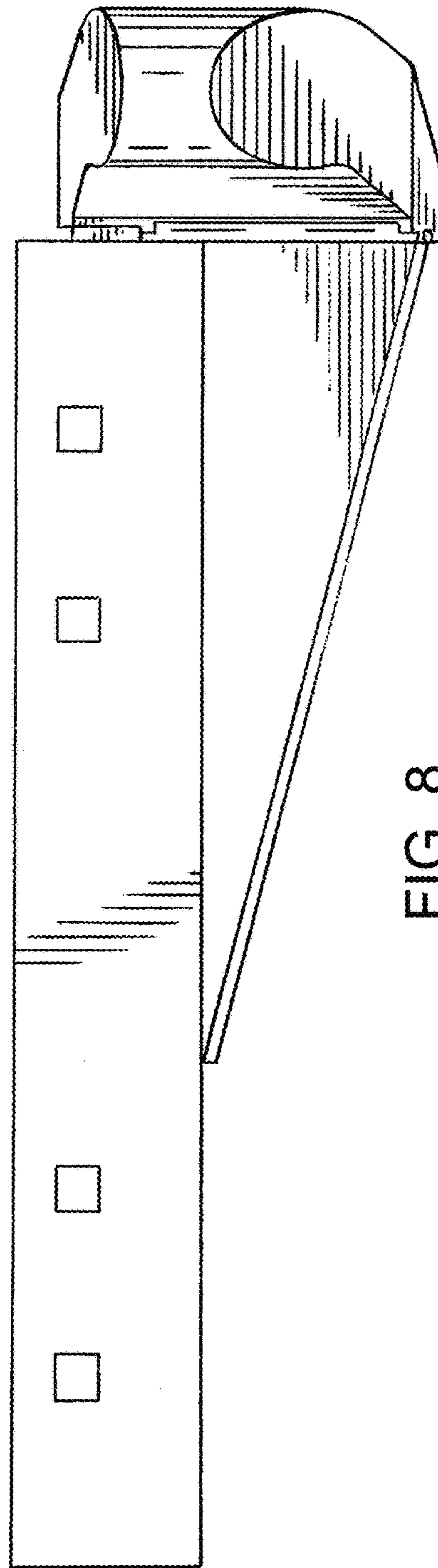


FIG. 8