



US00D839924S

(12) **United States Design Patent** (10) **Patent No.:** **US D839,924 S**
Tuang (45) **Date of Patent:** **** Feb. 5, 2019**

(54) **AIR COMPRESSOR**
(71) Applicant: **EP Family Corp.**, Walnut, CA (US)
(72) Inventor: **Bao-Yi Tuang**, Walnut, CA (US)
(**) Term: **15 Years**
(21) Appl. No.: **29/635,058**
(22) Filed: **Jan. 26, 2018**
(51) **LOC (11) Cl.** **15-02**
(52) **U.S. Cl.**
USPC **D15/9**
(58) **Field of Classification Search**
USPC D15/7-9; D23/231, 232, 225; 417/60,
417/235, 265, 321, 355, 358, 363, 359,
417/410.1, 411, 415-416, 405, 900, 269,
417/539; 60/408, 412; 184/26-37;
415/140-147; 123/495, 509; 137/565.34
CPC F02M 37/04; F02M 37/14; F04B 53/92;
F04B 1/005; F04D 13/06; F04D 29/22;
F04D 29/046; F04D 29/2266
See application file for complete search history.

D695,319 S * 12/2013 Ohm D15/9
D703,240 S * 4/2014 Frys D15/7
D712,933 S * 9/2014 DeOreo D15/7
D725,678 S * 3/2015 Sekula D15/7
D737,167 S * 8/2015 Lambinet D15/7
D754,209 S * 4/2016 Chou D15/7
D769,944 S * 10/2016 Sheedy D15/9
D778,959 S * 2/2017 Marini D15/7
D828,404 S * 9/2018 Gan D15/9

* cited by examiner

Primary Examiner — Ralf Seifert
(74) *Attorney, Agent, or Firm* — Tommy S F Wang;
Wang IP Law Group, P.C.

(57) **CLAIM**

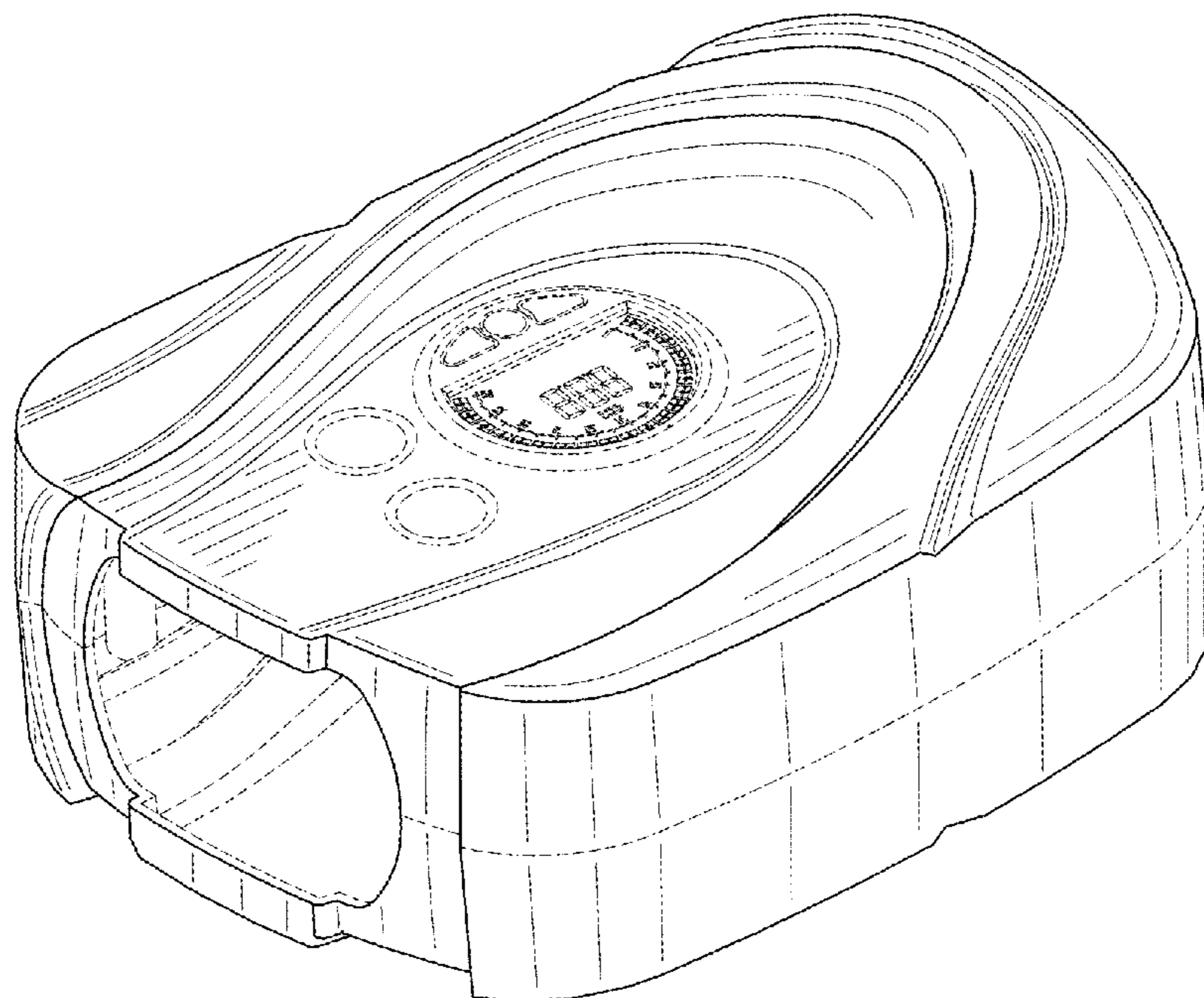
The ornamental design for an air compressor, as shown and described.

DESCRIPTION

FIG. 1 is a perspective view of an air compressor show my new design;
FIG. 2 is a front view thereof;
FIG. 3 is a rear view thereof;
FIG. 4 is a left side view thereof;
FIG. 5 is a right side view thereof,
FIG. 6 is a top view thereof; and,
FIG. 7 is a bottom view thereof.
The broken line portions of the air compressor in FIGS. 1-7 represent unclaimed portions of the claimed design and form no part thereof.

1 Claim, 5 Drawing Sheets

(56) **References Cited**
U.S. PATENT DOCUMENTS
D306,449 S * 3/1990 Shannon D15/8
D395,051 S * 6/1998 Bonzer D15/9
D471,209 S * 3/2003 Wang D15/9
D665,427 S * 8/2012 Inskip D15/9
D678,351 S * 3/2013 Wong D15/9
D689,523 S * 9/2013 Galbraith D15/7



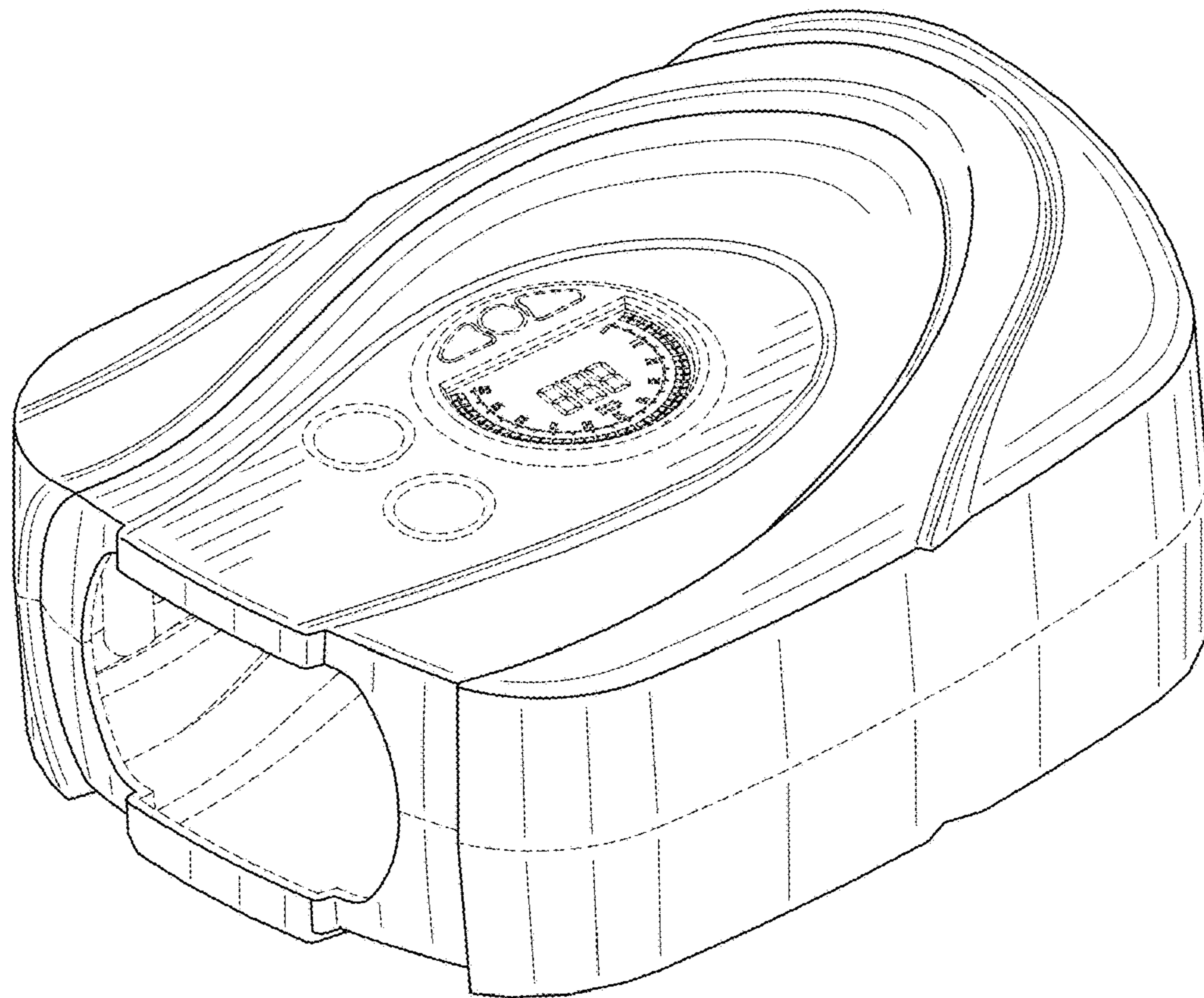


FIG. 1

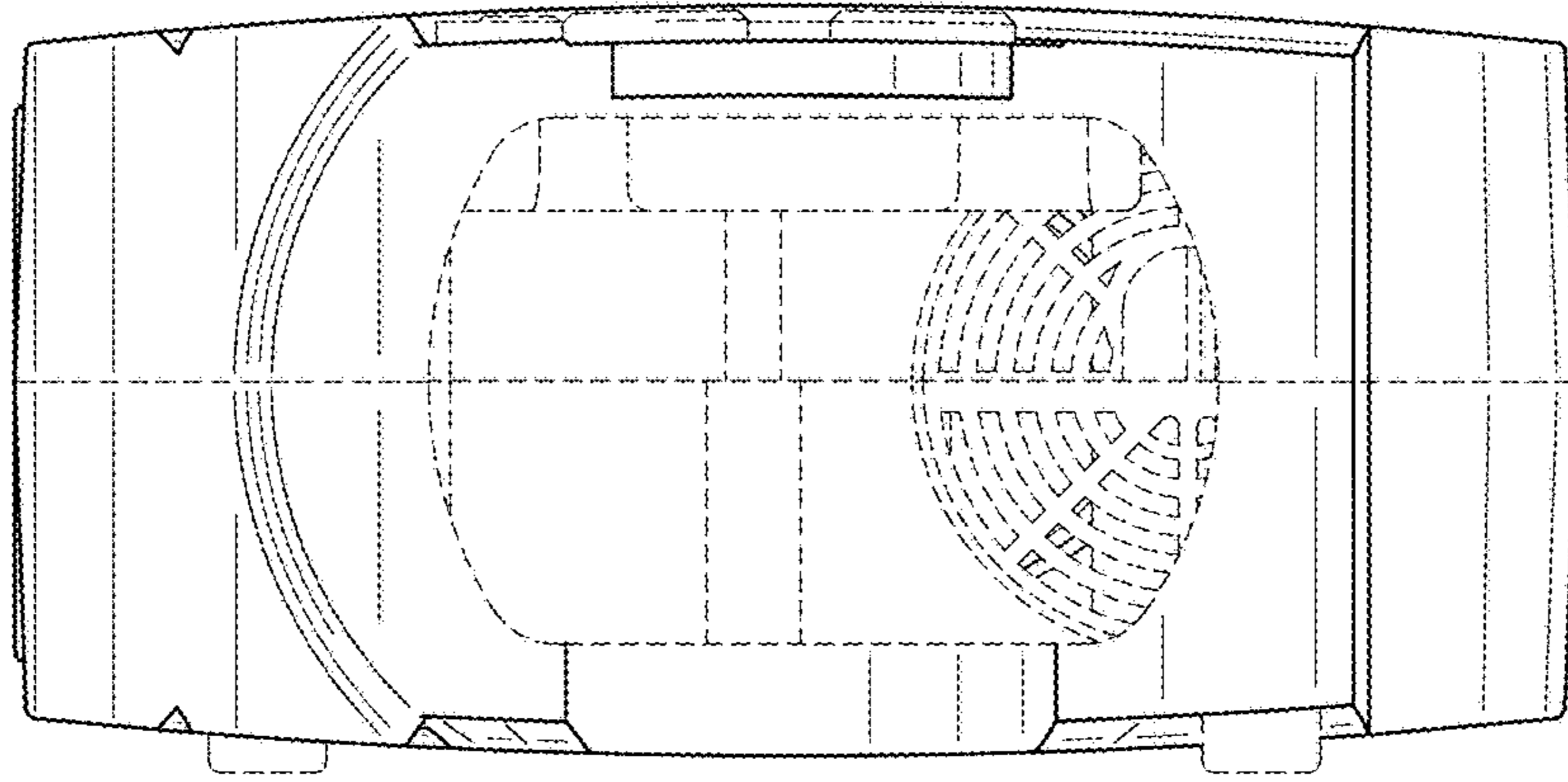


FIG. 2

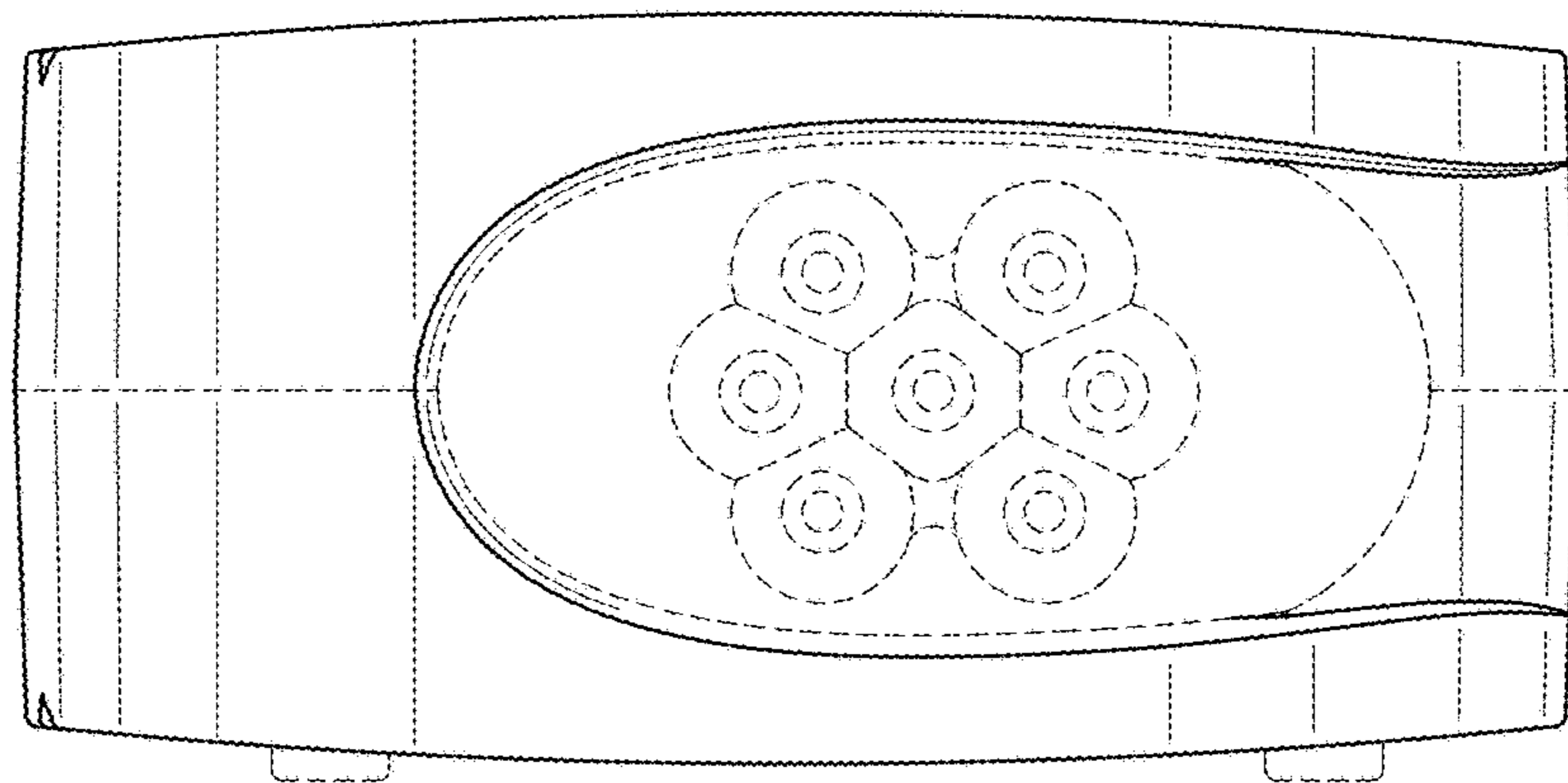


FIG. 3

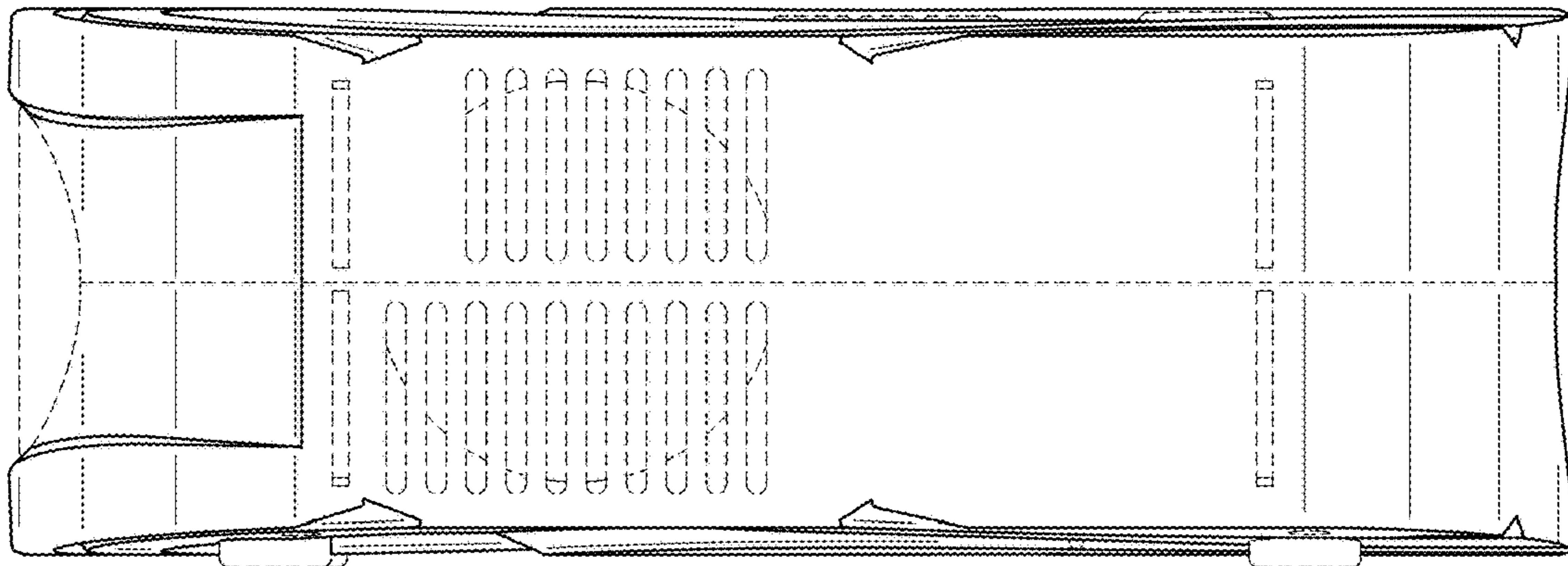


FIG. 4

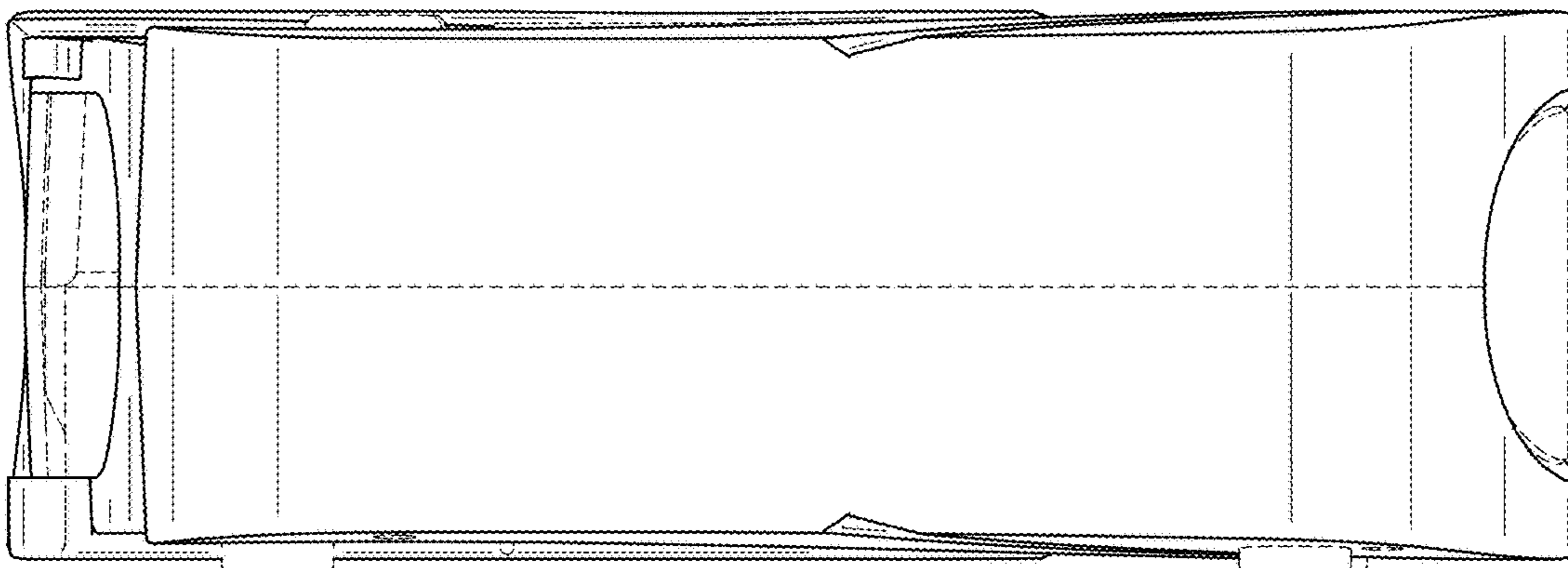


FIG. 5

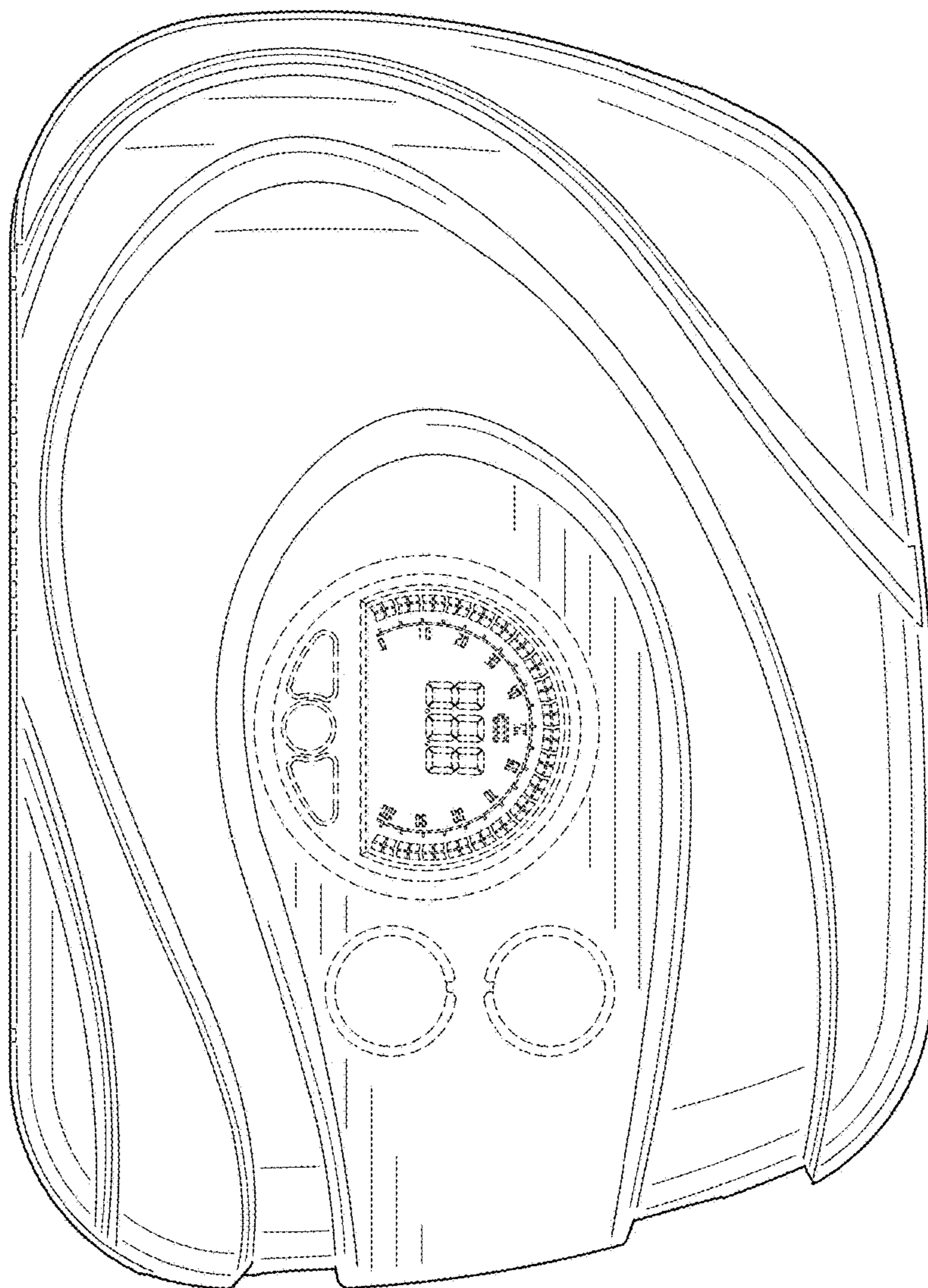


FIG. 6

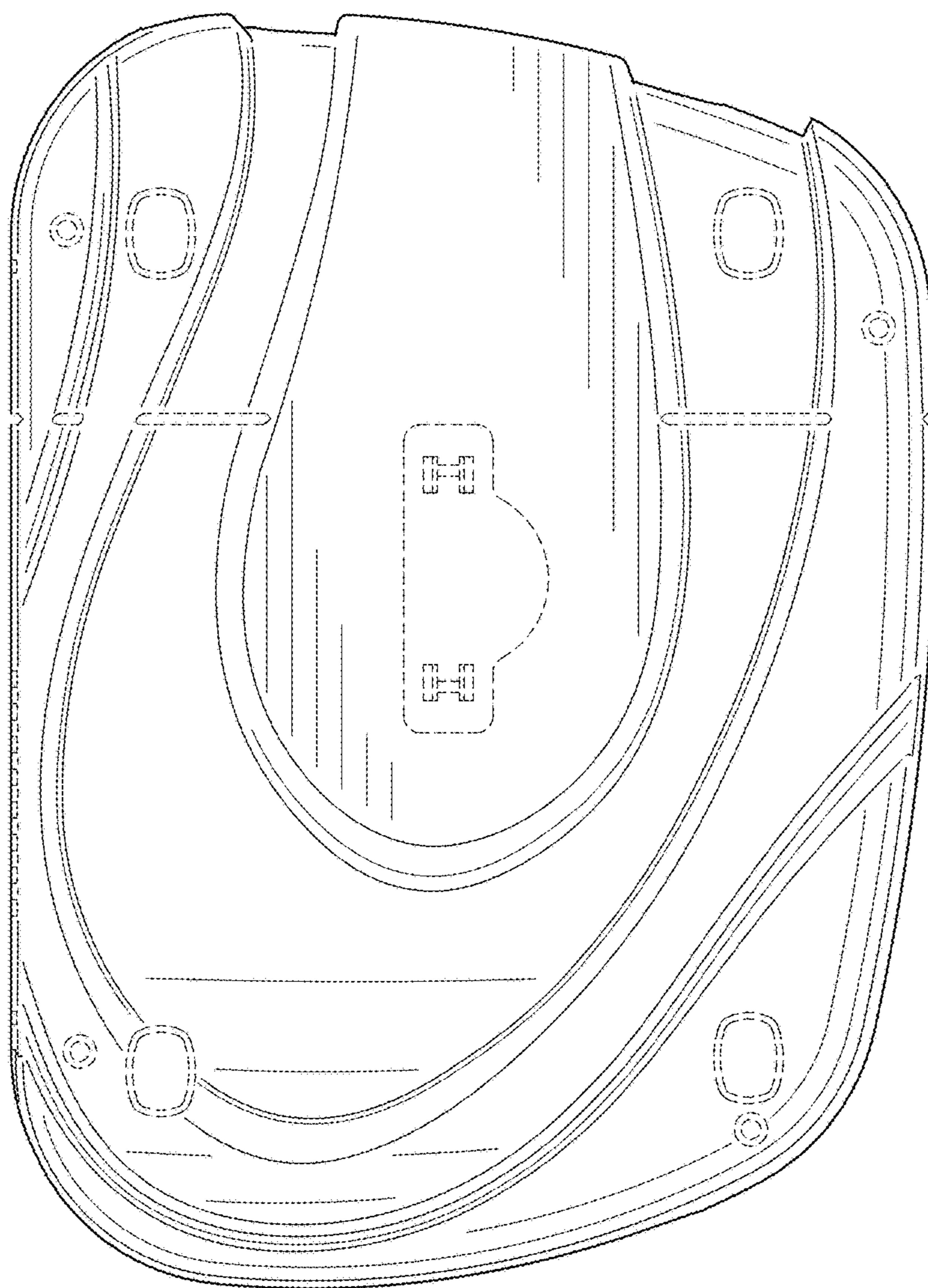


FIG. 7