



US00D839923S

(12) **United States Design Patent** (10) **Patent No.:** **US D839,923 S**  
**Hariri** (45) **Date of Patent:** **\*\* Feb. 5, 2019**

(54) **AQUARIUM AIR PUMP**

(71) Applicant: **Aliasghar Hariri**, Toronto (CA)

(72) Inventor: **Aliasghar Hariri**, Toronto (CA)

(\*\*) Term: **15 Years**

(21) Appl. No.: **29/617,678**

(22) Filed: **Sep. 15, 2017**

(51) **LOC (11) Cl.** ..... **15-02**

(52) **U.S. Cl.**  
 USPC ..... **D15/8**

(58) **Field of Classification Search**  
 USPC ..... D15/7-9; D23/231, 232, 225; 417/60,  
 417/235, 265, 321, 355, 358, 363, 359,  
 417/410.1, 411, 415-416, 405, 900, 269,  
 417/539; 60/408, 412; 184/26-37;  
 415/140-147; 123/495, 509; 137/565.34  
 CPC ..... F02M 37/04; F02M 37/14; F04B 53/92;  
 F04B 1/005; F04D 13/06; F04D 29/22;  
 F04D 29/046; F04D 29/2266  
 See application file for complete search history.

D589,533 S \* 3/2009 Anderson ..... D15/8  
 D598,472 S \* 8/2009 Anderson ..... D15/7  
 D703,240 S \* 4/2014 Frys ..... D15/7  
 D720,449 S \* 12/2014 Galbraith ..... D24/111  
 D725,678 S \* 3/2015 Sekula ..... D15/7

\* cited by examiner

*Primary Examiner* — Ralf Seifert  
 (74) *Attorney, Agent, or Firm* — Lorelei G. Graham

(57) **CLAIM**

The ornamental design for the aquarium air pump, as shown and described.

**DESCRIPTION**

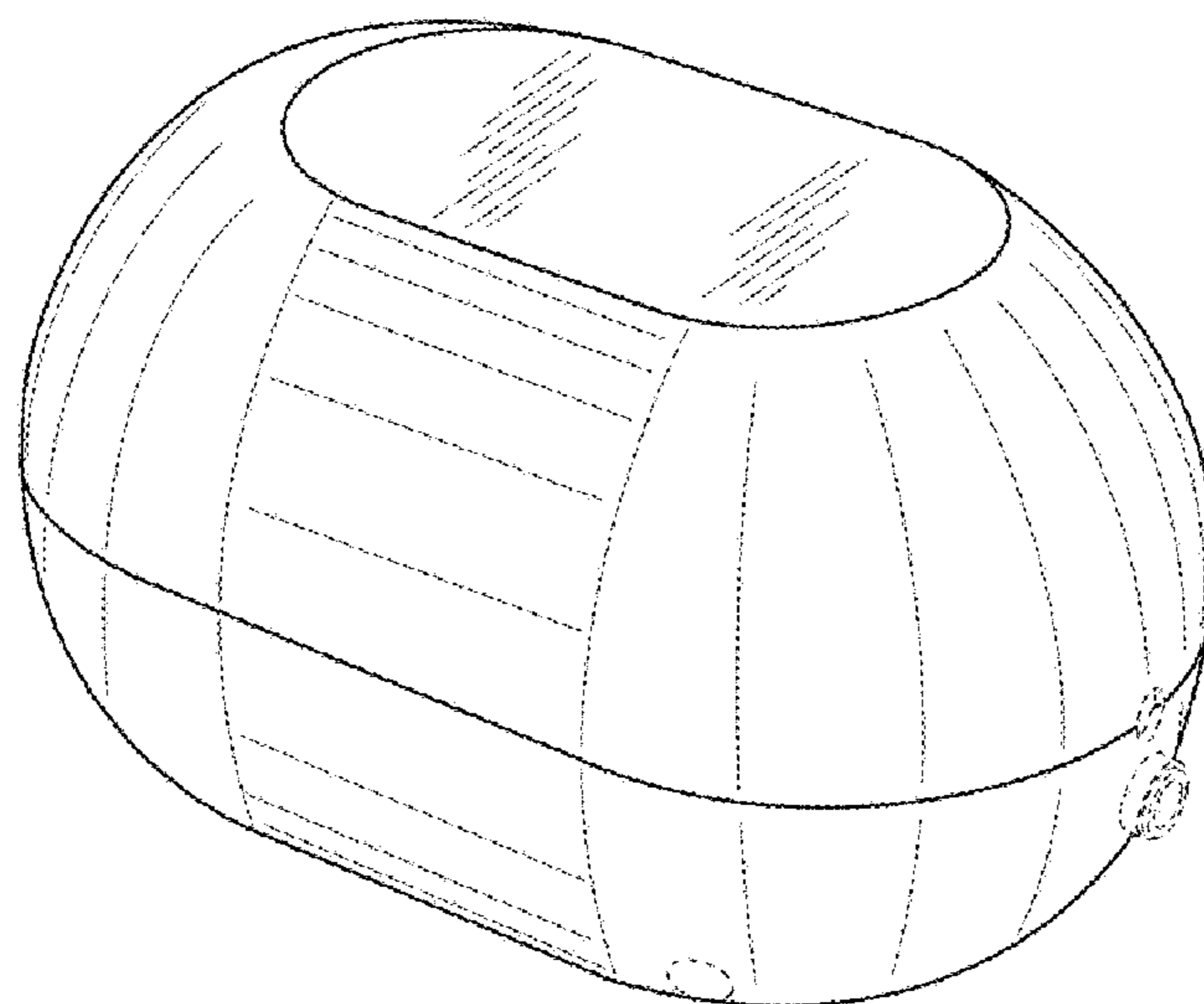
FIG. 1 is a top perspective view of the aquarium air pump. FIG. 2 is a bottom perspective view of the aquarium air pump. FIG. 3 is a right side view of the aquarium air pump. FIG. 4 is a front view of the aquarium air pump. FIG. 5 is a left side view of the aquarium air pump. FIG. 6 is a back view of the aquarium air pump. FIG. 7 is a top view of the aquarium air pump; and, FIG. 8 is a bottom view of the aquarium air pump. The broken lines shown in the drawings are for the purpose of illustrating portions of the article that form no part of the claim design.

(56) **References Cited**

U.S. PATENT DOCUMENTS

D400,891 S \* 11/1998 Mermillod ..... D15/8  
 D436,361 S \* 1/2001 Yu-Chin ..... D15/8

**1 Claim, 5 Drawing Sheets**



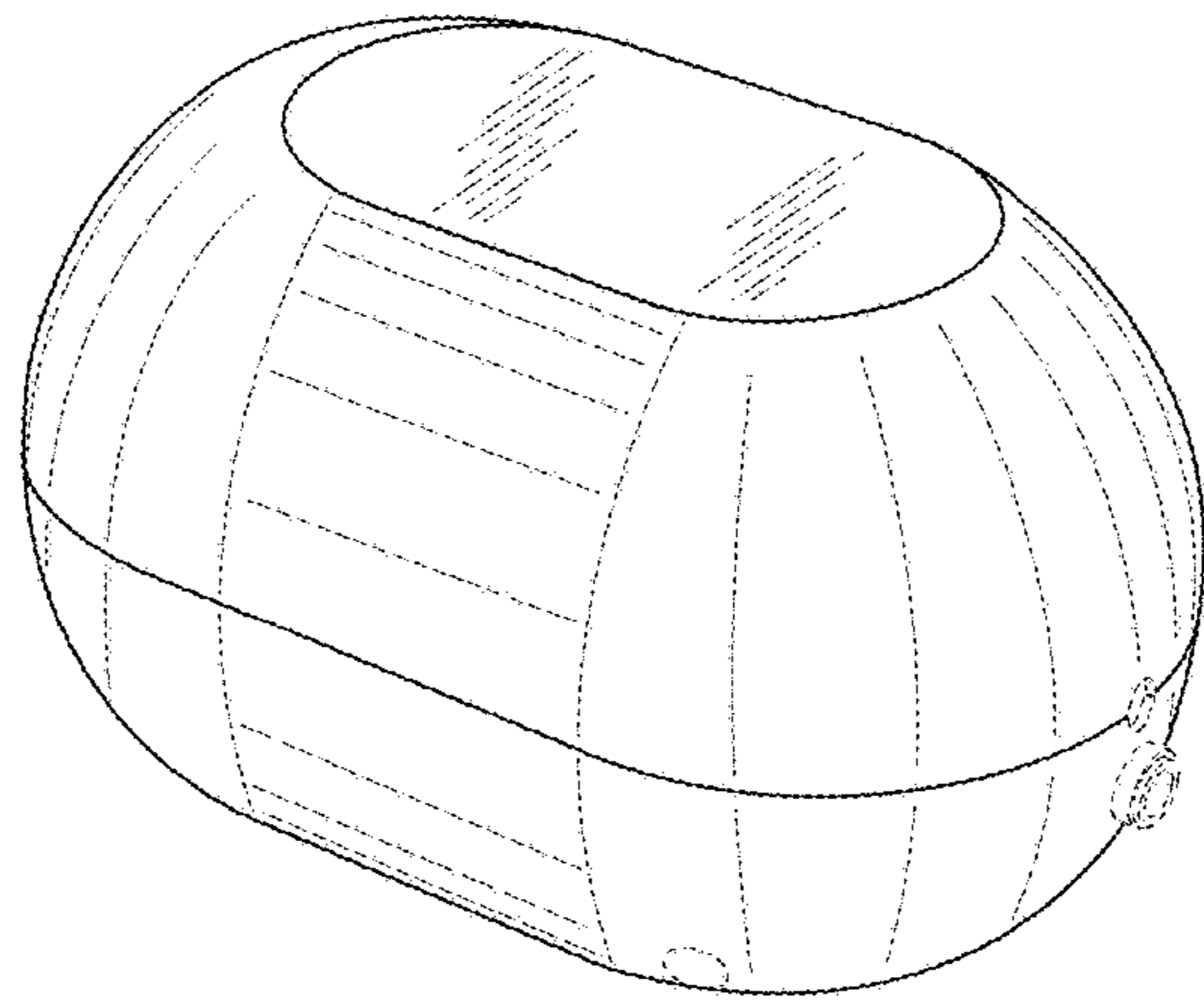


FIG. 1

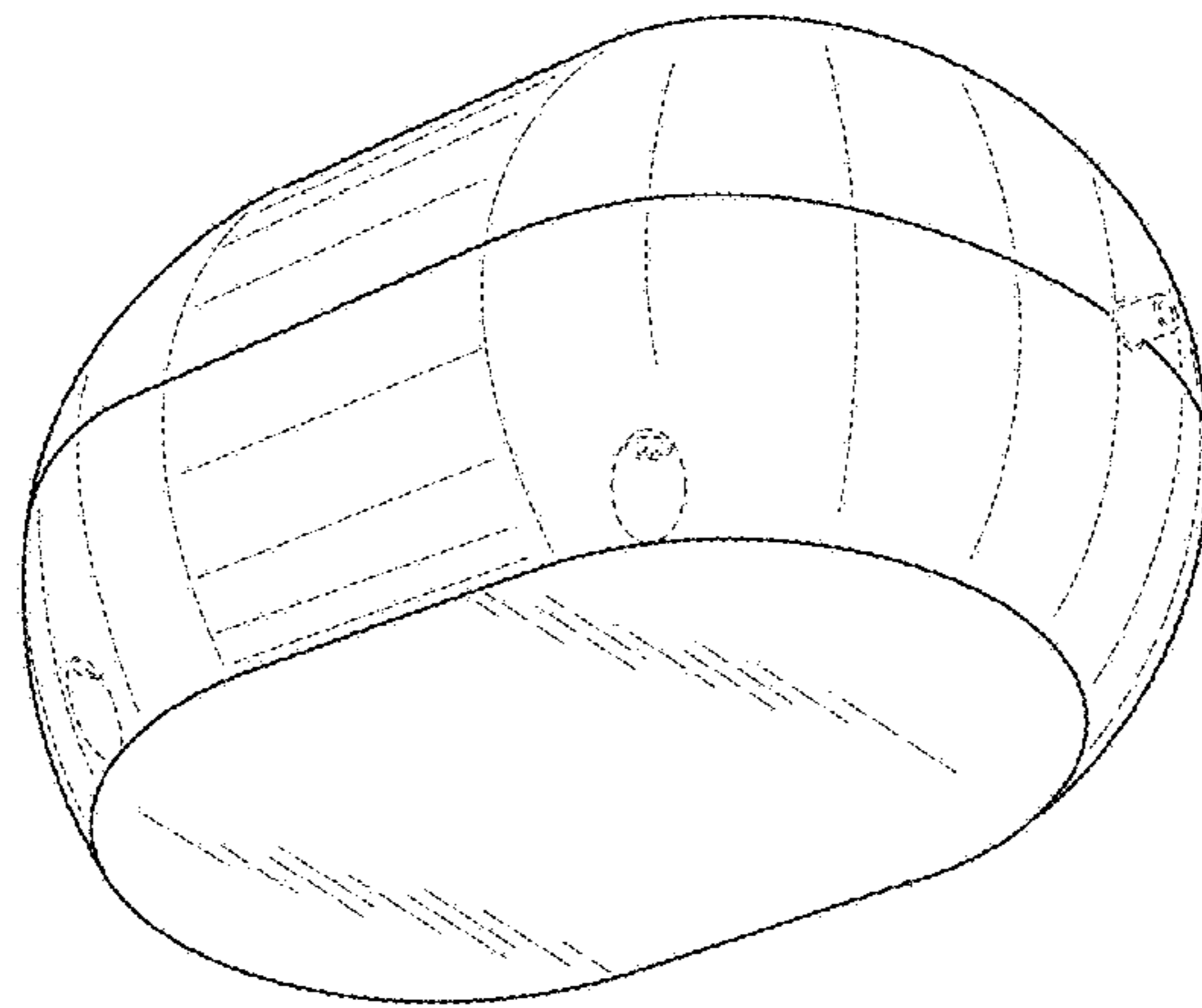
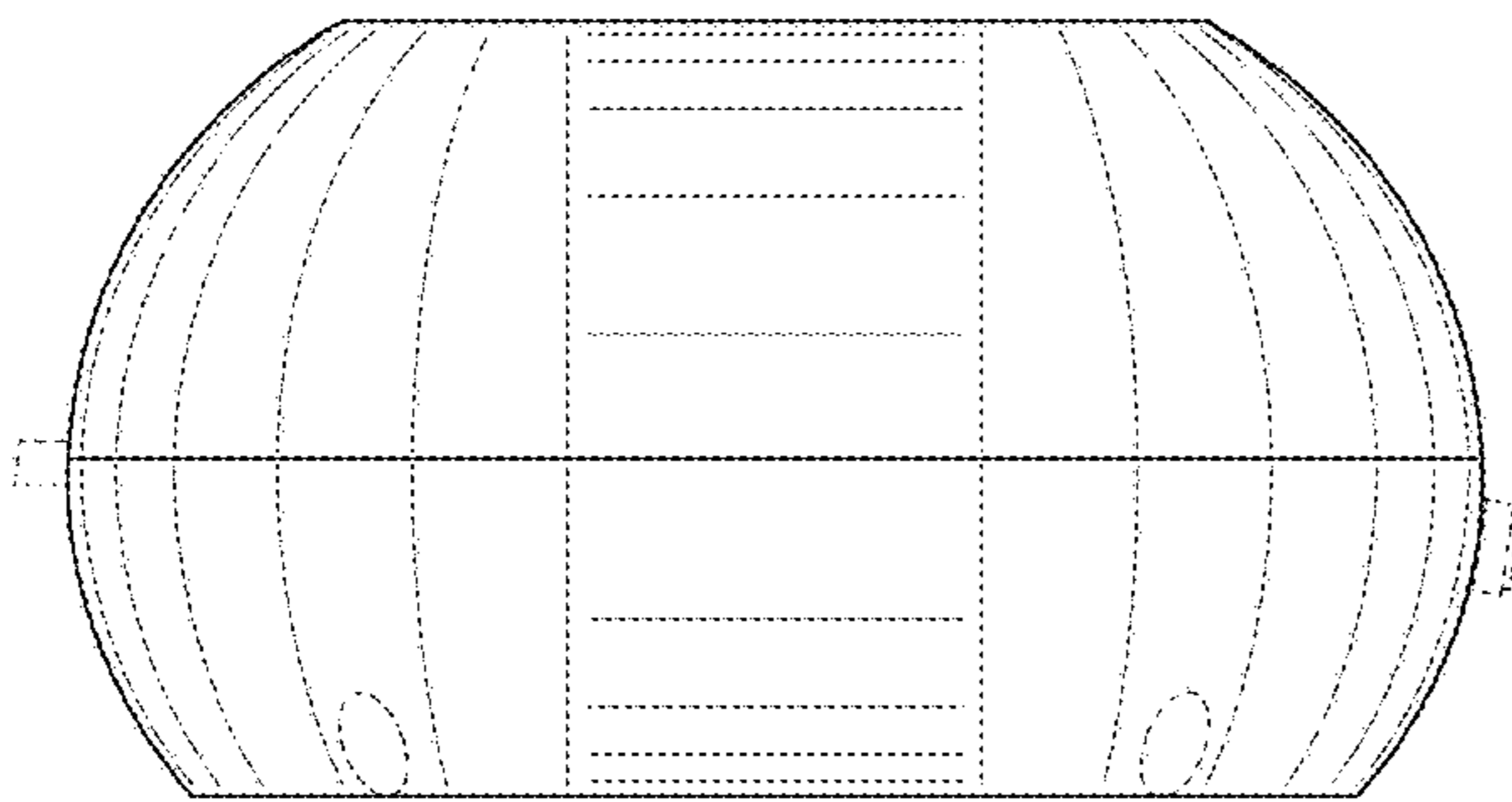
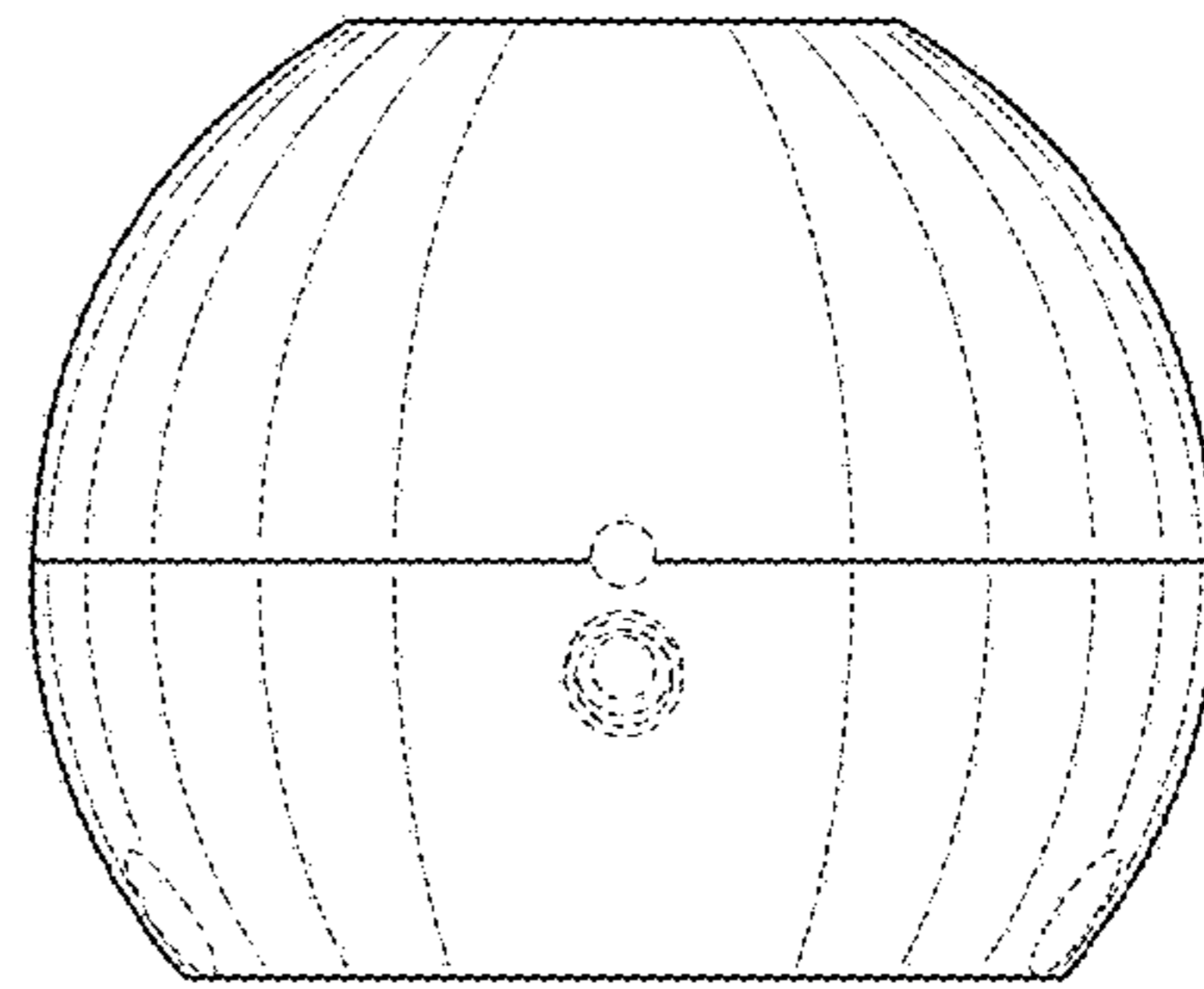


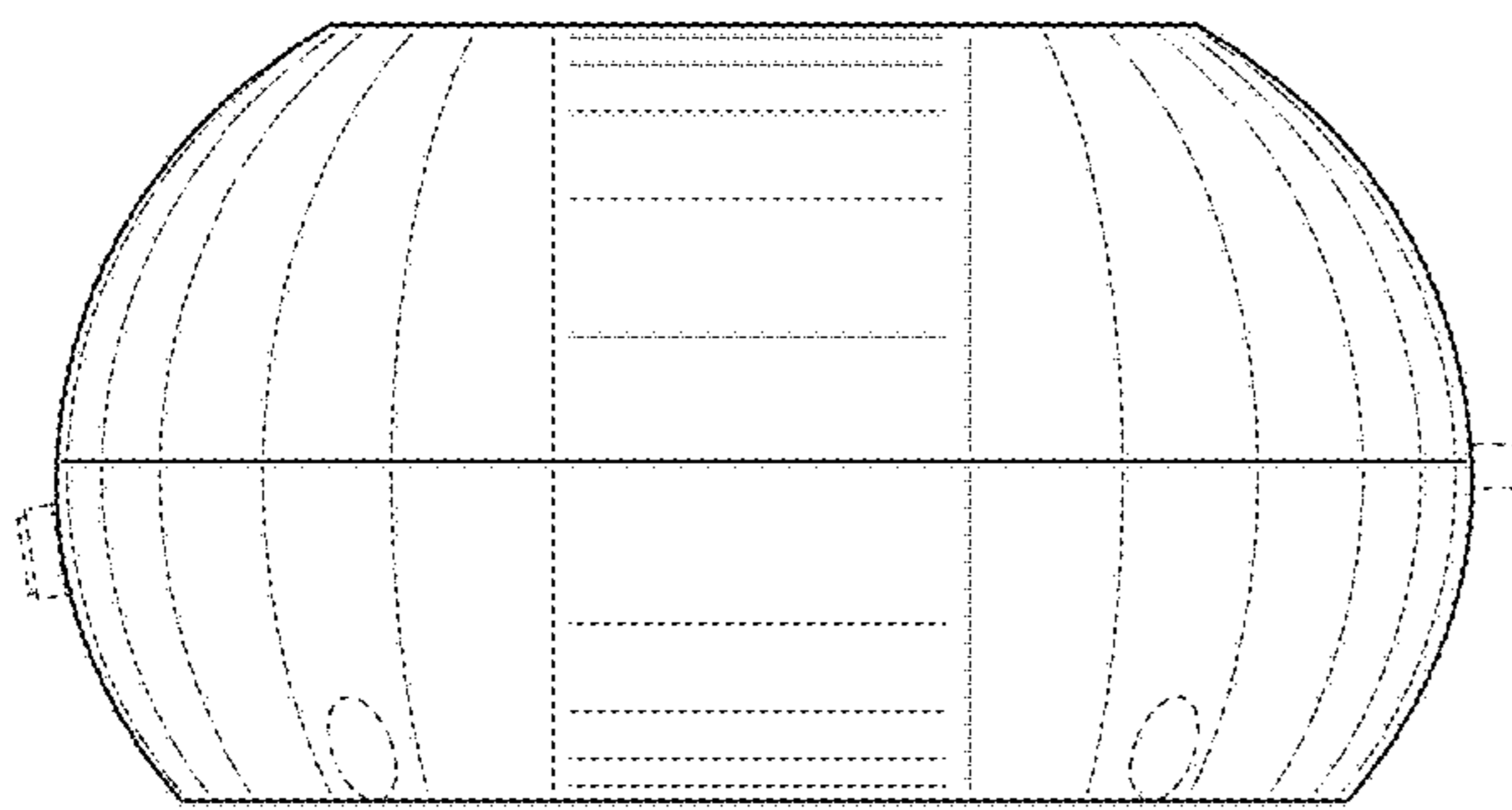
FIG. 2



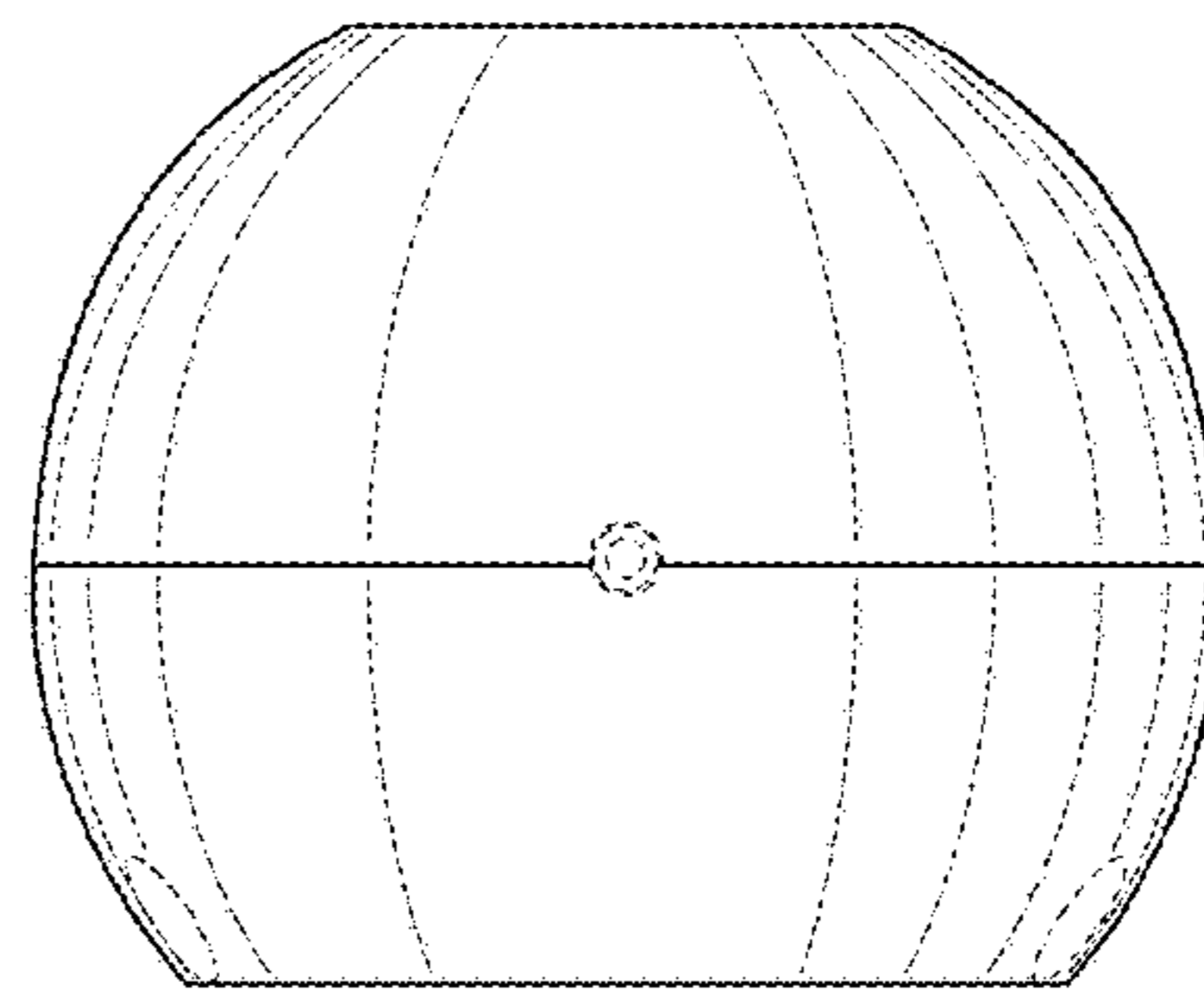
**FIG. 3**



**FIG. 4**



**FIG. 5**



**FIG. 6**

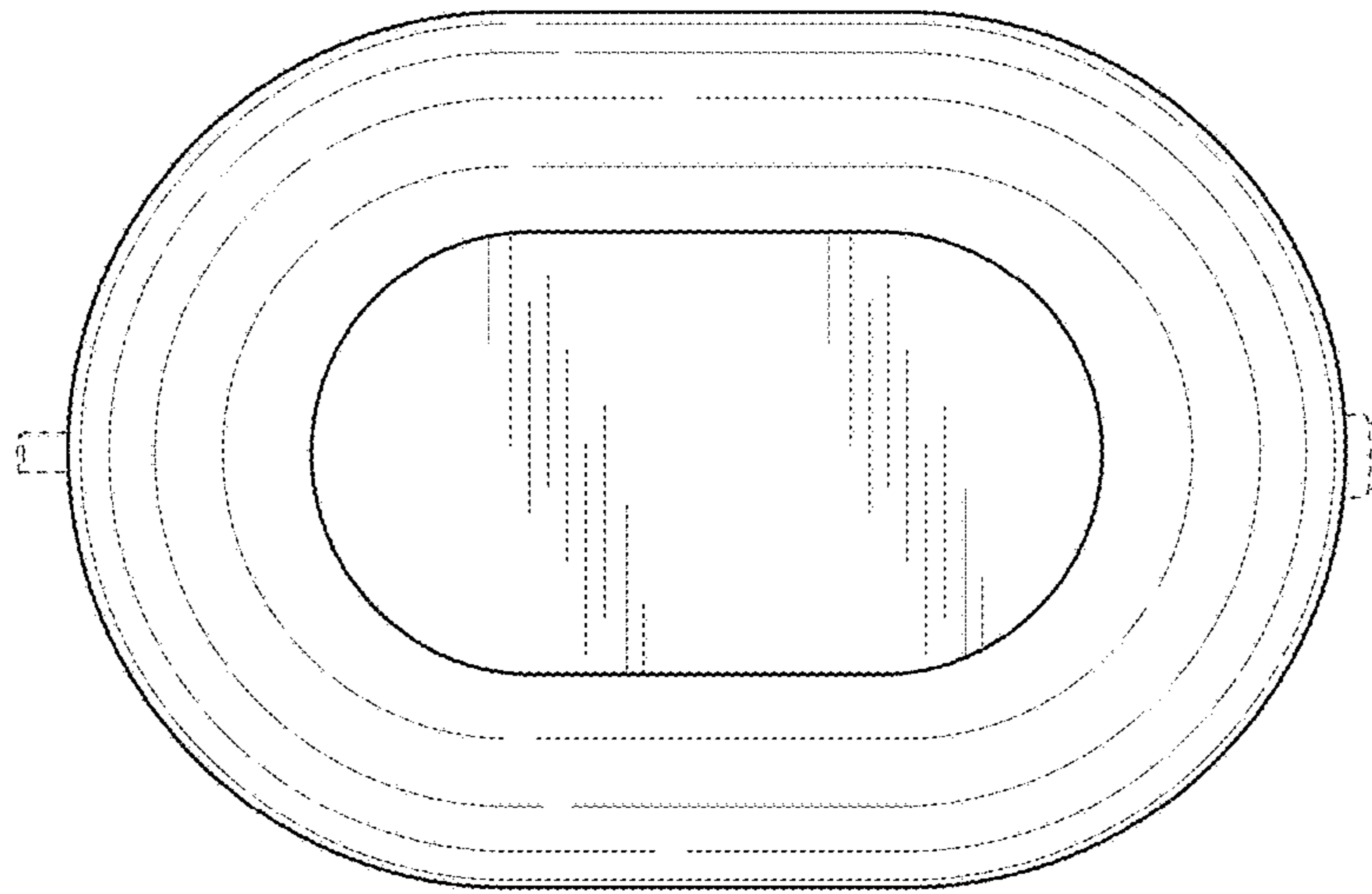


FIG. 7

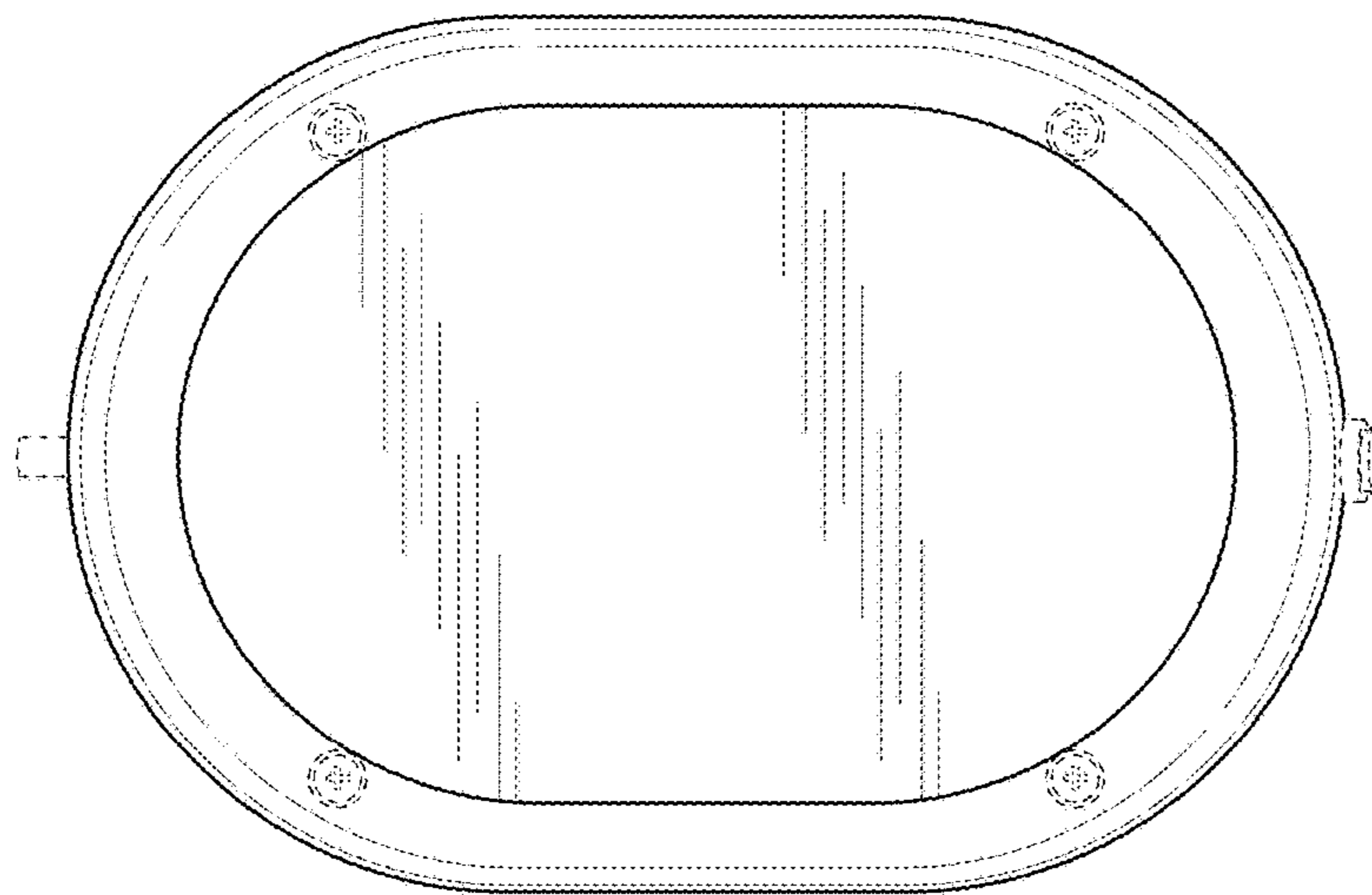


FIG. 8