



US00D839921S

(12) **United States Design Patent** (10) **Patent No.:** **US D839,921 S**
Savage et al. (45) **Date of Patent:** **** Feb. 5, 2019**

(54) **ENGINE**
(71) Applicant: **Harley-Davidson Motor Company Group, LLC, Milwaukee, WI (US)**
(72) Inventors: **Frank Savage, Trenton, WI (US); Chetan Shedjale, Wauwatosa, WI (US); Mark Daniels, Mequon, WI (US); Ben McGinley, Glendale, WI (US); Stephen R. Collins, Oconomowoc, WI (US); Anthony N. Pink, Hartford, WI (US)**
(73) Assignee: **Harley-Davidson Motor Company Group, LLC, Milwaukee, WI (US)**
(**) Term: **15 Years**

D267,245 S 12/1982 Iwasaki
D267,638 S 1/1983 Iwasaki
D277,485 S 2/1985 Iwakura et al.
D277,756 S 2/1985 Davidson
D279,294 S 6/1985 Davidson
D279,376 S 6/1985 Davidson
D280,200 S 8/1985 Iwakura et al.
D280,990 S 10/1985 Davidson
D294,264 S 2/1988 Davidson et al.
6,257,178 B1 * 7/2001 Laimbock B62K 11/04
123/54.1
7,143,734 B1 * 12/2006 Leppanen F16D 7/044
123/192.1
D567,256 S * 4/2008 Hu D15/1
7,401,590 B2 * 7/2008 Schmidt B62J 37/00
123/198 E
2002/0011222 A1 * 1/2002 Bilek F01B 1/12
123/52.1

(Continued)

(21) Appl. No.: **29/575,147**
(22) Filed: **Aug. 22, 2016**
(51) **LOC (11) Cl.** **15-01**
(52) **U.S. Cl.**
USPC **D15/3**
(58) **Field of Classification Search**
USPC D15/1-5; D12/110
CPC F02B 61/02; F02B 2075/1808; F02B 2700/03; F02B 2710/02; F02B 75/22
See application file for complete search history.

Primary Examiner — T Chase Nelson
Assistant Examiner — Ania Aman
(74) *Attorney, Agent, or Firm* — Michael Best & Friedrich LLP

(57) **CLAIM**

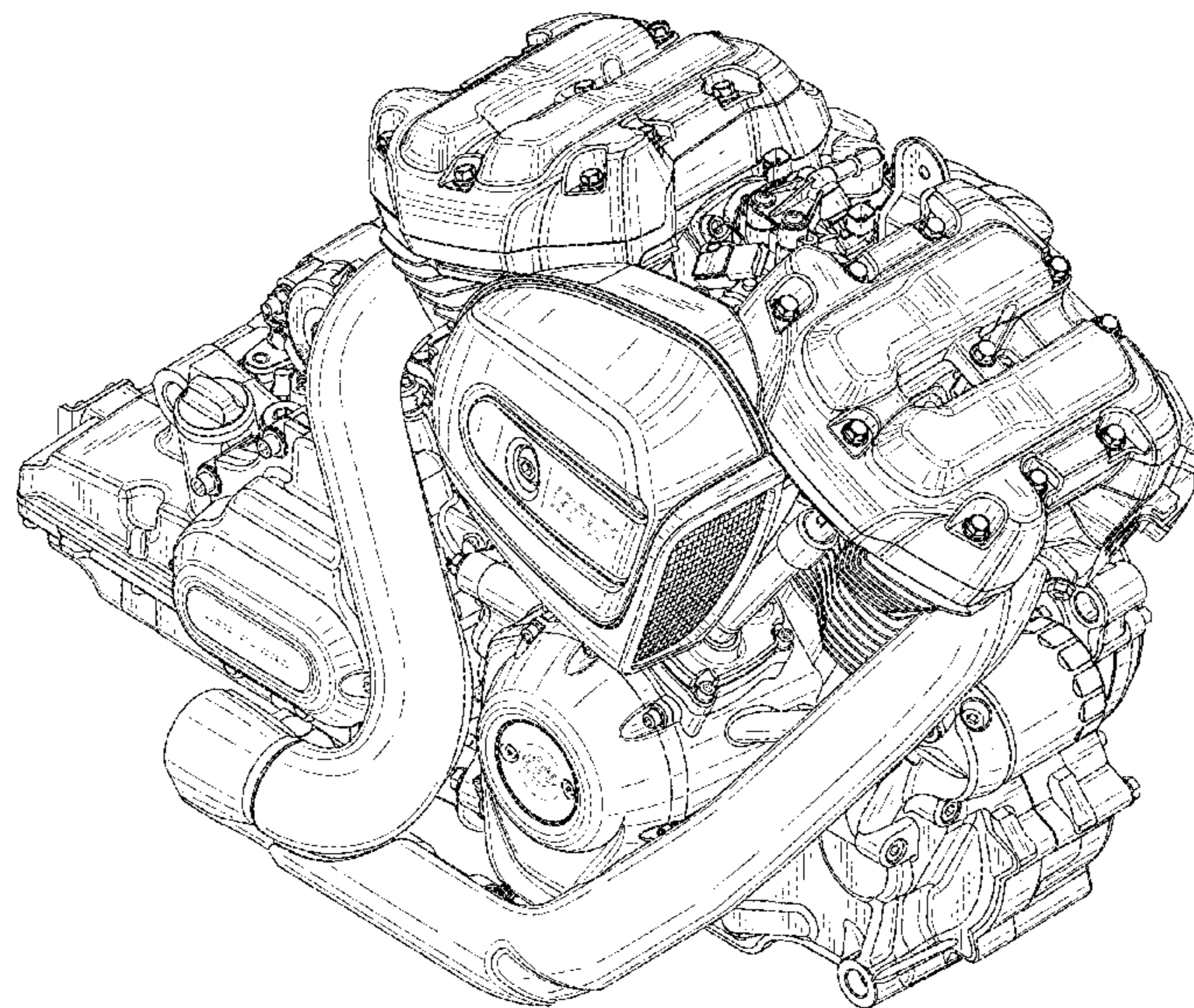
We claim the ornamental design for an engine, as shown and described.

DESCRIPTION

FIG. 1 is a perspective view of an engine;
FIG. 2 is a front view thereof;
FIG. 3 is a rear view thereof;
FIG. 4 is a right side view thereof;
FIG. 5 is a left side view thereof;
FIG. 6 is a top view thereof; and,
FIG. 7 is a bottom view thereof.
The portions of the engine shown in broken lines are included for the purpose of illustrating environment and form no part of the claimed design.

1 Claim, 7 Drawing Sheets

(56) **References Cited**
U.S. PATENT DOCUMENTS
D31,412 S 8/1899 Mayhew
D35,540 S 12/1901 Olds
D45,218 S 2/1914 Acre
D134,742 S 1/1943 Redlund
D214,539 S 6/1969 Fullerton
D217,314 S 4/1970 Smith
D238,197 S 12/1975 Fernandez
D240,866 S 8/1976 Raby
D255,353 S 6/1980 Ullrich



(56)

References Cited

U.S. PATENT DOCUMENTS

2003/0140882	A1 *	7/2003	Lundgreen	F02B 61/02 123/184.31	2008/0083398	A1 *	4/2008	Reichardt	F01M 13/0416 123/572
2004/0244761	A1 *	12/2004	Takeuchi	F01M 1/12 123/196 R	2008/0083577	A1 *	4/2008	Schmidt	B62J 35/00 180/219
2005/0252471	A1 *	11/2005	Hanold	F01M 9/10 123/90.38	2010/0037844	A1 *	2/2010	Kinsey	F01L 1/182 123/90.39
2006/0000458	A1 *	1/2006	Dees	F02M 35/10222 123/572	2010/0224158	A1 *	9/2010	Oakes	F02B 27/02 123/184.47
2007/0000469	A1 *	1/2007	Liang	F02B 61/02 123/195 R	2012/0125284	A1 *	5/2012	Brace	B62K 11/04 123/195 R
2007/0017466	A1 *	1/2007	Leppanen	F02N 15/006 123/179.25	2014/0131128	A1 *	5/2014	Schuhmacher	B62J 17/04 180/219
2007/0186879	A1 *	8/2007	Takahashi	F01M 1/02 123/41.44	2015/0135687	A1 *	5/2015	Sasaki	F01N 13/08 60/299
2008/0047389	A1 *	2/2008	LeClaire	B62J 25/00 74/564	2015/0345451	A1 *	12/2015	Garrison	F02M 61/14 123/294
						2017/0074151	A1 *	3/2017	Bartolotta	F01P 1/02
						2017/0370321	A1 *	12/2017	Nicosia	F02B 61/02

* cited by examiner

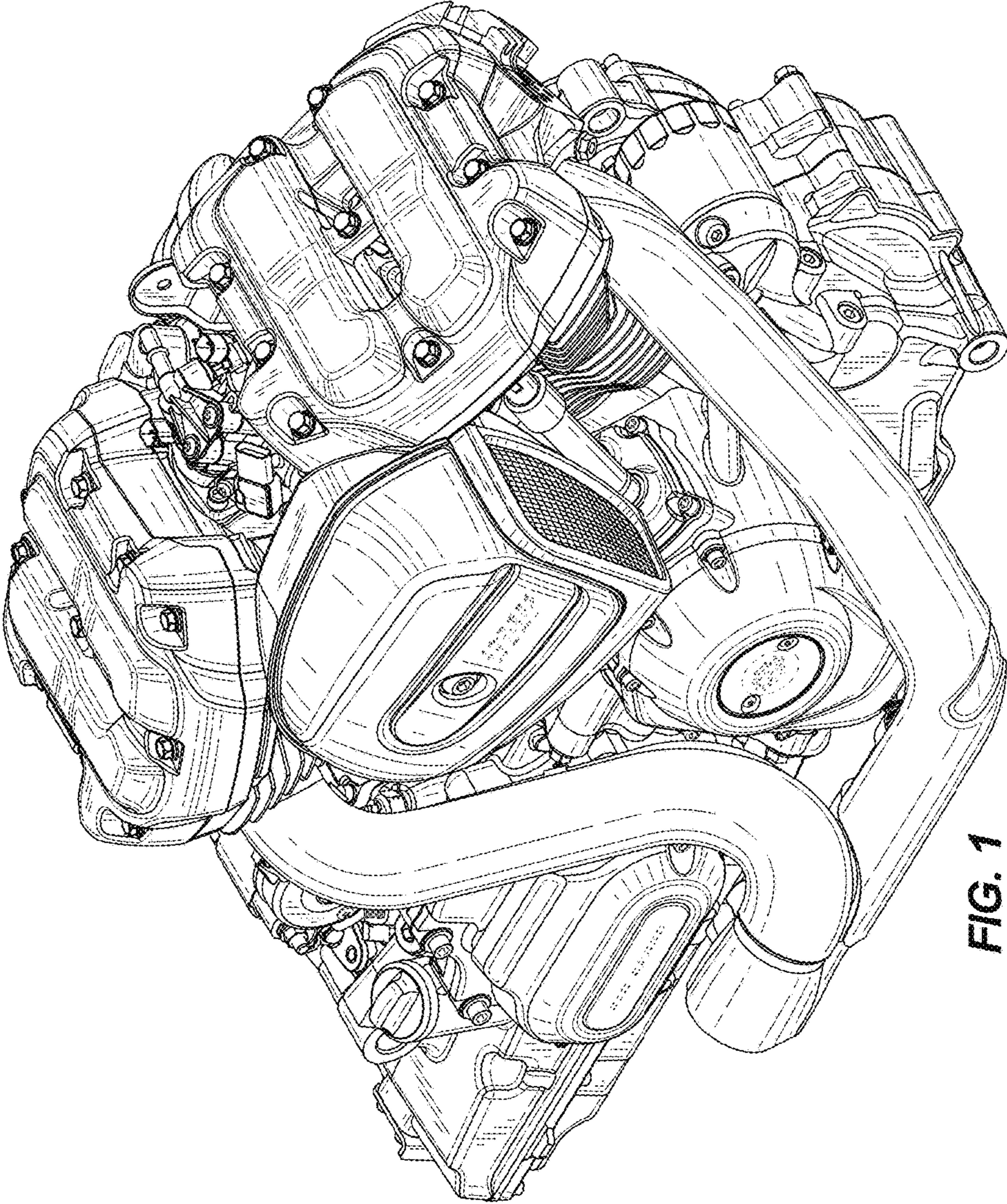


FIG. 1

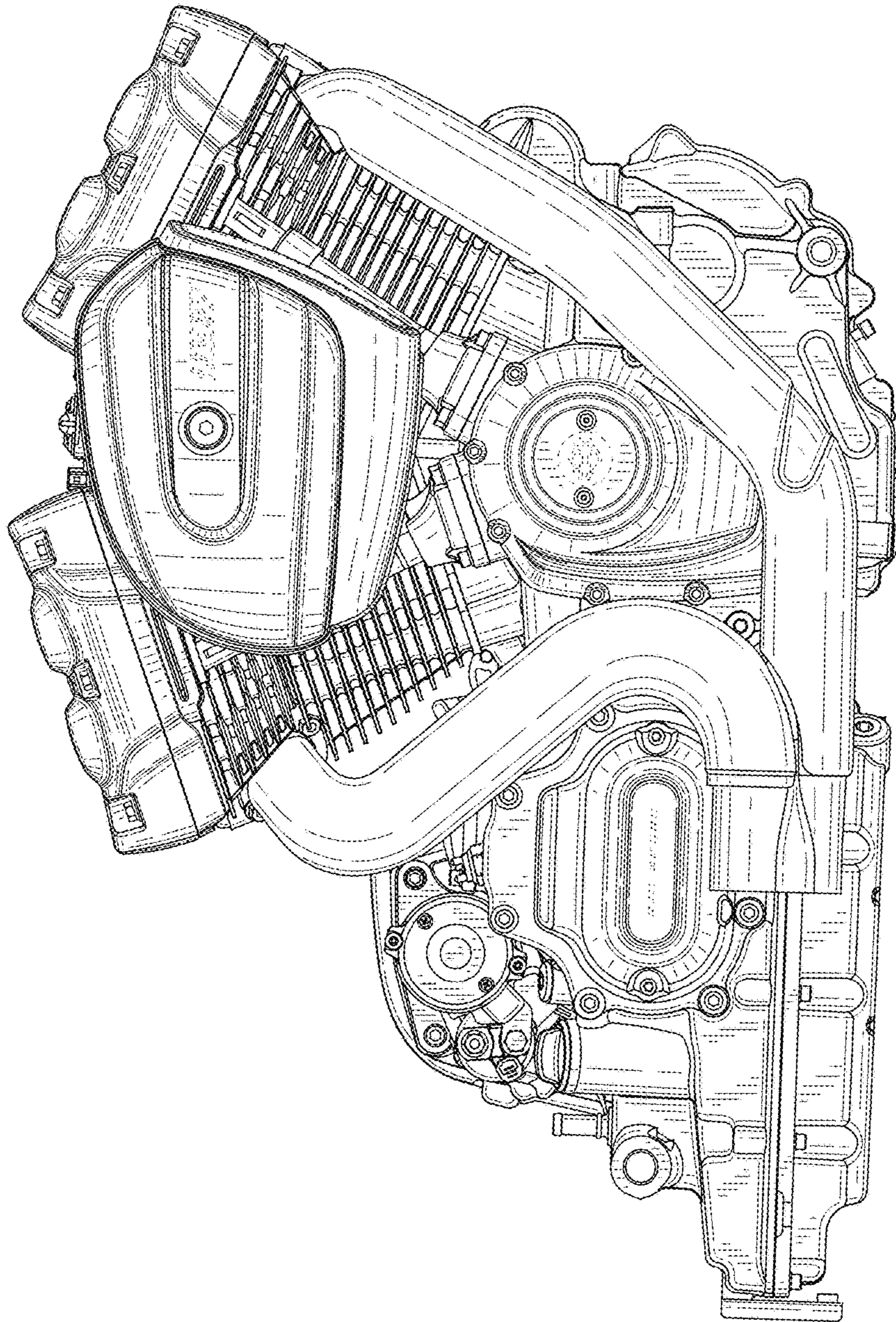


FIG. 2

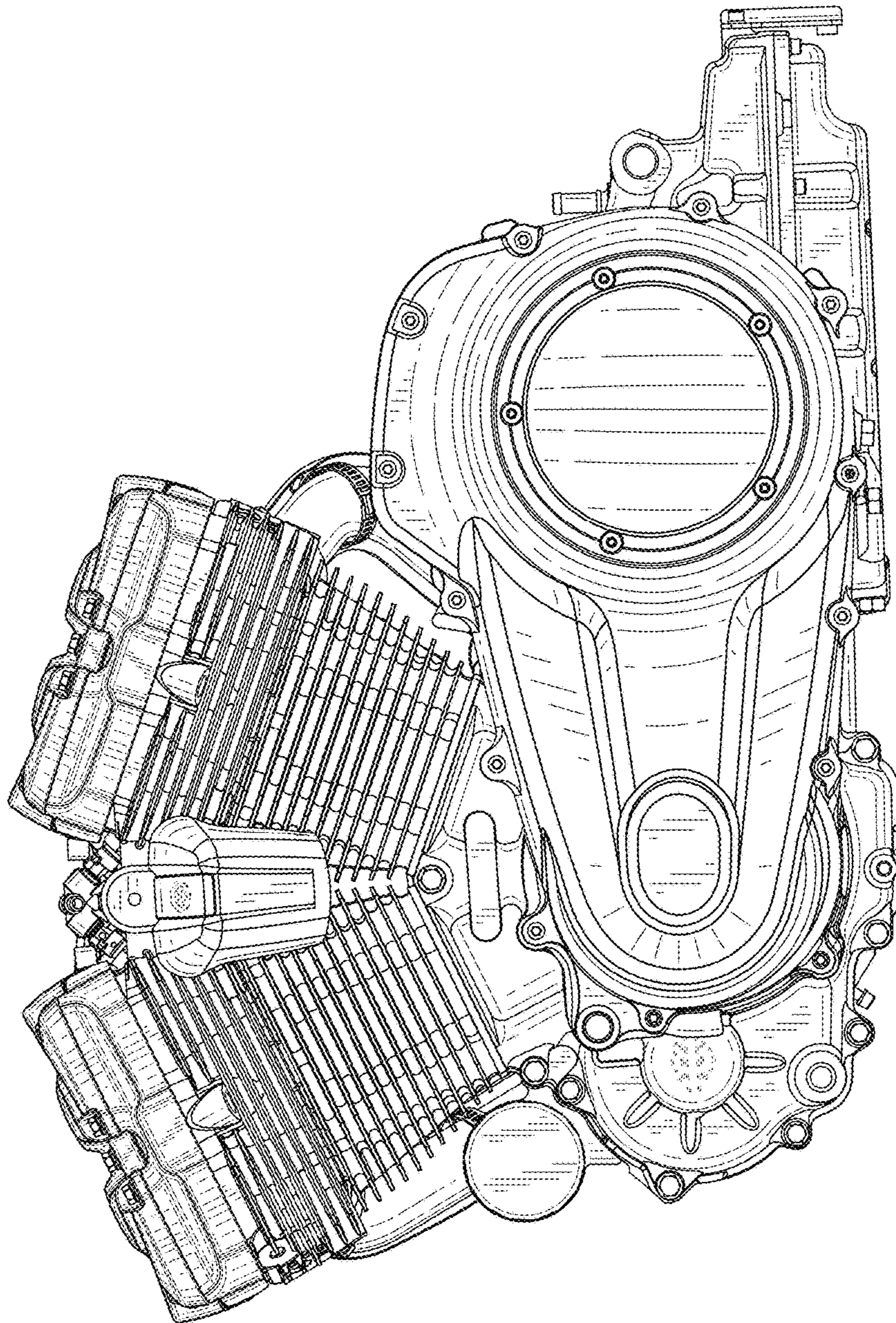


FIG. 3

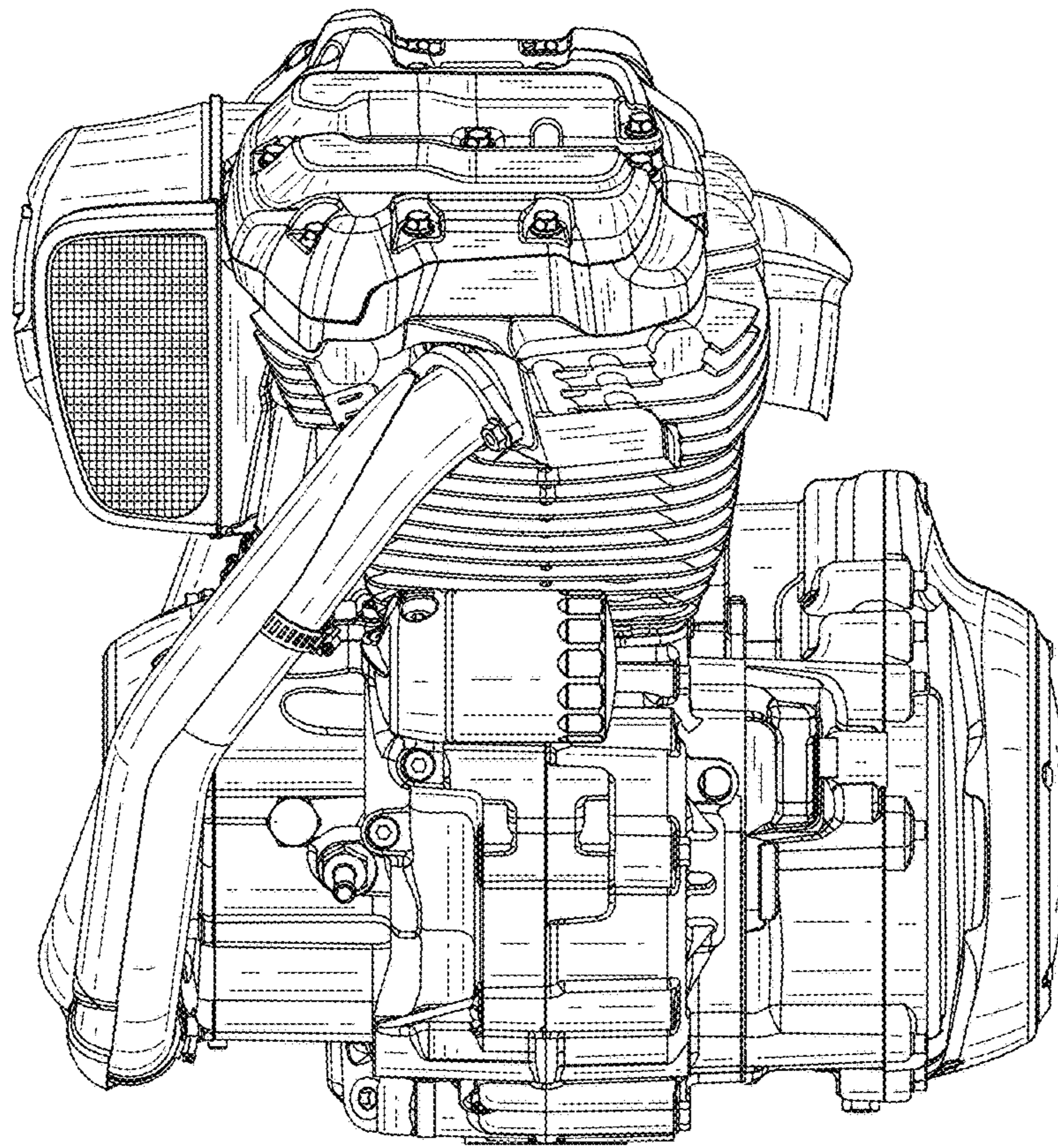


FIG. 4

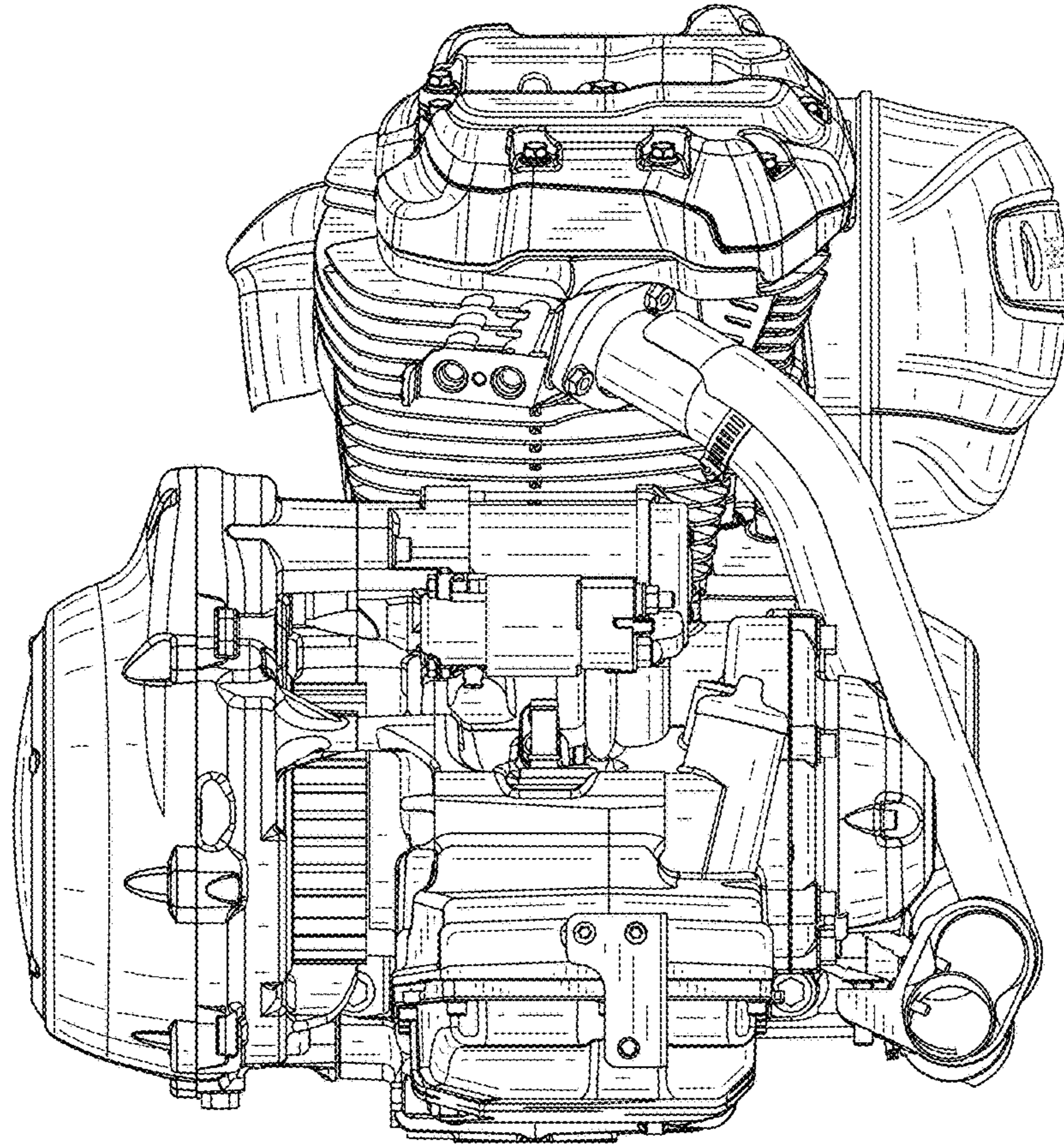


FIG. 5

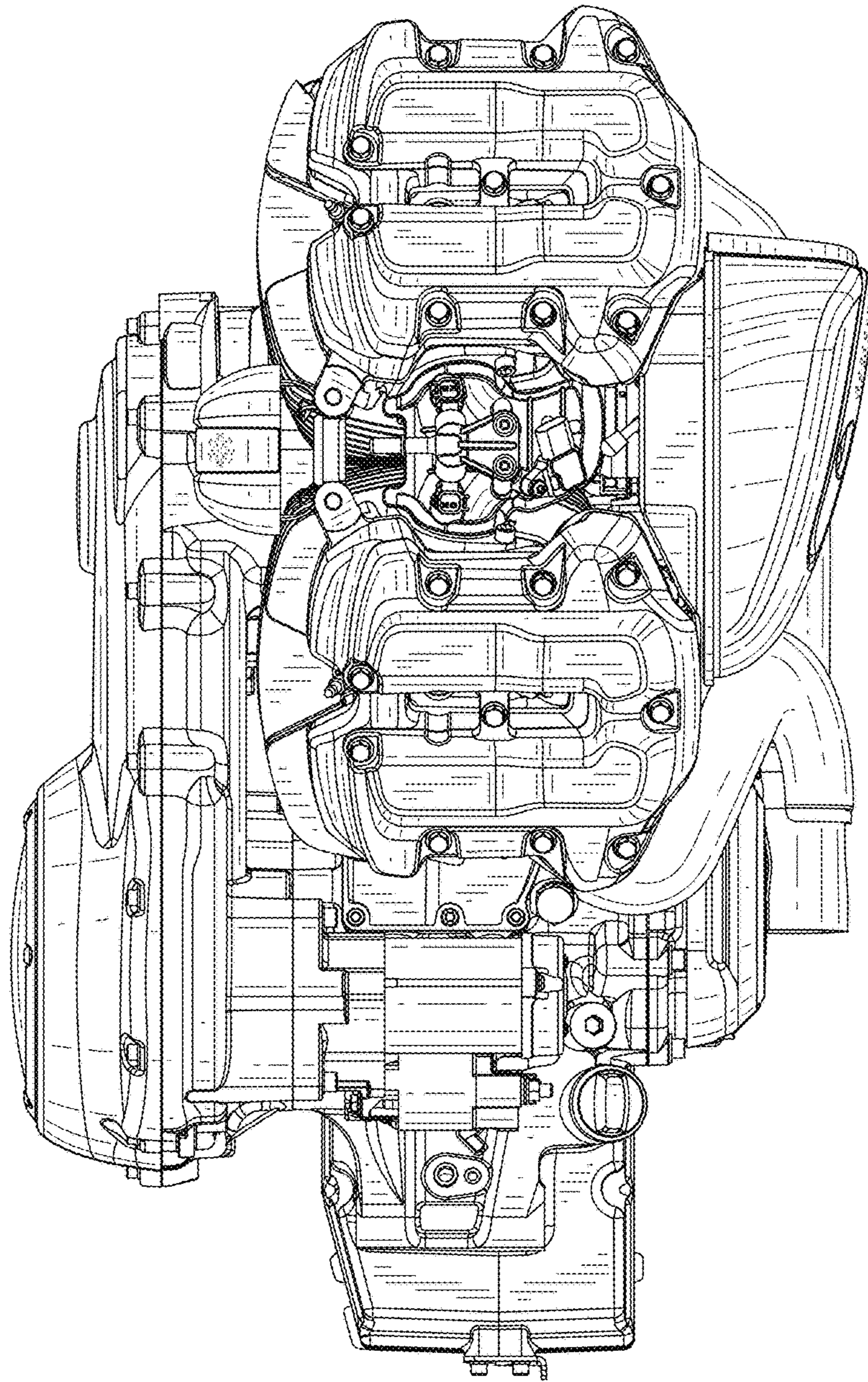


FIG. 6

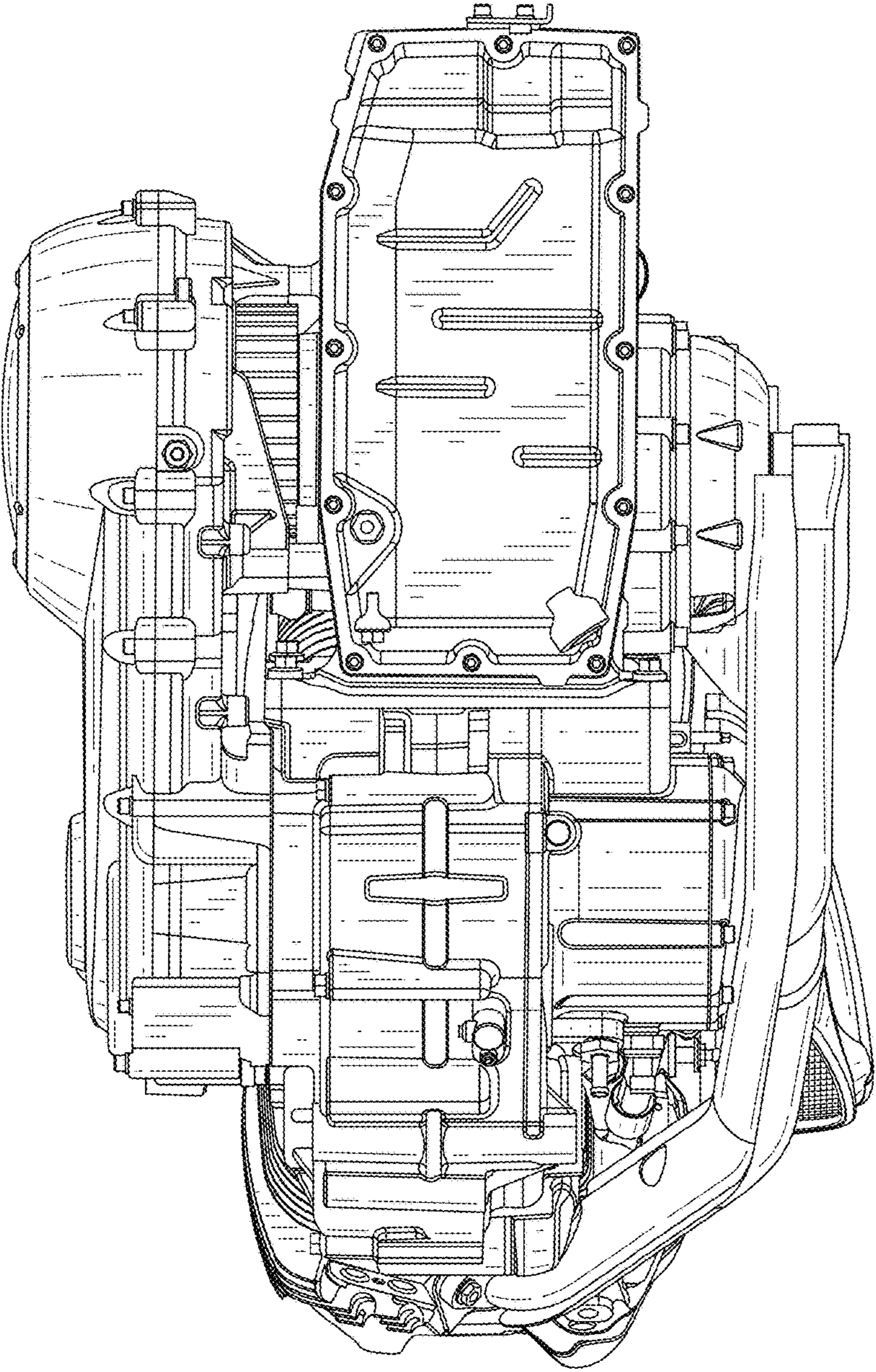


FIG. 7