



US00D839920S

(12) **United States Design Patent** (10) **Patent No.:** **US D839,920 S**
Demin et al. (45) **Date of Patent:** **** Feb. 5, 2019**

(54) **MEDIA DEVICE**
(71) Applicant: **Harman International Industries, Incorporated**, Northridge, CA (US)
(72) Inventors: **Alexander Demin**, Shenzhen (CN); **Young Wan Kim**, Shenzhen (CN)
(73) Assignee: **Harman International Industries, Incorporated**, Northridge, CA (US)

D740,809 S * 10/2015 Kwon D14/250
D773,948 S * 12/2016 Schneid D10/106.2
D781,799 S * 3/2017 Park D14/125
D788,603 S * 6/2017 Liu D10/102
D789,352 S * 6/2017 Kong D14/314
D797,099 S * 9/2017 Wieser D14/300
D797,100 S * 9/2017 Wieser D14/358
D799,479 S * 10/2017 Wieser D14/358

(Continued)

(**) Term: **15 Years**
(21) Appl. No.: **29/615,768**

(22) Filed: **Aug. 31, 2017**
(51) **LOC (11) Cl.** **14-03**
(52) **U.S. Cl.**
USPC **D14/496**; D14/203.1
(58) **Field of Classification Search**
USPC D14/125, 137, 140–140.9, 155, 159, 167,
D14/168, 172, 188, 194, 203.1, 204,
D14/209.1, 216, 217, 221, 225–229, 240,
D14/242, 299, 348, 349, 356–358, 432,
D14/433, 474, 496, 497, 212, 213, 218,
D14/195; D10/104.1, 106.1–106.9;
D13/108, 110, 123, 158, 177, 199;
D21/333, 483, 513; D3/207, 208
CPC H04L 12/00; H03K 17/00; H04W 88/00;
H04W 88/04; H04B 1/38; G10H 1/361;
H04R 5/00; H04R 1/02; H04R 1/04;
H04R 1/08
See application file for complete search history.

(56) **References Cited**

U.S. PATENT DOCUMENTS

D664,130 S * 7/2012 Lee D14/240
D682,806 S * 5/2013 Smith D14/155
D684,957 S * 6/2013 Smith D14/242
D685,348 S * 7/2013 Szymanski D14/214
D733,080 S * 6/2015 Kuh D14/125

OTHER PUBLICATIONS

Review: Harman Kardon Adapt, online, post date Jul. 28, 2017, <URL: <https://blog.son-video.com/en/2017/07/review-harman-kardon-adapt/> >, retrieved Aug. 1, 2018.*

Primary Examiner — Jeffrey D Asch
Assistant Examiner — Rebekah A Caruso
(74) *Attorney, Agent, or Firm* — Plumsea Law Group, LLC

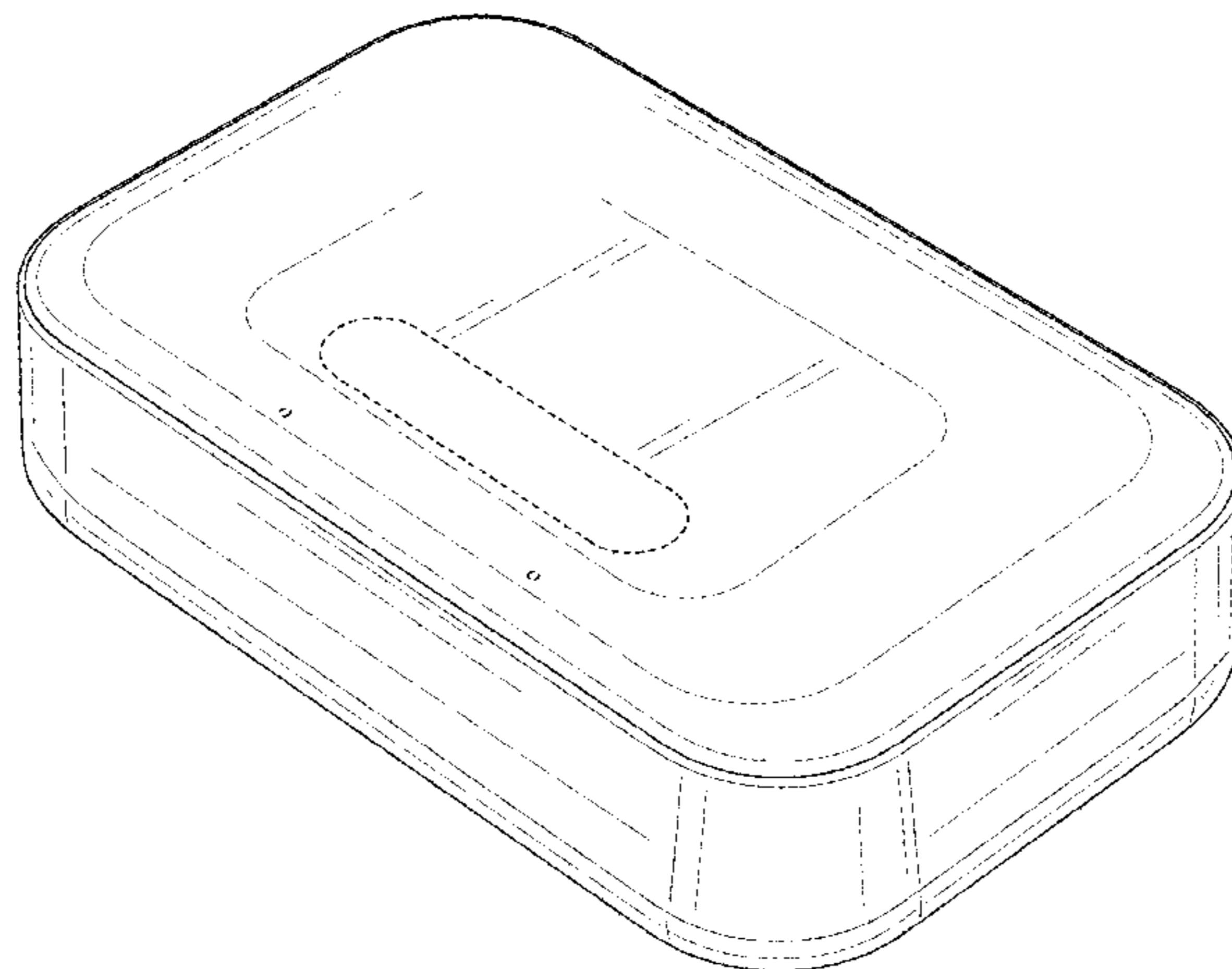
(57) **CLAIM**

The ornamental design for a media device, as shown and described.

DESCRIPTION

FIG. 1 is a perspective view of a media device showing our new design.
FIG. 2 is a front elevation view thereof.
FIG. 3 is a rear elevation view thereof.
FIG. 4 is a side elevation view of one side thereof.
FIG. 5 is a side elevation view of the opposite side thereof.
FIG. 6 is a top plan view thereof; and,
FIG. 7 is a bottom plan view thereof.
The broken lines shown in the figures that are immediately adjacent to the shaded areas and define unshaded regions represent the bounds of the claim. All other broken lines, including the broken line that falls in a large unshaded region on the bottom of the article, are directed to environment. The broken lines form no part of the claimed design.

1 Claim, 7 Drawing Sheets



(56)

References Cited

U.S. PATENT DOCUMENTS

D806,678 S * 1/2018 Reichert D14/209.1
D807,401 S * 1/2018 Xu D14/496

* cited by examiner

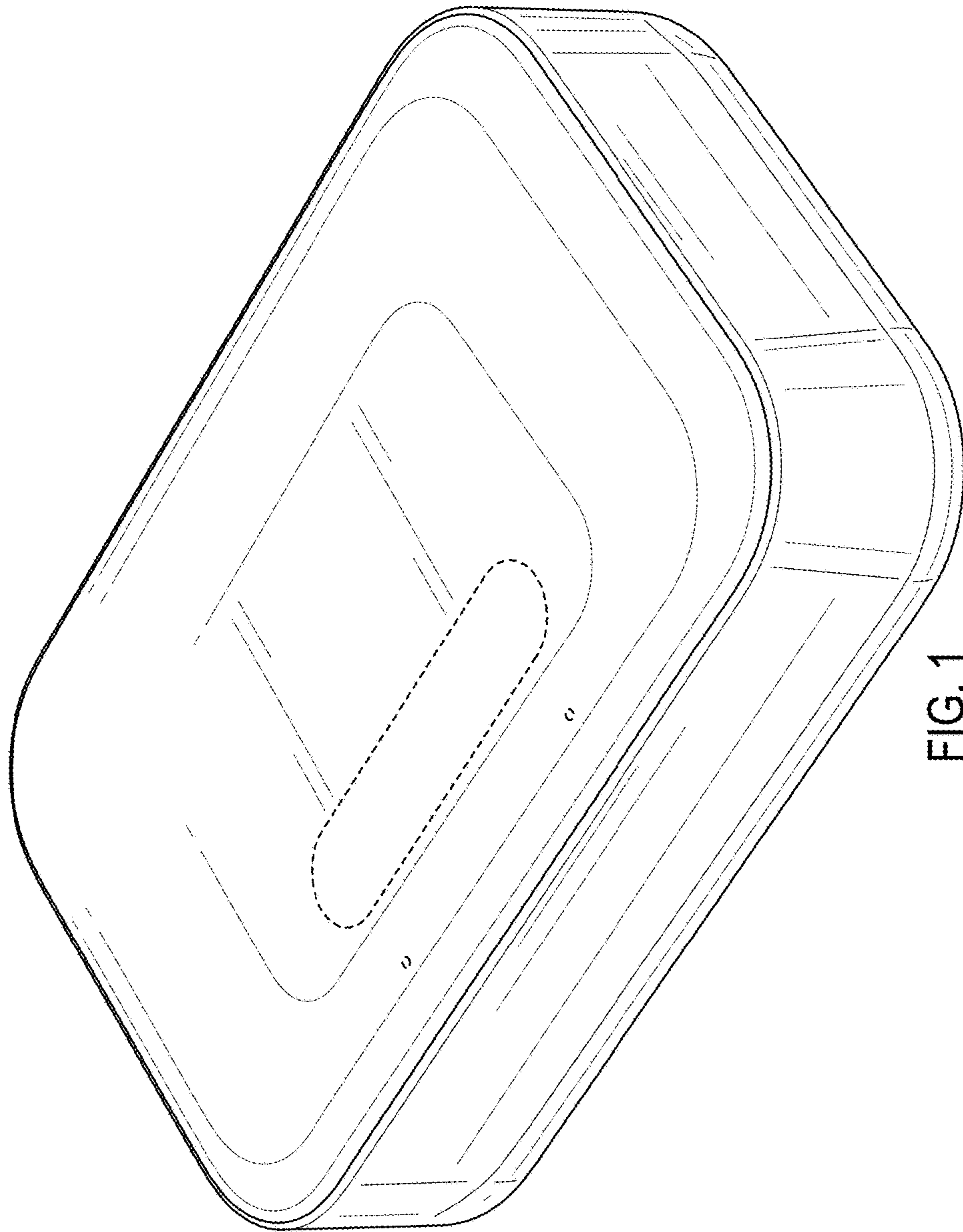


FIG. 1

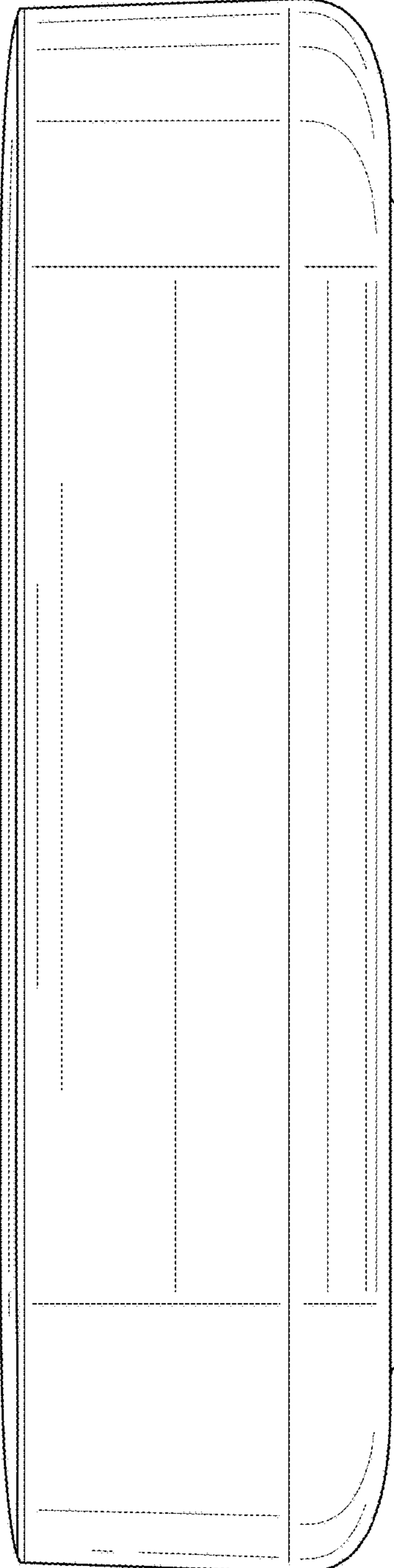


FIG. 2

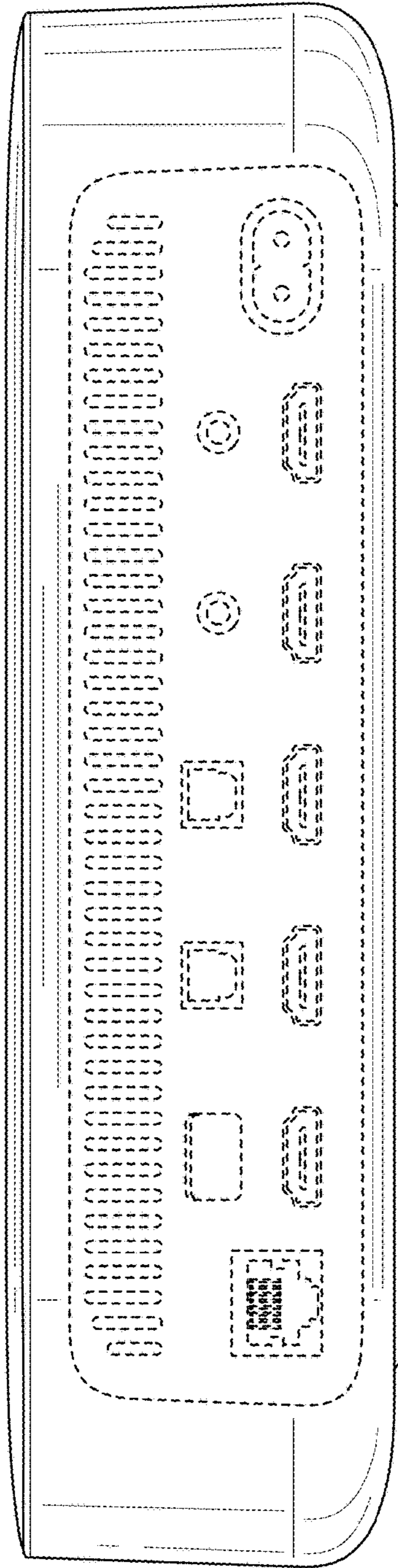


FIG. 3

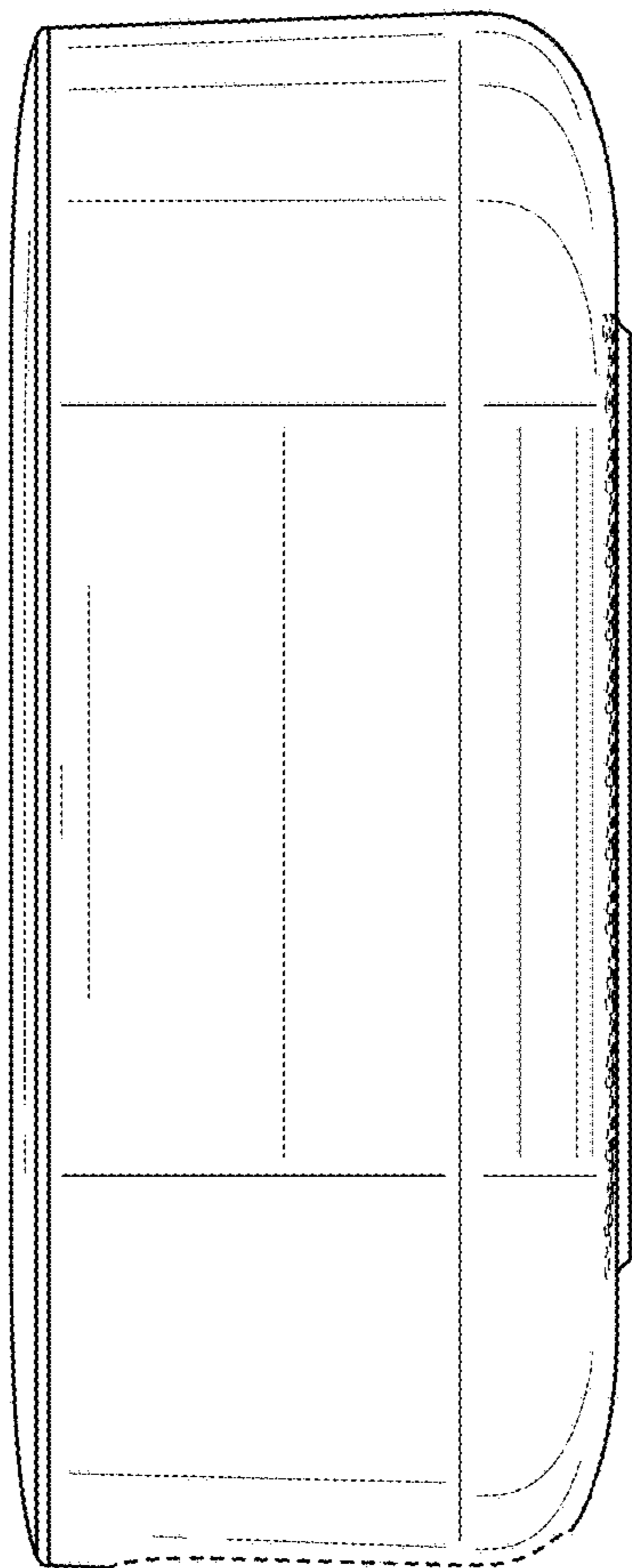


FIG. 4

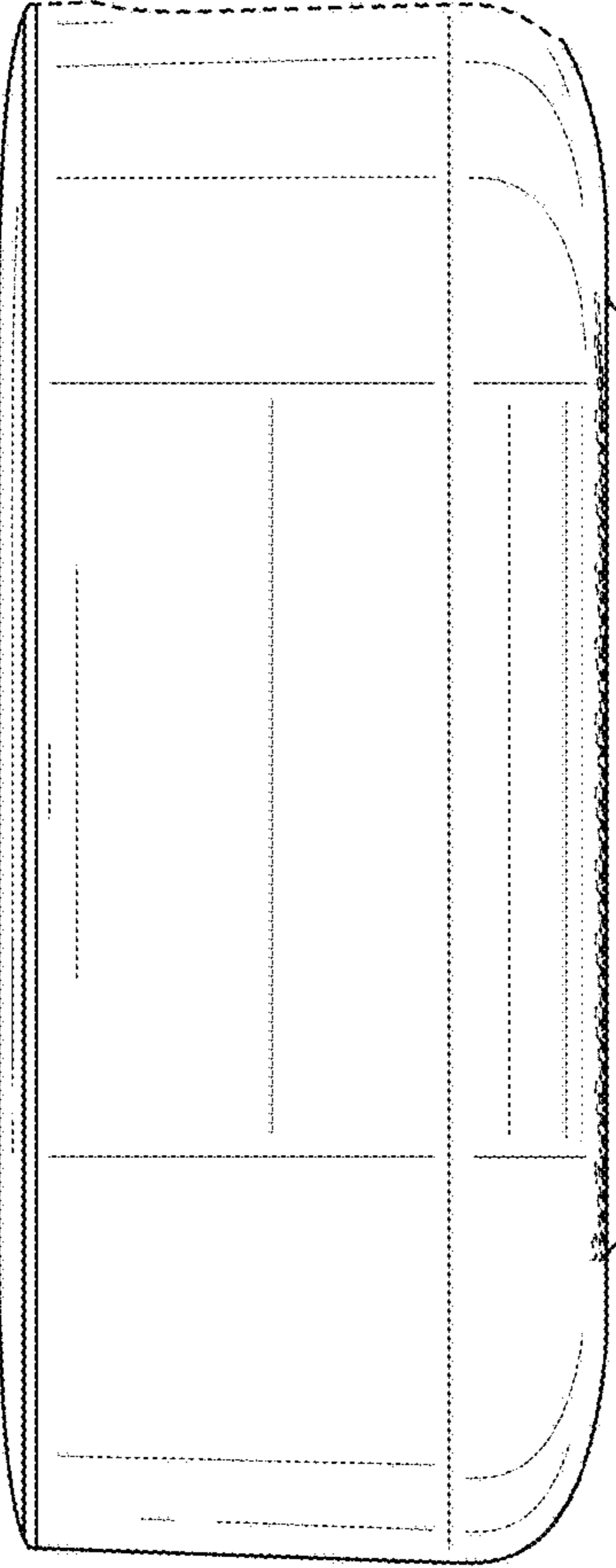


FIG. 5

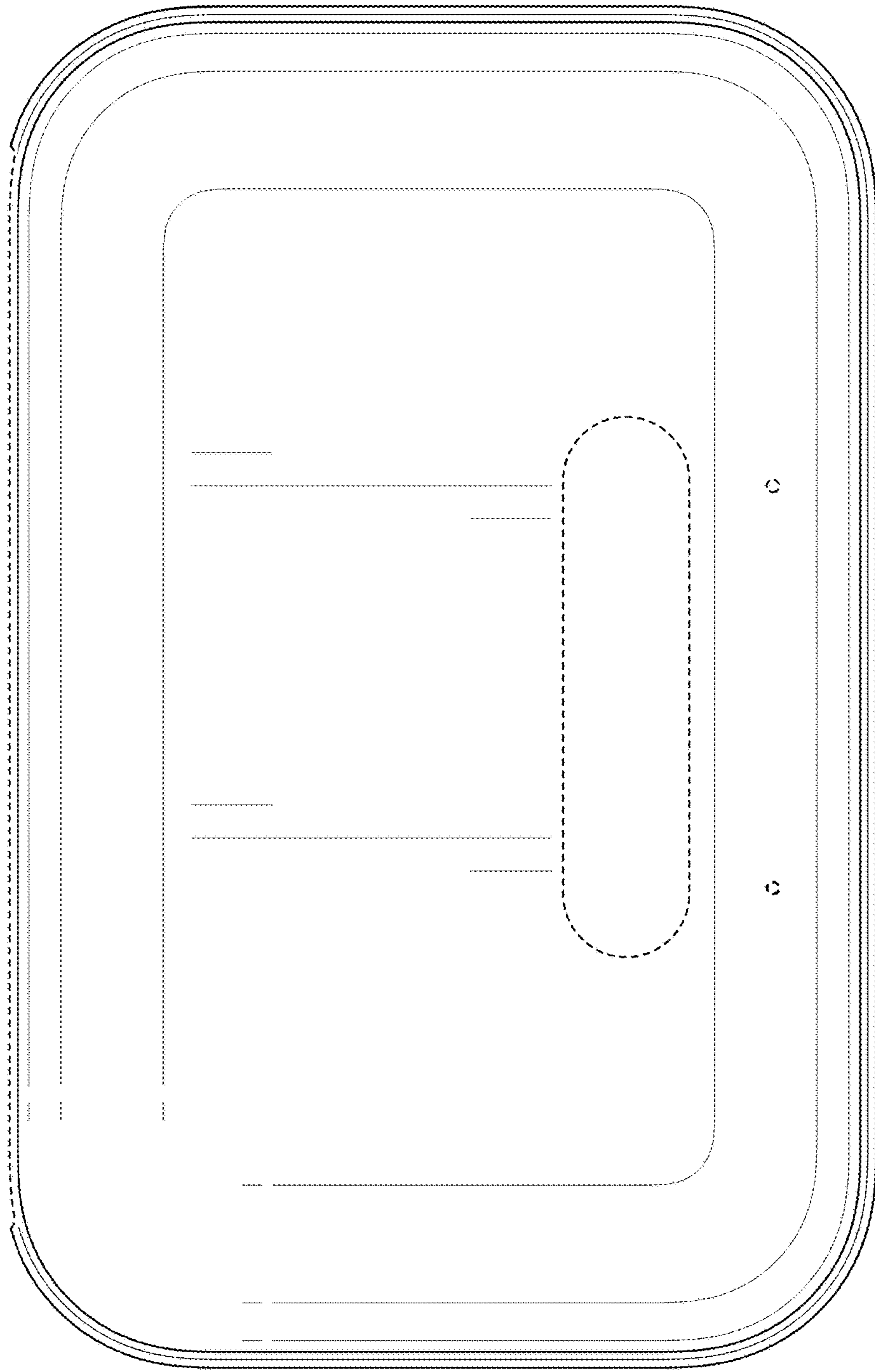


FIG. 6

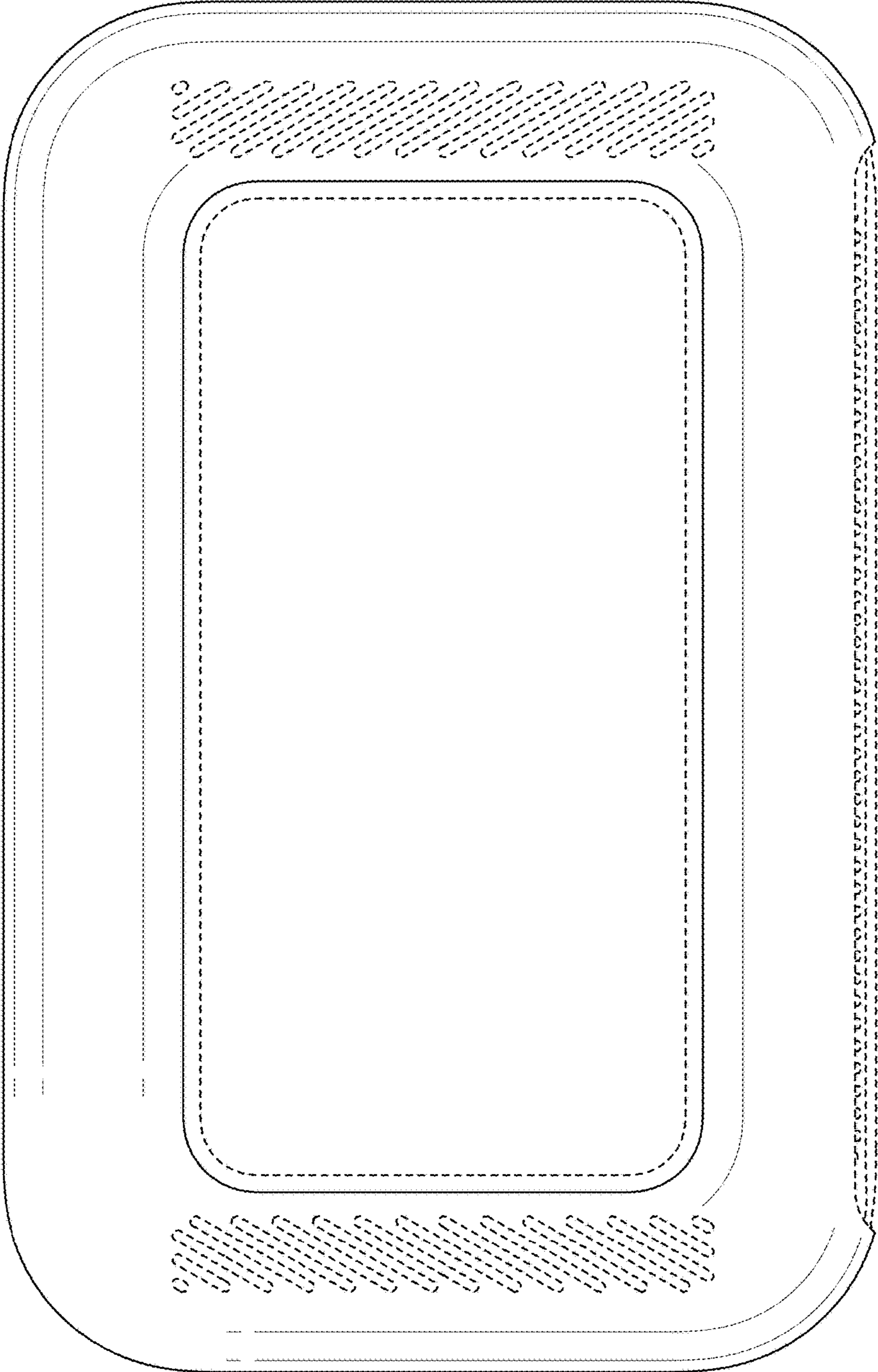


FIG. 7