



US00D839919S

(12) **United States Design Patent** (10) **Patent No.:** **US D839,919 S**
Valluripalli et al. (45) **Date of Patent:** **** *Feb. 5, 2019**

(54) **SMART HOME DEVICE**

(71) Applicant: **Blaze Automation Services Pvt Ltd.,**
Hyderabad (IN)

(72) Inventors: **Nagarjun Valluripalli, Hyderabad (IN);**
Sridhar Ponugupati, Hyderabad (IN)

(73) Assignee: **BLAZE AUTOMATION SERVICES**
PVT LTD., Hyderabad (IN)

(*) Notice: This patent is subject to a terminal disclaimer.

(**) Term: **15 Years**

(21) Appl. No.: **29/571,492**

(22) Filed: **Jul. 19, 2016**

(30) **Foreign Application Priority Data**

Jan. 20, 2016 (IN) 279617

(51) **LOC (11) Cl.** **14-03**

(52) **U.S. Cl.**
USPC **D14/496; D14/218; D14/356; D14/388**

(58) **Field of Classification Search**

USPC D14/356, 357, 358, 361, 362, 365, 367,
D14/370, 388, 432, 434, 203.1, 203.6,
D14/204, 205, 216, 217, 218, 240, 242,
D14/299, 125, 129, 130, 140, 155, 168,
D14/188, 195, 300, 302, 314, 348, 351,
D14/496, 142; D13/103, 107, 108, 123,
D13/152, 162, 162.1, 163, 168, 184, 199;
D10/104.1, 106.6, 116.1, 61, 64, 75;
D21/765, 760; D7/500, 550.1, 551.1
CPC ... H04W 88/08; H04W 88/085; H04W 88/00;
H04W 88/005; H04W 88/02; H04W
88/12; H04W 88/14; H04W 88/16; H04W
88/18; H04W 4/00; H01Q 1/02; H01Q
1/2291; H01Q 1/246; H04B 1/38
See application file for complete search history.

(56) **References Cited**

U.S. PATENT DOCUMENTS

D308,364 S * 6/1990 Beasley, Jr. D14/389
D317,311 S * 6/1991 Anderson D14/240
D321,172 S * 10/1991 Moore, IV D14/389
D335,668 S * 5/1993 Pasinski D14/143
D403,501 S * 1/1999 Winter D3/211

(Continued)

OTHER PUBLICATIONS

B. One Ecosystem. connectedcrib.com. [online video] 1 pg. Uploaded
Jul. 13, 2015. [Retrieved on Oct. 31, 2017] <http://www.connectedcrib.com/wp-content/uploads/2015/07/13/b-one.jpg>.*

(Continued)

Primary Examiner — Susan Bennett Hattan

Assistant Examiner — Marie D. Fast Horse

(74) *Attorney, Agent, or Firm* — Mannava & Kang, P.C.

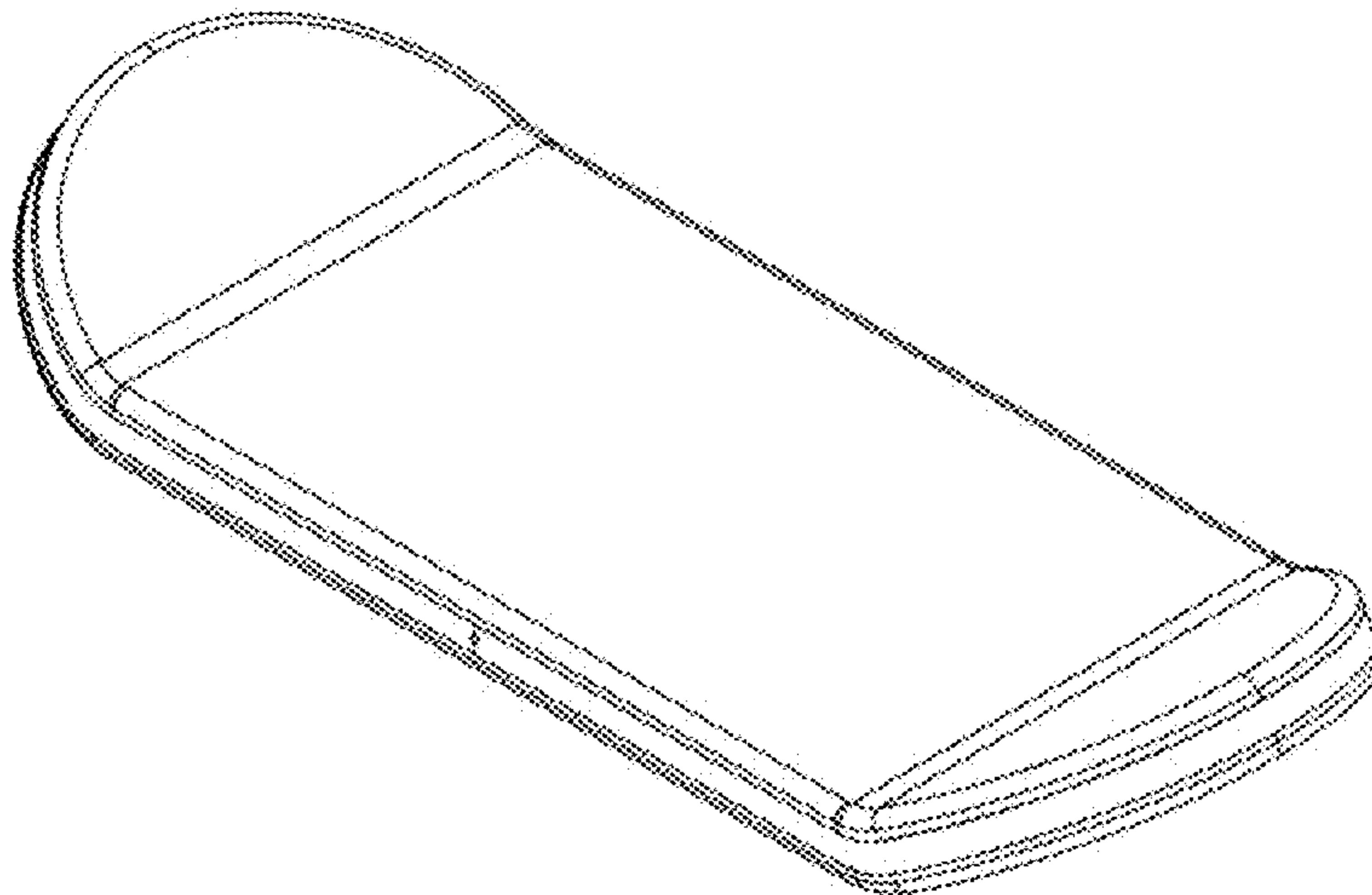
(57) **CLAIM**

We claim the ornamental design for a smart home device, as shown and described.

DESCRIPTION

FIG. 1 is a top rear perspective view of a smart home device.
FIG. 2 is bottom rear perspective view thereof.
FIG. 3 is a front view thereof.
FIG. 4 is a rear view thereof.
FIG. 5 is a top view thereof.
FIG. 6 is a bottom view thereof.
FIG. 7 is a left side view thereof shown in an alternate position rotated counterclockwise 90 degrees; and,
FIG. 8 is a right side view thereof shown in an alternate position rotated clockwise 90 degrees.
The broken line(s) on the smart home device depict portions of the smart home device that form no part of the claimed design.

1 Claim, 8 Drawing Sheets



(56)

References Cited

U.S. PATENT DOCUMENTS

6,290,249 B1 * 9/2001 Wolf A63C 5/03
 280/14.21
 D457,587 S * 5/2002 Wolf D21/760
 D473,908 S * 4/2003 Eckert D21/766
 D501,905 S * 2/2005 Ellis D21/760
 D510,094 S * 9/2005 Bolton D14/496
 D530,384 S * 10/2006 Harrington D21/765
 D534,545 S * 1/2007 Leija D14/496
 D541,793 S * 5/2007 Katsumata D13/108
 D546,759 S * 7/2007 Marchetto D13/107
 D549,697 S * 8/2007 Jeon D14/240
 D549,698 S * 8/2007 Jeon D14/240
 D555,107 S * 11/2007 Choi D13/168
 D556,129 S * 11/2007 Choi D13/108
 D556,199 S * 11/2007 Song D14/357
 D566,708 S * 4/2008 Patton D14/480.2
 D567,238 S * 4/2008 Patton D14/480.2
 D582,878 S * 12/2008 Kimura D14/138 AD
 D583,315 S * 12/2008 Kujawski D13/107
 D587,774 S * 3/2009 Giannatos D21/761
 D592,647 S * 5/2009 L'Henaff D14/240
 D597,139 S * 7/2009 Labedz D21/325
 D610,476 S * 2/2010 Daniel D10/65
 D611,408 S * 3/2010 Ferber D13/108
 D611,899 S * 3/2010 Yang D13/108
 D611,900 S * 3/2010 Yang D13/108
 D613,263 S * 4/2010 Haberl D14/149
 D618,681 S * 6/2010 Richter D14/358
 D630,281 S * 1/2011 Ellis D21/760
 D644,989 S * 9/2011 Guccione D13/108
 D645,045 S * 9/2011 Cacioppo D14/218
 D645,910 S * 9/2011 Foster D14/496
 D647,884 S * 11/2011 Moon D14/218
 D647,920 S * 11/2011 Luo D14/496
 D655,305 S * 3/2012 Koo D14/496
 D675,196 S * 1/2013 Maddern D14/240
 D682,199 S * 5/2013 Rautiainen D13/108
 D684,193 S * 6/2013 Maier D14/496
 D690,647 S * 10/2013 Huang D13/108
 D690,695 S * 10/2013 Butterworth D14/388

D695,727 S * 12/2013 Shimizu D14/240
 D696,190 S * 12/2013 Brandtman D13/108
 D703,213 S * 4/2014 Gifford D14/447
 D707,627 S * 6/2014 Brunner D13/110
 D709,837 S * 7/2014 Charleux D13/168
 D710,808 S * 8/2014 Charleux D13/168
 D713,811 S * 9/2014 Isaacs D14/138 AA
 D718,265 S * 11/2014 Lee D14/138 G
 D723,504 S * 3/2015 Reimer D14/155
 D726,106 S * 4/2015 Aber D13/103
 D728,530 S * 5/2015 Shin D14/218
 D730,311 S * 5/2015 Reimer D14/155
 D734,290 S * 7/2015 Reimer D14/155
 D736,706 S * 8/2015 Huang D13/108
 D738,347 S * 9/2015 Reimer D14/155
 D741,833 S * 10/2015 Reimer D14/155
 D750,020 S * 2/2016 Song D13/108
 D752,013 S * 3/2016 Benedetti D14/204
 D752,556 S * 3/2016 Eriksen D14/218
 D754,599 S * 4/2016 Yang D13/108
 D762,215 S * 7/2016 Luttrell D14/388
 D776,112 S * 1/2017 Bae D14/374
 D776,656 S * 1/2017 Lagerstedt D14/358
 D776,657 S * 1/2017 Lagerstedt D14/358
 D777,696 S * 1/2017 Nichols D14/125
 D778,365 S * 2/2017 Kott D20/43
 D781,811 S * 3/2017 Chanay D14/155
 D785,564 S * 5/2017 Lee D13/108
 D786,804 S * 5/2017 Desagre D13/168
 D788,048 S * 5/2017 Fiedler D13/162.1
 D788,700 S * 6/2017 Yang D13/108
 D800,136 S * 10/2017 Chen D14/451

OTHER PUBLICATIONS

Date transmission Devices—Routers—Base Stations. (Design—© Questel). orbit.com.[online PDF] 26 pgs. Print Dates range Feb. 21, 2011 through Mar. 17, 2017. [Retrieved on Nov. 2, 2017] <https://sobjprd.questel.fr/export/QPTUJ214/pdf2/273a154d-4fed-40ec-97bc-f801eae6f8c0-204121.pdf>.*

* cited by examiner

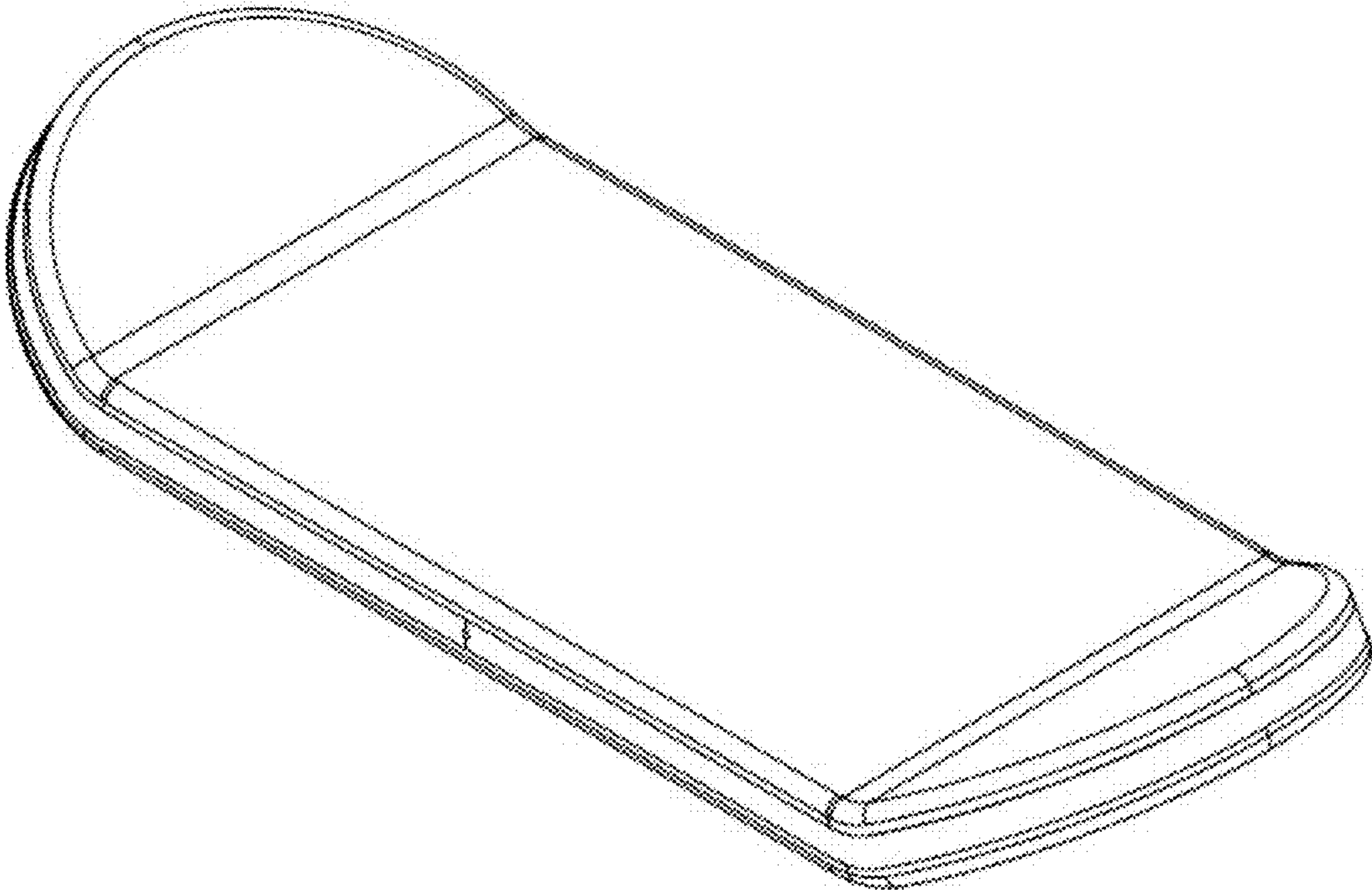


FIG. 1

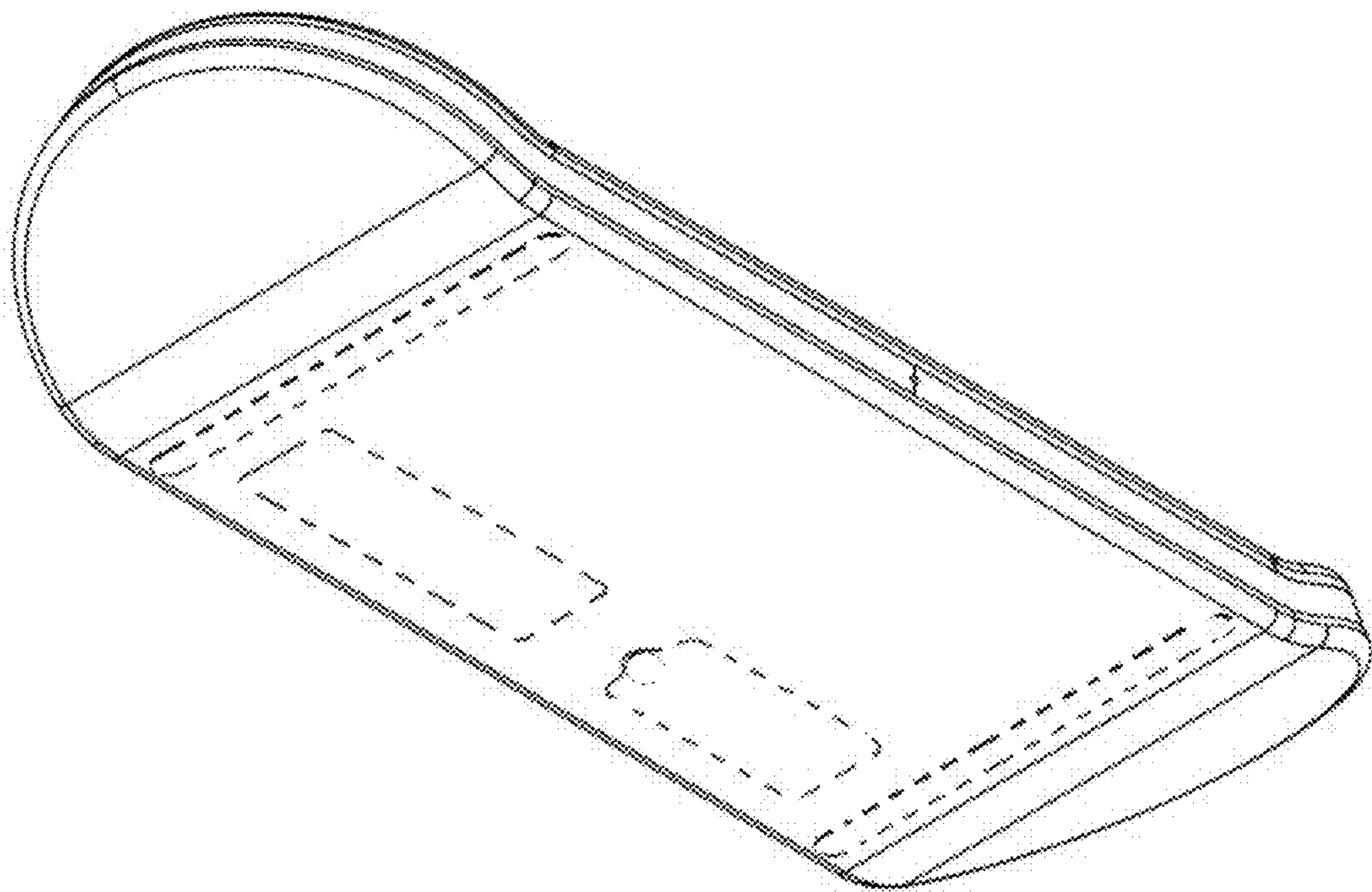


FIG. 2

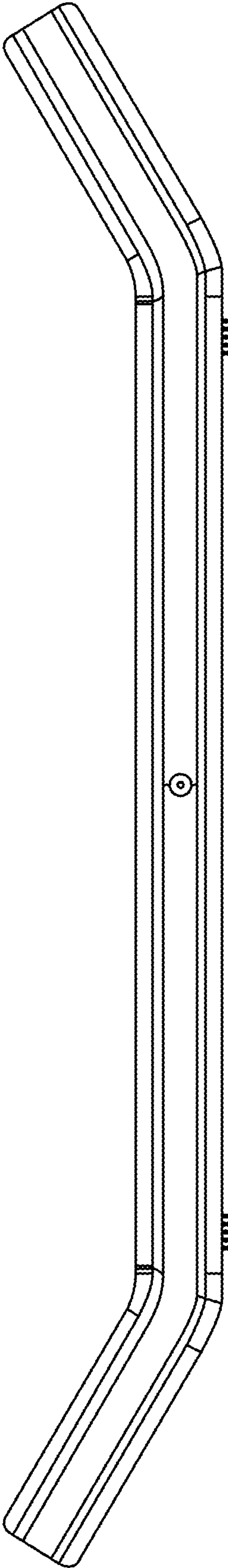


FIG. 3

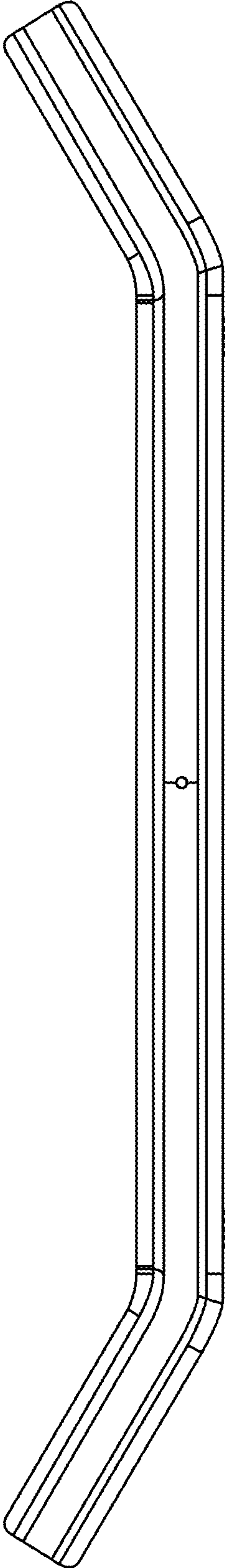


FIG. 4

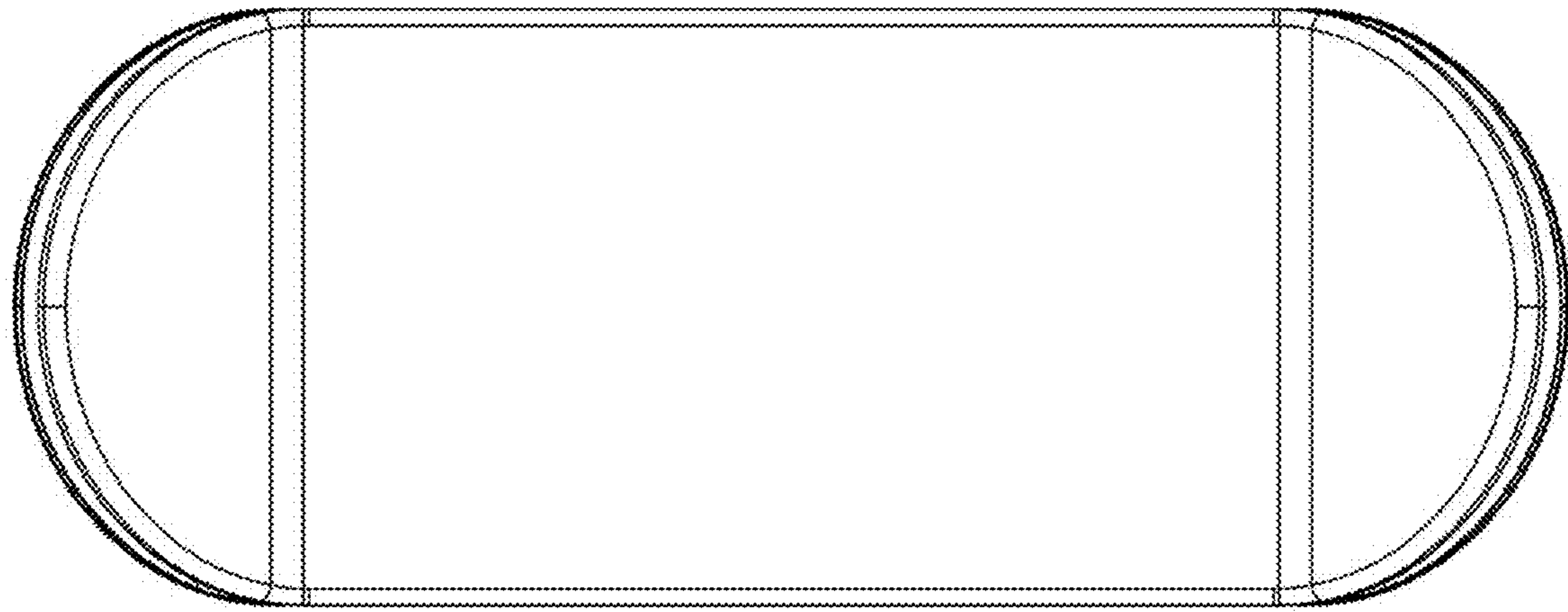


FIG. 5

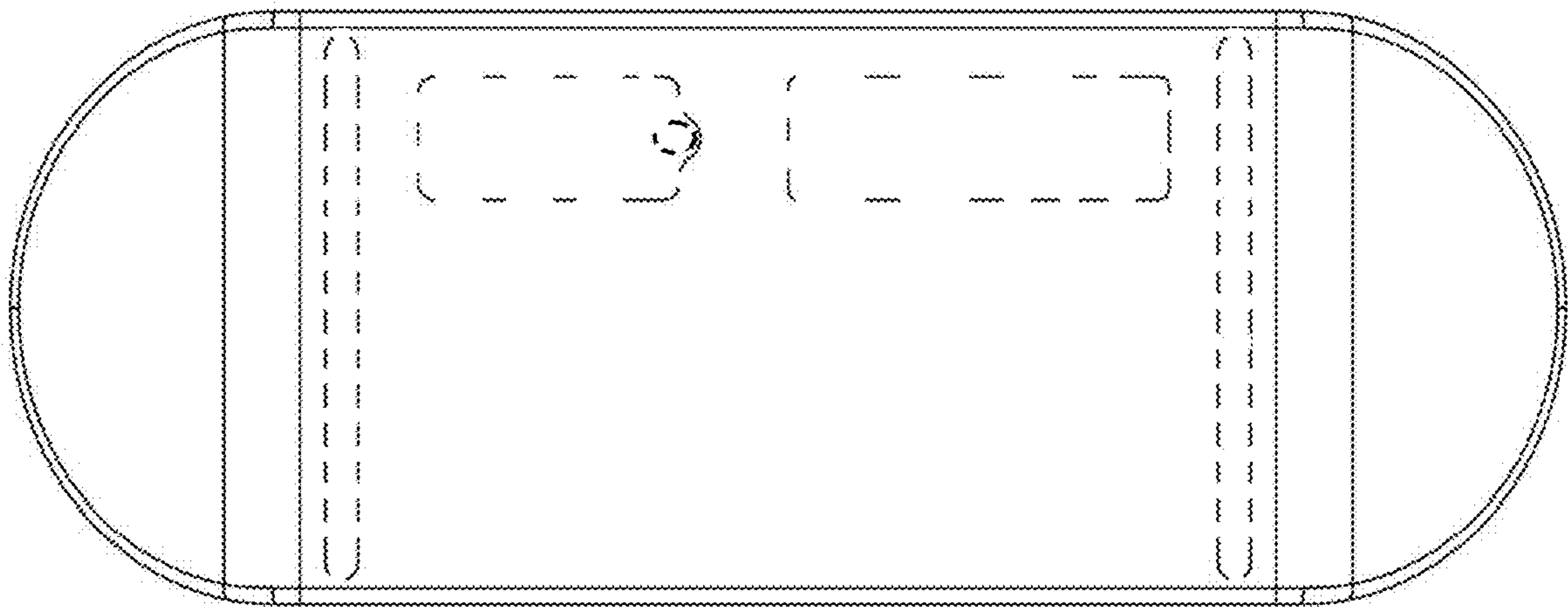


FIG. 6

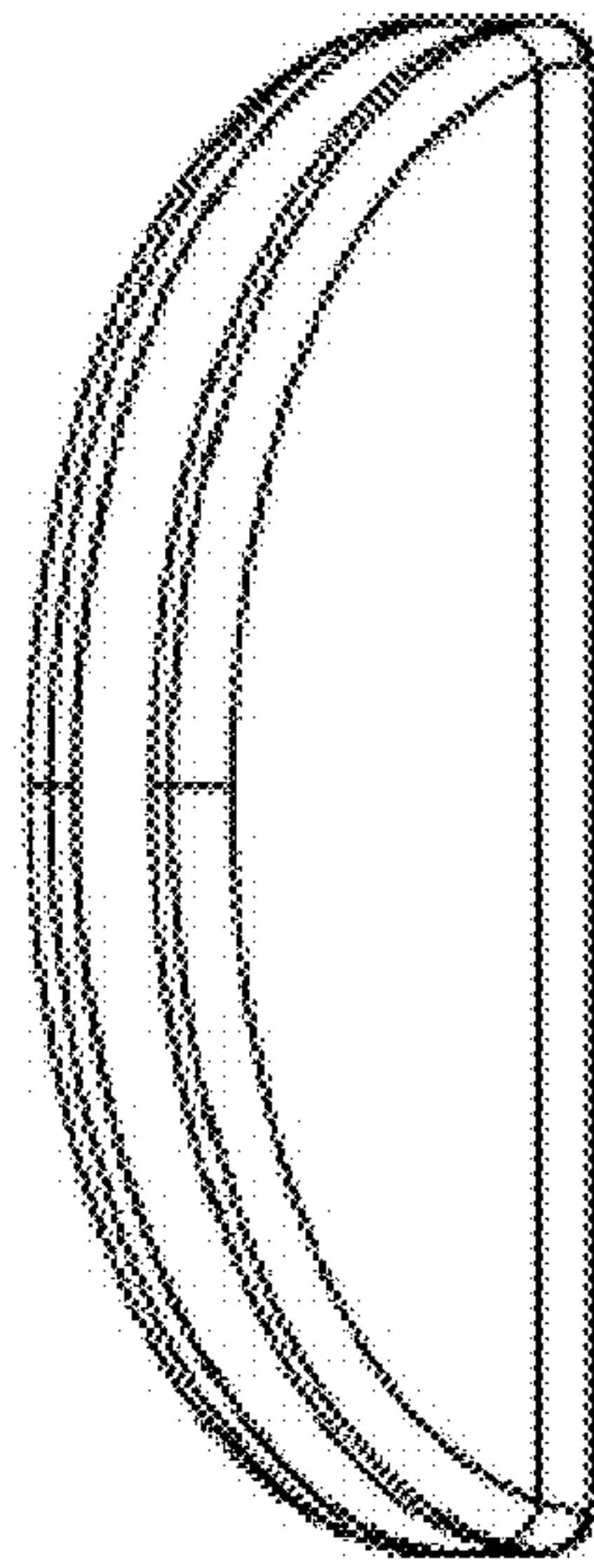


FIG. 7

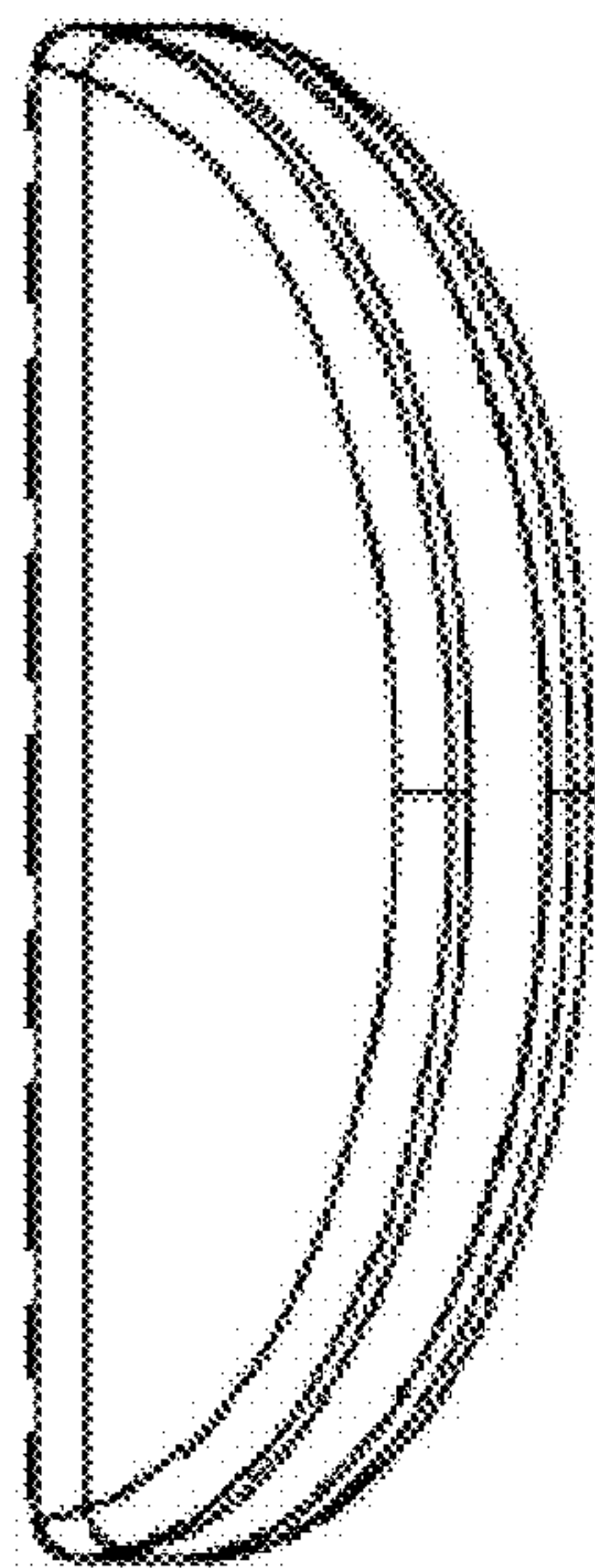


FIG. 8