



US00D839916S

(12) **United States Design Patent** (10) **Patent No.:** **US D839,916 S**
Taylor et al. (45) **Date of Patent:** **** Feb. 5, 2019**

(54) **AVIONICS DISPLAY WITH ICON**

- (71) Applicant: **Rockwell Collins, Inc.**, Cedar Rapids, IA (US)
- (72) Inventors: **Max G. Taylor**, Hiawatha, IA (US); **Shawn M. Spencer**, Cedar Rapids, IA (US); **Jennifer A. Myren**, Marion, IA (US); **Matthew Jacob Cunnien**, Marion, IA (US); **Michael J. Armstrong**, Central City, IA (US); **Peter J. Flugstad**, Marion, IA (US); **Roy Allen Rhodes**, Marion, IA (US); **Ryan J. Olson**, Marion, IA (US); **Scott E. Schultz**, Cedar Rapids, IA (US)
- (73) Assignee: **Rockwell Collins, Inc.**, Cedar Rapids, IA (US)
- (**) Term: **15 Years**
- (21) Appl. No.: **29/655,239**
- (22) Filed: **Jul. 2, 2018**

Related U.S. Application Data

- (62) Division of application No. 29/501,517, filed on Sep. 4, 2014, now Pat. No. Des. 822,060.
- (51) **LOC (11) Cl.** **14-04**
- (52) **U.S. Cl.**
USPC **D14/489**
- (58) **Field of Classification Search**
USPC D14/485-495; D18/24-33; D20/10, 11, D20/22-33, 39, 40; D5/20, 26, 30, 40, D5/63-65

(Continued)

(56) **References Cited**

U.S. PATENT DOCUMENTS

D29,479 S 10/1898 Barth
5,415,549 A 5/1995 Logg

(Continued)

OTHER PUBLICATIONS

Messaging Link Icon, by Icons8, iconarchive.com [online], published on Jul. 24, 2014, [retrieved on Sep. 26, 2018], retrieved from the Internet <URL: http://www.iconarchive.com/show/ios7-icons-by-icons8/Messaging-Link-icon.html> (Year: 2014).*

(Continued)

Primary Examiner — Cathron C Brooks

Assistant Examiner — Ian F Whitmore

(74) *Attorney, Agent, or Firm* — Angel N. Gerdzhikov; Donna P. Suchy; Daniel M. Barbieri

(57) **CLAIM**

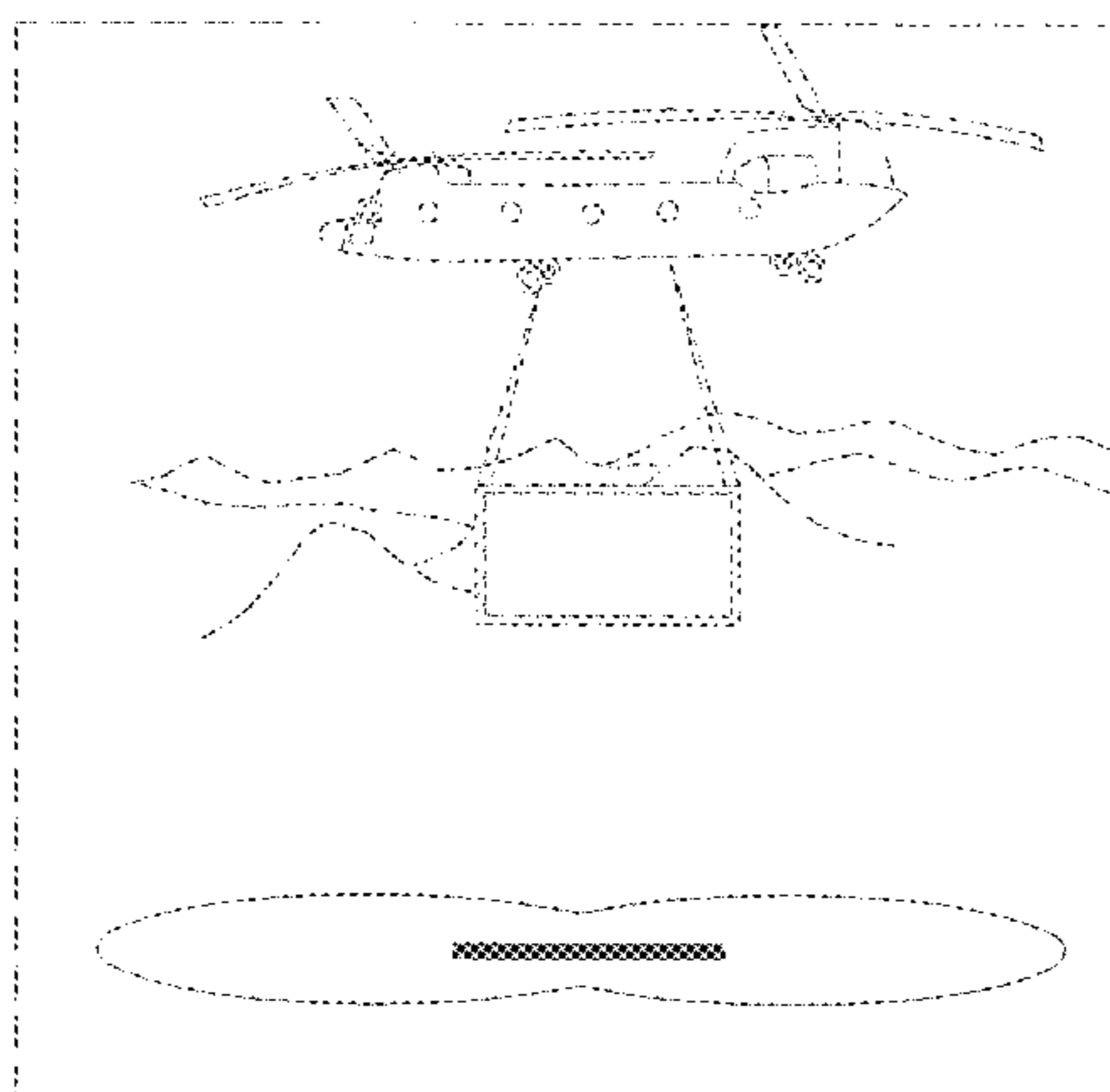
The ornamental design for the avionics display with icon, as shown and described.

DESCRIPTION

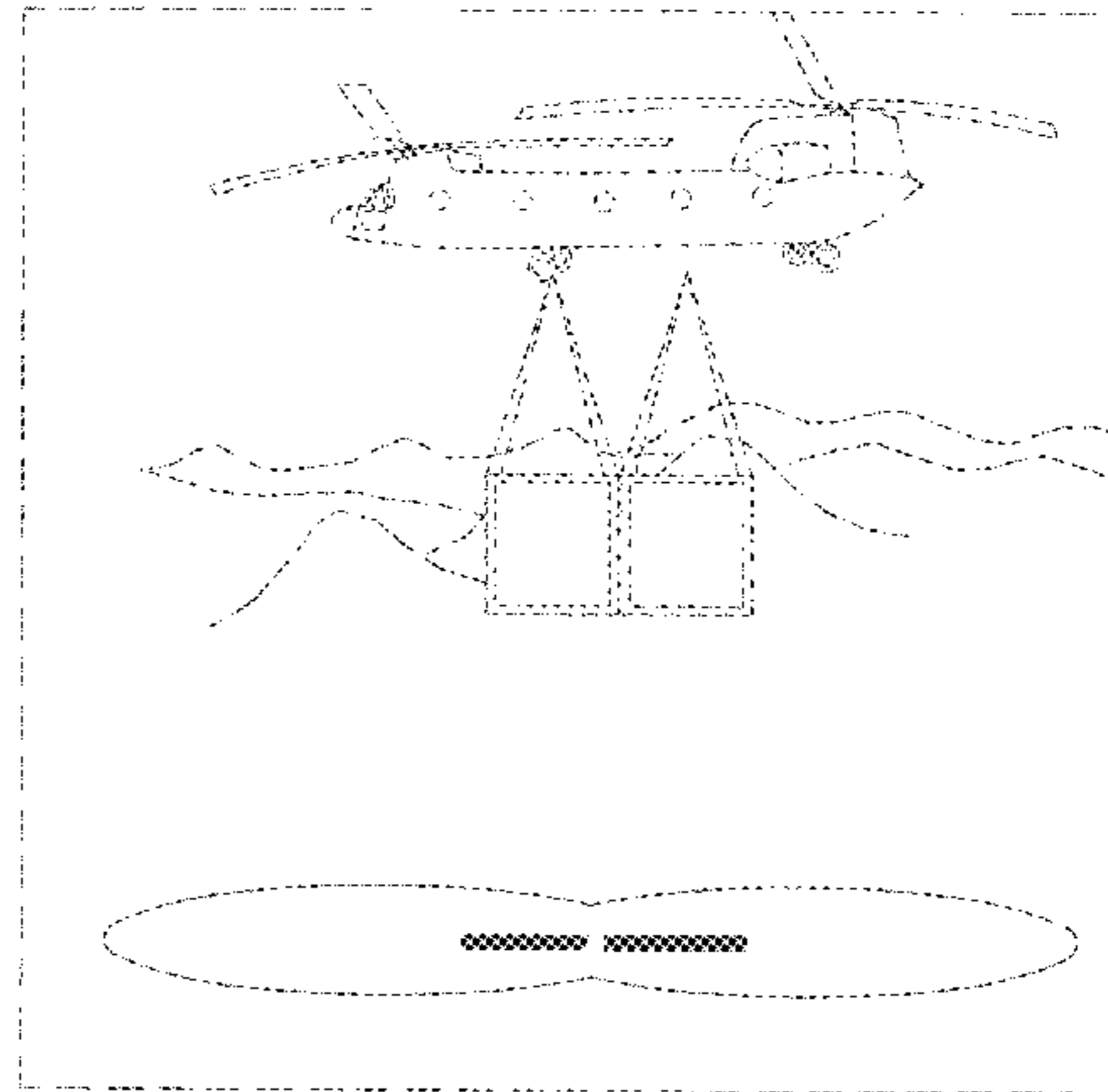
A portion of the disclosure of this patent document contains material subject to copyright protection. The copyright owner has no objection to the facsimile reproduction by anyone of the patent document or the patent disclosure, as it appears in the Patent and Trademark Office patent file or records, but otherwise reserves all copyright rights whatsoever.

FIG. 1 is a front view of a portion of an avionics display with icon showing a first embodiment of the claimed design; and, FIG. 2 is a front view of a portion of an avionics display with icon showing a second embodiment of the claimed design. The outermost broken-line rectangle illustrates a portion of an avionics display and forms no part of the claimed design. The remaining broken lines illustrate portions of a graphical user interface and form no part of the claimed design. The claimed design for an “avionics display with icon” is used as a visual instrument interface for assisting spatial awareness of loading and unloading position, and the position of other aircraft.

1 Claim, 2 Drawing Sheets



© Rockwell Collins, Inc.



© Rockwell Collins, Inc.

(58) **Field of Classification Search**
 CPC G06F 3/048-3/04897; G06F 17/50; G06F
 3/033; G06F 17/30061; A63F 2300/66;
 A63F 2300/8082; H04L 29/08684; G01C
 21/36

See application file for complete search history.

(56) **References Cited**

U.S. PATENT DOCUMENTS

5,425,109 A * 6/1995 Saga G06F 3/04845
 345/441
 5,490,241 A * 2/1996 Mallgren G06F 3/04842
 345/419
 D406,263 S * 3/1999 Wilsher D14/487
 D432,100 S 10/2000 Zink et al.
 D448,422 S 9/2001 Fredriksson
 D459,362 S 6/2002 Platz et al.
 D466,904 S 12/2002 McIntosh
 6,657,627 B1 12/2003 Wada et al.
 D547,365 S * 7/2007 Reyes D18/27
 D568,336 S 5/2008 Miglietta et al.
 D580,947 S 11/2008 Onai et al.
 D598,029 S 8/2009 Lara et al.
 D601,571 S 10/2009 Vu et al.
 D625,318 S 10/2010 Jasinski
 D644,241 S 8/2011 Lemay
 D647,128 S 10/2011 Lewis et al.
 D652,842 S * 1/2012 Obama D14/489
 D664,150 S 7/2012 Boyer et al.
 D667,429 S * 9/2012 Wujcik D14/489
 D681,668 S * 5/2013 Phelan D14/489
 D703,692 S * 4/2014 Phelan D14/488
 8,803,727 B2 8/2014 Muensterer et al.
 D726,758 S 4/2015 Bourret et al.
 D727,335 S * 4/2015 Allison D14/485
 D729,819 S * 5/2015 Beaty D14/485
 D758,395 S 6/2016 Gutierrez et al.
 D758,434 S 6/2016 Lee et al.
 D759,698 S * 6/2016 Kirsch D14/487
 D760,234 S 6/2016 Aoshima
 D761,834 S 7/2016 Debitsch et al.
 D763,301 S 8/2016 Murillo et al.
 D766,321 S 9/2016 Han et al.
 D768,184 S 10/2016 Mariet et al.
 D770,522 S 11/2016 Crone et al.
 D772,267 S * 11/2016 Tanabe D14/486
 D778,949 S 2/2017 Han et al.
 D782,502 S * 3/2017 Wu D14/485
 D782,515 S 3/2017 Dzijind et al.
 D783,676 S 4/2017 Kim et al.
 D784,399 S 4/2017 Herrera et al.
 D792,894 S 7/2017 Dzijind et al.
 D815,665 S * 4/2018 Li D14/488
 D820,305 S * 6/2018 Clediere D14/488
 D822,057 S * 7/2018 Kim D14/489
 D824,932 S * 8/2018 Joensson D14/485
 2004/0056859 A1 3/2004 Ohba et al.
 2004/0183697 A1 9/2004 Rogers et al.

2007/0182590 A1 8/2007 Younkin
 2007/0222665 A1 9/2007 Koeneman
 2008/0111814 A1 5/2008 Sengamedu et al.
 2008/0180406 A1 7/2008 Han et al.
 2010/0001998 A1 1/2010 Mandella et al.
 2010/0090968 A1 4/2010 Lee et al.
 2010/0194746 A1 8/2010 Barbina et al.
 2010/0204953 A1 8/2010 Onishi et al.
 2012/0151394 A1 6/2012 Locke
 2013/0325316 A1 12/2013 Vos et al.
 2014/0024365 A1 1/2014 Mitchell
 2014/0081484 A1 3/2014 Covington et al.
 2014/0324253 A1 10/2014 Duggan et al.
 2015/0015481 A1 1/2015 Li
 2015/0177957 A1 6/2015 Bae et al.

OTHER PUBLICATIONS

Trademark Registration Serial No. 77758821, Aug. 31, 2007 (first use date), (Registrant) Women's Leadership Exchange LLC Limited Liability Company, New York, (Year: 2007).*

Trademark Registration Serial No. 78066750, Apr. 23, 2002 (first use date), (Registrant) Espinosa, Christopher Thomas Individual, Texas, (Year: 2002).*

Trademark Registration Serial No. 72163407, Jan. 10, 1963 (first use date), (Registrant) Rocket Power, Inc. Corporation, Arizona, (Year: 1963).*

Trademark Registration Serial No. 71008670, Apr. 29, 1874 (first use date), (Registrant) Baldwins. Limited Corporation, Great Britain, (Year: 1874).*

Trademark Registration Serial No. 73634879, Oct. 15, 1986 (first use date), (Registrant) Tai First Enterprises, Ltd. Corporation, Taiwan, (Year: 1986).*

Adaptive Control System for Autonomous Helicopter Slung Load Operations, by Bisgaard et al., sciencedirect.com [online], published on 2010-07-00, [retrieved on Feb. 7, 2018], retrieved from the Internet <URL: <https://www.sciencedirect.com/science/article/pii/S0967066110000341>> (Year: 2010).

Azimuth, maryrosaries.com [online], published Oct. 27, 2010, [retrieved Oct. 17, 2017], retrieved from the Internet <URL: http://www.maryrosaries.com/collaboration/index.php?title=File:Azimuth_003.svg.png>.

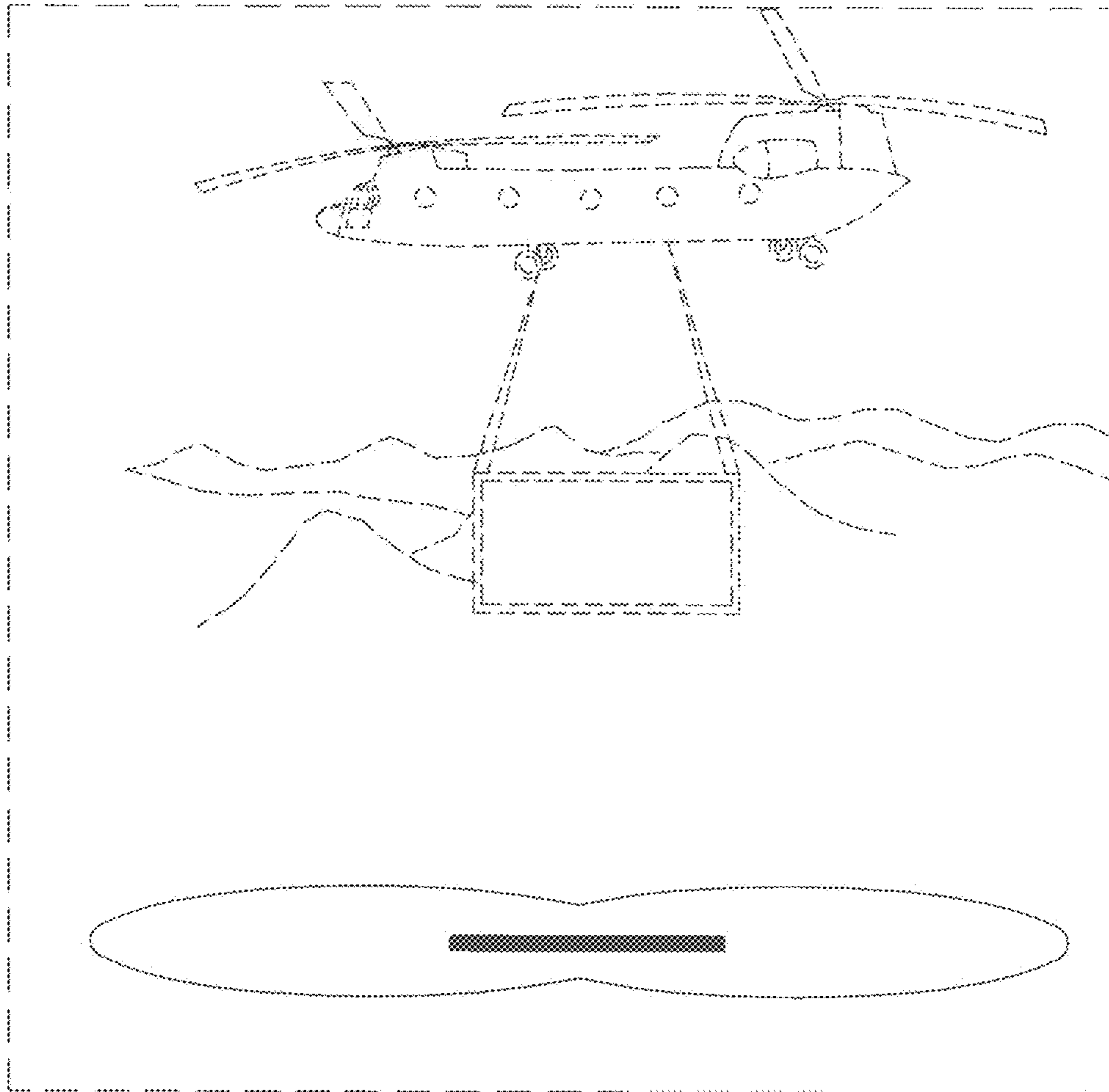
Geocentric Coordinates, by Mercator, wikipedia.org [online], published Dec. 18, 2011, [retrieved Oct. 17, 2017], retrieved from the Internet <URL: https://en.wikipedia.org/wiki/File:Geocentric_coordinates.svg>.

Symbol Sourcebook, by Dreyruss, Van Nostrand Reinhold Company, Inc., New York, NY © 1972, p. 26-27.

Understanding Gyroscopes, by Van Belle, readingfeynman.org [online], published Jun. 9, 2014, [retrieved Oct. 16, 2017], retrieved from the Internet <URL: <https://readingfeynman.org/tag/rotational-motion/>>.

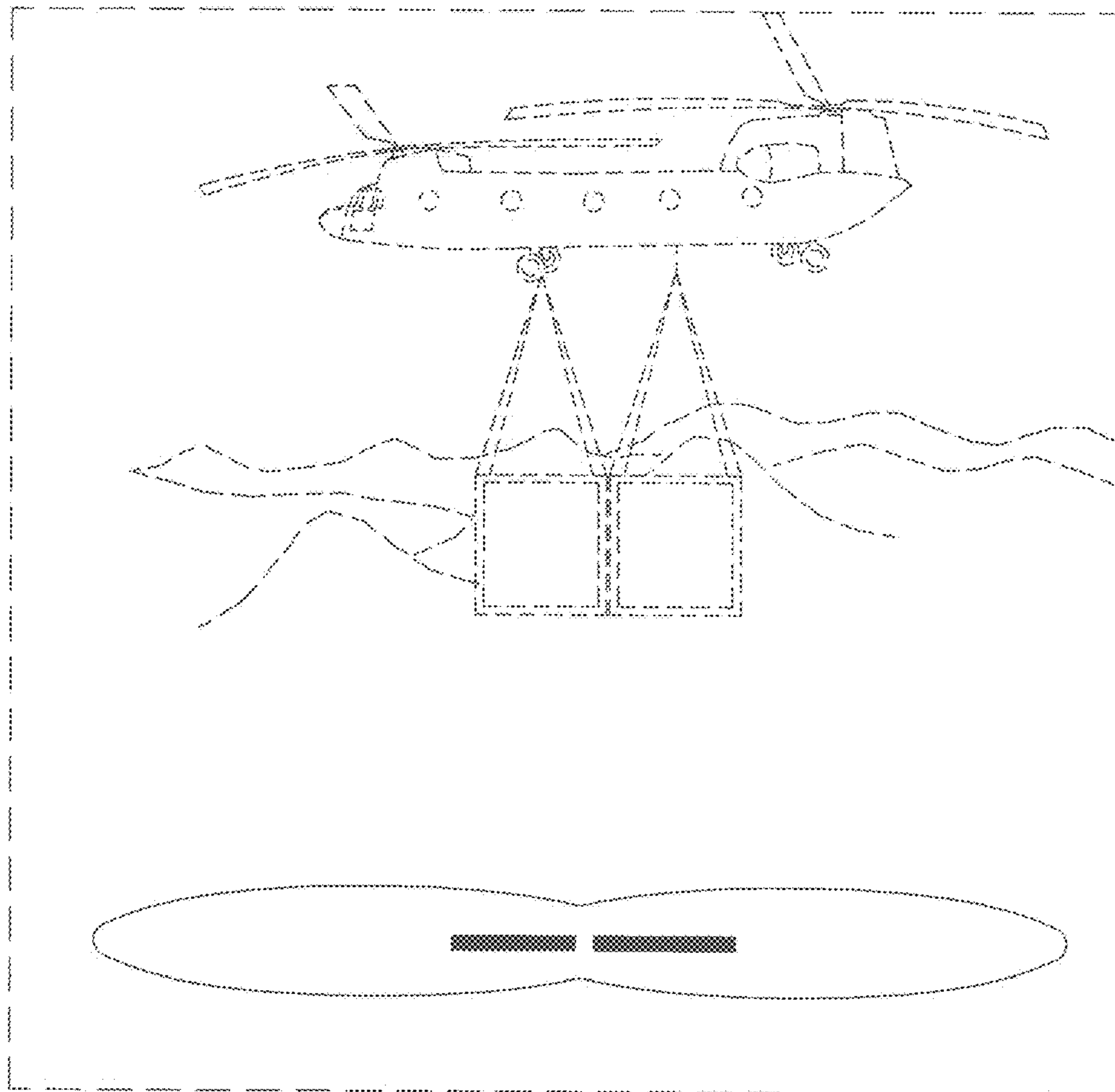
3DHelicopter Parking Simulator Games, 148apps.com [online], published on May 11, 2014, [retrieved on Feb. 7, 2018], retrieved from the Internet <URL: <http://www.148apps.com/app/859930514/>> (Year: 2014).

* cited by examiner



© Rockwell Collins, Inc.

FIG. 1



© Rockwell Collins, Inc.

FIG. 2