



US00D839895S

(12) **United States Design Patent**
Dell

(10) **Patent No.:** **US D839,895 S**

(45) **Date of Patent:** **** Feb. 5, 2019**

(54) **DISPLAY SCREEN WITH GRAPHICAL USER INTERFACE**

(71) Applicant: **Robert Bosch GmbH**, Stuttgart (DE)

(72) Inventor: **Hermann Dell**, München (DE)

(73) Assignee: **Robert Bosch GmbH**, Stuttgart (DE)

(**) Term: **15 Years**

(21) Appl. No.: **29/572,370**

(22) Filed: **Jul. 27, 2016**

(30) **Foreign Application Priority Data**

Jan. 27, 2016 (EM) 002961672

(51) **LOC (11) Cl.** **14-04**

(52) **U.S. Cl.**
USPC **D14/486**

(58) **Field of Classification Search**
USPC D14/485-495; D12/572, 579, 581-586,
D12/590-591

CPC .. G06F 3/0481; G06F 3/04817; G06F 3/0482;
G06F 3/0488; G06F 3/04883; G06F
3/04842; G06F 3/04847

See application file for complete search history.

(56) **References Cited**

U.S. PATENT DOCUMENTS

D413,556 S *	9/1999	Krupa	D12/591
D426,795 S *	6/2000	Oliver	D12/586
D429,187 S *	8/2000	Galante	D12/554
D429,480 S *	8/2000	Bonko	D12/500
D484,456 S *	12/2003	Irimiya	D12/590
7,382,913 B2 *	6/2008	Dorranc	G01B 11/2755 29/273
D606,011 S *	12/2009	Ohara	D12/590
D610,967 S *	3/2010	Ohara	D12/518
D611,891 S *	3/2010	Ohara	D12/579
D635,915 S *	4/2011	Hamada	D12/588

D665,729 S *	8/2012	Lundgren	D12/570
D669,842 S *	10/2012	Buchinger-Barnstorf ...	D12/590
D675,979 S *	2/2013	Ohara	D12/586
D730,271 S *	5/2015	Lundgren	D12/585
D732,465 S *	6/2015	Yamada	D12/588
D746,765 S *	1/2016	Hutz	D12/588
D749,612 S *	2/2016	Noack	D14/486
D749,613 S *	2/2016	Noack	D14/486
D749,614 S *	2/2016	Noack	D14/486
D749,615 S *	2/2016	Noack	D14/486
D749,616 S *	2/2016	Noack	D14/486
D749,618 S *	2/2016	Noack	D14/486
9,300,864 B2 *	3/2016	Cerruti	G01B 11/2755
D758,292 S *	6/2016	Kristen	D12/586
D762,559 S *	8/2016	Kristen	D12/588

(Continued)

OTHER PUBLICATIONS

EN I Bosch FWA 9000 Wheel Alignment—Product Information Video, Bosch Auto Tools, published Mar. 24, 2016, youtube.com [online] , [retrieved Aug. 28, 2017]. Available from internet <URL:https://www.youtube.com/watch?v=thKO-PAqnaA>.*

(Continued)

Primary Examiner — Cathron C Brooks
Assistant Examiner — Andrew T Nemeth
(74) *Attorney, Agent, or Firm* — Maginot, Moore & Beck LLP

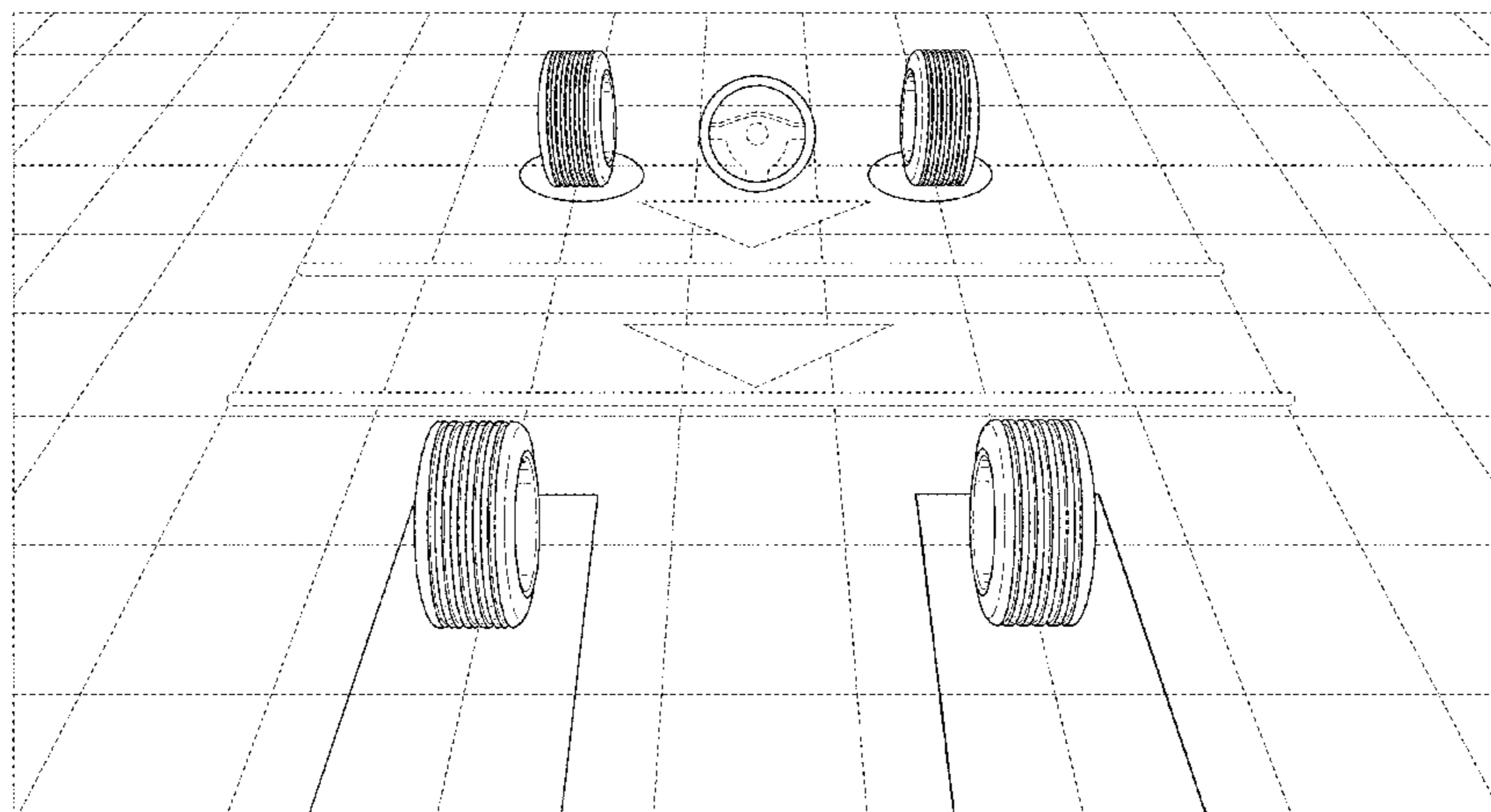
(57) **CLAIM**

The ornamental design for a display screen with graphical user interface, as shown and described.

DESCRIPTION

The FIGURE is a front view of a display screen with graphical user interface showing my new design. The broken lines shown in the FIGURE illustrate portions of the display screen with graphical user interface that form no part of the claimed design.

1 Claim, 1 Drawing Sheet



(56)

References Cited

U.S. PATENT DOCUMENTS

D780,101 S * 2/2017 Brown D12/590
9,587,934 B2 * 3/2017 Rogers G01B 11/2755
D806,105 S * 12/2017 Dell D14/486
D813,259 S * 3/2018 Dell D14/486
D813,260 S * 3/2018 Dell D14/486
D813,261 S * 3/2018 Dell D14/486
D813,889 S * 3/2018 Dell D14/486
D814,495 S * 4/2018 Dell D14/486
D815,125 S * 4/2018 Dell D14/486
2005/0096807 A1 * 5/2005 Murray G01B 11/272
33/288
2011/0209074 A1 * 8/2011 Gill G06Q 10/20
715/760

OTHER PUBLICATIONS

Beautiful vector illustration of car tires . . . , by #1587230, published
Nov. 30, 2015, iconswebsite.com [online], [retrieved Nov. 7, 2017].
Retrieved from internet: See footer of NPL for URL (Year: 2015).*

* cited by examiner

