



US00D839891S

(12) **United States Design Patent** (10) **Patent No.:** **US D839,891 S**
Buchter et al. (45) **Date of Patent:** **** Feb. 5, 2019**

- (54) **DISPLAY SCREEN OR A PORTION THEREOF WITH GRAPHICAL USER INTERFACE**
- (71) Applicant: **Cox Automotive, Inc.**, Atlanta, GA (US)
- (72) Inventors: **Drew Buchter**, Atlanta, GA (US);
Shannon Rowe, Atlanta, GA (US);
Greg Hearn, Atlanta, GA (US)
- (73) Assignee: **Cox Automotive, Inc.**, Atlanta, GA (US)
- (**) Term: **15 Years**
- (21) Appl. No.: **29/649,575**
- (22) Filed: **May 31, 2018**

D655,719 S	3/2012	Zaman et al.	
D689,096 S	9/2013	Nagaoka et al.	
D712,421 S	9/2014	Inose et al.	
D729,265 S	5/2015	Mariet et al.	
D730,372 S	5/2015	Mariet et al.	
D730,923 S	6/2015	Mariet et al.	
D732,071 S	6/2015	Paszkowicz et al.	
D746,835 S	1/2016	Yamasaki et al.	
D749,611 S	2/2016	Noack et al.	
D749,612 S	2/2016	Noack et al.	
D749,613 S	2/2016	Noack et al.	
D749,614 S	2/2016	Noack et al.	
D749,615 S	2/2016	Noack et al.	
D749,616 S	2/2016	Noack et al.	
D749,618 S	2/2016	Noack et al.	
D758,443 S *	6/2016	Kang	D14/492
D759,056 S	6/2016	Inoue	
D765,089 S	8/2016	Agee	
D774,523 S	12/2016	Agee	
D774,524 S	12/2016	Agee	
D799,543 S *	10/2017	Swanson	D14/492
D806,104 S	12/2017	Dell	
D806,105 S	12/2017	Dell	

(Continued)

Related U.S. Application Data

- (62) Division of application No. 29/599,413, filed on Apr. 3, 2017.
- (51) **LOC (11) Cl.** **14-04**
- (52) **U.S. Cl.**
USPC **D14/485**
- (58) **Field of Classification Search**
USPC D14/485, 486, 492, 489, 490, 493;
D20/11
CPC G06F 3/048; G06F 3/0481; G06F 3/04812;
G06F 3/04815; G06F 3/0482; G06F
3/0487
See application file for complete search history.

Primary Examiner — Melanie H Tung

(74) *Attorney, Agent, or Firm* — Eversheds Sutherland (US) LLP

(57) **CLAIM**

The ornamental design for a display screen or a portion thereof with graphical user interface, as shown and described.

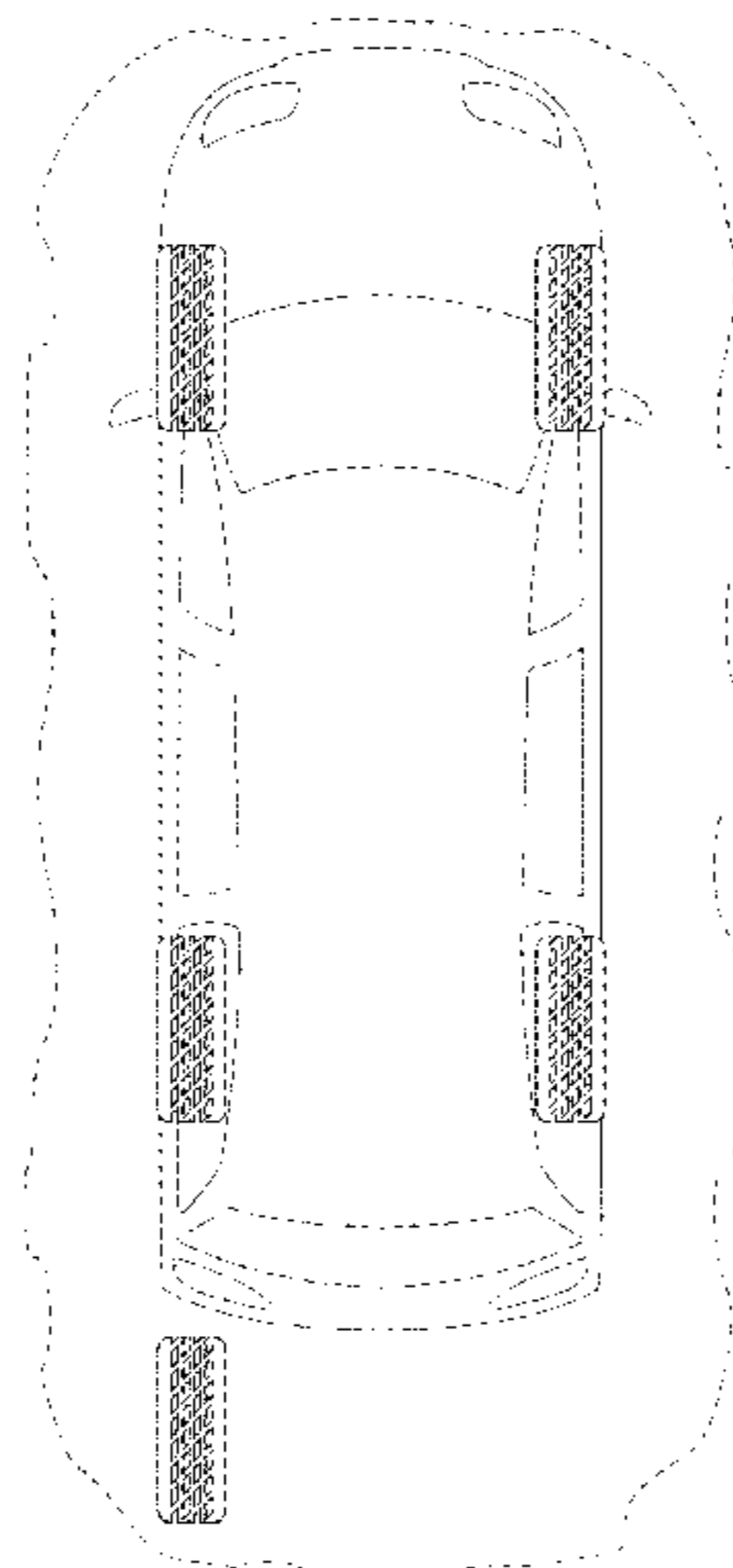
DESCRIPTION

FIG. 1 is a view of a display screen or a portion thereof with graphical user interface;
FIG. 2 is a view of a second embodiment thereof;
FIG. 3 is a view of a third embodiment thereof; and,
FIG. 4 is a view of a fourth embodiment thereof.
The outer broken line represents a display screen or a portion thereof and forms no part of the claimed design.

(56) **References Cited**
U.S. PATENT DOCUMENTS

D568,336 S	5/2008	Miglietta et al.
D589,054 S	3/2009	Koursoumidis
7,624,065 B2	11/2009	Schoen et al.

1 Claim, 4 Drawing Sheets



(56)

References Cited

U.S. PATENT DOCUMENTS

D808,424 S *	1/2018	Fox	D14/492
D813,259 S	3/2018	Dell	
D813,260 S	3/2018	Dell	
D813,261 S	3/2018	Dell	
D814,495 S	4/2018	Dell	
D819,695 S *	6/2018	Rowe	D14/492
D820,312 S *	6/2018	Rowe	D14/492
2014/0258854 A1	9/2014	Li	

* cited by examiner

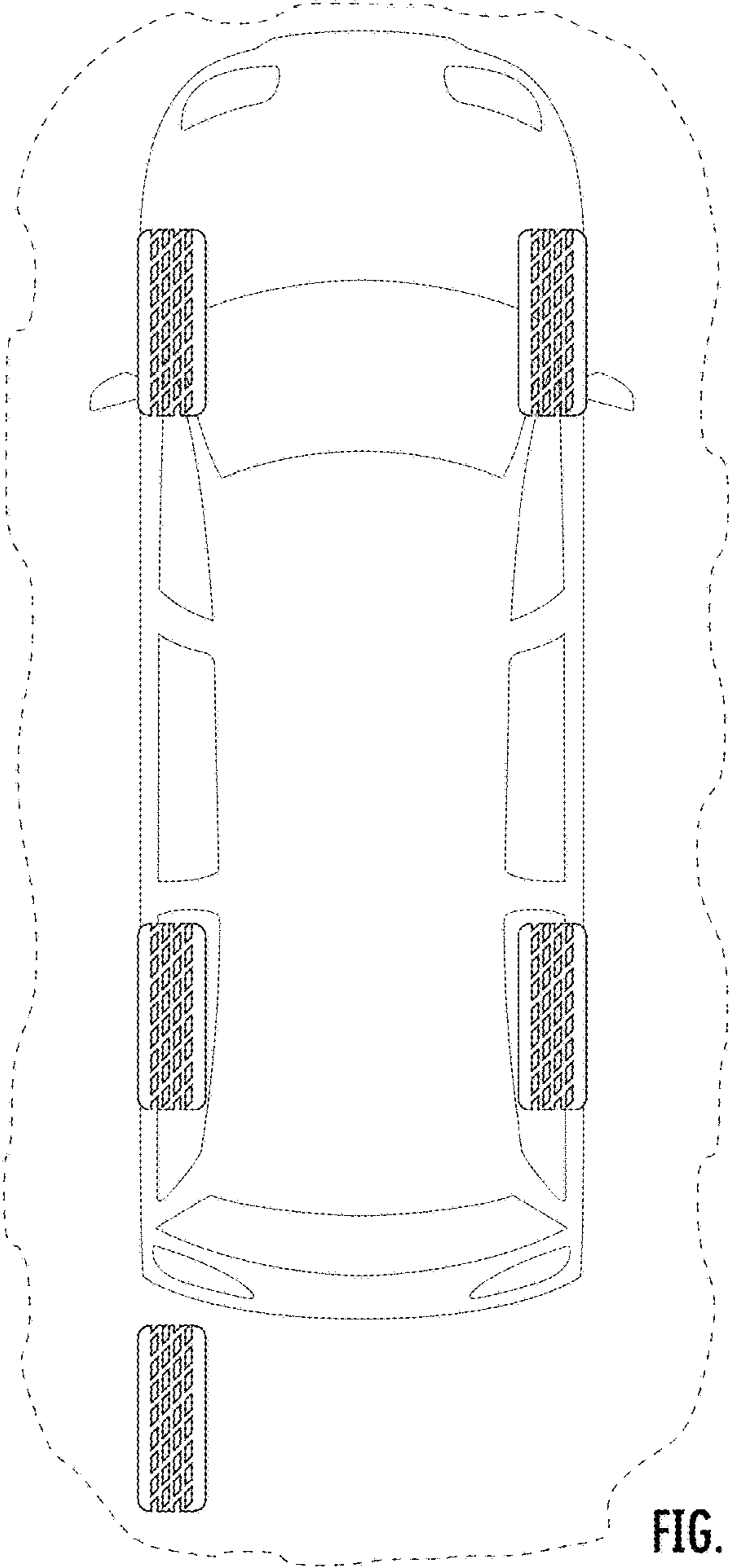


FIG. 1

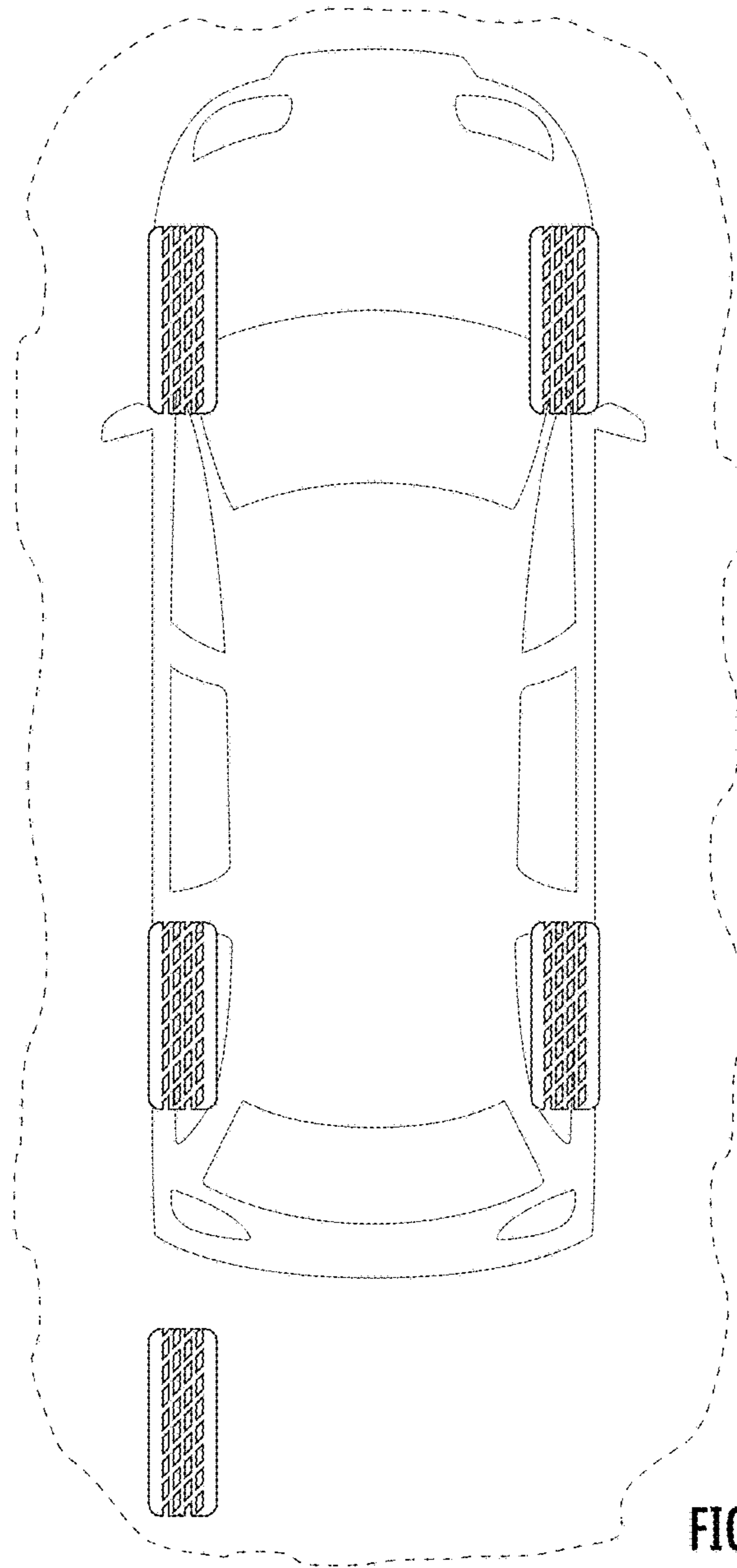


FIG. 2

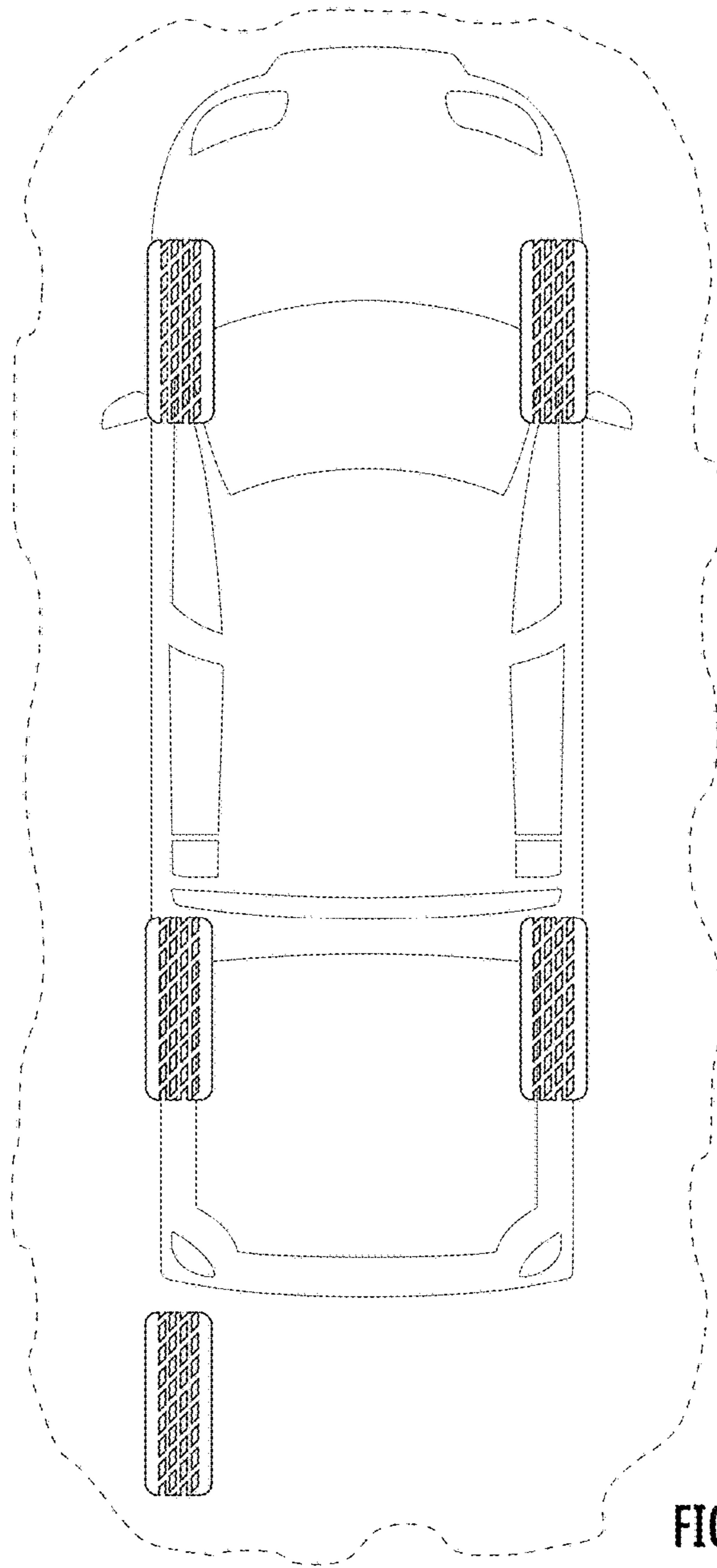


FIG. 3

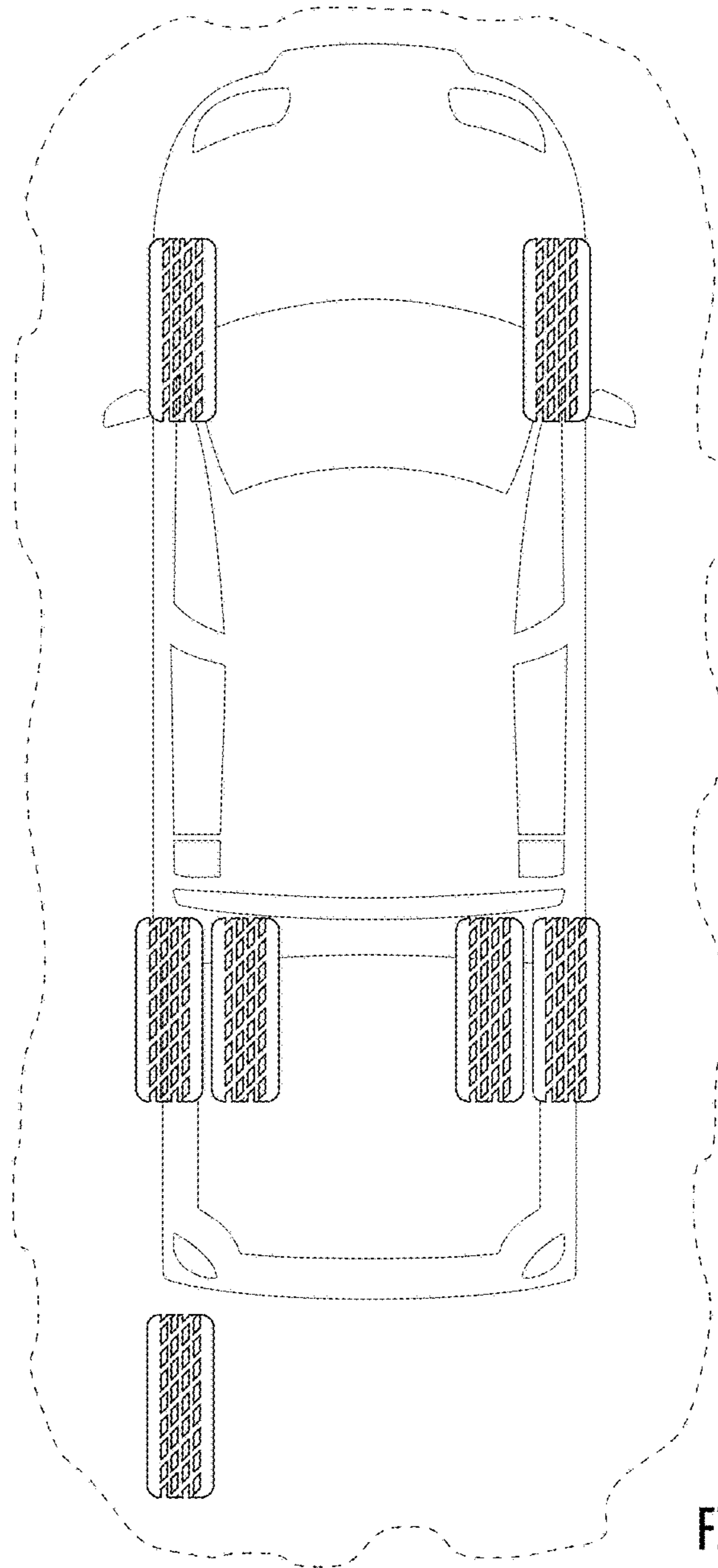


FIG. 4