

US00D839878S

(12) **United States Design Patent**
Ishii et al.

(10) **Patent No.:** **US D839,878 S**
(45) **Date of Patent:** **** Feb. 5, 2019**

(54) **DISPLAY PANEL OR SCREEN WITH ANIMATED GRAPHICAL USER INTERFACE**

(71) Applicant: **Sony Corporation**, Tokyo (JP)

(72) Inventors: **Tomohiro Ishii**, Tokyo (JP); **Kunihito Sawai**, Kanagawa (JP); **Kazuto Nishizawa**, Saitama (JP)

(73) Assignee: **SONY CORPORATION**, Tokyo (JP)

(**) Term: **15 Years**

(21) Appl. No.: **29/537,882**

(22) Filed: **Aug. 28, 2015**

(30) **Foreign Application Priority Data**

Mar. 31, 2015	(JP)	2015-007038
Mar. 31, 2015	(JP)	2015-007039
Mar. 31, 2015	(JP)	2015-007040
Mar. 31, 2015	(JP)	2015-007041
Mar. 31, 2015	(JP)	2015-007042
Mar. 31, 2015	(JP)	2015-007053
Mar. 31, 2015	(JP)	2015-007054

(Continued)

(51) **LOC (11) Cl.** **14-04**

(52) **U.S. Cl.**
USPC **D14/485**

(58) **Field of Classification Search**
USPC D14/485-495

(Continued)

(56) **References Cited**

U.S. PATENT DOCUMENTS

D456,028 S	4/2002	Sakata	
D603,421 S	* 11/2009	Ebeling D14/489

(Continued)

FOREIGN PATENT DOCUMENTS

CN	303095828 S	2/2015
JP	D1373670 S	11/2009

(Continued)

OTHER PUBLICATIONS

Office Action issued in Japanese Design Application No. 2015-007225, dated Oct. 7, 2016.

(Continued)

Primary Examiner — Richelle G Shelton

(74) *Attorney, Agent, or Firm* — Michael Best and Friedrich LLP

(57) **CLAIM**

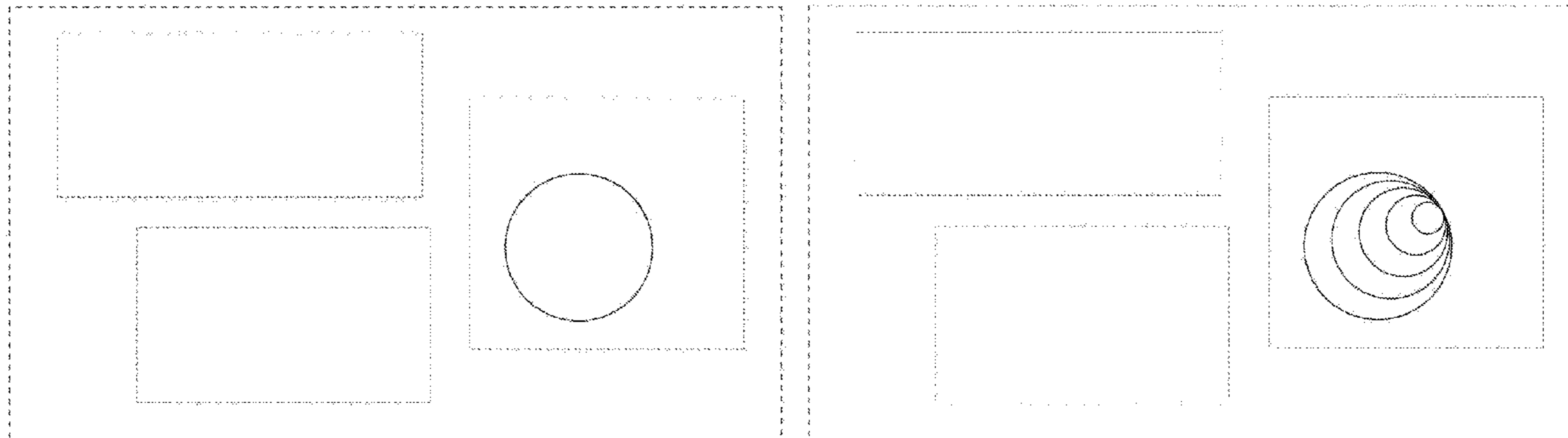
The ornamental design for a display panel or screen with animated graphical user interface, as shown and described.

DESCRIPTION

FIG. 1 is a first front view of a display panel or screen with animated graphical user interface showing our new design; FIG. 2 is a second front view thereof; FIG. 3 is a third front view thereof; FIG. 4 is fourth front view thereof; FIG. 5 is a fifth front view thereof. FIG. 6 is a sixth front view thereof; FIG. 7 is a seventh front view thereof; FIG. 8 is an eighth front view thereof; and, FIG. 9 is a ninth front view thereof.

The image of FIGS. 1-9 transitions sequentially. The even-dash broken lines of the graphical user interface and the even-dash broken lines representing the display panel or screen and form no part of the claimed design. The appearance of the transitional image sequentially transitions between the images shown in FIGS. 1-9. The process or period in which an image transitions to another forms no part of the claimed design.

1 Claim, 5 Drawing Sheets



(30) Foreign Application Priority Data

Mar. 31, 2015	(JP)	2015-007055
Mar. 31, 2015	(JP)	2015-007056
Mar. 31, 2015	(JP)	2015-007057
Mar. 31, 2015	(JP)	2015-007058
Mar. 31, 2015	(JP)	2015-007059
Mar. 31, 2015	(JP)	2015-007060
Mar. 31, 2015	(JP)	2015-007061
Mar. 31, 2015	(JP)	2015-007062
Mar. 31, 2015	(JP)	2015-007224
Mar. 31, 2015	(JP)	2015-007225
Mar. 31, 2015	(JP)	2015-007226
Mar. 31, 2015	(JP)	2015-007227
Mar. 31, 2015	(JP)	2015-007228
Mar. 31, 2015	(JP)	2015-007229
Mar. 31, 2015	(JP)	2015-007230
Mar. 31, 2015	(JP)	2015-007231
Mar. 31, 2015	(JP)	2015-007232
Mar. 31, 2015	(JP)	2015-007233
Mar. 31, 2015	(JP)	2015-007234
Mar. 31, 2015	(JP)	2015-007235
Mar. 31, 2015	(JP)	2015-007236
Mar. 31, 2015	(JP)	2015-007237
Mar. 31, 2015	(JP)	2015-007238
Mar. 31, 2015	(JP)	2015-007239
Mar. 31, 2015	(JP)	2015-007240
Mar. 31, 2015	(JP)	2015-007241
Mar. 31, 2015	(JP)	2015-007242
Mar. 31, 2015	(JP)	2015-007243
Mar. 31, 2015	(JP)	2015-007244
Mar. 31, 2015	(JP)	2015-007245
Mar. 31, 2015	(JP)	2015-007246
Mar. 31, 2015	(JP)	2015-007247
Mar. 31, 2015	(JP)	2015-007248
Mar. 31, 2015	(JP)	2015-007249
Mar. 31, 2015	(JP)	2015-007250
Mar. 31, 2015	(JP)	2015-007251
Mar. 31, 2015	(JP)	2015-007252
Mar. 31, 2015	(JP)	2015-007253
Mar. 31, 2015	(JP)	2015-007254

(58) Field of Classification Search

CPC G06T 13/00; G06T 13/80; G06F 3/04845
See application file for complete search history.

(56) References Cited

U.S. PATENT DOCUMENTS

D613,301 S *	4/2010	Lee	D14/489
D665,422 S *	8/2012	Morrow	D14/492
D681,051 S	4/2013	Asai et al.	
D696,264 S *	12/2013	d'Amore	D14/485
D699,249 S	2/2014	Fujii et al.	
D701,880 S	4/2014	Asai	
D712,914 S *	9/2014	Lee	D14/486
D763,306 S *	8/2016	Lee	D14/488
D784,363 S *	4/2017	Fleming	D14/485
D788,122 S *	5/2017	Tada	D14/485
2008/0183434 A1 *	7/2008	Putnam	G06T 15/80 703/1
2010/0118037 A1 *	5/2010	Sheikh	G06T 13/80 345/473
2010/0275263 A1 *	10/2010	Bennett	G06F 21/577 726/25

2011/0271186 A1 *	11/2011	Owens	G06F 3/04847 715/716
2014/0358825 A1 *	12/2014	Phillipps	G06Q 30/0241 706/11
2015/0113371 A1 *	4/2015	Flider	G06T 13/80 715/204
2016/0048291 A1 *	2/2016	Boshoff	G06F 3/0482 715/834

FOREIGN PATENT DOCUMENTS

JP	D1402439 S	11/2009
JP	D1419587 S	7/2011
JP	2011-205356 A	10/2011
JP	D1488552 S	1/2014
JP	D1488604 S	1/2014
JP	D1493445 S	3/2014
JP	D1494123 S	4/2014
JP	D1498202 S	5/2014
JP	D1500734 S	6/2014
JP	2014-149834 A	8/2014
JP	2015-060568 A	3/2015
JP	D1435995 S	3/2015
JP	D1518789 S	3/2015
JP	D1535995 S	10/2015
KR	30-0588459 S	2/2011
KR	30-0588461 S	2/2011
KR	30-0692373 S	5/2013
KR	30-0694707 S	5/2013
KR	30-0704583 S	8/2013
KR	30-0721787 S	12/2013
WO	DM-079 967	5/2013

OTHER PUBLICATIONS

Office Action issued in Japanese Design Application No. 2015-007038, dated Mar. 4, 2016.
Office Action issued in Japanese Design Application No. 2015-007039, dated Mar. 4, 2016.
Office Action issued in Japanese Design Application No. 2015-007040, dated Mar. 4, 2016.
Office Action issued in Japanese Design Application No. 2015-007041, dated Mar. 4, 2016.
Office Action issued in Japanese Design Application No. 2015-007042, dated Mar. 4, 2016.
Office Action issued in Japanese Design Application No. 2015-007054, dated Feb. 5, 2016.
Office Action issued in Japanese Design Application No. 2015-007232, dated Feb. 5, 2016.
Office Action issued in Japanese Design Application No. 2015-007233, dated Feb. 5, 2016.
Website, Pioneer, Carrozzeria model No. AVIC-T05II, SV <http://pioneer.jp/carrozzeria/aimavi/avic-t05-2>, originally available May 2011.
Decision on Appeal issued in Japanese Application No. D2015-007234, dated Jun. 23, 2017.
Decision on Appeal issued in Japanese Application No. D2015-007236, dated Jun. 23, 2017.
Decision on Appeal issued in Japanese Application No. D2015-007240, dated Jun. 23, 2017.
Decision on Appeal issued in Japanese Application No. D2015-007245, dated Jun. 23, 2017.
Decision on Appeal issued in Japanese Application No. D2015-007246, dated Jun. 23, 2017.
Decision on Appeal issued in Japanese Application No. D2015-007248, dated Jun. 23, 2017.
Decision on Appeal issued in Japanese Application No. D2015-007229, dated Oct. 6, 2017.

* cited by examiner

FIG.1

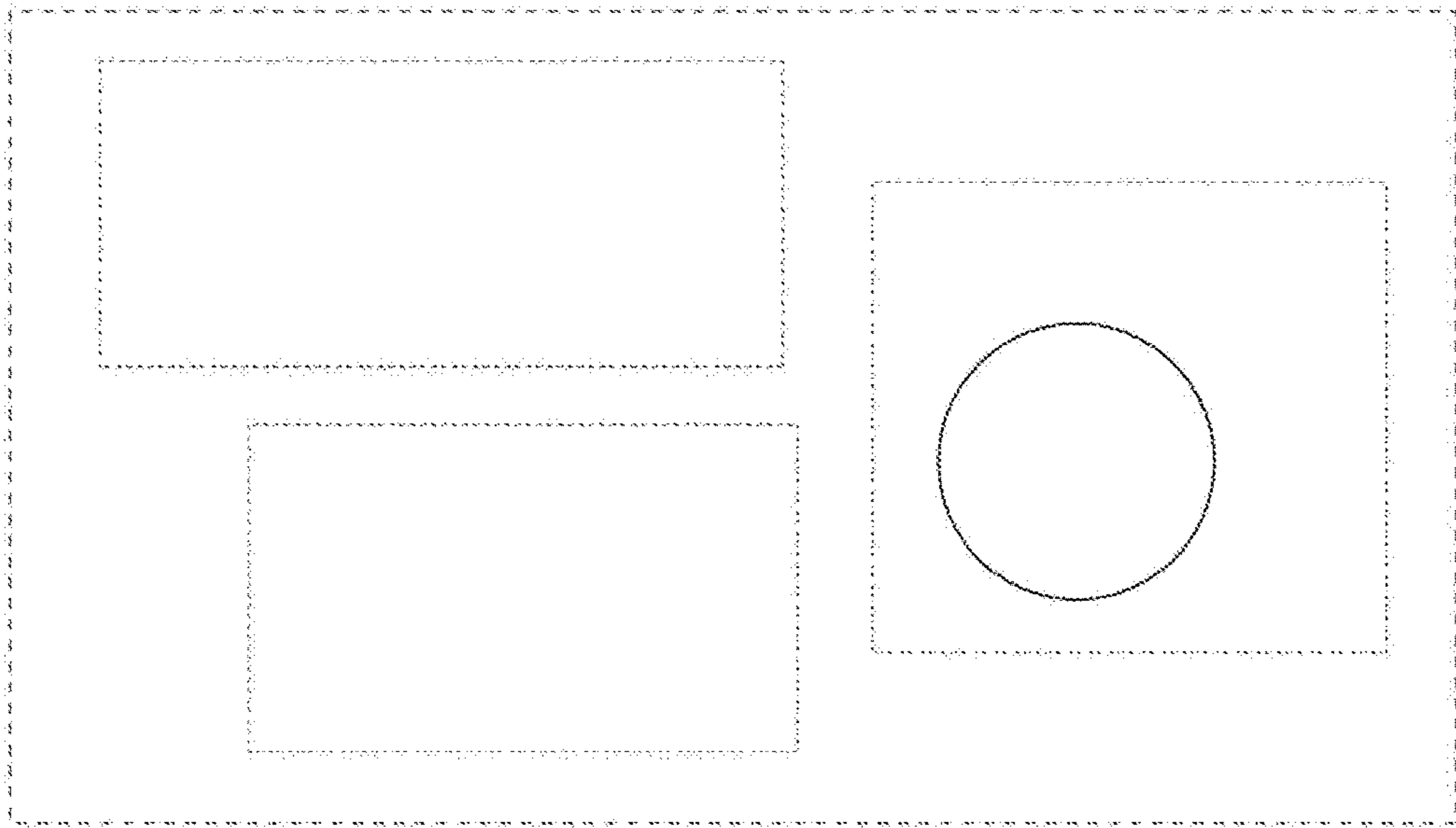


FIG.2

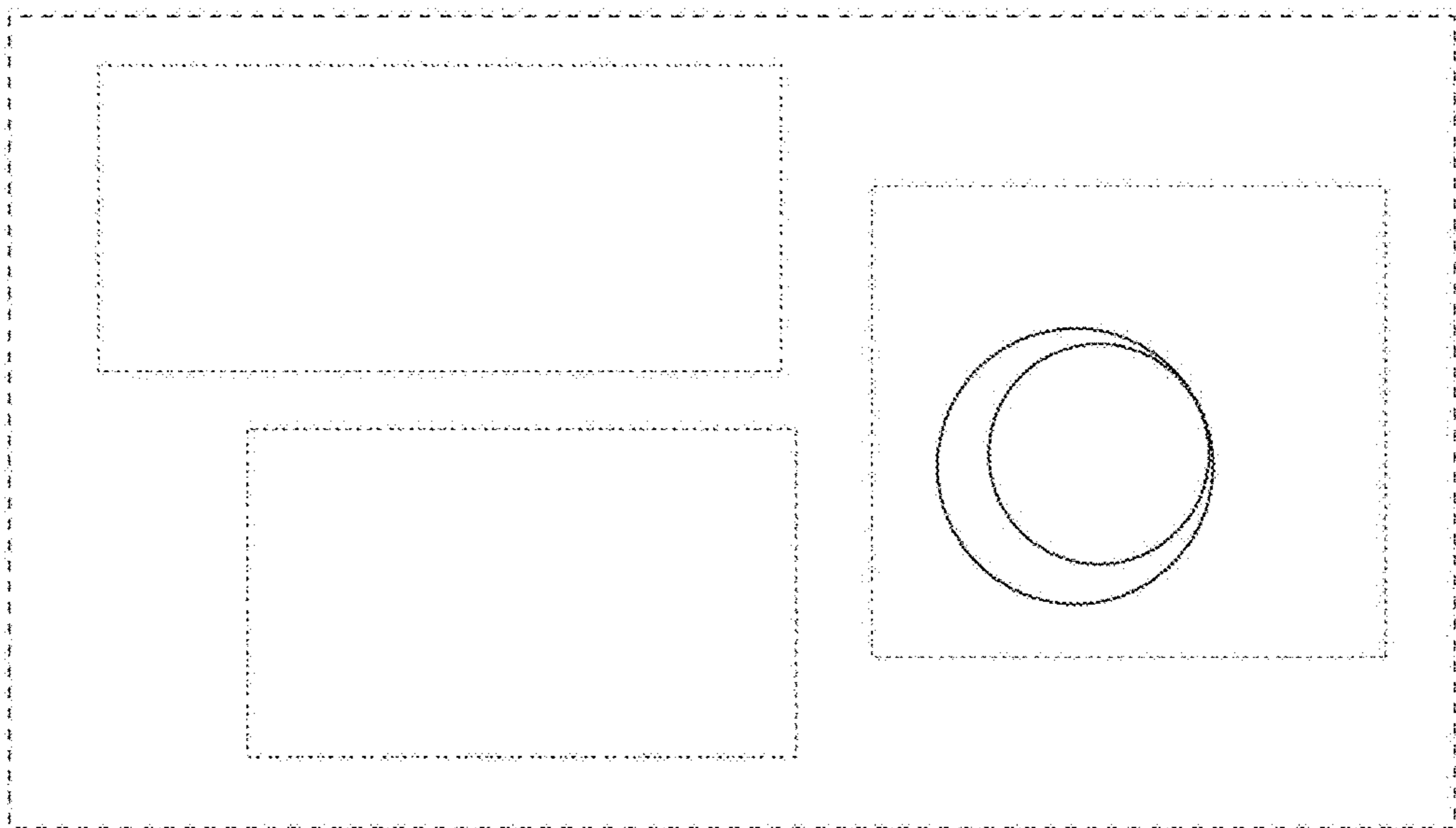


FIG.3

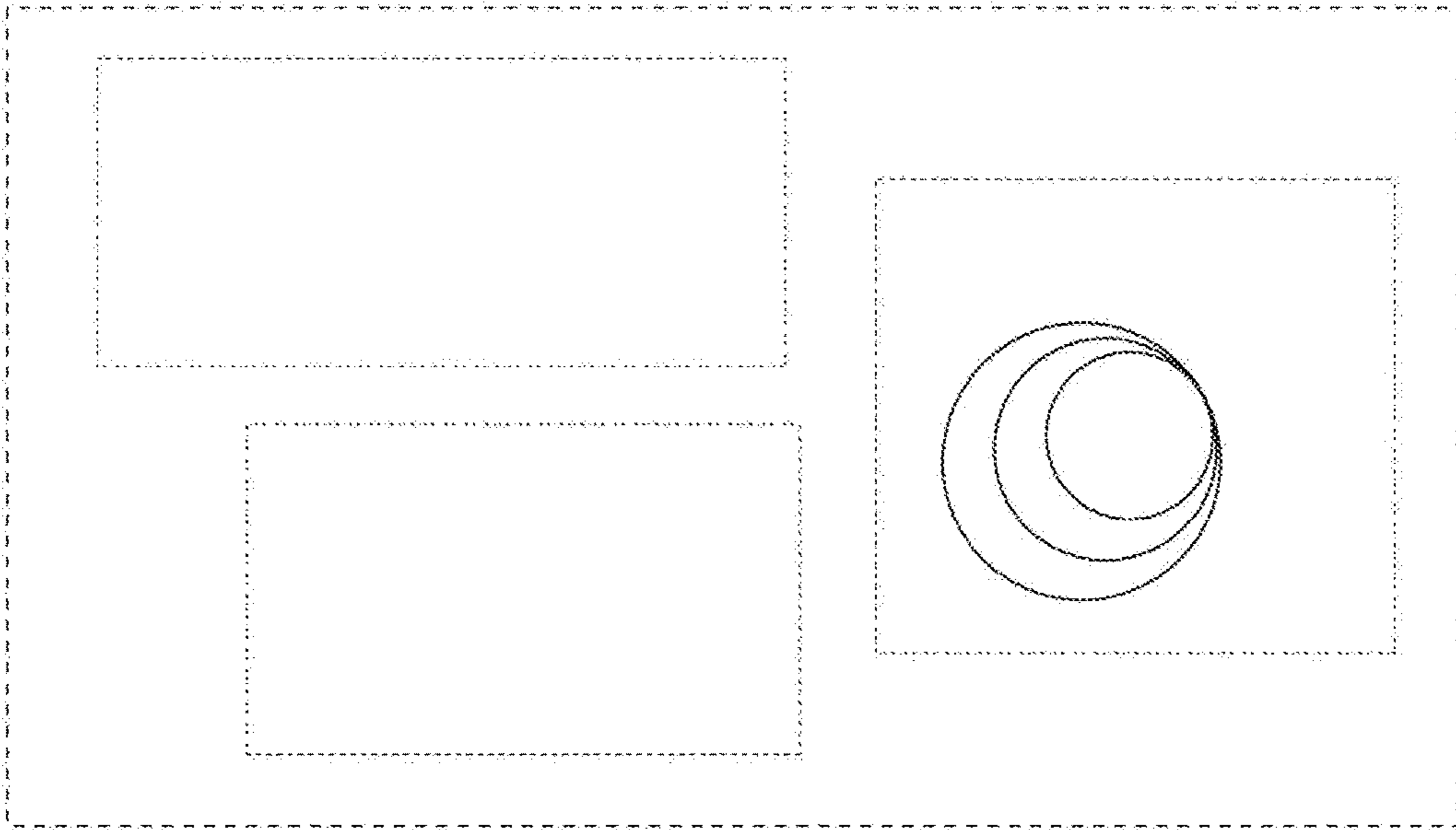


FIG.4

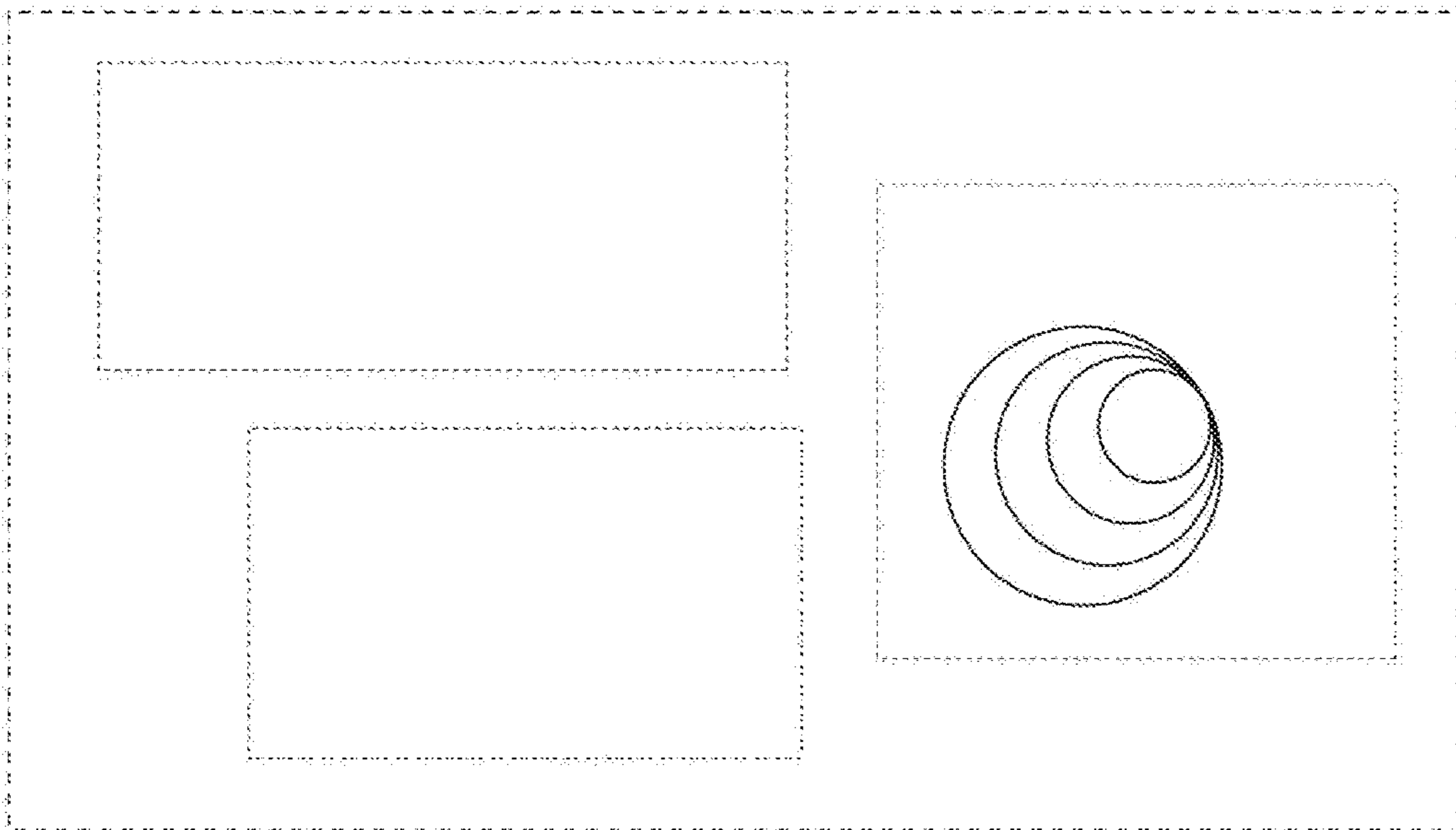


FIG.5

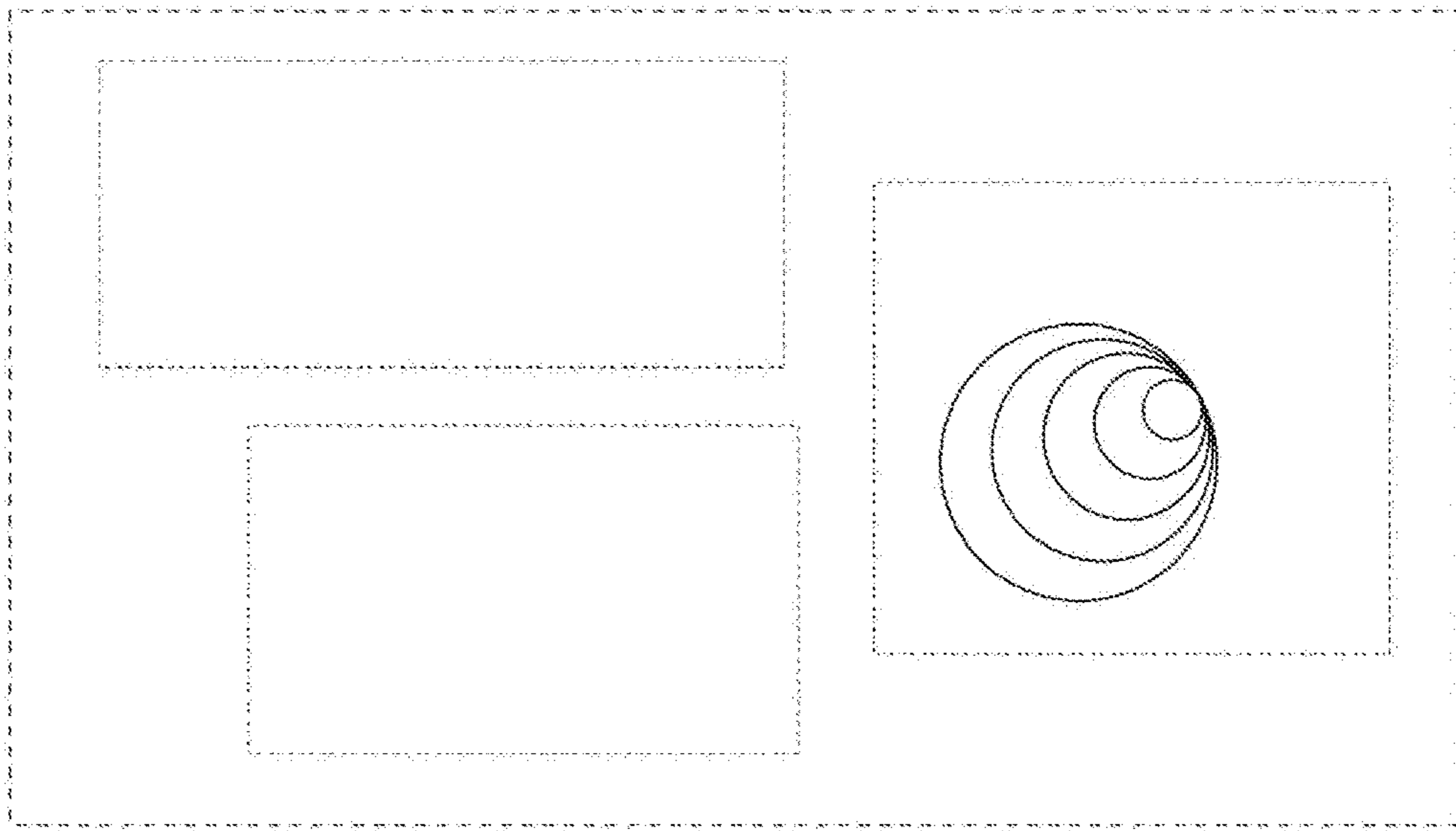


FIG.6

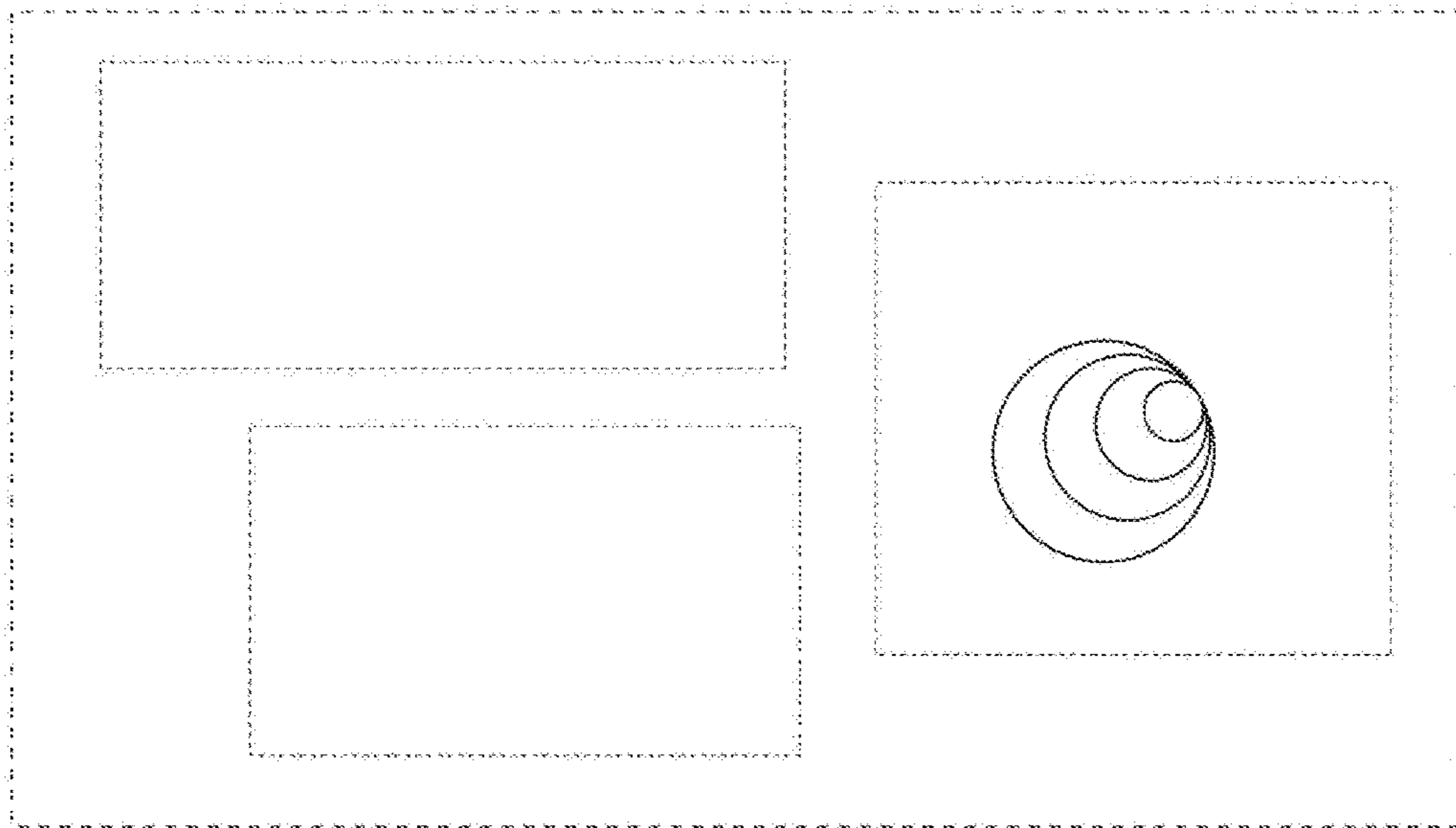


FIG.7

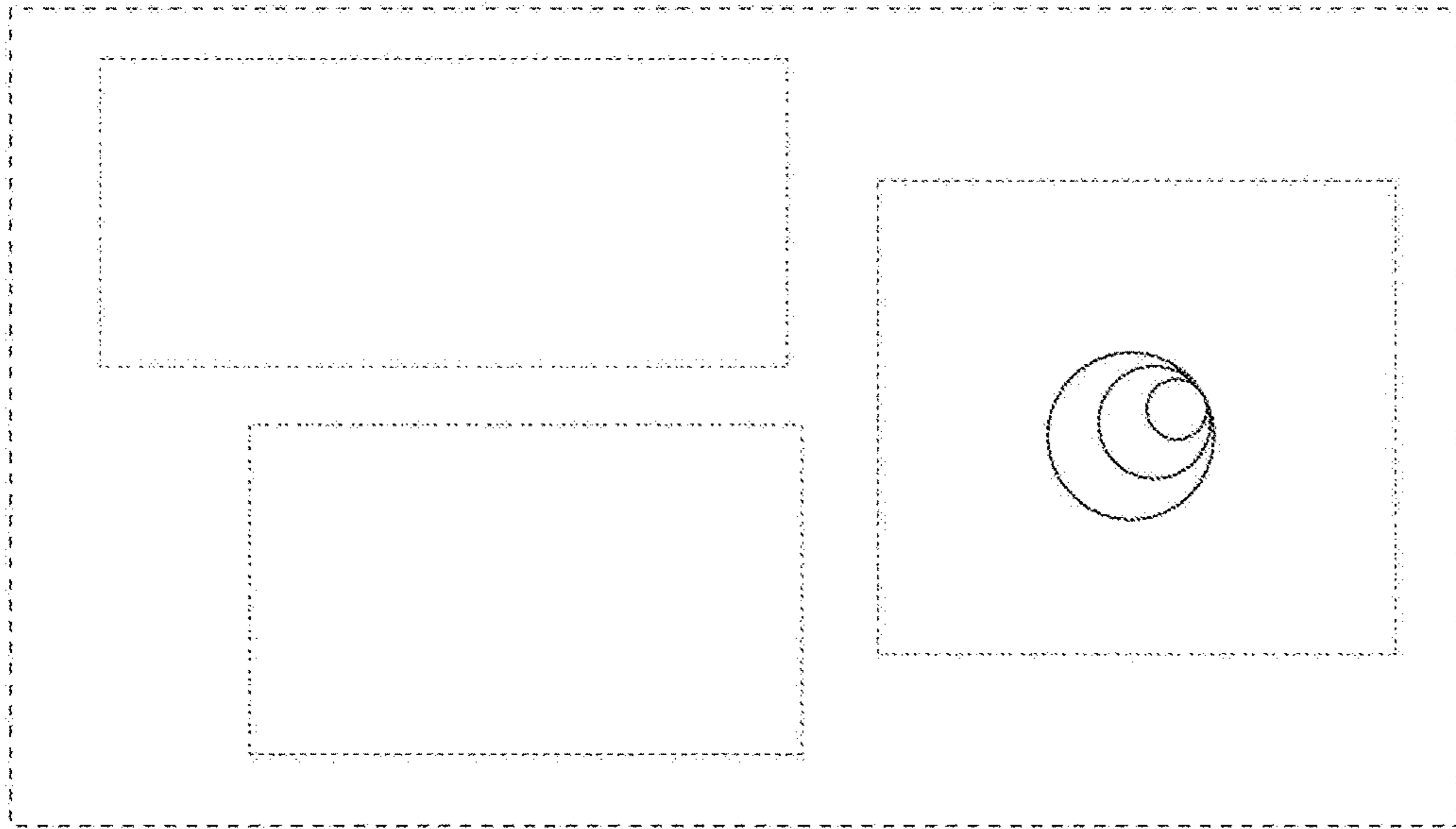


FIG.8

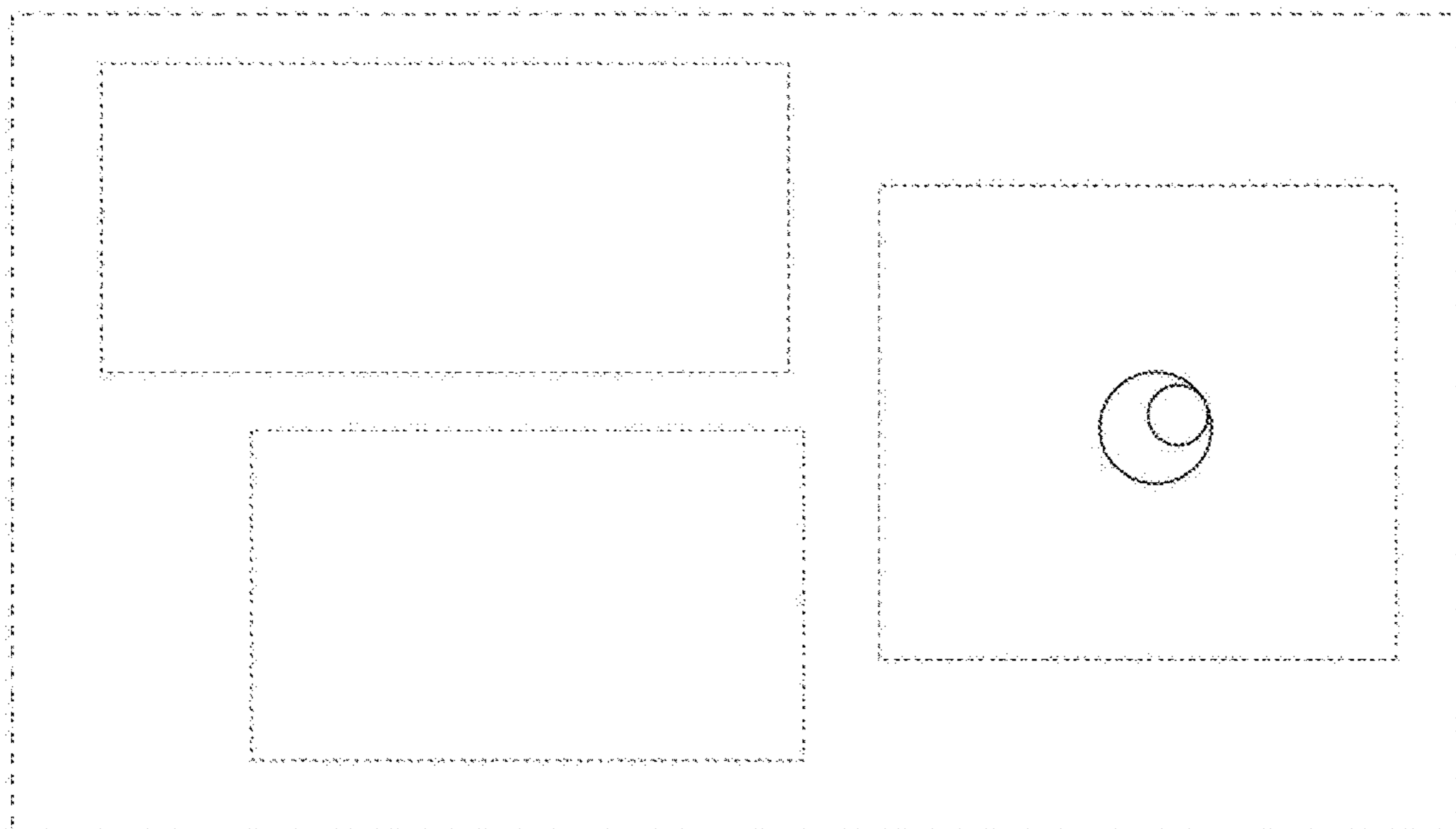


FIG.9

