

US00D839877S

(12) **United States Design Patent** (10) **Patent No.:** **US D839,877 S**
Osuki (45) **Date of Patent:** **** Feb. 5, 2019**

(54) **WIRELESS COMMUNICATION DEVICE**
(71) Applicant: **SONY INTERACTIVE ENTERTAINMENT INC.**, Tokyo (JP)
(72) Inventor: **Hayato Osuki**, Tokyo (JP)
(73) Assignee: **SONY INTERACTIVE ENTERTAINMENT INC.**, Tokyo (JP)

(**) Term: **15 Years**
(21) Appl. No.: **29/589,557**
(22) Filed: **Jan. 3, 2017**

(30) **Foreign Application Priority Data**
Jul. 14, 2016 (JP) 2016-015097
(51) **LOC (11) Cl.** **14-03**
(52) **U.S. Cl.**
USPC **D14/480.1**
(58) **Field of Classification Search**
USPC D14/435.1, 480.1-480.7, 411, 433, 436,
D14/484.1, 137, 155, 203.1-203.8, 240,
D14/242; D13/133, 154
See application file for complete search history.

(56) **References Cited**
U.S. PATENT DOCUMENTS
D489,688 S * 5/2004 Jiang D14/435.1
D558,763 S * 1/2008 Morganstern D14/480.7
D611,944 S * 3/2010 Kujawski D14/435.1
D625,730 S * 10/2010 Cacioppo D14/435.1
D631,884 S * 2/2011 Klein D14/435.1

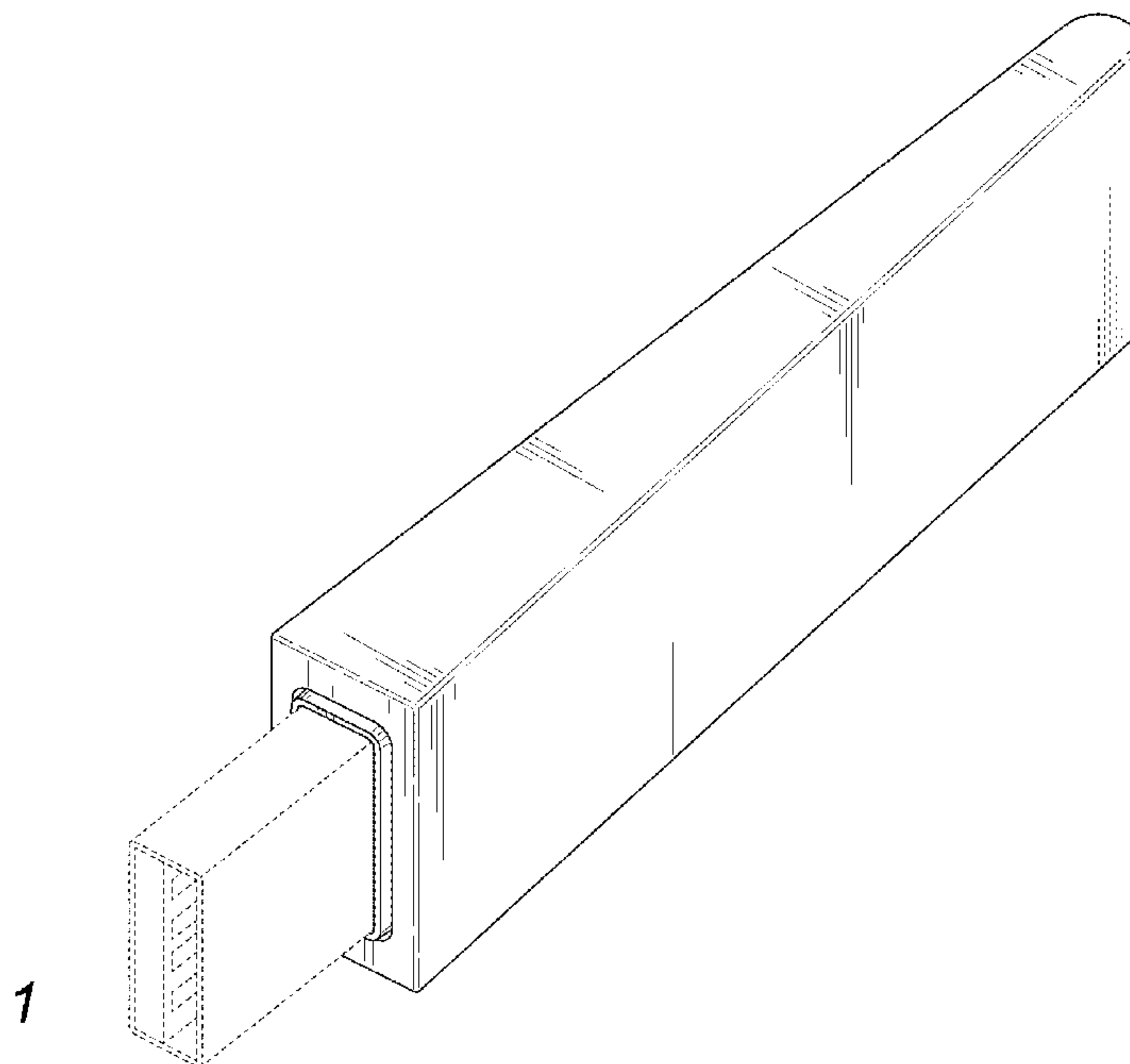
D688,247 S * 8/2013 Girotti D14/240
D753,090 S * 4/2016 Langhammer D14/203.3
D759,027 S * 6/2016 Magi D14/480.1
D759,029 S * 6/2016 Loo D14/480.1
D780,183 S * 2/2017 Ferguson D14/435.1
D799,497 S * 10/2017 Piron D14/480.1
D805,087 S * 12/2017 Sumii D14/480.1
D815,106 S * 4/2018 Ozolins D14/480.4

* cited by examiner
Primary Examiner — Angela J Lee
(74) *Attorney, Agent, or Firm* — Young & Thompson

(57) **CLAIM**
The ornamental design for a wireless communication device, as shown and described.

DESCRIPTION
FIG. 1 is a perspective view of front, top and left side of a wireless communication device showing my new design; FIG. 2 is a perspective view of rear, bottom and right side thereof; FIG. 3 is a front view thereof; FIG. 4 is a rear view thereof; FIG. 5 is a left side view thereof; FIG. 6 is a right side view thereof; FIG. 7 is a top view thereof; FIG. 8 is a bottom view thereof; FIG. 9 is a front view showing an alternate configuration thereof; and, FIG. 10 is an enlarged view of a portion 10 in FIG. 9 thereof. The broken lines form no part of the claimed design.

1 Claim, 7 Drawing Sheets



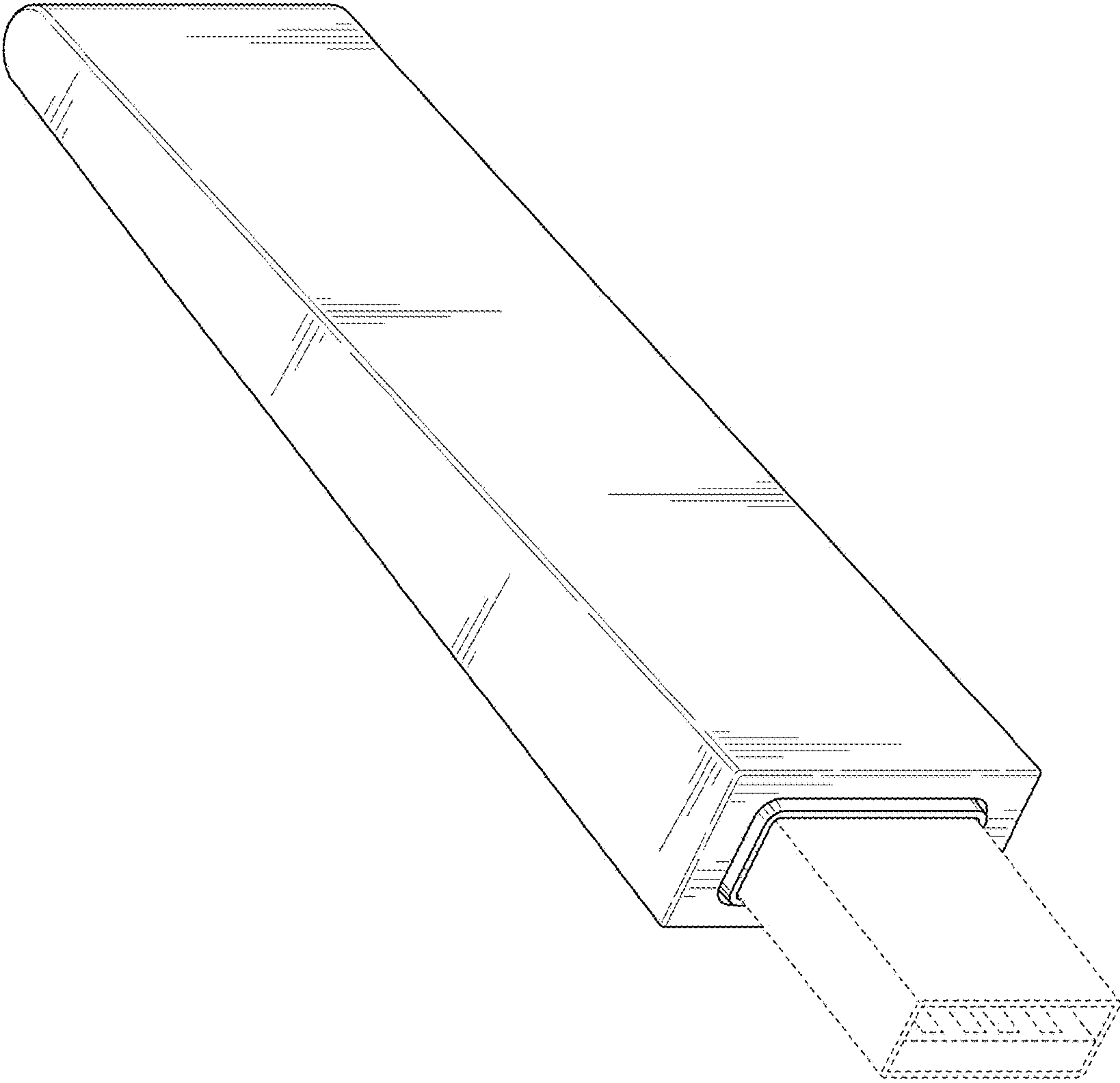


FIG. 1

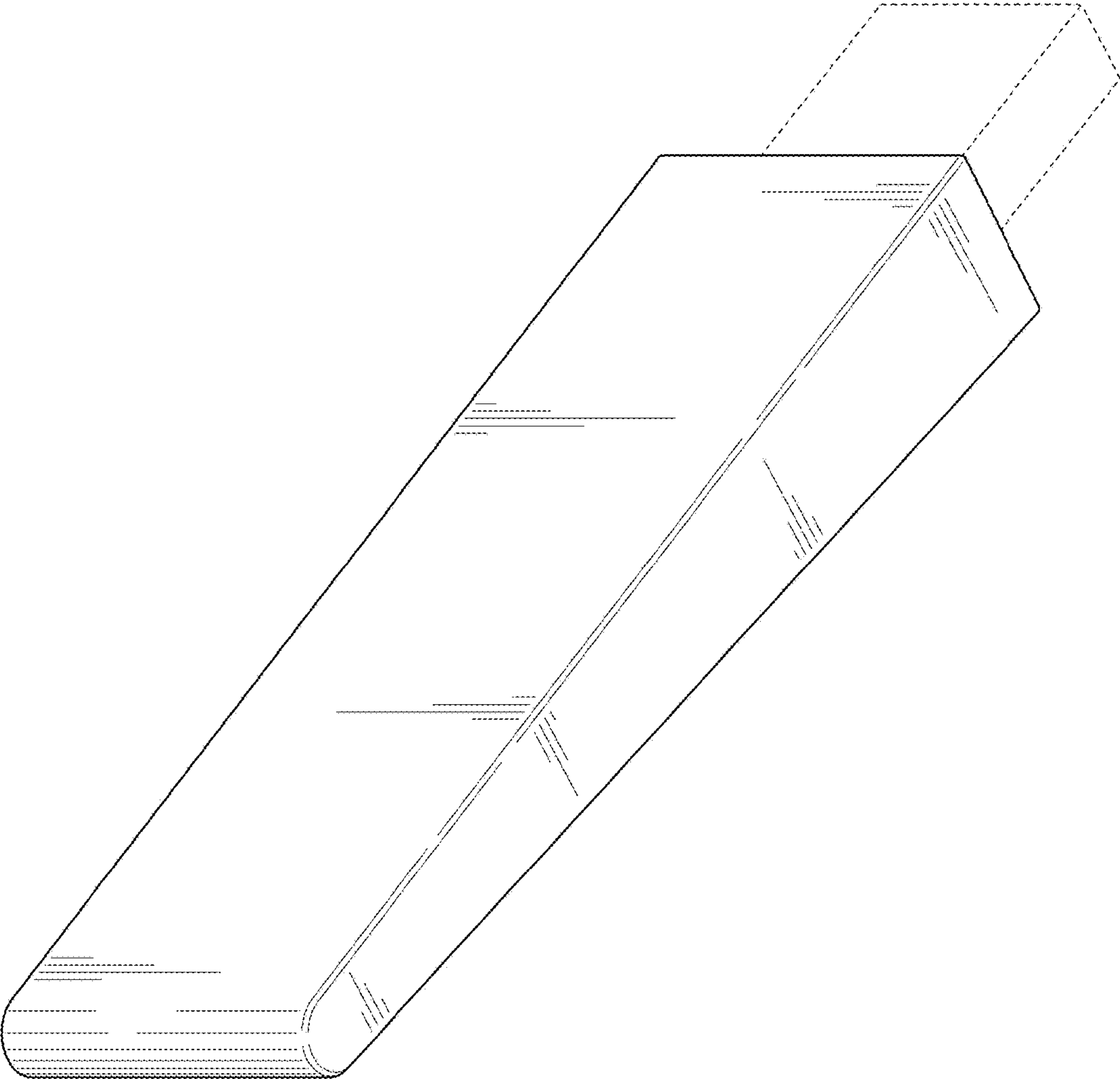


FIG. 2

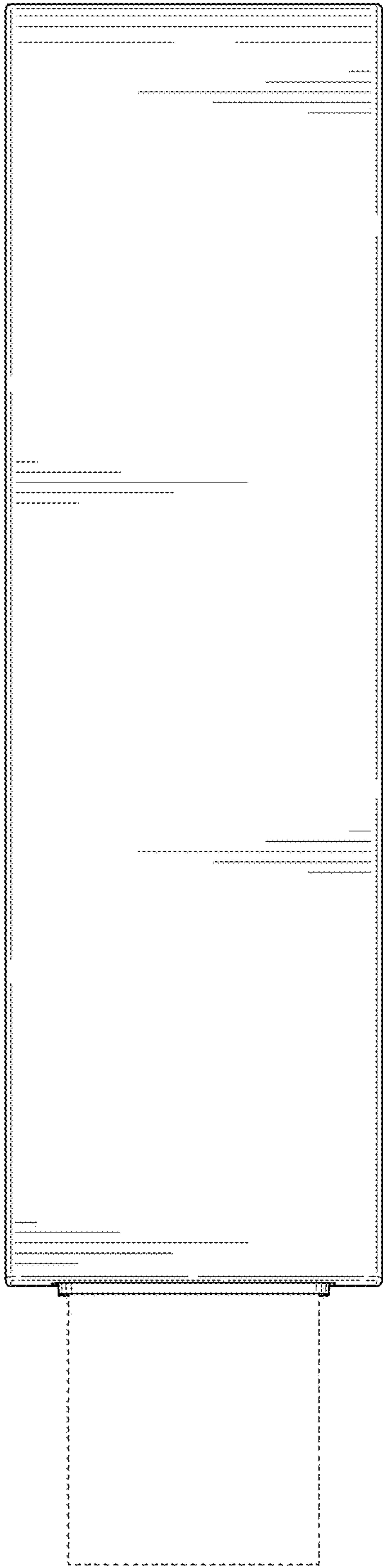


FIG. 3

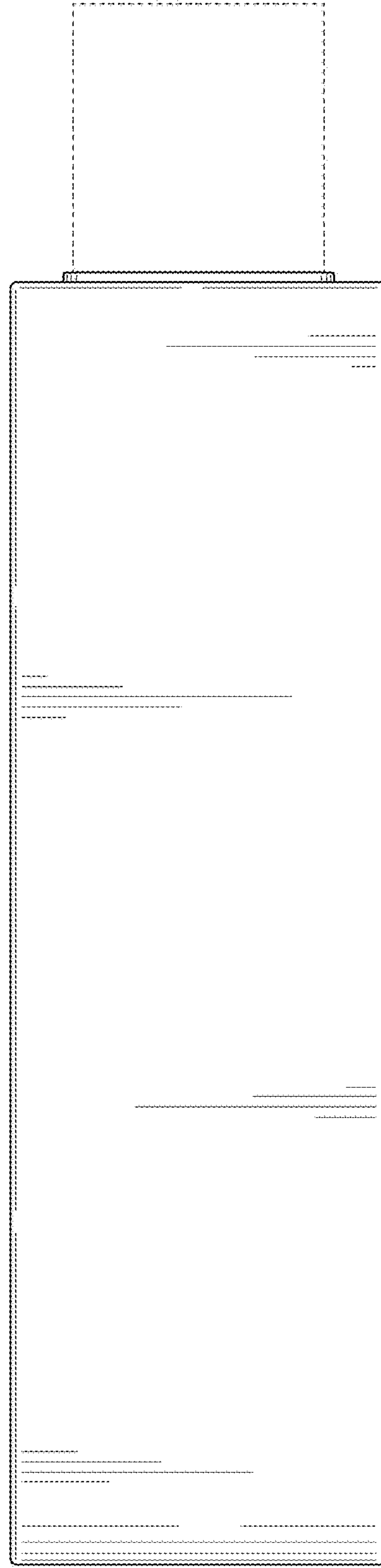


FIG. 4

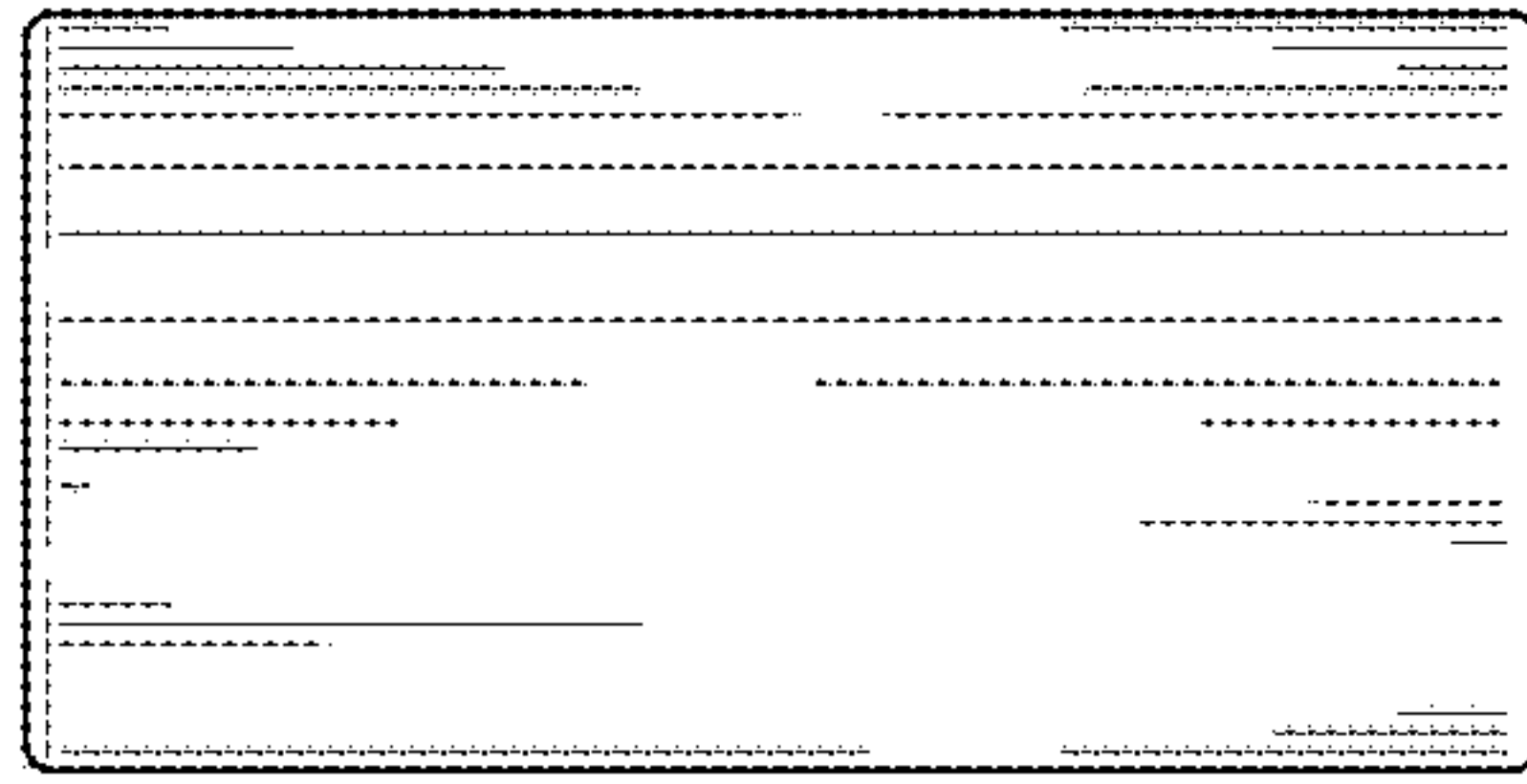


FIG. 6

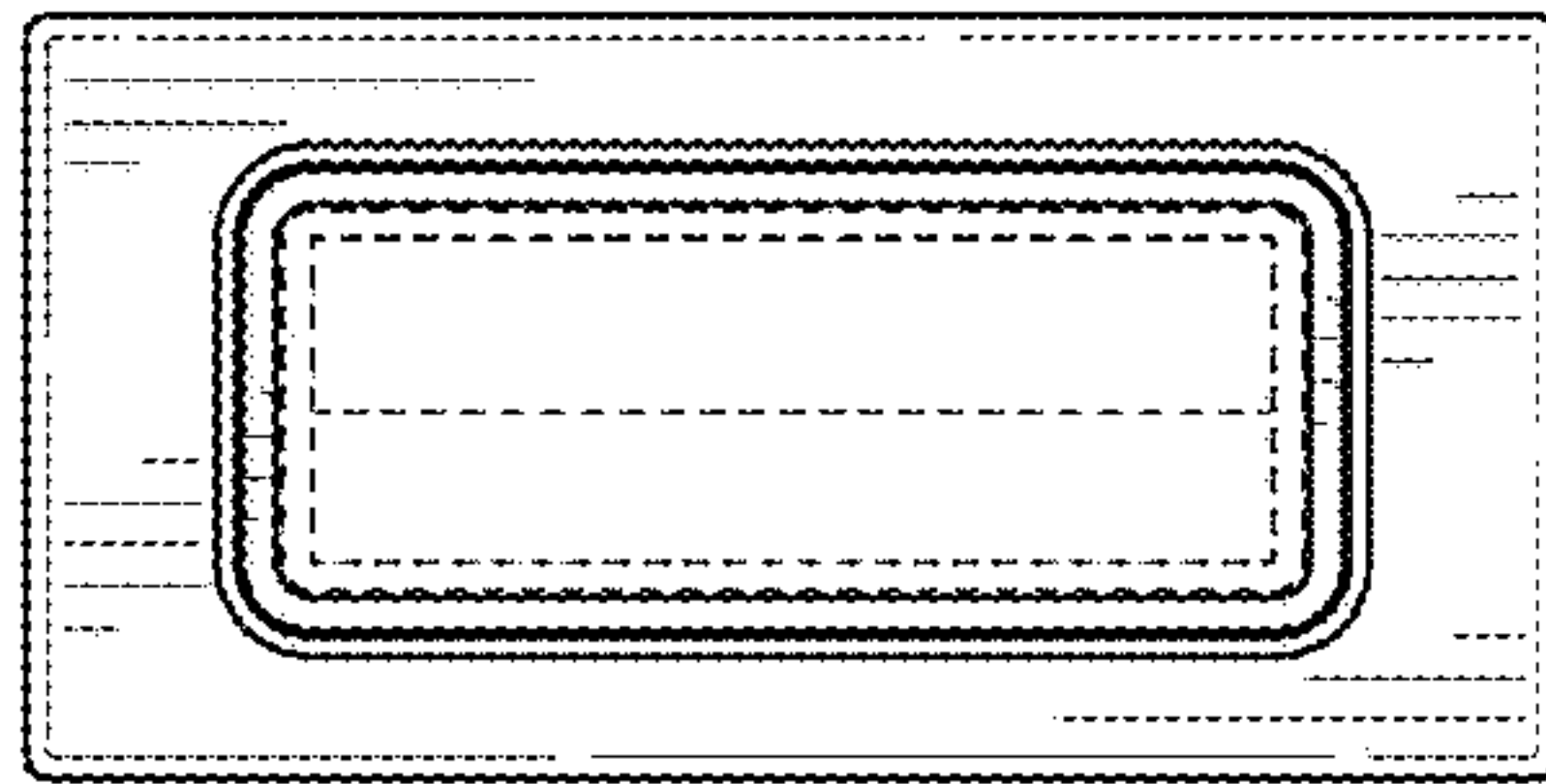


FIG. 5

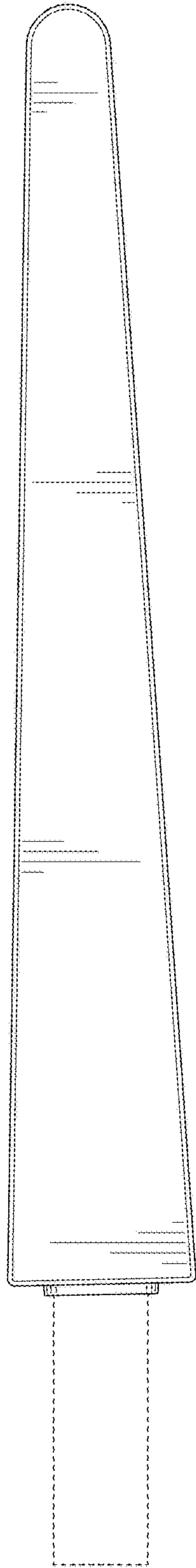


FIG. 7

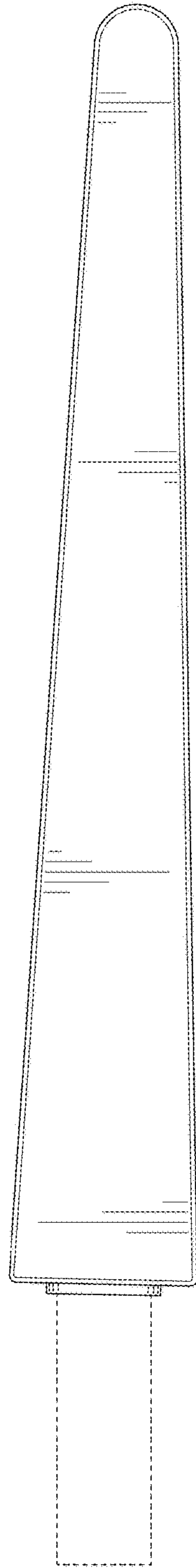


FIG. 8

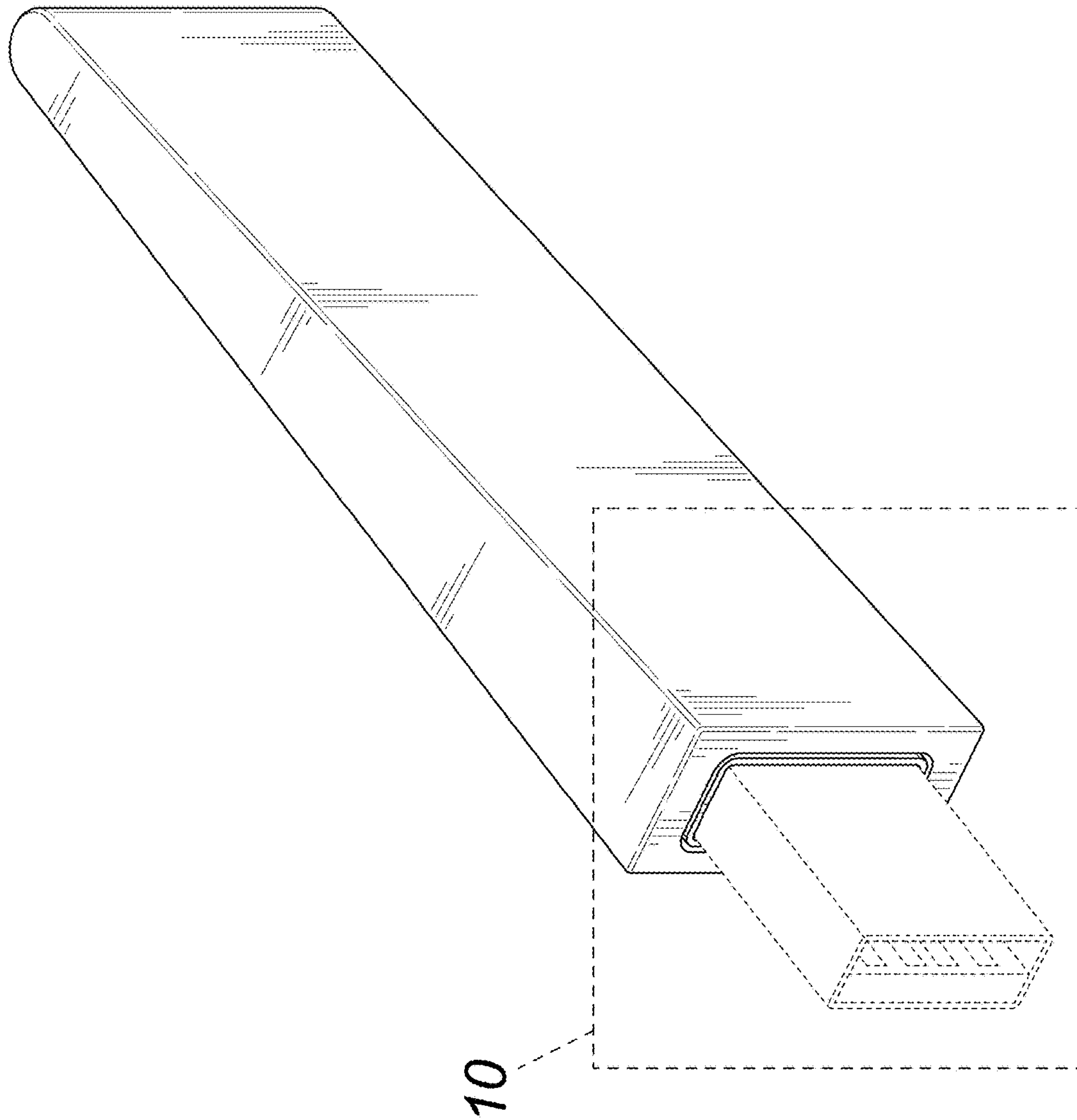


FIG. 9

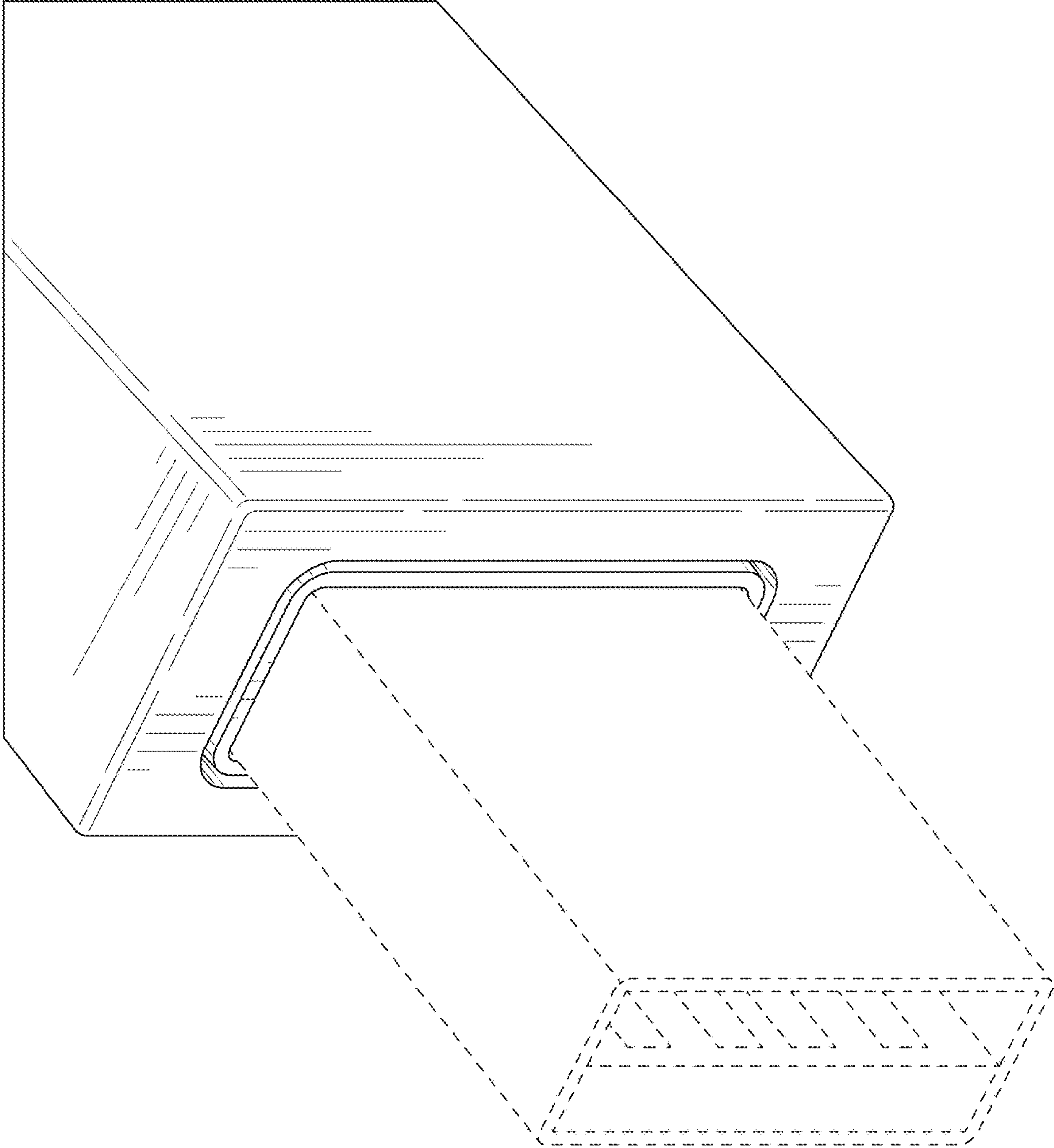


FIG. 10