



US00D839876S

(12) **United States Design Patent** (10) **Patent No.:** **US D839,876 S**  
**Turksu et al.** (45) **Date of Patent:** **\*\* Feb. 5, 2019**

(54) **MULTI-PORT ADAPTER**  
(71) Applicant: **SARIANA, LLC**, San Diego, CA (US)  
(72) Inventors: **Alan Turksu**, San Diego, CA (US);  
**Mustafa Burak Guclu**, San Diego, CA (US)

D230,014 S 1/1974 Edgell, Sr.  
4,060,697 A 11/1977 Neal  
4,527,018 A 7/1985 Offredi  
D286,636 S 11/1986 Cooke et al.  
D308,870 S 6/1990 Rioux  
D320,992 S 10/1991 Jondelius  
5,095,382 A 3/1992 Abe  
D325,578 S 4/1992 Daido et al.  
(Continued)

(73) Assignee: **SARIANA, LLC**, San Diego, CA (US)

(\*\*) Term: **15 Years**

(21) Appl. No.: **29/625,574**

(22) Filed: **Nov. 10, 2017**

(51) **LOC (11) Cl.** ..... **14-03**

(52) **U.S. Cl.**  
USPC ..... **D14/435.1**; D14/433

(58) **Field of Classification Search**  
USPC ..... D14/435.1, 480.1–480.7, 411, 433, 436,  
D14/484.1, 137, 155, 203.1–203.8, 240,  
D14/242, 133, 154  
CPC ..... H05K 5/0278; G06K 19/07732  
See application file for complete search history.

(56) **References Cited**

**U.S. PATENT DOCUMENTS**

1,165,840 A	12/1915	Brutus
1,475,605 A	11/1923	Smith
1,550,588 A	8/1925	Soldani
1,646,562 A	10/1927	Snow
1,671,862 A	5/1928	Heinz et al.
D137,618 S	4/1944	Rolfes
D147,151 S	7/1947	Schinske
2,436,292 A	2/1948	De Mott
2,629,023 A	2/1953	La Fitte
2,878,324 A	3/1959	Guerrero
2,987,585 A	6/1961	Abysalh
3,224,644 A	12/1965	Davis
3,693,923 A	9/1972	Ayoub et al.
3,695,568 A	10/1972	Hogrebe
D227,117 S	6/1973	Breger

**OTHER PUBLICATIONS**

Turksu et al. "Certificate of Registration for European Community Design Registration No. 003618826-0001," Registration Date: Jan. 11, 2017. EUIPO.

(Continued)

*Primary Examiner* — Angela J Lee  
(74) *Attorney, Agent, or Firm* — Wagenknecht IP Law Group PC

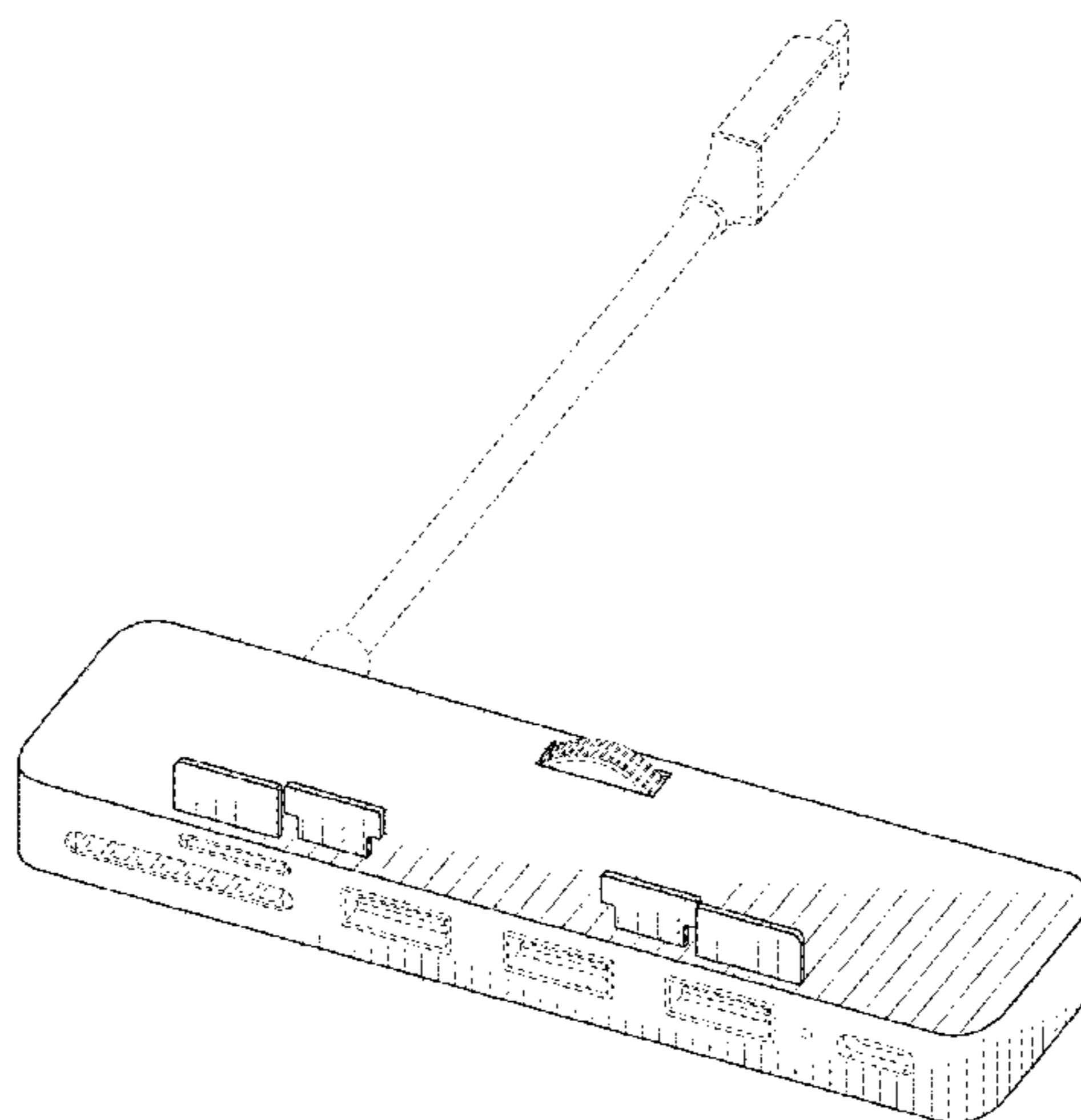
(57) **CLAIM**

The ornamental design for a multi-port adapter, as shown and described.

**DESCRIPTION**

FIG. 1 is a front, top, left perspective view of a multi-port adapter showing our new design;  
FIG. 2 is a front elevational view thereof;  
FIG. 3 is a rear elevational view thereof;  
FIG. 4 is a right side elevational view thereof;  
FIG. 5 is a left side elevational view thereof;  
FIG. 6 is a top plan view thereof;  
FIG. 7 is a bottom plan view thereof; and,  
FIG. 8 is an additional front, top, left perspective view thereof shown mounted to a computer monitor and communicatively attached to a plurality of peripheral devices; wherein the broken lines are for illustrative purposes only and form no part of the claimed design.

**1 Claim, 6 Drawing Sheets**



(56)

References Cited

U.S. PATENT DOCUMENTS

5,367,570 A 11/1994 Figueroa  
 D355,913 S 2/1995 Chong  
 D357,016 S 4/1995 Li et al.  
 D357,248 S 4/1995 Cheng  
 D387,784 S 12/1997 Nakamura  
 D433,005 S 10/2000 McGugan  
 D461,794 S 8/2002 Polito et al.  
 D478,086 S 8/2003 Chuang  
 D478,087 S 8/2003 Aldridge  
 6,612,534 B2 9/2003 Hennessey  
 D482,674 S 11/2003 Rath et al.  
 D484,128 S 12/2003 Chung  
 D492,307 S 6/2004 Aqqad et al.  
 D496,029 S 9/2004 Skulley et al.  
 D553,106 S 10/2007 Griffin  
 D559,848 S 1/2008 Siu  
 D559,849 S 1/2008 Siu  
 D560,165 S 1/2008 Matityahu et al.  
 D564,501 S 3/2008 Rath  
 D580,436 S \* 11/2008 Kiyomiya ..... D14/435.1  
 7,499,271 B2 3/2009 Wagatsuma et al.  
 D593,103 S 5/2009 Richter  
 D593,998 S 6/2009 Bentley et al.  
 D595,697 S 7/2009 Mao et al.  
 D599,331 S 9/2009 Bentley et al.  
 D600,925 S 9/2009 Guffey et al.  
 D602,008 S 10/2009 Bentley et al.  
 D602,917 S 10/2009 Bentley  
 D602,940 S \* 10/2009 McLean ..... D14/480.3  
 D604,725 S 11/2009 Chen  
 D606,549 S 12/2009 He  
 D610,156 S 2/2010 Mudrick  
 D641,753 S 7/2011 Obata  
 D642,585 S 8/2011 Lan et al.  
 D645,027 S 9/2011 Mistry et al.  
 D646,683 S 10/2011 Tao et al.  
 D662,089 S 6/2012 Mistry et al.  
 D665,734 S 8/2012 Fitch  
 D669,473 S 10/2012 Gronau et al.  
 D669,888 S 10/2012 Mistry et al.  
 D670,291 S 11/2012 Dalton  
 D670,297 S 11/2012 Huang

D677,259 S \* 3/2013 van der Lande ..... D14/433  
 D678,286 S 3/2013 Cheng  
 D684,145 S 6/2013 Rath  
 D685,806 S 7/2013 Kim et al.  
 D688,198 S 8/2013 Takeshita et al.  
 D688,248 S 8/2013 Tsuda et al.  
 D688,255 S 8/2013 Daniel  
 D693,768 S 11/2013 Alesi et al.  
 D701,838 S 4/2014 Esses  
 D702,242 S 4/2014 Tsuda et al.  
 D706,248 S \* 6/2014 Myung ..... D14/240  
 D709,892 S 7/2014 Lui  
 D711,884 S 8/2014 Turksu et al.  
 8,838,029 B2 9/2014 Goldman et al.  
 D717,803 S 11/2014 Takano et al.  
 D720,755 S 1/2015 Nokuo  
 D724,080 S 3/2015 Lin et al.  
 D727,906 S 4/2015 Neumann  
 D729,277 S 5/2015 Uchida  
 D733,144 S 6/2015 Kostrzewski et al.  
 D736,150 S 8/2015 Liu  
 D737,201 S 8/2015 Liu  
 D740,291 S 10/2015 Turksu et al.  
 D753,090 S 4/2016 Langhammer et al.  
 D754,131 S 4/2016 Shim  
 D765,623 S 9/2016 Yang et al.  
 D774,514 S 12/2016 Turksu et al.  
 D788,080 S 5/2017 Turksu et al.  
 D793,397 S \* 8/2017 Eliyahu ..... D14/433  
 D794,028 S \* 8/2017 Lin ..... D14/433  
 D797,747 S \* 9/2017 Xu ..... D14/433  
 D826,942 S \* 8/2018 Lu ..... D14/433  
 D828,839 S \* 9/2018 Zhang ..... D14/433  
 D828,840 S \* 9/2018 Zhang ..... D14/433  
 D828,841 S \* 9/2018 Zhang ..... D14/433  
 2002/0003875 A1 1/2002 Stewart et al.  
 2013/0224976 A1 8/2013 Yu et al.

OTHER PUBLICATIONS

Turksu et al. "Certificate of Registration for European Community Design Registration No. 003618834-0001," Registration Date: Jan. 11, 2017. EUIPO.

\* cited by examiner

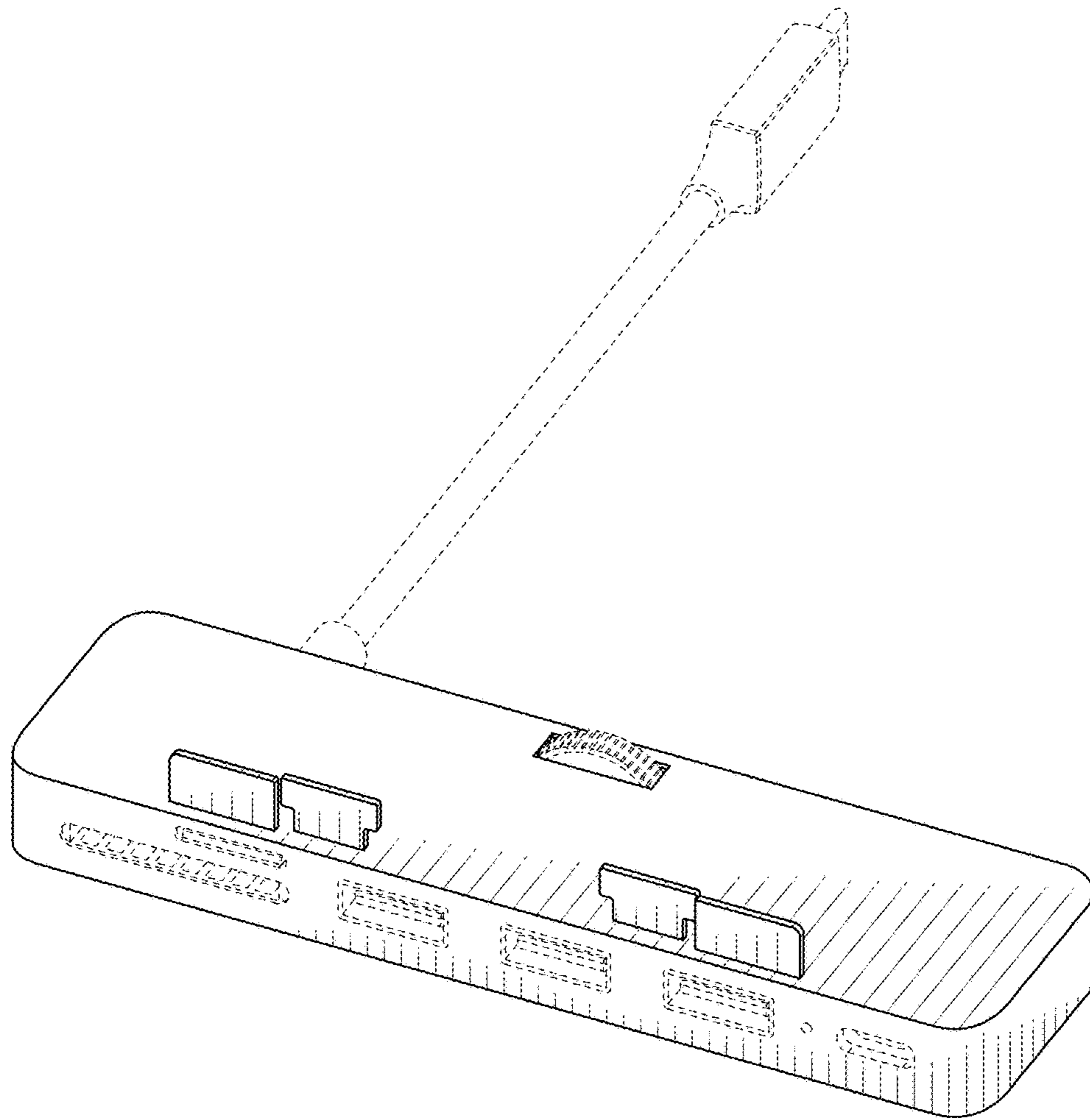


FIG. 1

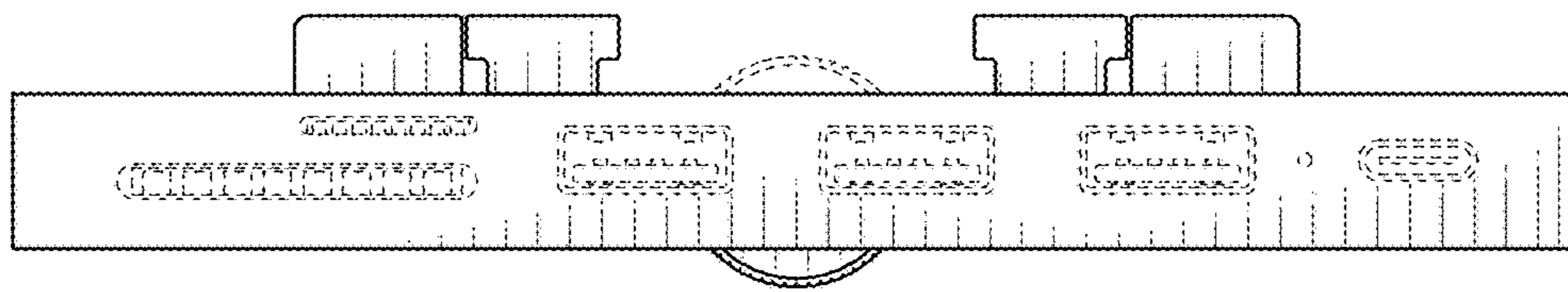


FIG. 2

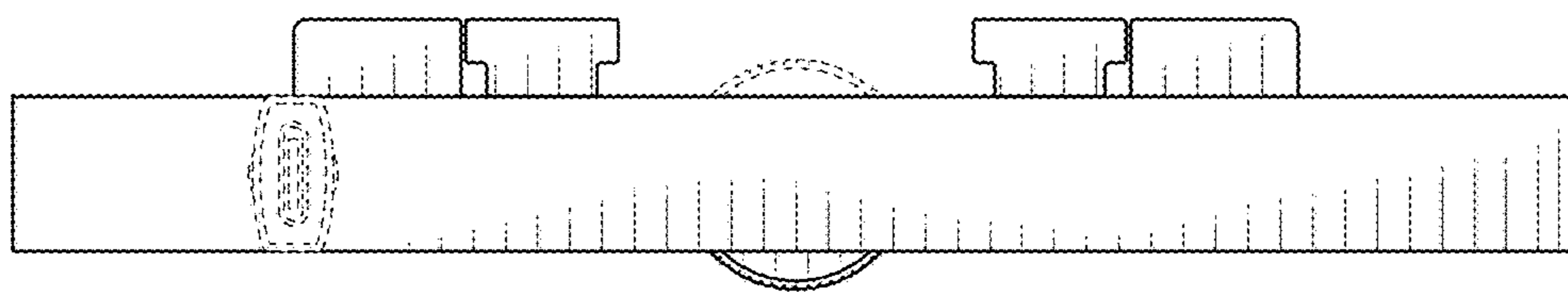


FIG. 3

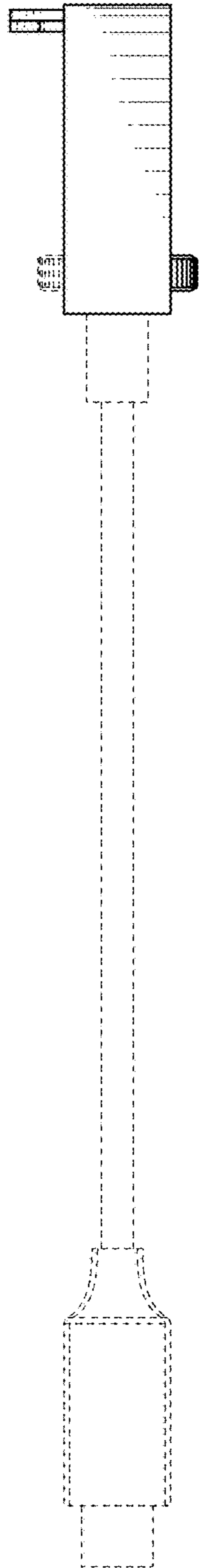


FIG. 4

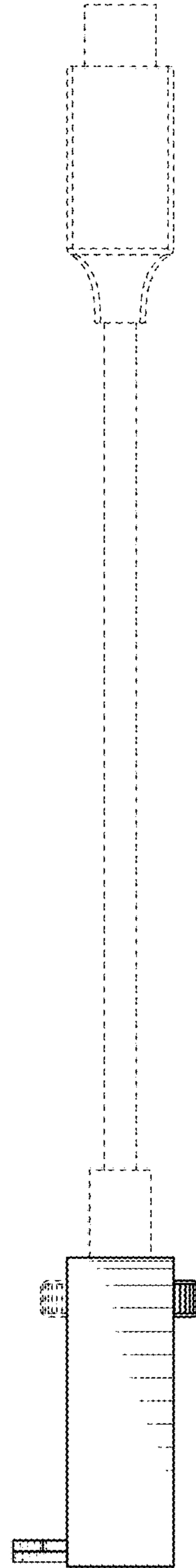


FIG. 5

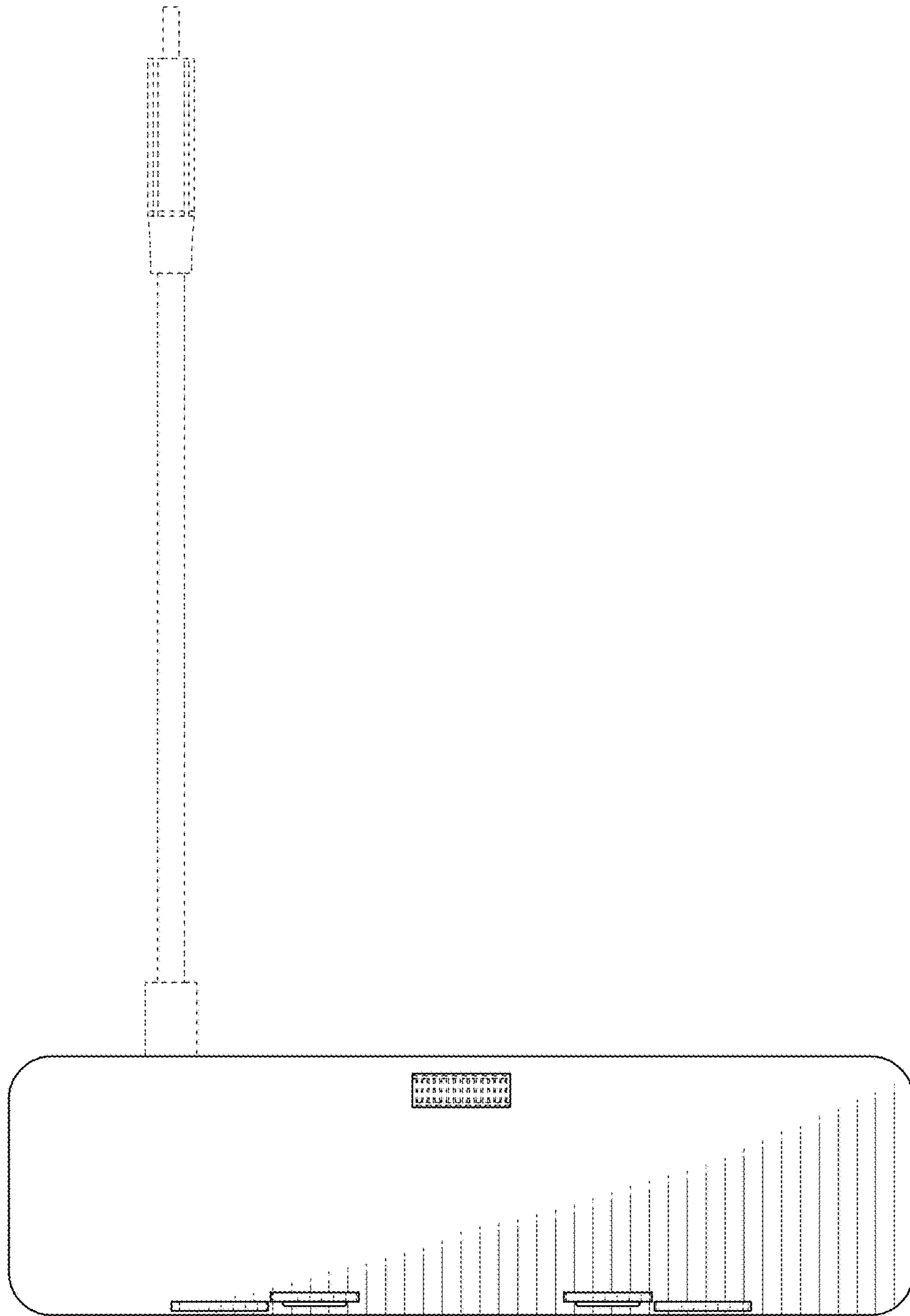


FIG. 6

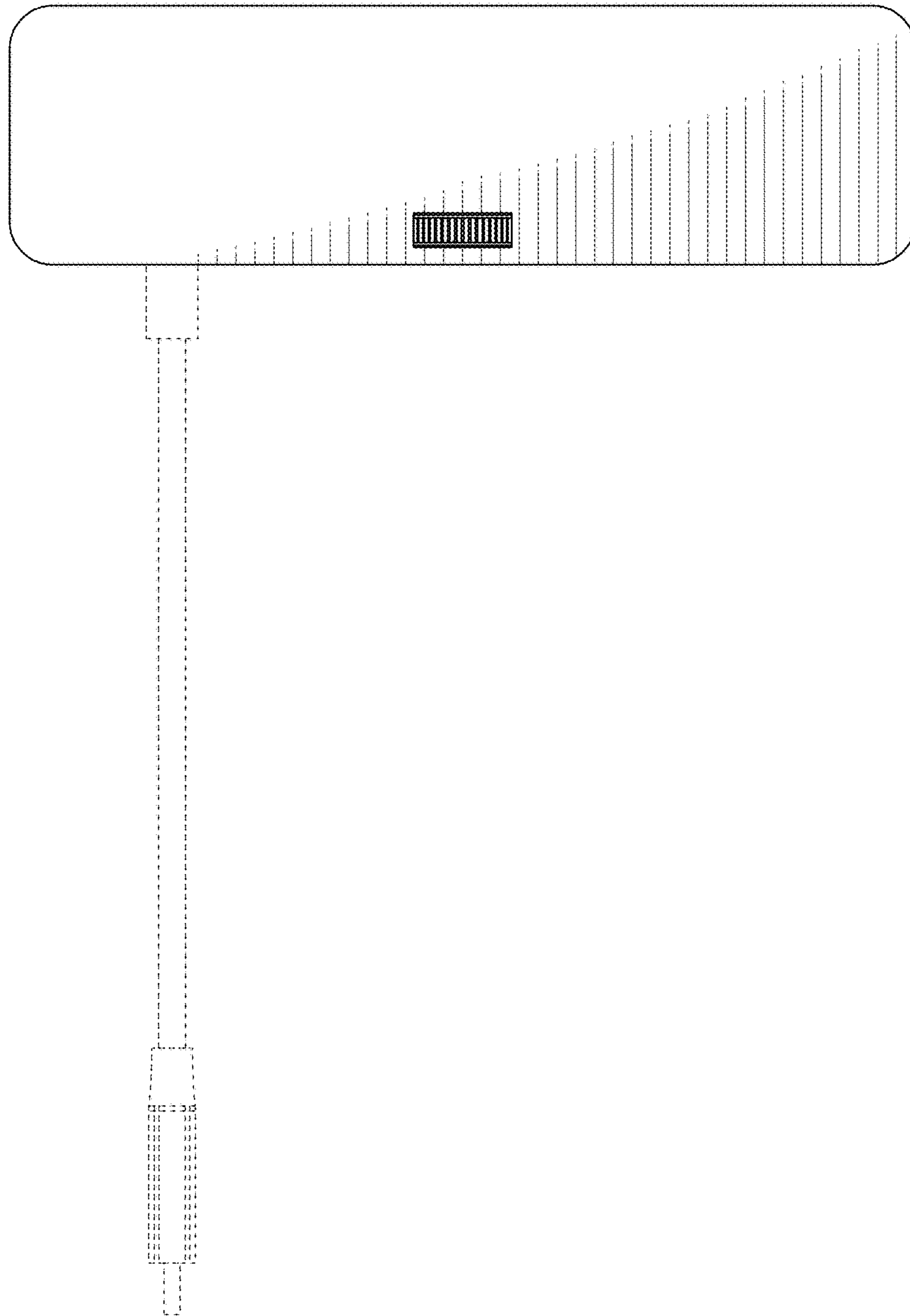


FIG. 7

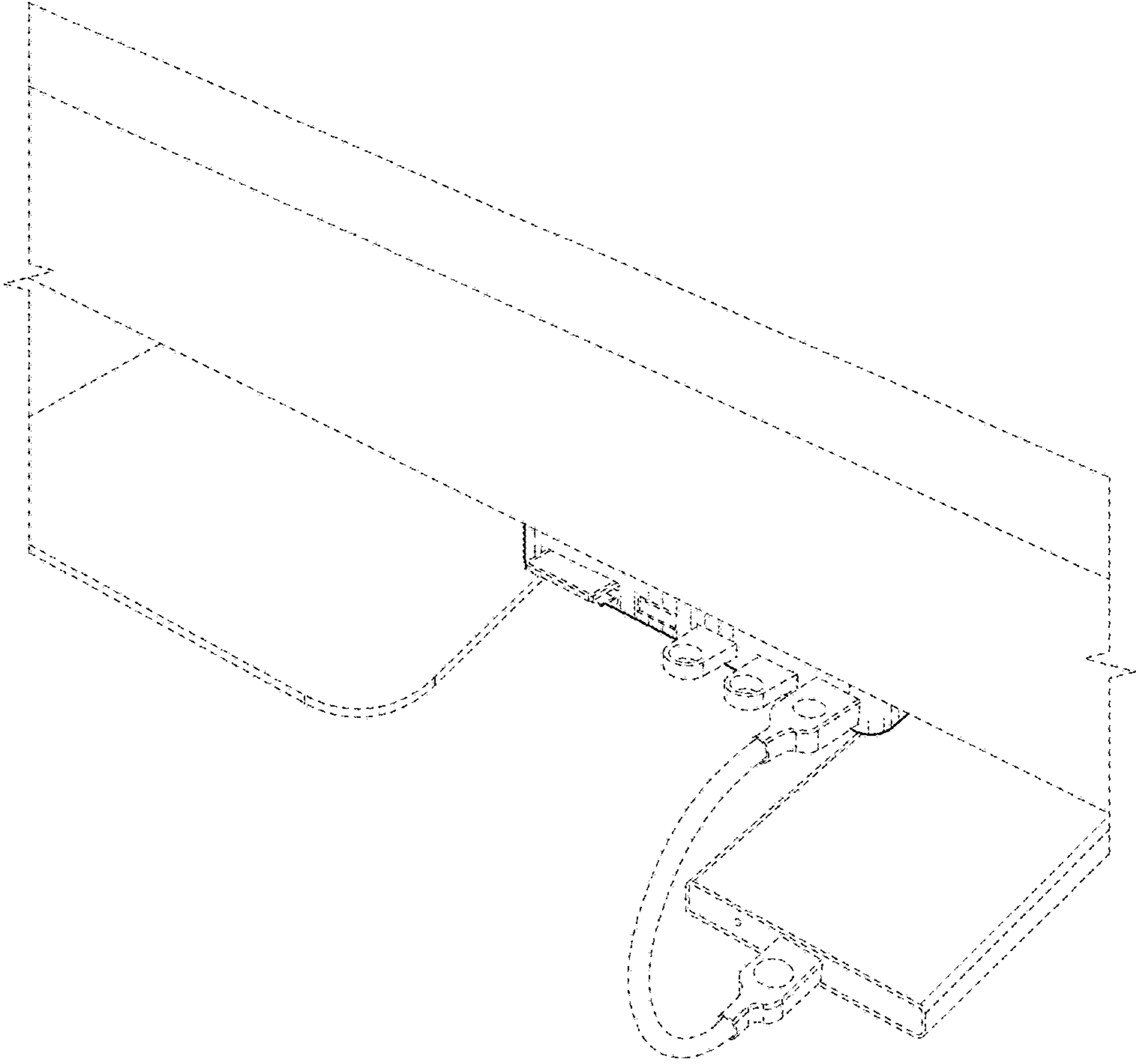


FIG. 8