

US00D839869S

(12) **United States Design Patent** (10) **Patent No.:** **US D839,869 S**
Wang (45) **Date of Patent:** **** Feb. 5, 2019**

(54) **MOBILE PHONE HOLDER**

(71) Applicant: **Aili Wang**, Hunan (CN)

(72) Inventor: **Aili Wang**, Hunan (CN)

(**) Term: **15 Years**

(21) Appl. No.: **29/604,665**

(22) Filed: **May 19, 2017**

(30) **Foreign Application Priority Data**

Nov. 23, 2016 (CN) 2016 3 0569695

(51) **LOC (11) Cl.** **14-03**

(52) **U.S. Cl.**
USPC **D14/253**; D14/447

(58) **Field of Classification Search**
USPC D14/144, 217, 224, 251-253, 434, 447,
D14/451-452; D3/218; D12/114, 177,
D12/223, 400, 415, 417; D16/242-243
CPC F16M 13/022; F16M 11/041; F16M 13/00;
F16M 13/02; F16M 11/10
See application file for complete search history.

(56) **References Cited**

U.S. PATENT DOCUMENTS

- D638,638 S * 5/2011 Fitzpatrick D6/656.11
- D639,815 S * 6/2011 Lye D14/447
- D639,816 S * 6/2011 Bau D14/447
- D658,168 S * 4/2012 Werth D14/253
- D666,614 S * 9/2012 Ding D14/253
- D670,703 S * 11/2012 Hasbrook D14/447
- D679,700 S * 4/2013 Werth D14/253
- D686,609 S * 7/2013 Kadivar D14/253
- D689,478 S * 9/2013 Wikel D14/253
- D690,306 S * 9/2013 Malisse D14/447
- D693,824 S * 11/2013 Erdfarb D14/447
- D703,659 S * 4/2014 Werth D14/253
- D703,676 S * 4/2014 Smith D14/447

- D722,317 S * 2/2015 Parameshwara D14/447
- D723,536 S * 3/2015 Werth D14/253
- 9,274,556 B2 * 3/2016 Gallouzi F16M 11/041
- 9,364,081 B1 * 6/2016 Haymond A47B 23/044
- D776,667 S * 1/2017 Fujioka D14/447
- D779,478 S * 2/2017 Justiss D14/253
- D789,348 S * 6/2017 Kim D14/250
- D798,871 S * 10/2017 Avganim D14/447
- D799,463 S * 10/2017 Deng D14/252
- D811,414 S * 2/2018 Lee D14/447
- D816,027 S * 4/2018 Chen D13/108
- D825,573 S * 8/2018 Belitz D14/447
- D826,917 S * 8/2018 Zhong D14/253

(Continued)

OTHER PUBLICATIONS

Nulaxy Foldable Tablet Phone Stand, date first reviewed Nov. 3, 2016, site visited Sep. 22, 2018, <https://www.amazon.com/dp/B07F8S18D5/ref=sspa_dk_detail_2?psc=1>.*

(Continued)

Primary Examiner — Cathron C Brooks

Assistant Examiner — Sharon S Oum

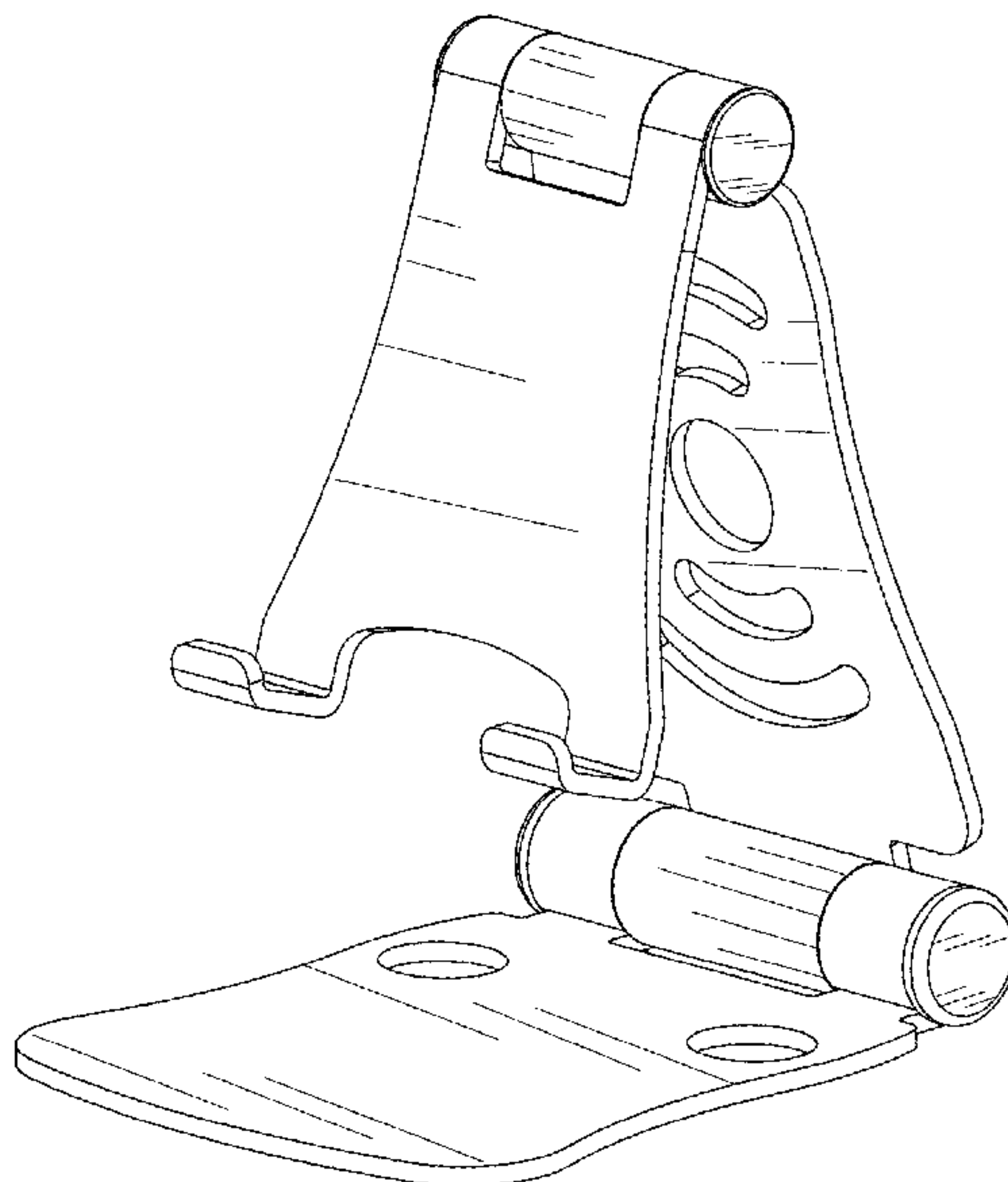
(57) **CLAIM**

The ornamental design for a mobile phone holder, as shown.

DESCRIPTION

FIG. 1 is a front elevational view of a mobile phone holder showing my new design;
FIG. 2 is a rear elevational view thereof;
FIG. 3 is a left side view thereof;
FIG. 4 is a right side view thereof;
FIG. 5 is a top plan view thereof;
FIG. 6 is a bottom plan view thereof;
FIG. 7 is a perspective view thereof;
FIG. 8 is a perspective view in folded state; and,
FIG. 9 is a perspective view in opened state.

1 Claim, 8 Drawing Sheets



(56)

References Cited

U.S. PATENT DOCUMENTS

D829,216 S * 9/2018 Belitz D14/447
2017/0223862 A1* 8/2017 Justiss F16M 11/10

OTHER PUBLICATIONS

Tronsmart R1 Mobile Phone Holder Metal Stand, date first available
Aug. 22, 2018, site visited Sep. 22, 2018, <<https://www.amazon.com/Tronsmart-Adjustable-Foldable-Notebook-Muti-Angle/dp/B07GR2MBFM>>.*

* cited by examiner

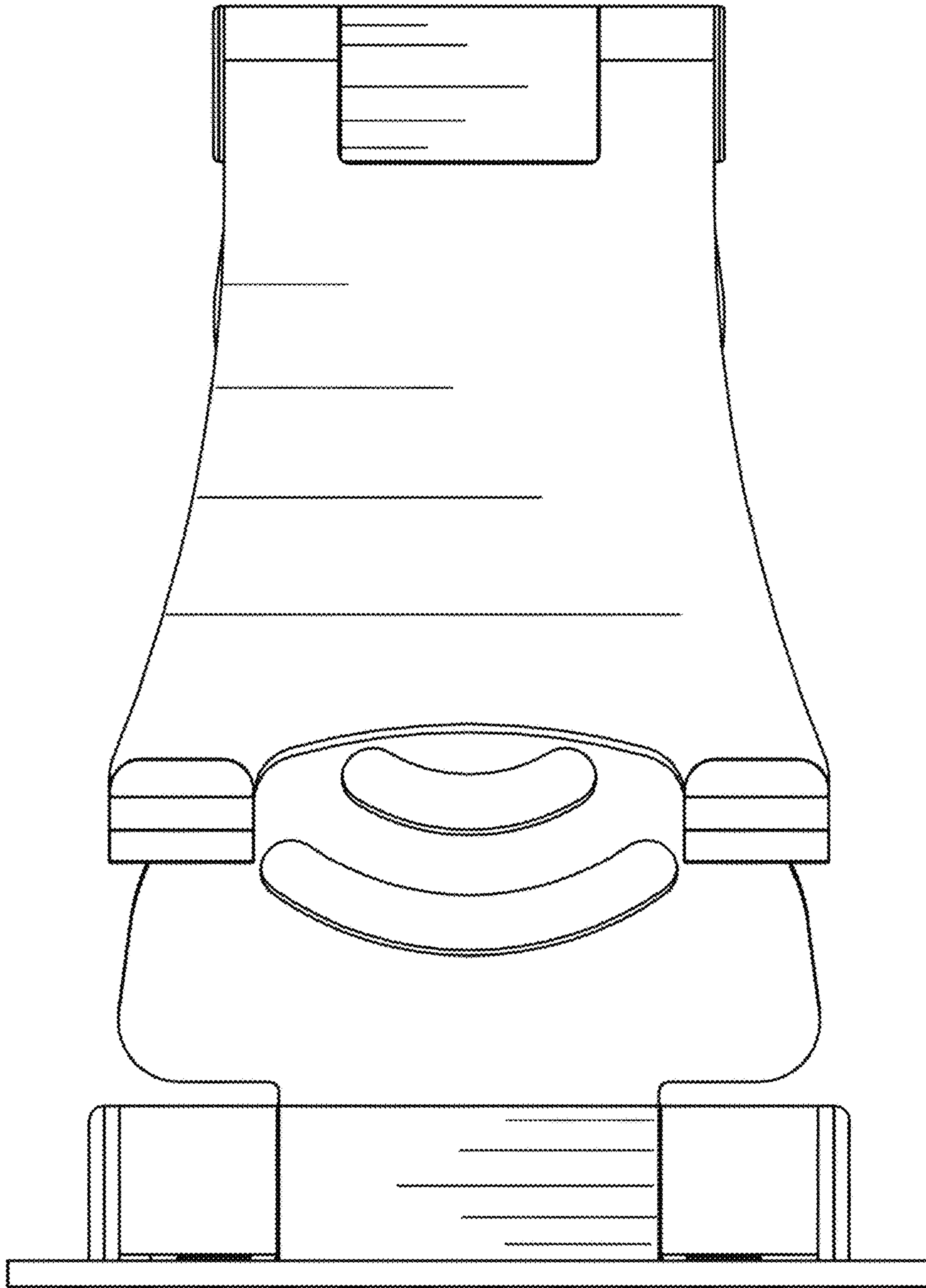


FIG. 1

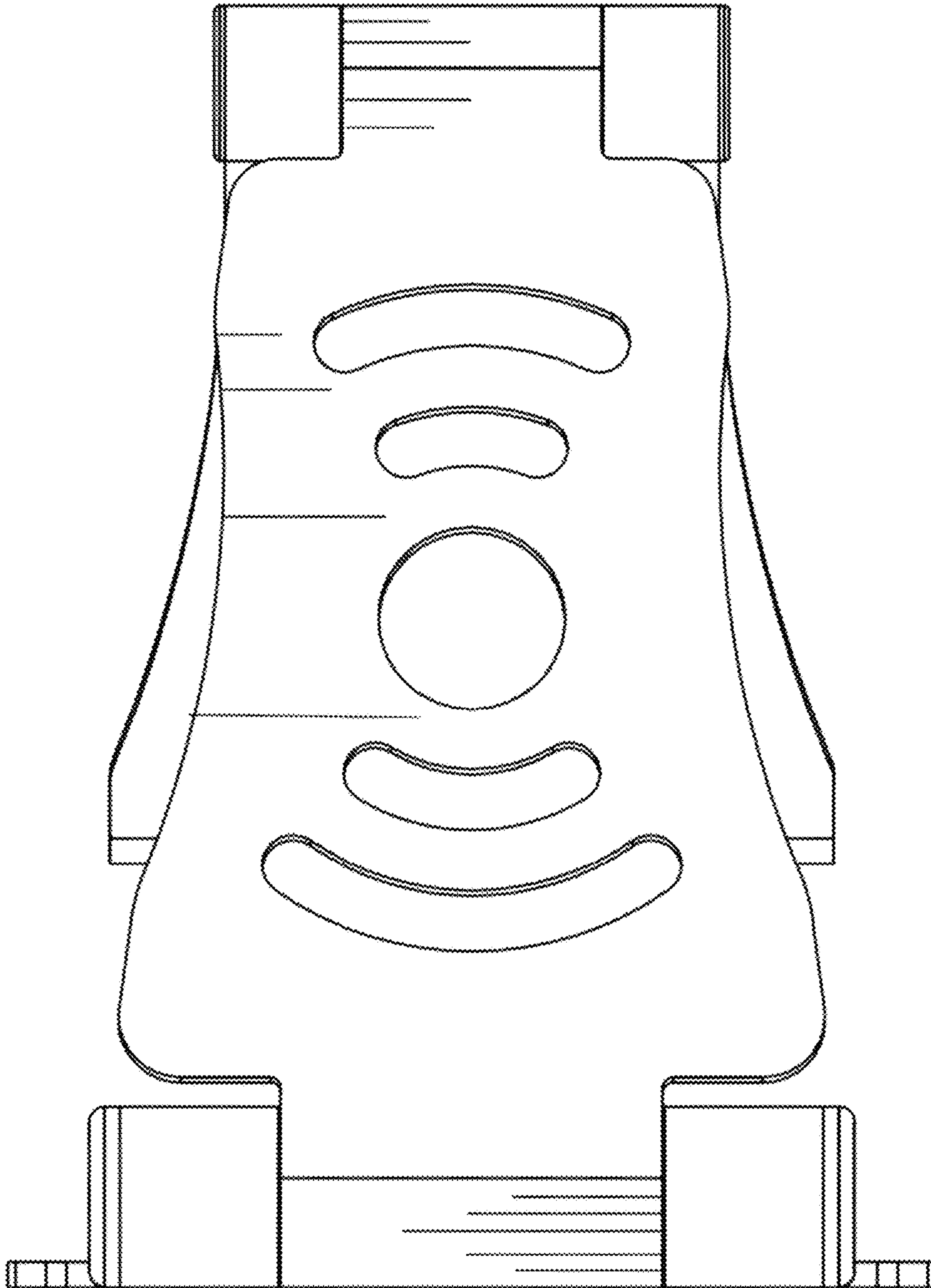


FIG. 2

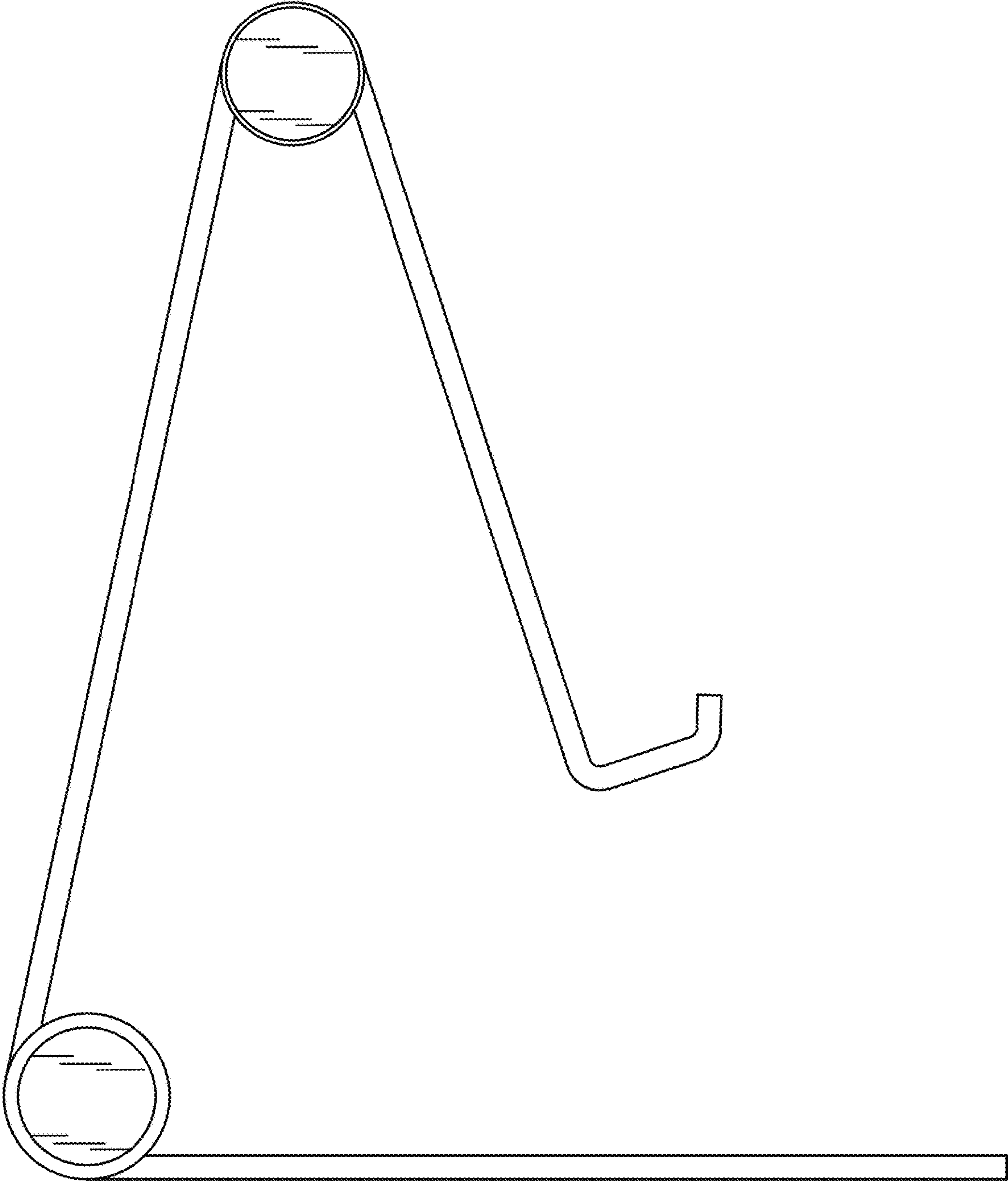


FIG. 3

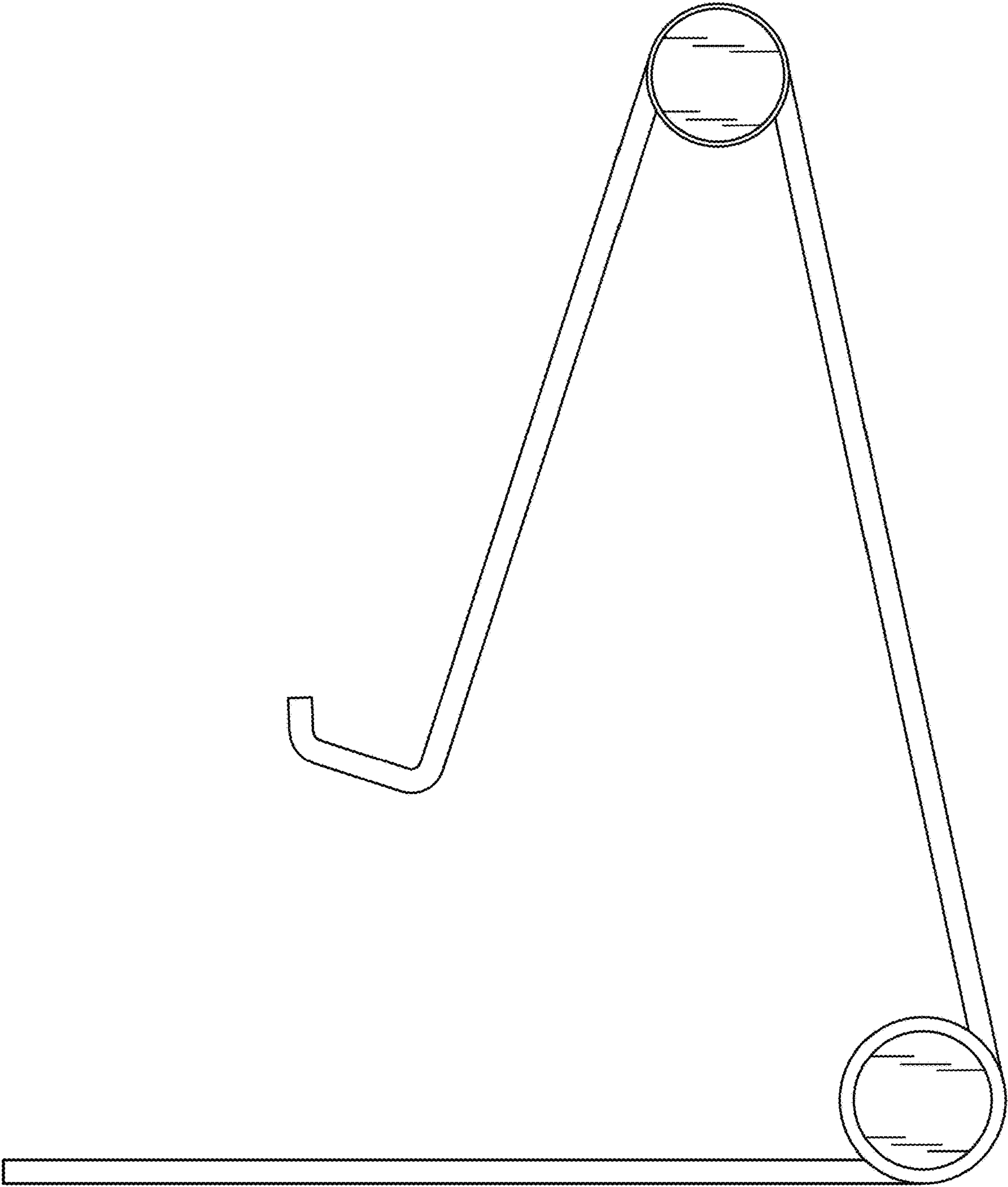


FIG. 4

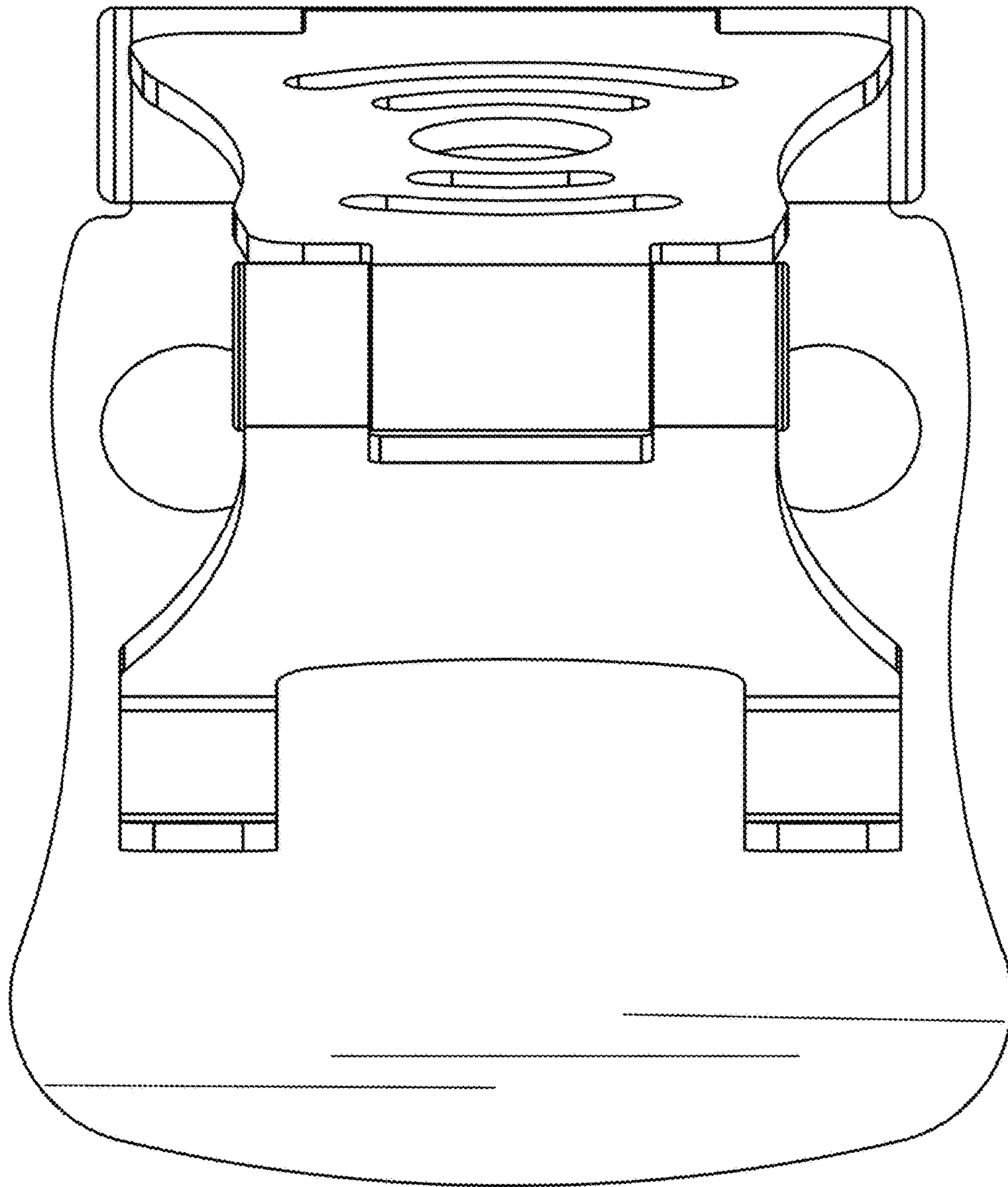


FIG. 5

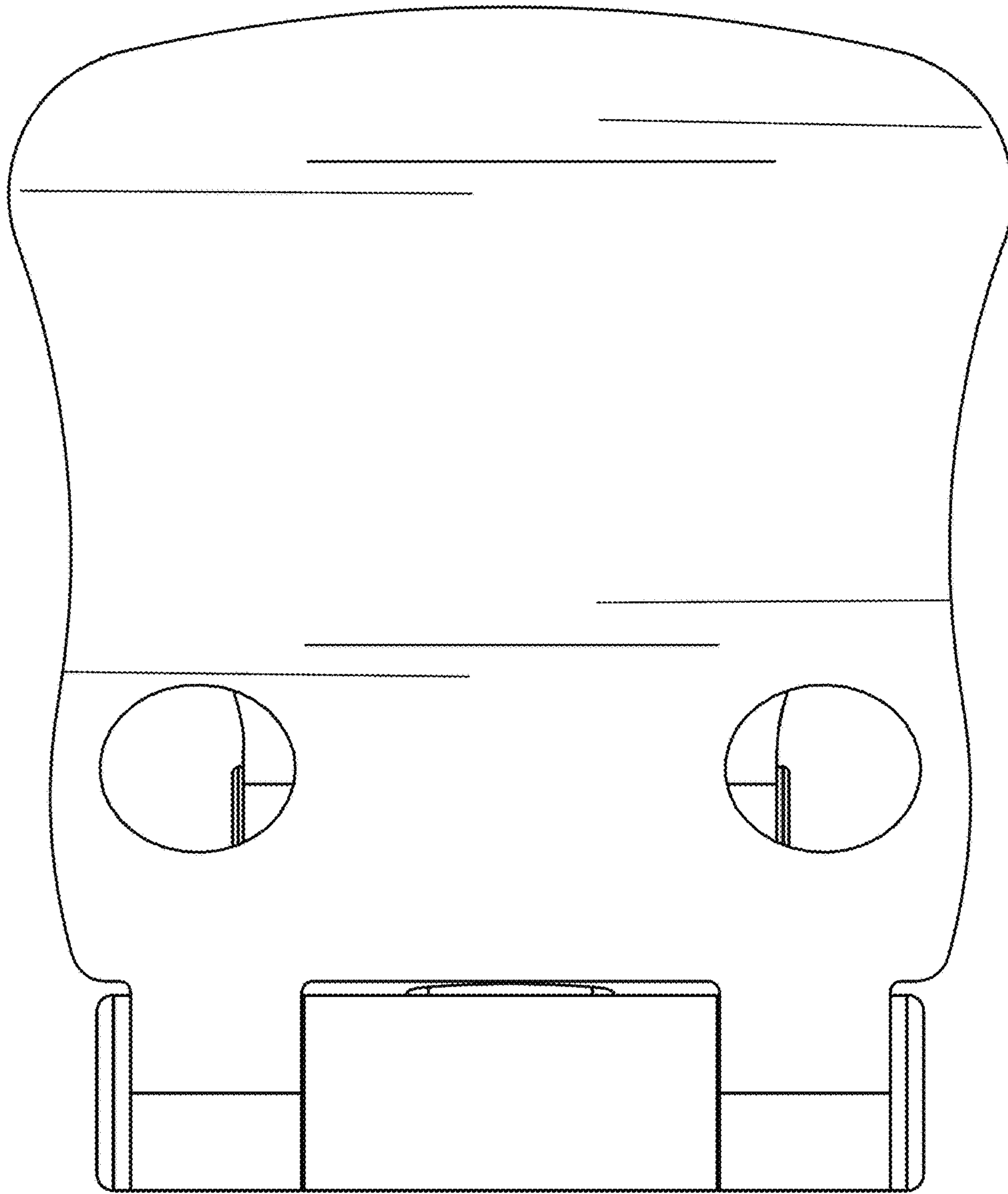


FIG. 6

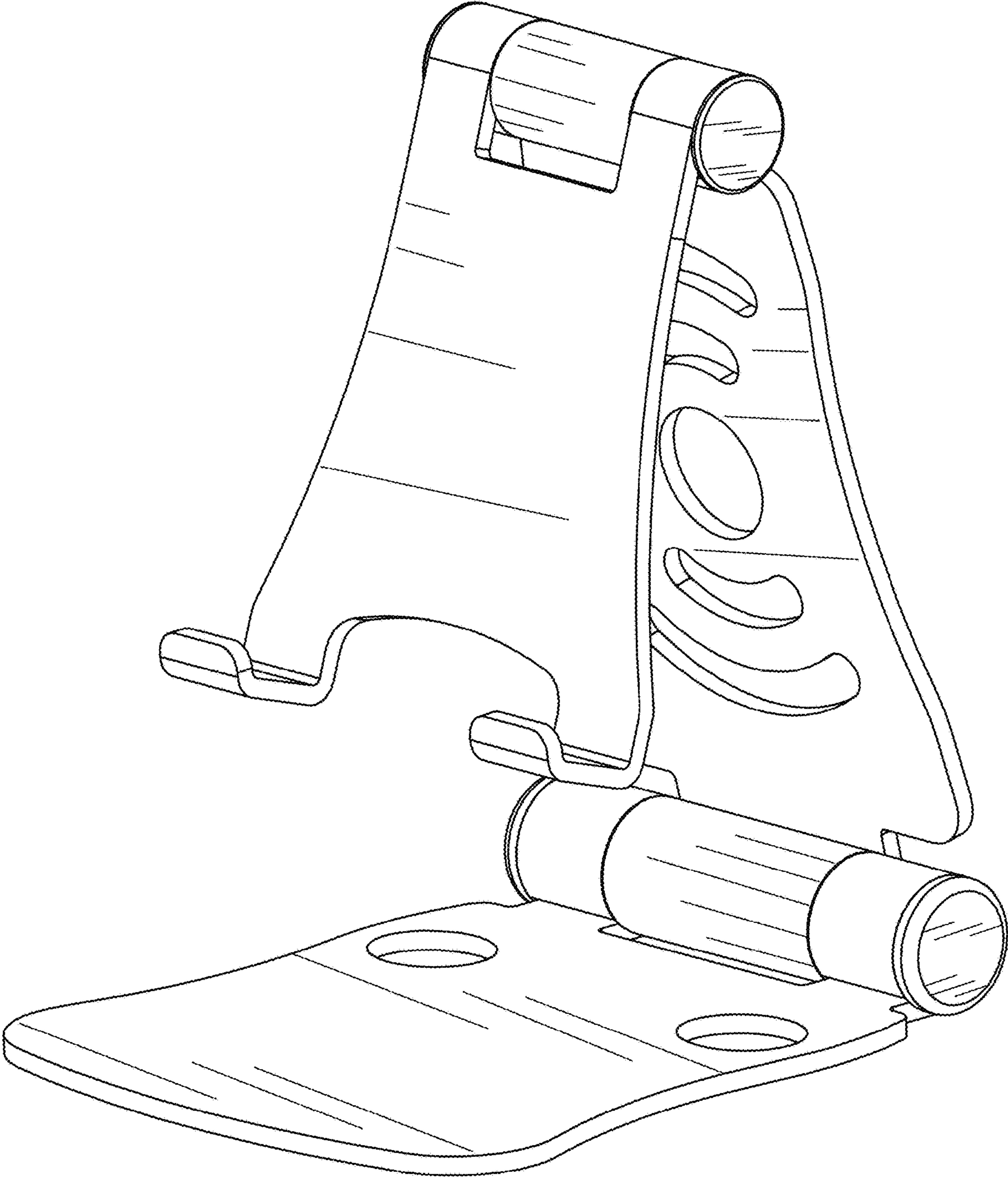


FIG. 7

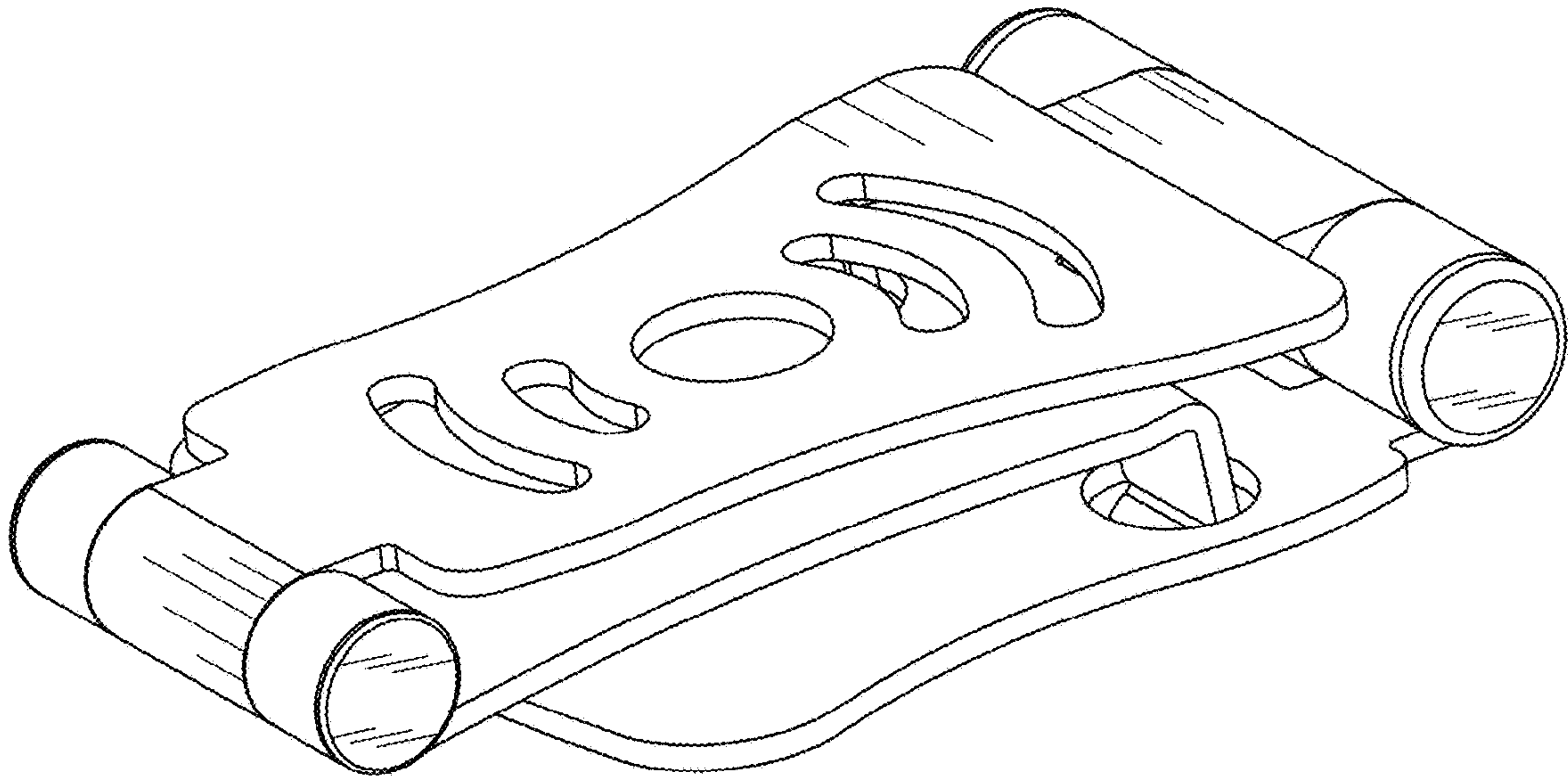


FIG. 8

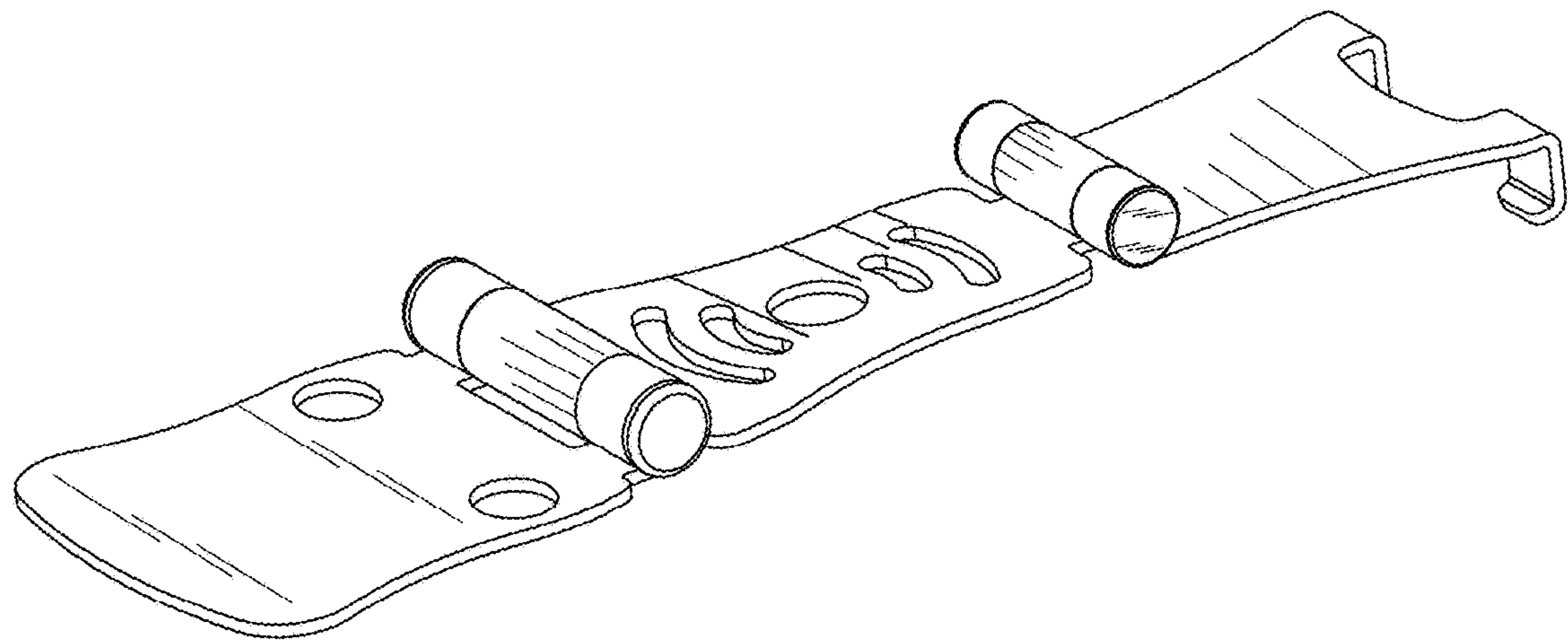


FIG. 9