



US00D839867S

(12) **United States Design Patent** (10) **Patent No.:** **US D839,867 S**
Zhao (45) **Date of Patent:** **** Feb. 5, 2019**

(54) **STAND FOR MOBILE PHONE**
(71) Applicant: **Jianfeng Zhao**, Guangzhou (CN)
(72) Inventor: **Jianfeng Zhao**, Guangzhou (CN)
(**) Term: **15 Years**
(21) Appl. No.: **29/579,175**
(22) Filed: **Sep. 28, 2016**

(30) **Foreign Application Priority Data**

May 20, 2016 (CN) 2016 3 0191756

(51) **LOC (11) Cl.** **14-03**

(52) **U.S. Cl.**
USPC **D14/253**

(58) **Field of Classification Search**
USPC D14/251-253, 447, 451, 452, 440, 434, D14/458, 432, 439, 457, 460, 238.1, 140, D14/142, 149, 217, 148, 140.8, 140.11, D14/209.1, 151, 140.9, 250, 238; D13/107, 108; D12/415, 223, 114, 420, D12/417, 407, 177; D3/218, 215; D16/242-245, 250, 237, 203, 214, 219; D8/349; D6/675, 672, 673, 675.4, 553, D6/676, 310, 406.3, 406.4, 406.5, 406.6, D6/407, 567, 300, 682.3; 248/459, 460; 224/483
CPC F16M 11/00; F16M 11/04; F16M 11/041; F16M 11/02; F16M 11/06; F16M 13/00; H04M 1/02; H04M 1/04; H04M 1/11; H04M 1/12; A47F 7/022; B62J 11/00; H05K 7/00; G03B 17/56

See application file for complete search history.

(56) **References Cited**

U.S. PATENT DOCUMENTS

D650,774 S * 12/2011 Molter D14/239
D652,378 S * 1/2012 Liao D13/108

D676,037 S 2/2013 Schupsky
D689,502 S * 9/2013 Belitz D14/447
D693,296 S * 11/2013 Lin D13/108
D722,235 S 2/2015 Meng
D759,005 S 6/2016 Murakami
D769,858 S * 10/2016 Carruthers D14/253
D778,916 S * 2/2017 Li D14/447
D790,528 S * 6/2017 Lindloff D14/253
D809,287 S * 2/2018 Wei D3/218
D829,203 S * 9/2018 Chen D14/253
2009/0051319 A1 * 2/2009 Fang H02J 7/0044
320/115

* cited by examiner

Primary Examiner — Janice Hallmark

(74) *Attorney, Agent, or Firm* — Muncy, Geissler, Olds & Lowe, P.C.

(57) **CLAIM**

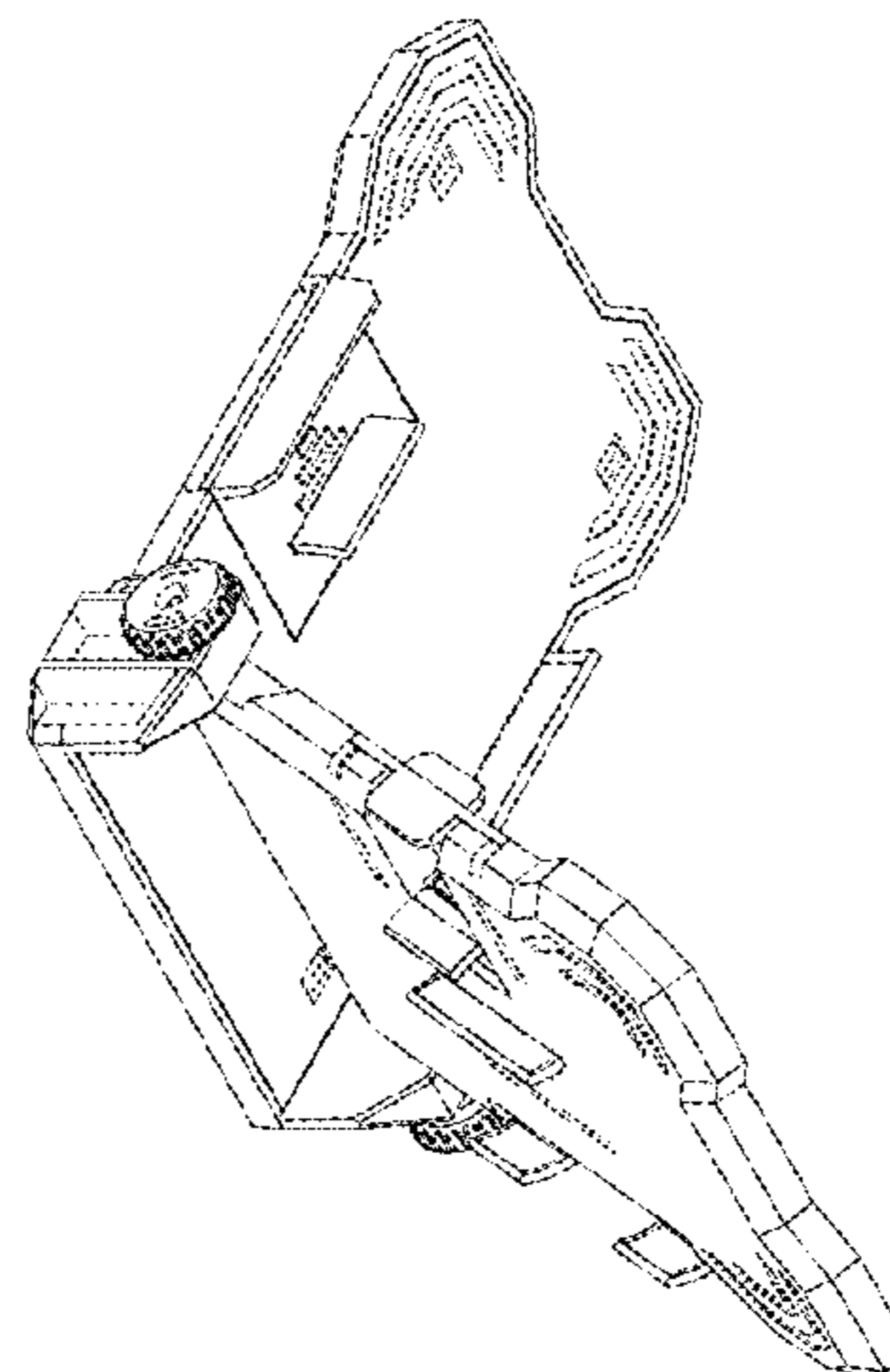
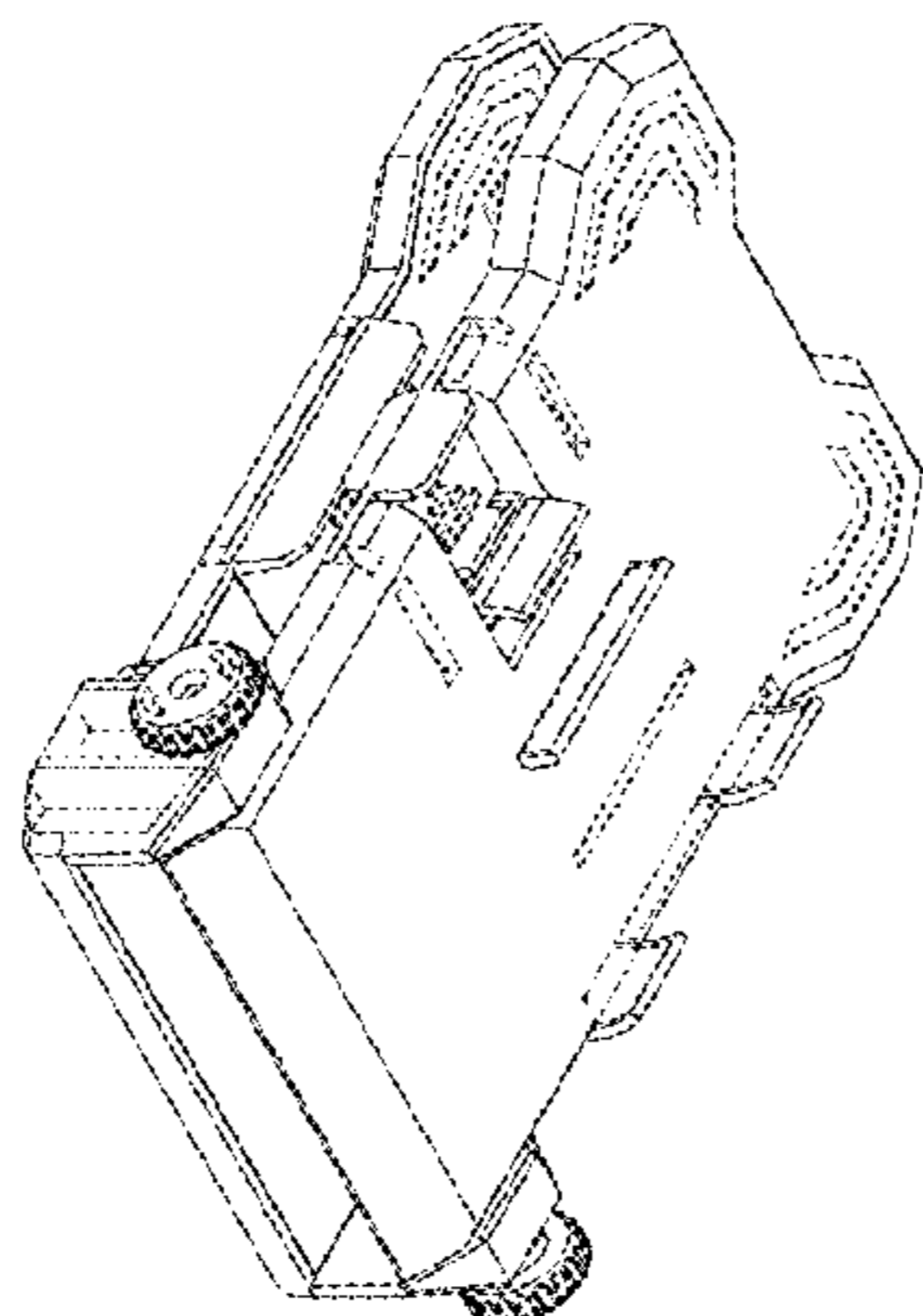
The ornamental design for a stand for mobile phone, as shown and described.

DESCRIPTION

FIG. 1 is a perspective view of a stand for mobile phone in a closed position, showing my new design;
FIG. 2 is a front elevational view thereof;
FIG. 3 is a rear elevational view thereof;
FIG. 4 is a left side view thereof;
FIG. 5 is a right side view thereof;
FIG. 6 is a top plan view thereof;
FIG. 7 is a bottom plan view thereof;
FIG. 8 is a perspective view of a stand for mobile phone in an open position, showing my new design;
FIG. 9 is a front elevational view thereof;
FIG. 10 is a rear elevational view thereof;
FIG. 11 is a left side view thereof;
FIG. 12 is a right side view thereof;
FIG. 13 is a top plan view thereof; and,
FIG. 14 is a bottom plan view thereof.

The broken lines illustrate portions of the stand for mobile phone which form no part of the claimed design.

1 Claim, 14 Drawing Sheets



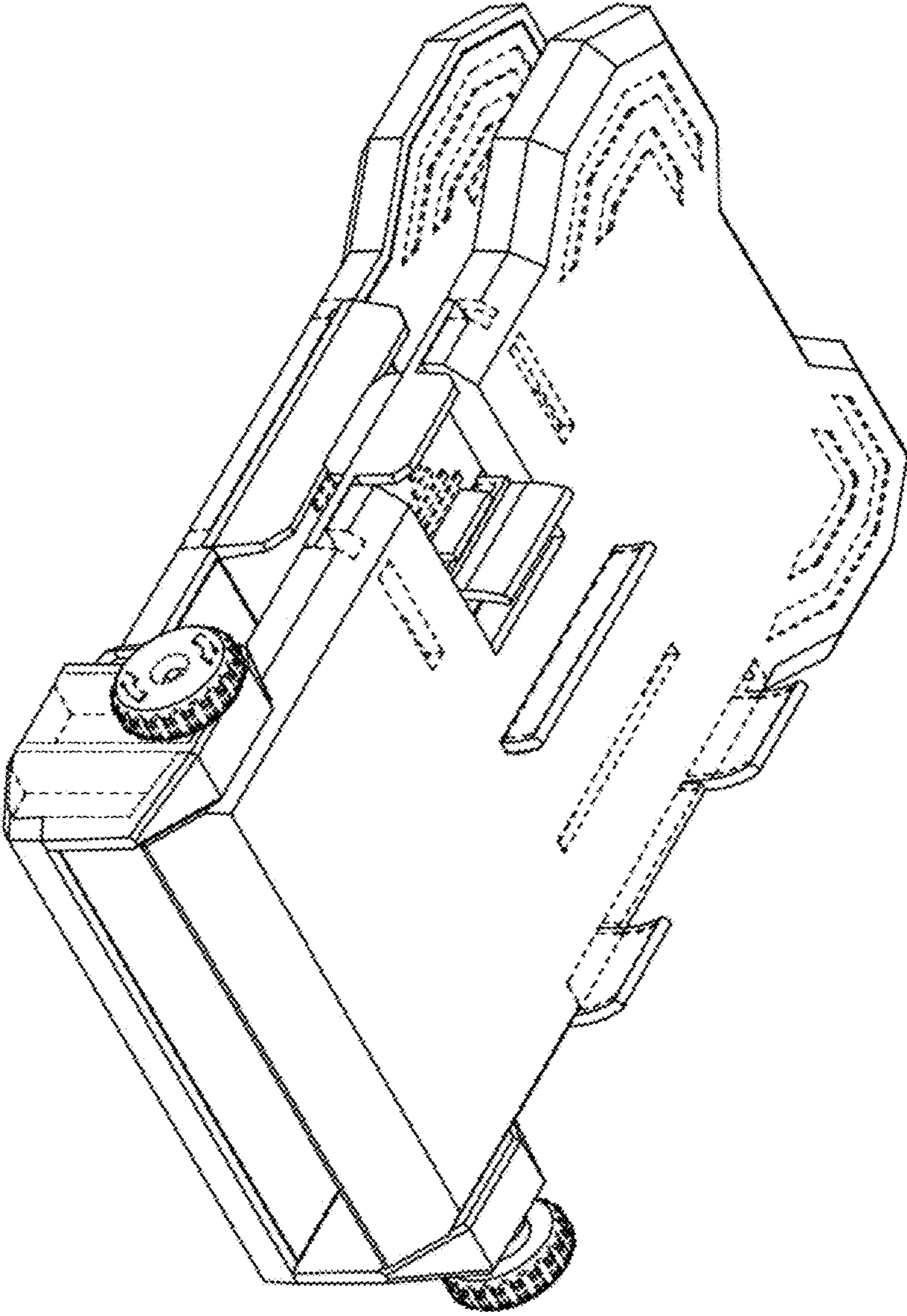


Fig. 1

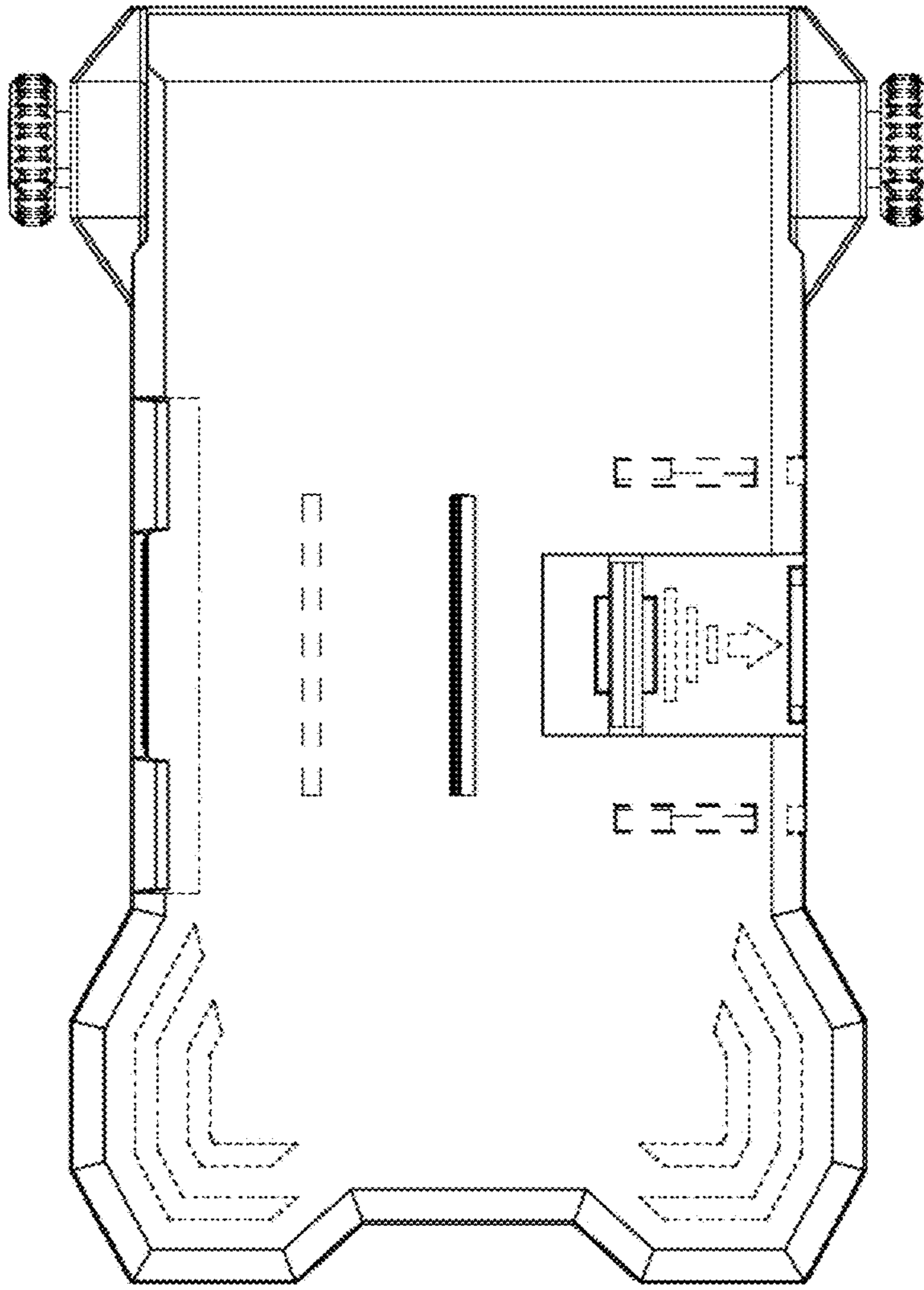


Fig. 2

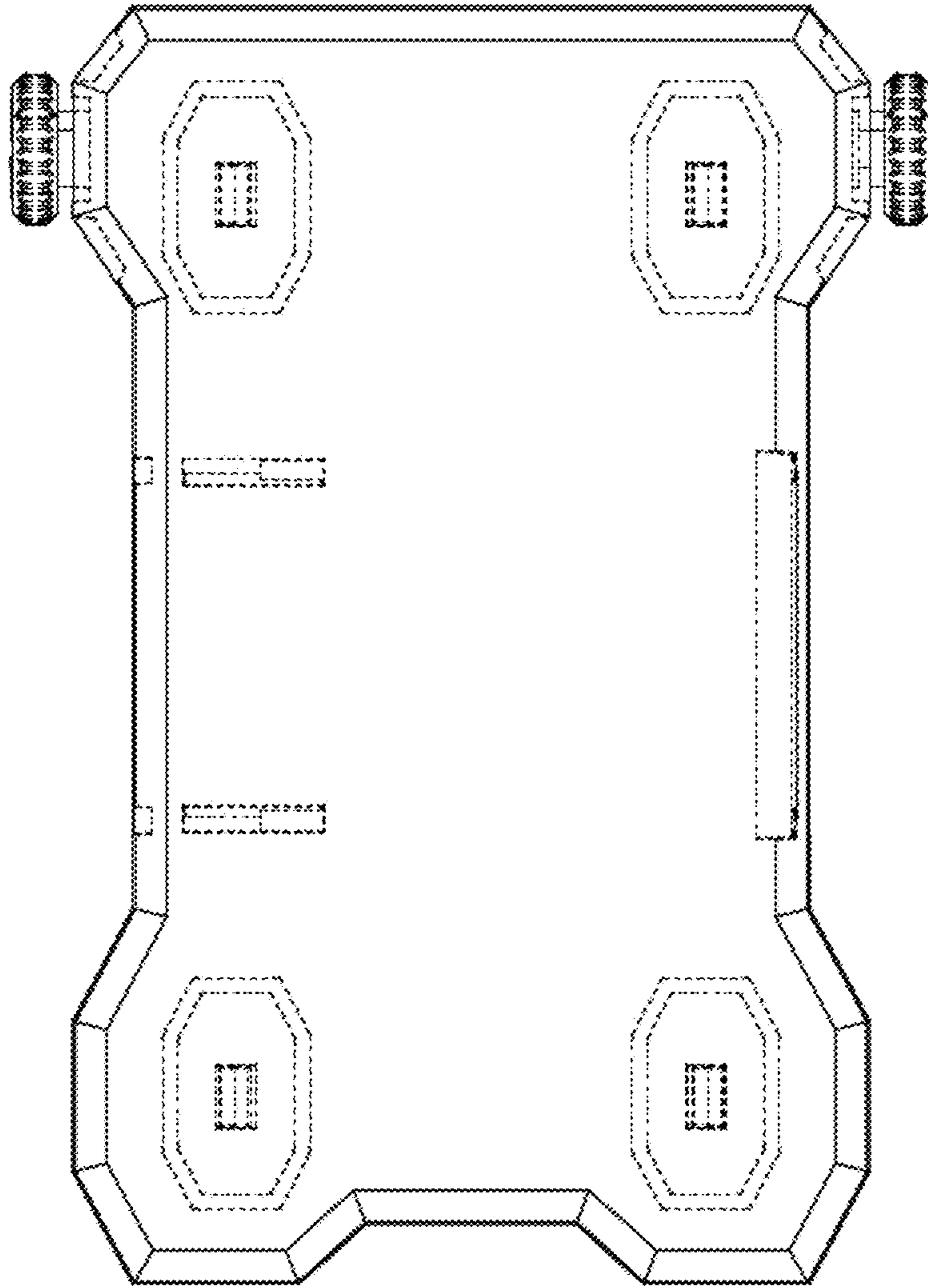


Fig. 3

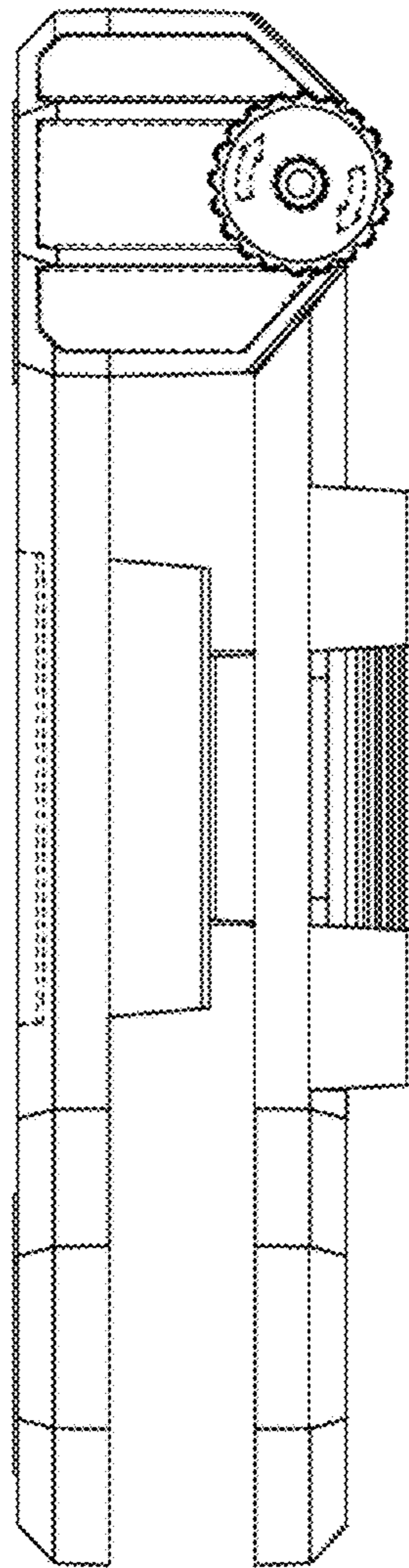


Fig. 4

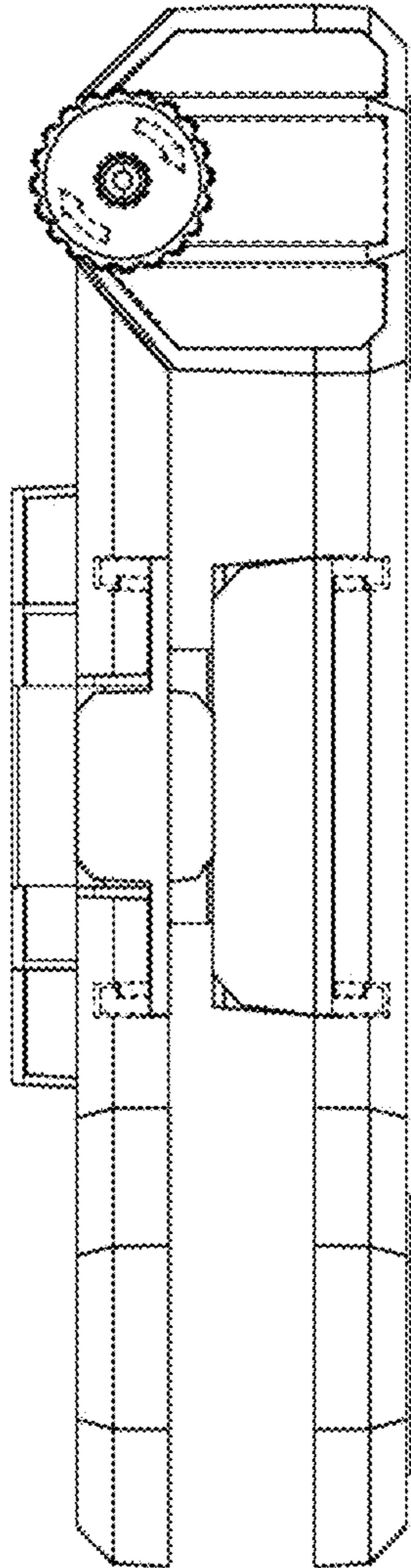


Fig. 5

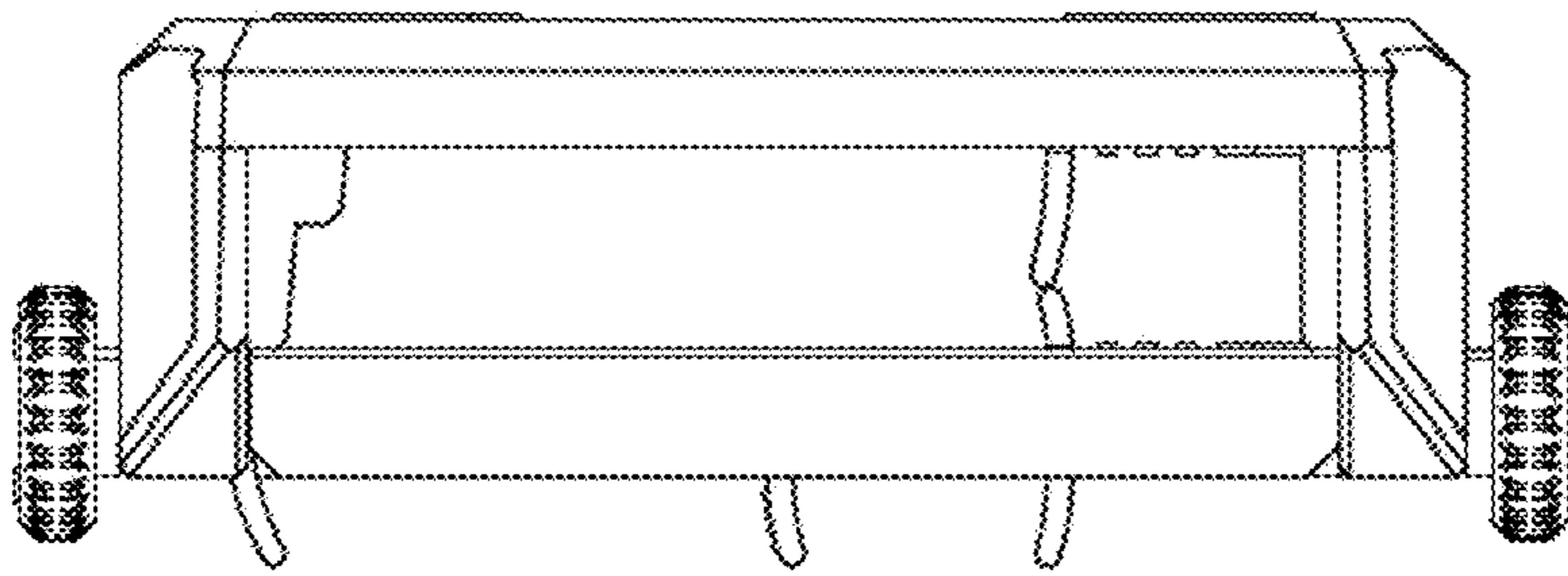


Fig. 6

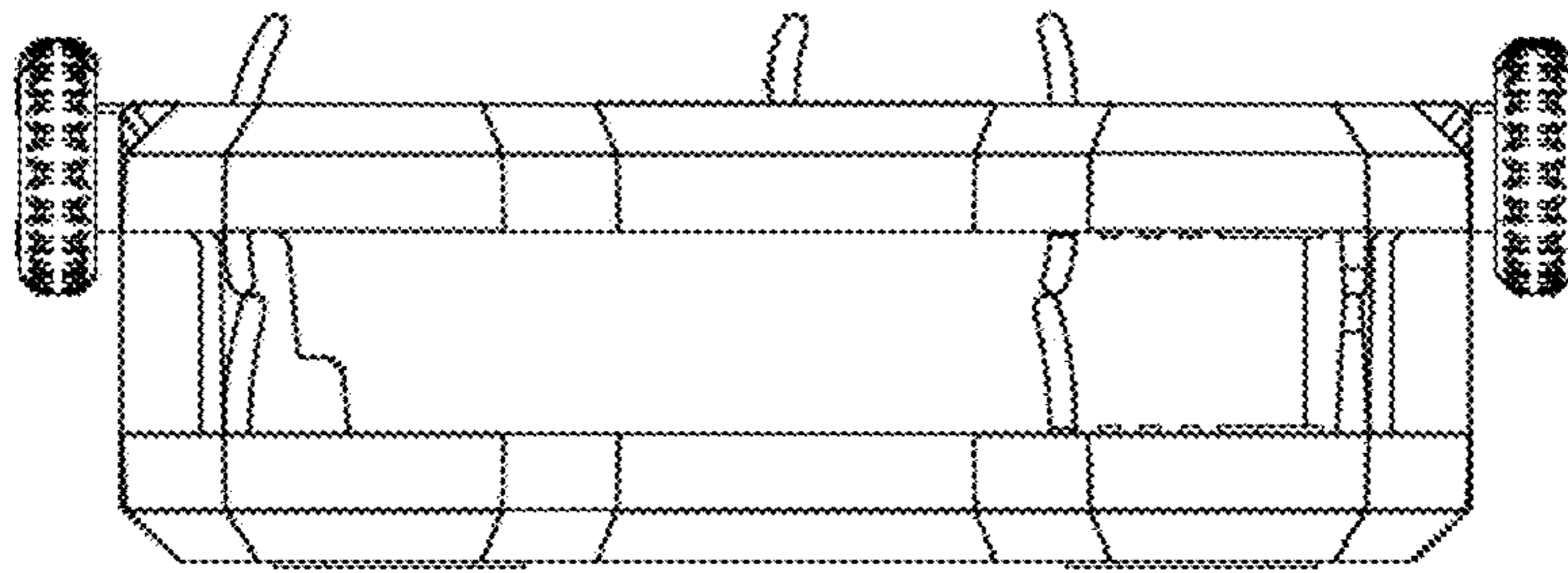


Fig. 7

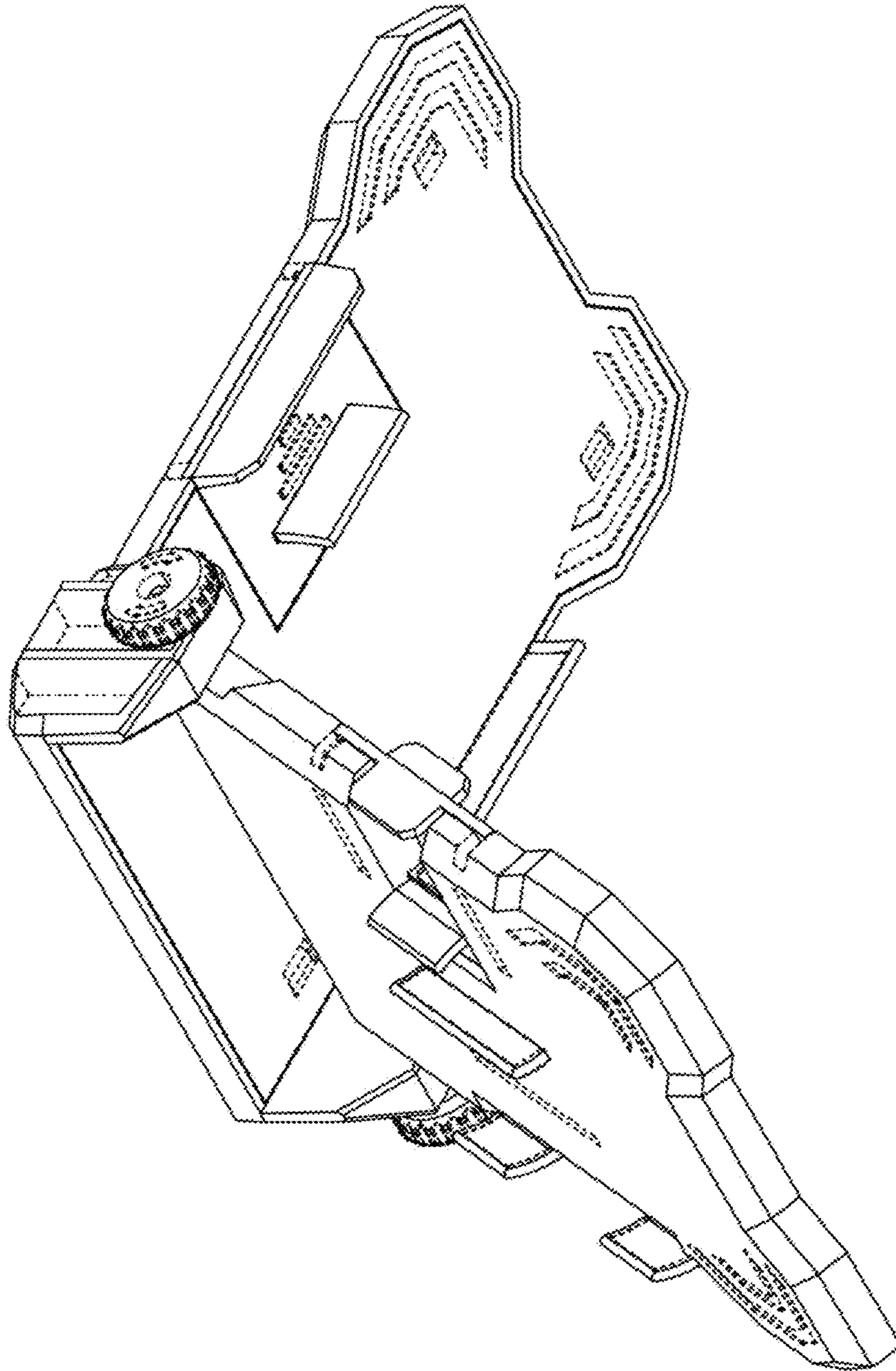


Fig. 8

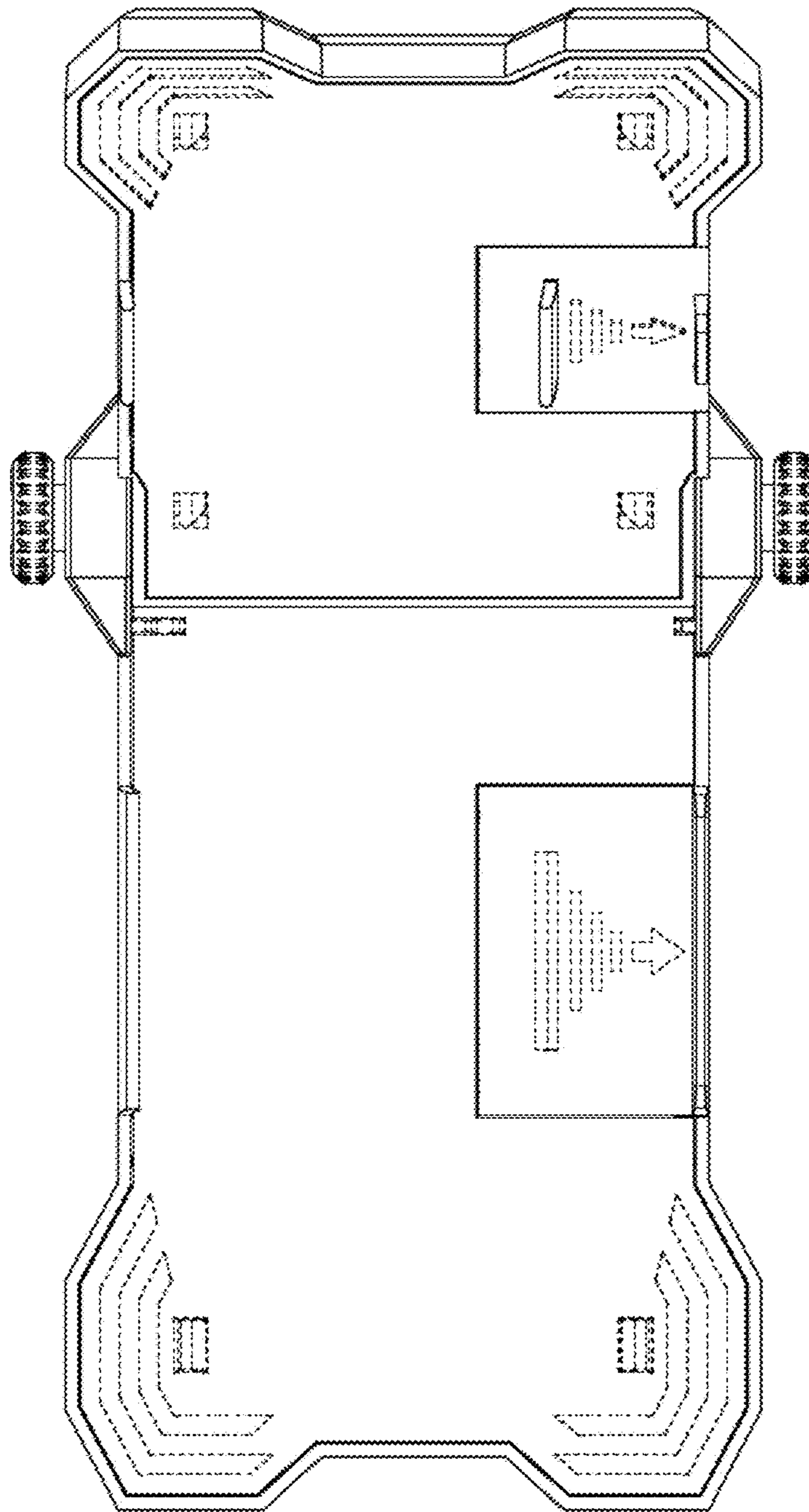


Fig. 9

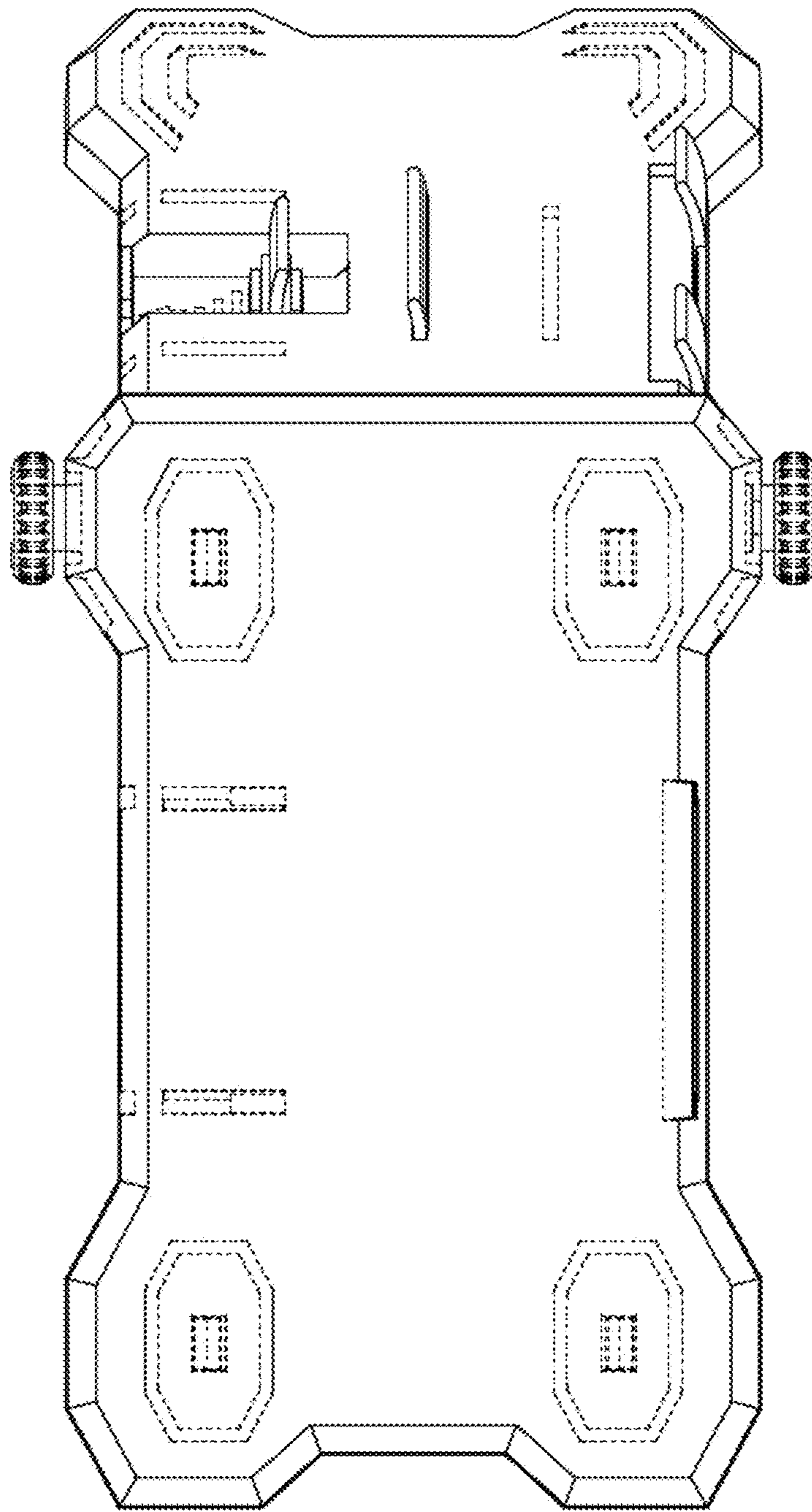


Fig. 10

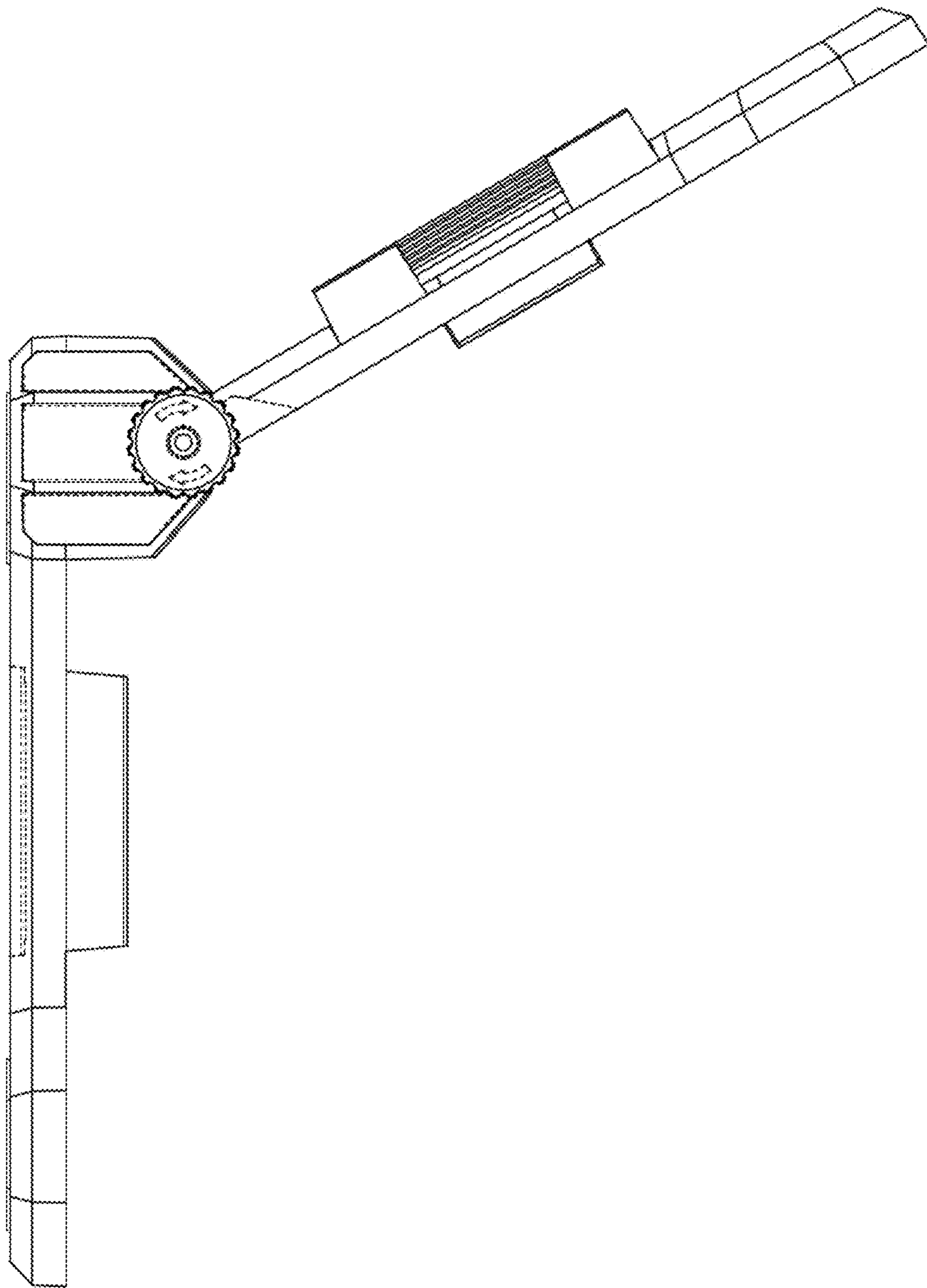


Fig. 11

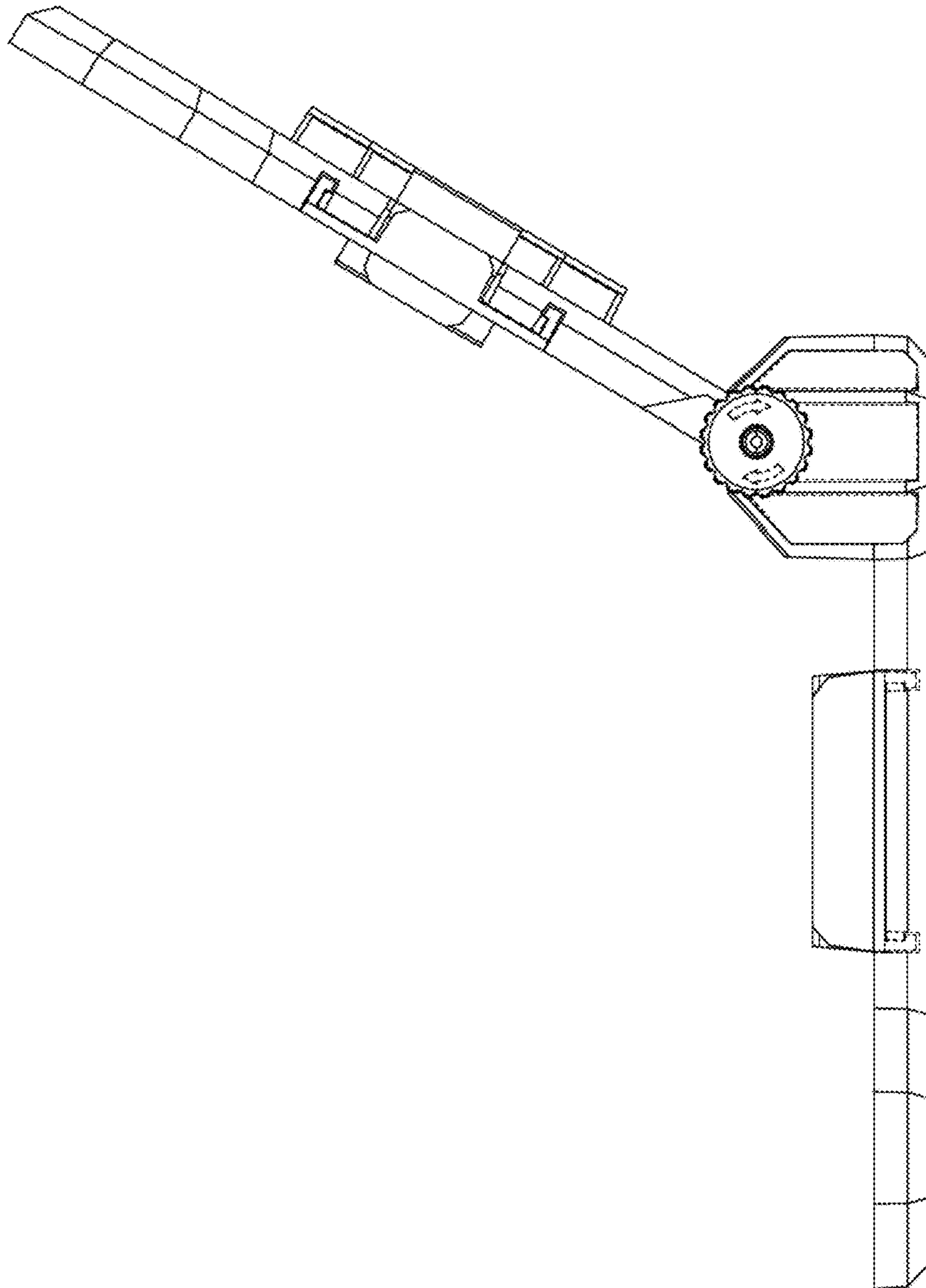


Fig. 12

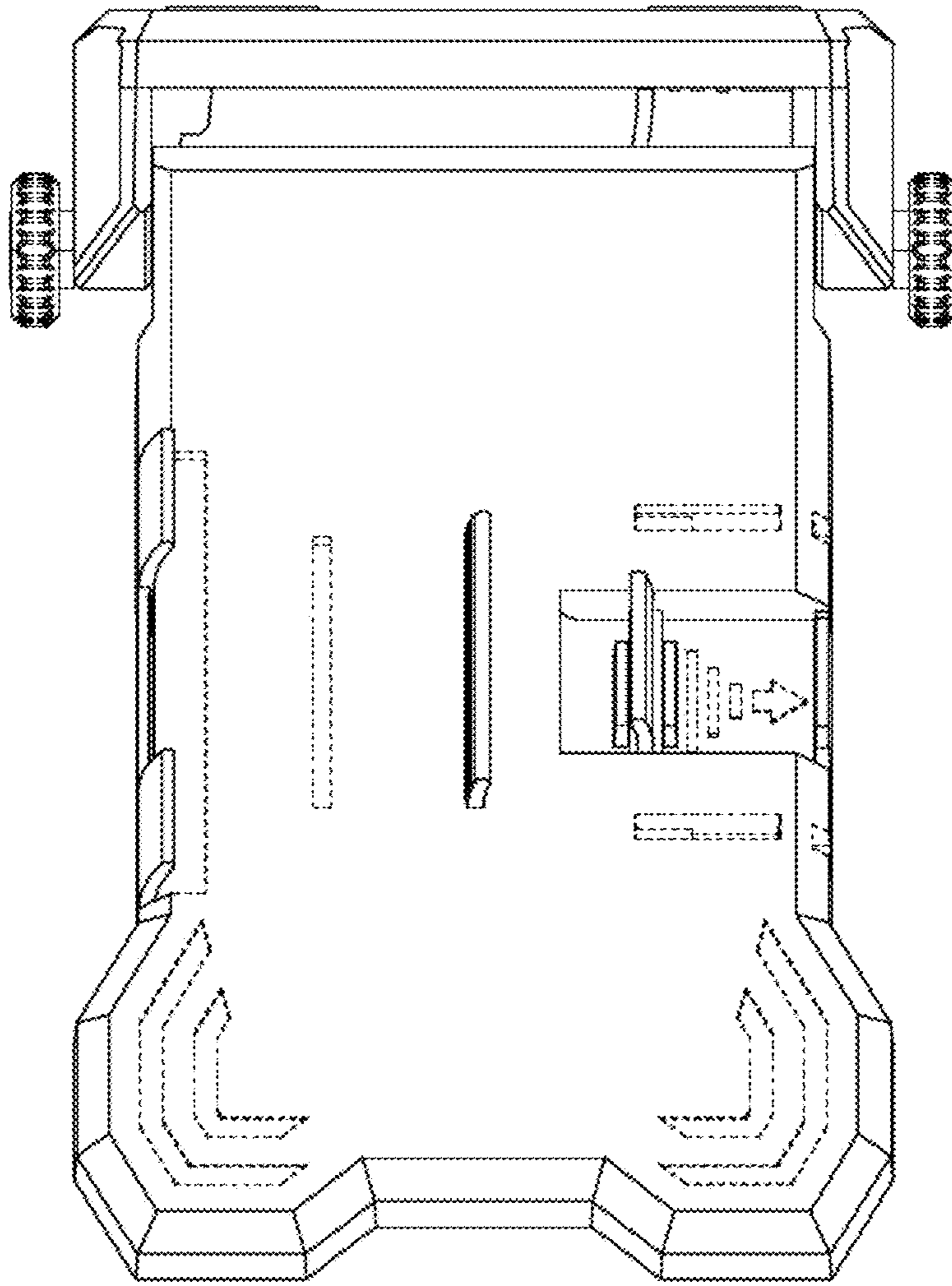


Fig. 13

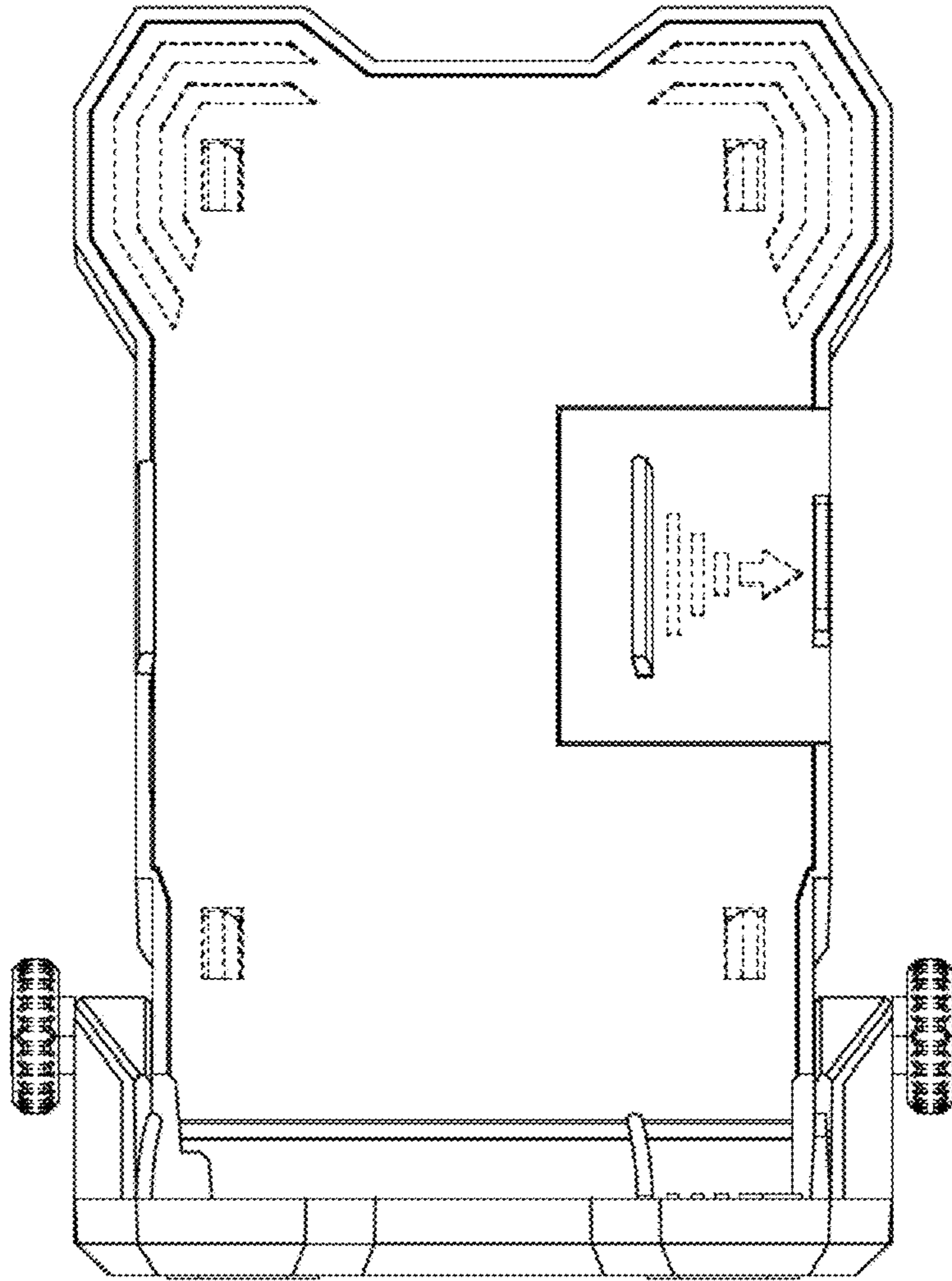


Fig. 14