



US00D839866S

(12) **United States Design Patent** (10) **Patent No.:** **US D839,866 S**  
**Entwistle** (45) **Date of Patent:** **\*\* \*Feb. 5, 2019**

(54) **JOINT MEMBER FOR A MOUNTING UNIT FOR AUDIOVISUAL DEVICES**

(71) Applicant: **URBEN TECHNOLOGIES LIMITED**, St Albans, Hertfordshire (GB)

(72) Inventor: **Mike Entwistle**, St Albans (GB)

(73) Assignee: **URBEN TECHNOLOGIES LIMITED**, St Albans, Hertfordshire (GB)

(\* ) Notice: This patent is subject to a terminal disclaimer.

(\*\*) Term: **15 Years**

(21) Appl. No.: **29/583,447**

(22) Filed: **Nov. 4, 2016**

(30) **Foreign Application Priority Data**

Oct. 12, 2016 (EM) ..... 003416643-0002

(51) **LOC (11) Cl.** ..... **14-03**

(52) **U.S. Cl.**  
USPC ..... **D14/251**

(58) **Field of Classification Search**  
USPC ..... D14/251, 240, 217, 447, 253, 496;  
224/558; 248/205.3; D16/200, 244  
CPC ..... H04B 1/3888; H04M 1/0283; A45C 1/06;  
H05K 5/0204  
See application file for complete search history.

(56) **References Cited**

**U.S. PATENT DOCUMENTS**

D387,078 S \* 12/1997 Akita ..... D16/200  
D426,564 S \* 6/2000 Rose ..... D16/130  
D488,648 S 4/2004 Stanton

D489,828 S \* 5/2004 Barnett ..... D25/119  
D538,318 S \* 3/2007 Sprague ..... D16/130  
D542,820 S \* 5/2007 Depay ..... D16/202  
D560,685 S 1/2008 Lopez  
D603,827 S \* 11/2009 Tompkin ..... D14/138 AD  
D609,727 S \* 2/2010 Adolfsson ..... D16/200  
D610,178 S \* 2/2010 Adolfsson ..... D16/200  
D623,651 S \* 9/2010 Hsu ..... D14/218  
D641,389 S \* 7/2011 Dastagir ..... D16/219  
D655,021 S \* 2/2012 Oetlinger ..... D25/119  
D684,203 S \* 6/2013 Uemachi ..... D16/200  
D684,204 S \* 6/2013 Uemachi ..... D16/200  
D710,025 S 7/2014 Johnson et al.

(Continued)

*Primary Examiner* — Cynthia R Underwood  
(74) *Attorney, Agent, or Firm* — Craft Chu PLLC;  
Andrew W. Chu

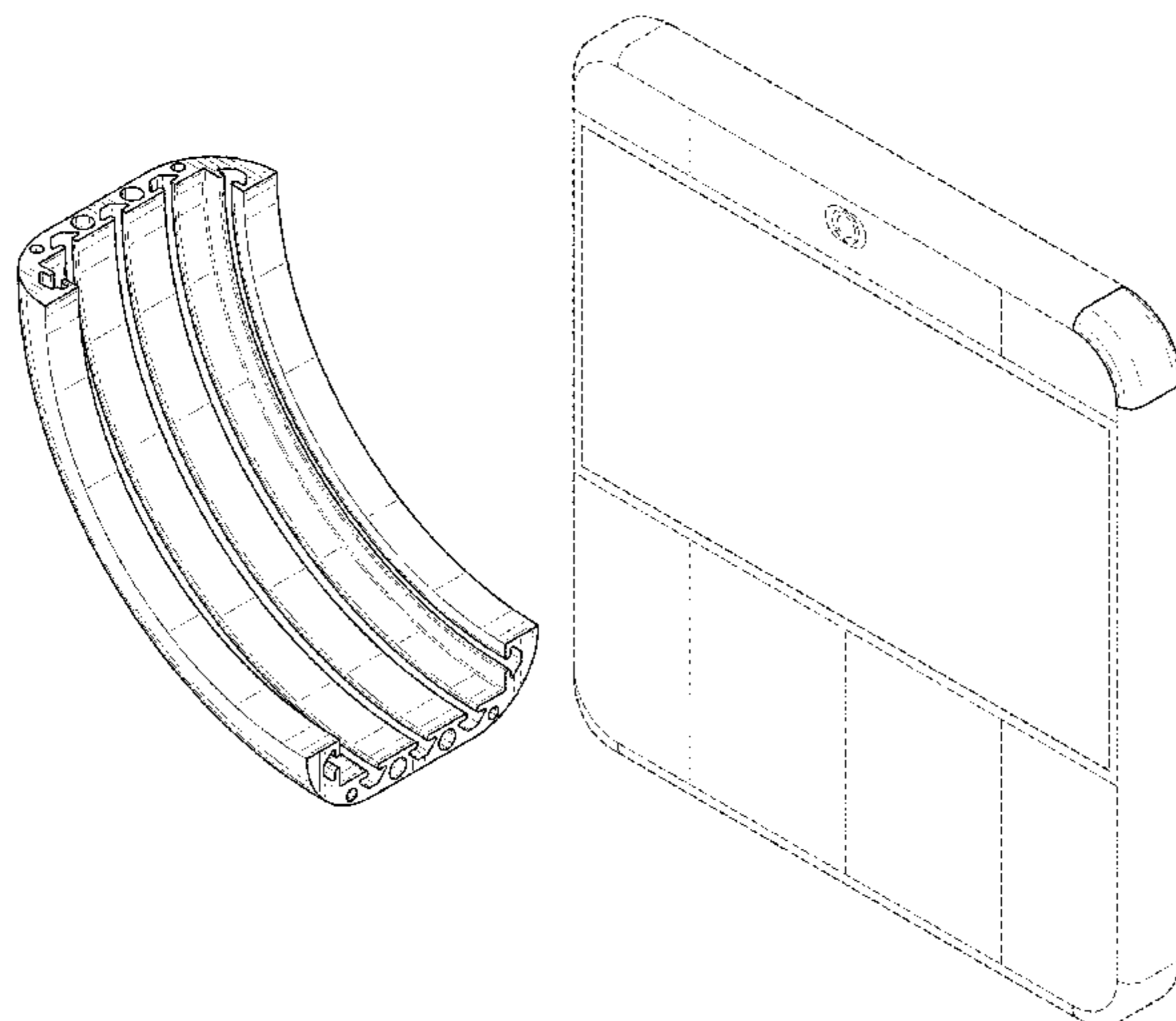
(57) **CLAIM**

The ornamental design for a joint member for a mounting unit for audiovisual devices, as shown and described.

**DESCRIPTION**

FIG. 1 is an upper perspective view of the joint member for a mounting unit for audiovisual devices showing my design. FIG. 2 is a side elevation view thereof, an opposite side elevation view being identical; FIG. 3 is an end elevation view, an opposite end view being identical; FIG. 4 is a front elevation view thereof, a back elevation view being identical; FIG. 5 is a side perspective view thereof; and, FIG. 6 is a perspective view thereof, showing the joint member in a mounting unit with other joint members in broken lines. The broken lines in FIG. 6 indicate environment and form no part of the claimed design. The line break symbols indicate the appearance of any portion of the article between the line breaks forms no part of the claimed design.

**1 Claim, 3 Drawing Sheets**



(56)

References Cited

U.S. PATENT DOCUMENTS

D710,921 S \* 8/2014 Gioscia ..... D16/200  
 D717,289 S \* 11/2014 Takabatake ..... D14/252  
 D722,043 S \* 2/2015 Requa ..... D13/108  
 D725,638 S 3/2015 Hofman et al.  
 D730,880 S \* 6/2015 Nagata ..... D14/240  
 D731,298 S 6/2015 Therrien  
 D733,788 S \* 7/2015 Baker ..... D16/237  
 D734,136 S 7/2015 Therrien  
 D744,473 S \* 12/2015 Tsai ..... D14/251  
 D753,642 S \* 4/2016 Imuro ..... D14/253  
 D754,991 S 5/2016 Gosling et al.  
 D755,994 S \* 5/2016 Oetlinger ..... D25/121  
 D757,017 S \* 5/2016 Sirichai ..... D14/440  
 D759,012 S \* 6/2016 Golden ..... D10/50  
 D769,234 S \* 10/2016 Rami ..... D14/253  
 D769,346 S \* 10/2016 Nguyen ..... D16/218  
 D770,436 S \* 11/2016 Schwarz ..... D14/251  
 D770,437 S \* 11/2016 Schwarz ..... D14/140.8  
 D770,438 S \* 11/2016 Schwarz ..... D14/251

D780,167 S \* 2/2017 Tien ..... D14/250  
 D788,094 S \* 5/2017 Kim ..... D14/250  
 D788,762 S \* 6/2017 Kim ..... D14/250  
 D789,999 S \* 6/2017 Yakabe ..... D16/200  
 D798,339 S \* 9/2017 Yang ..... D14/203.1  
 D805,569 S \* 12/2017 Daugela ..... D16/200  
 D809,498 S \* 2/2018 Ahn ..... D14/250  
 D816,070 S \* 4/2018 Marzynski ..... D14/240  
 D816,140 S \* 4/2018 Ranetkins ..... D16/200  
 D816,656 S \* 5/2018 Kim ..... D14/253  
 2002/0085342 A1 \* 7/2002 Chen ..... G06F 1/1616  
 361/679.55  
 2008/0088941 A1 \* 4/2008 Jiang ..... G02B 13/08  
 359/668  
 2013/0271897 A1 \* 10/2013 Limber ..... H04B 1/3888  
 361/679.01  
 2014/0252786 A1 \* 9/2014 Singhal ..... G06F 1/1626  
 294/137  
 2016/0021996 A1 \* 1/2016 Tien ..... A45C 11/00  
 224/191

\* cited by examiner

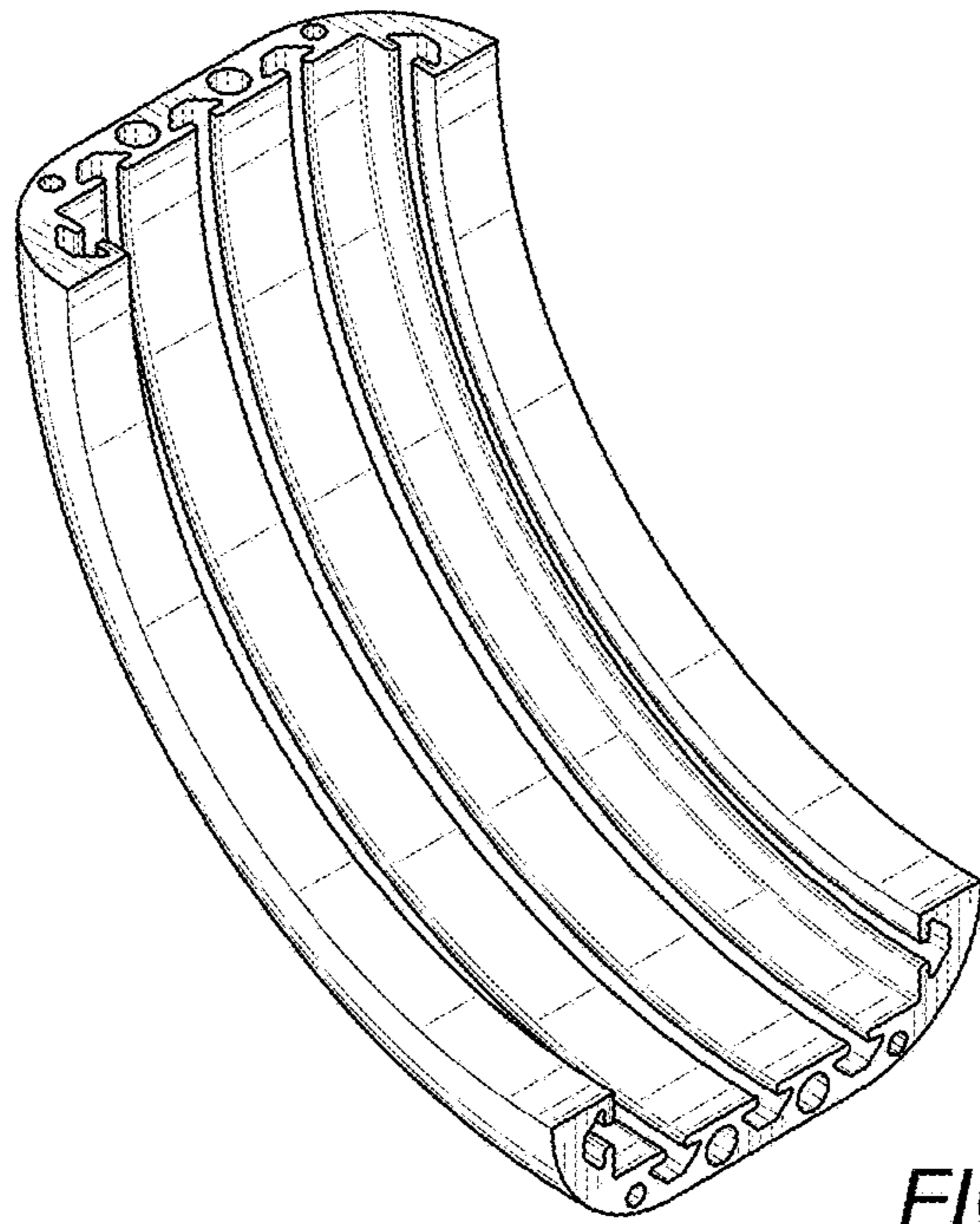


FIG. 1

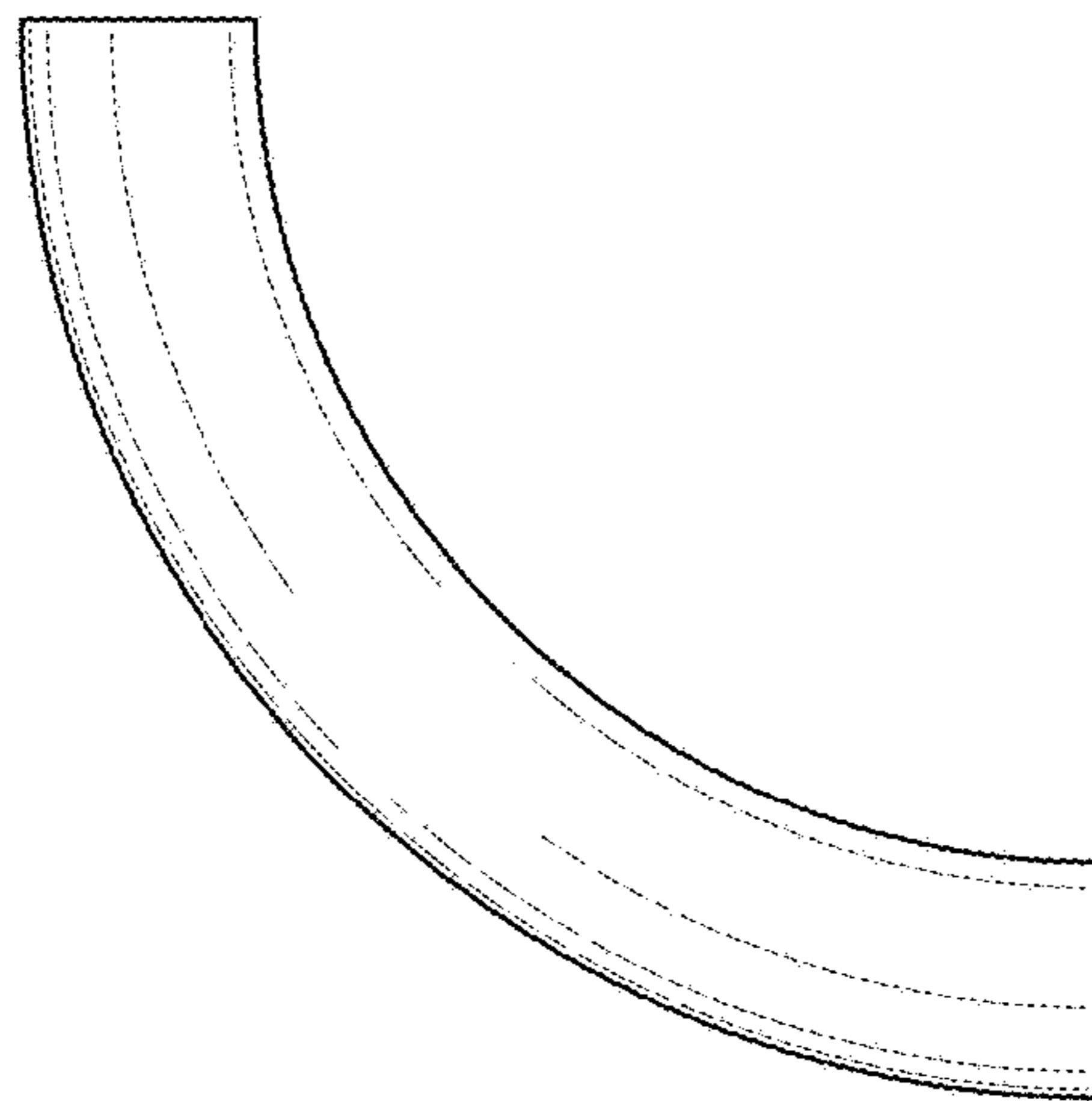


FIG. 2

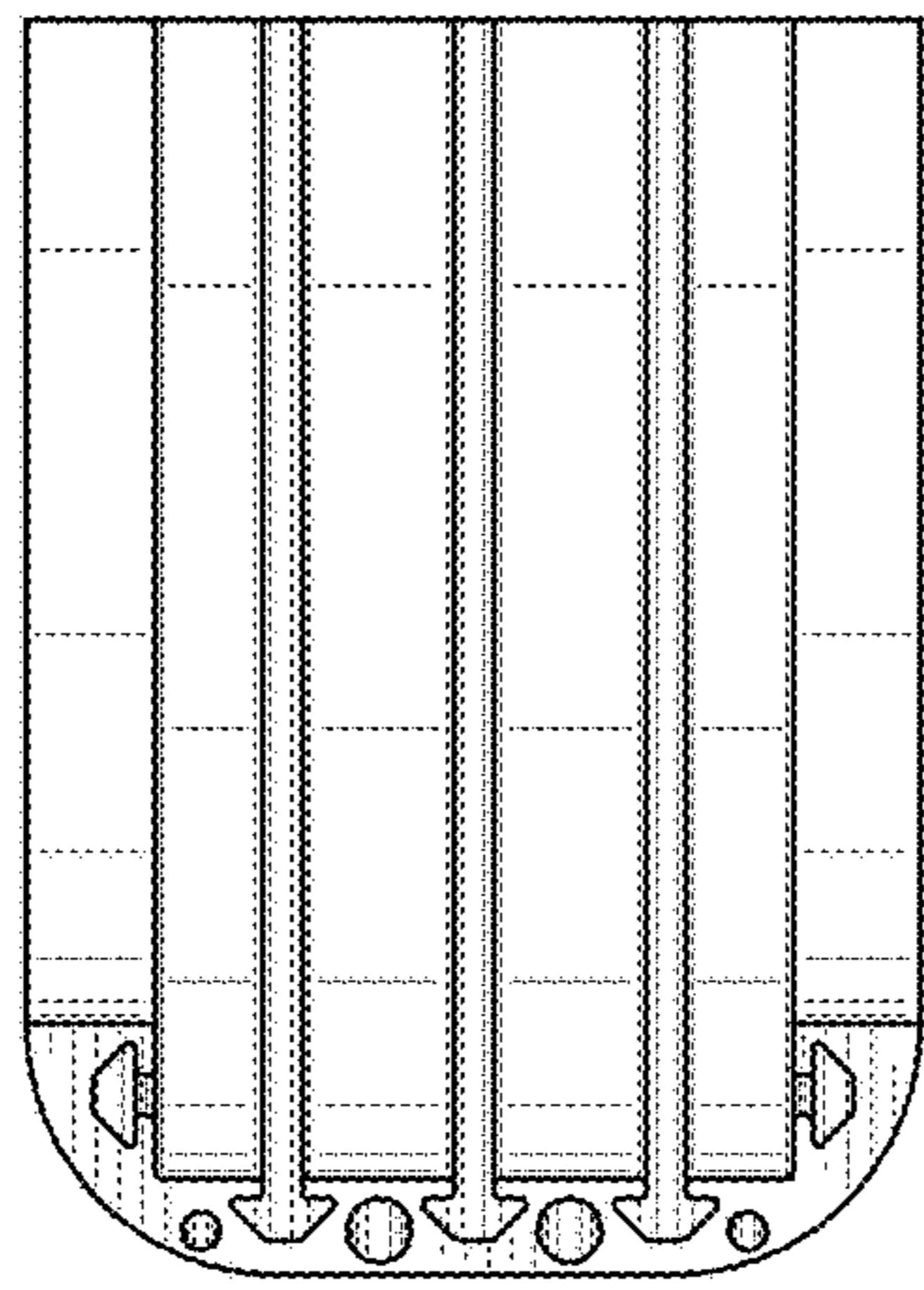


FIG. 3

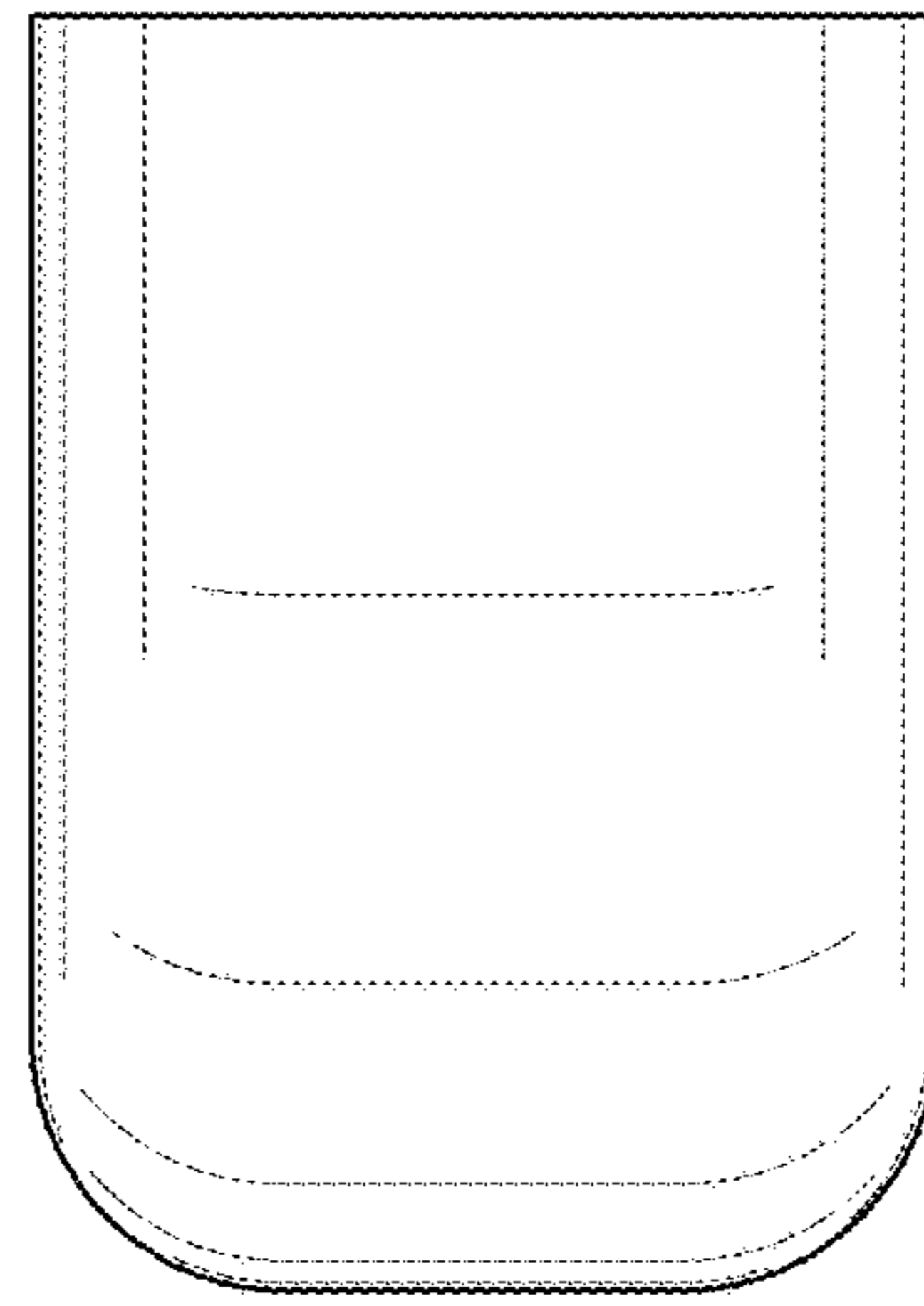


FIG. 4

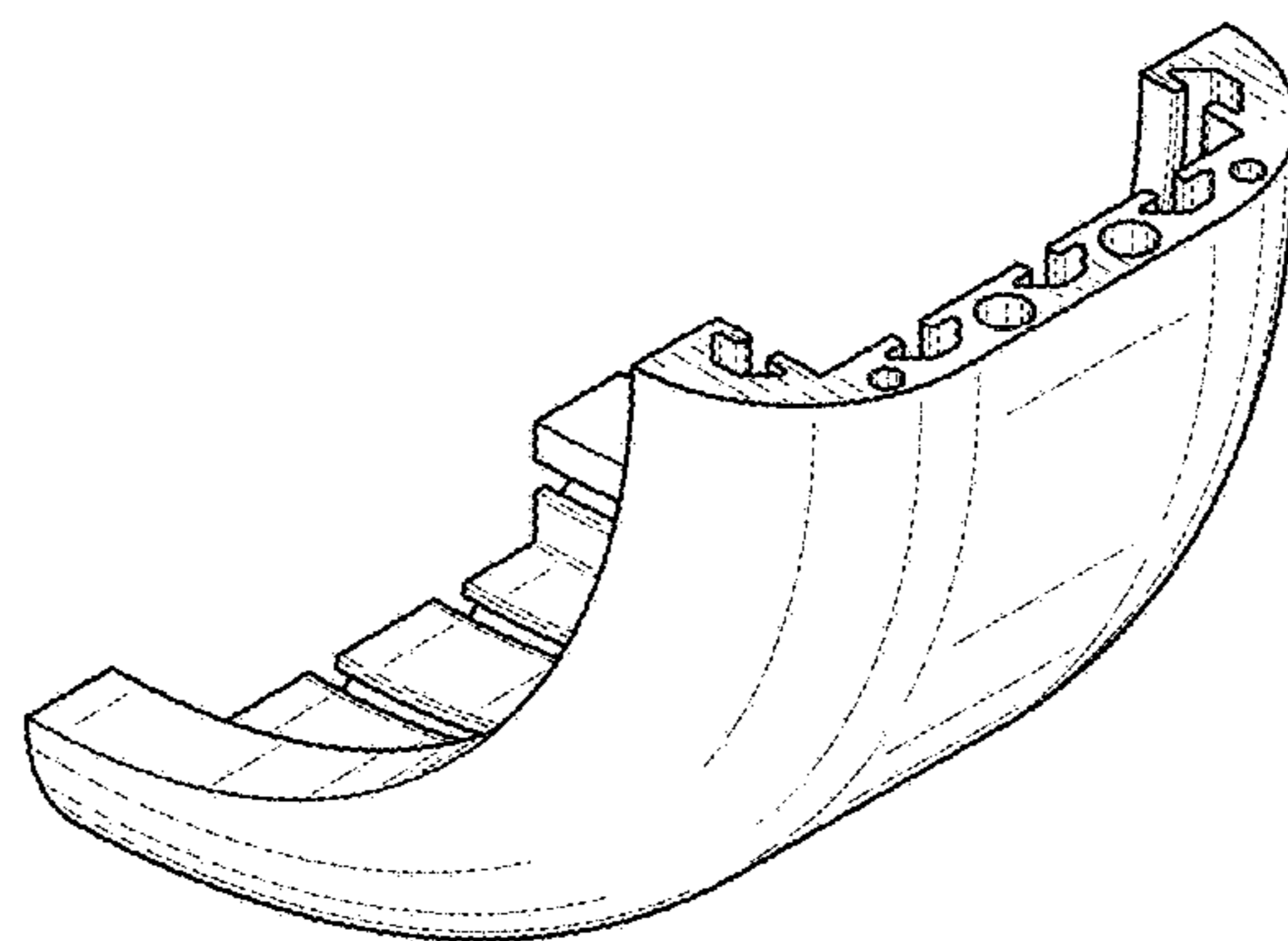


FIG. 5

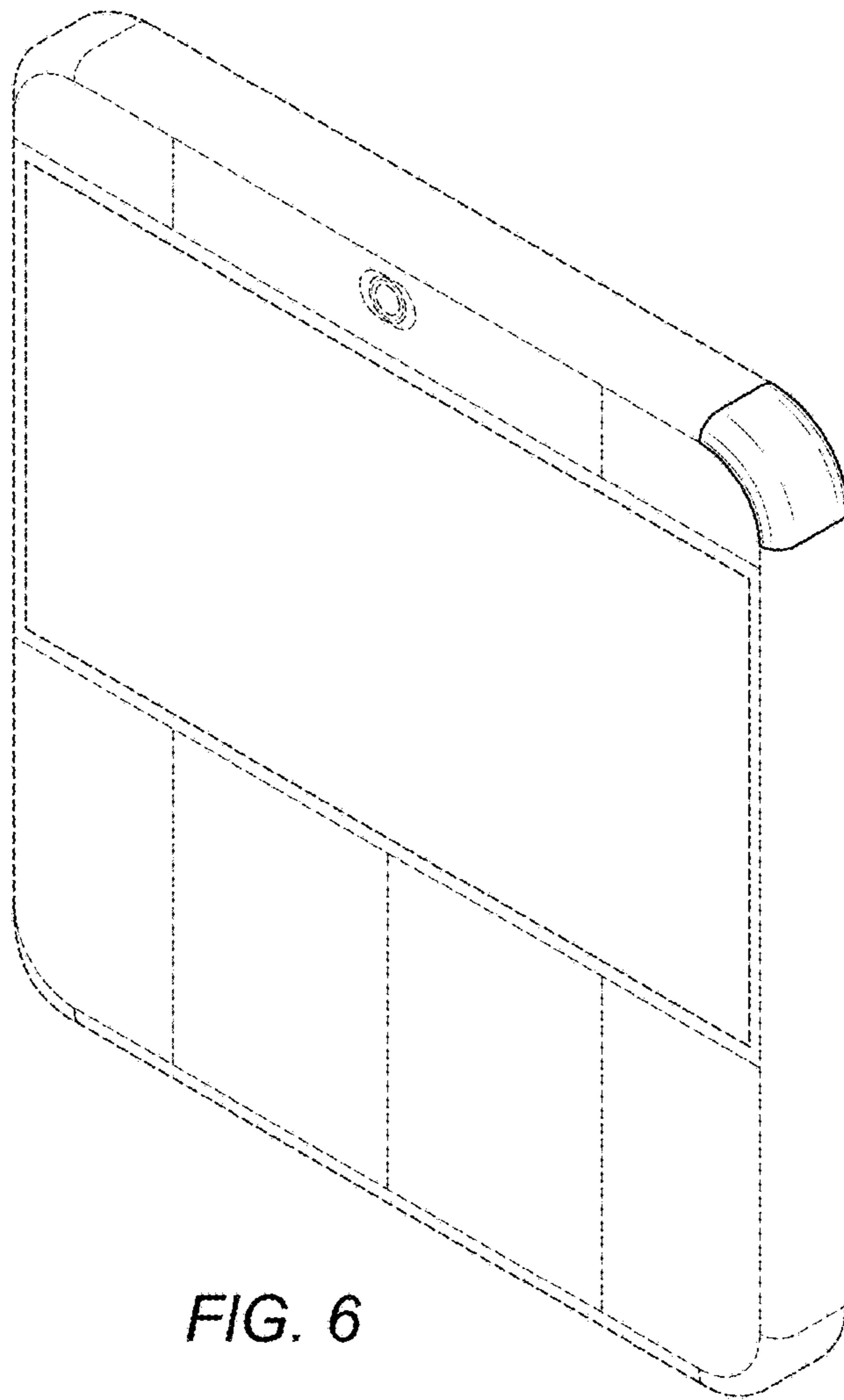


FIG. 6