



US00D839865S

(12) **United States Design Patent**
Entwistle

(10) **Patent No.:** **US D839,865 S**

(45) **Date of Patent:** **** Feb. 5, 2019**

(54) **FRAME MEMBER FOR A MOUNTING UNIT FOR AUDIOVISUAL DEVICES**

(71) Applicant: **URBEN TECHNOLOGIES LIMITED**, St Albans, Hertfordshire (GB)

(72) Inventor: **Mike Entwistle**, St Albans (GB)

(73) Assignee: **URBEN TECHNOLOGIES LIMITED**, St Albans, Hertfordshire (GB)

(**) Term: **15 Years**

(21) Appl. No.: **29/583,445**

(22) Filed: **Nov. 4, 2016**

(30) **Foreign Application Priority Data**

Oct. 12, 2016 (EM) 003416643-0001

(51) **LOC (11) Cl.** **14-03**

(52) **U.S. Cl.**
USPC **D14/251**

(58) **Field of Classification Search**
USPC D14/251, 240, 217, 447, 253, 496;
224/558; 248/205.3; D16/200, 244
CPC H04B 1/3888; H04M 1/0283; A45C 1/06;
H05K 5/0204
See application file for complete search history.

(56) **References Cited**

U.S. PATENT DOCUMENTS

D387,078 S * 12/1997 Akita D16/200
D426,564 S * 6/2000 Rose D16/130
D488,648 S 4/2004 Stanton
D489,828 S * 5/2004 Barnett D25/119
D538,318 S * 3/2007 Sprague D16/130
D542,820 S * 5/2007 Depay D16/202

D560,685 S 1/2008 Lopez
D603,827 S * 11/2009 Tompkin D14/138 AD
D609,727 S * 2/2010 Adolfsson D16/200
D610,178 S * 2/2010 Adolfsson D16/200
D641,389 S * 7/2011 Dastagir D16/219
D655,021 S * 2/2012 Oetlinger D25/119
D676,576 S 2/2013 Oetlinger
D684,203 S * 6/2013 Uemachi D16/200
D684,204 S * 6/2013 Uemachi D16/200
D710,025 S 7/2014 Johnson et al.
D710,921 S * 8/2014 Gioscia D16/200
D717,289 S * 11/2014 Takabatake D14/252
D720,607 S 1/2015 Kats

(Continued)

Primary Examiner — Cynthia R Underwood

(74) *Attorney, Agent, or Firm* — Craft Chu PLLC;
Andrew W. Chu

(57) **CLAIM**

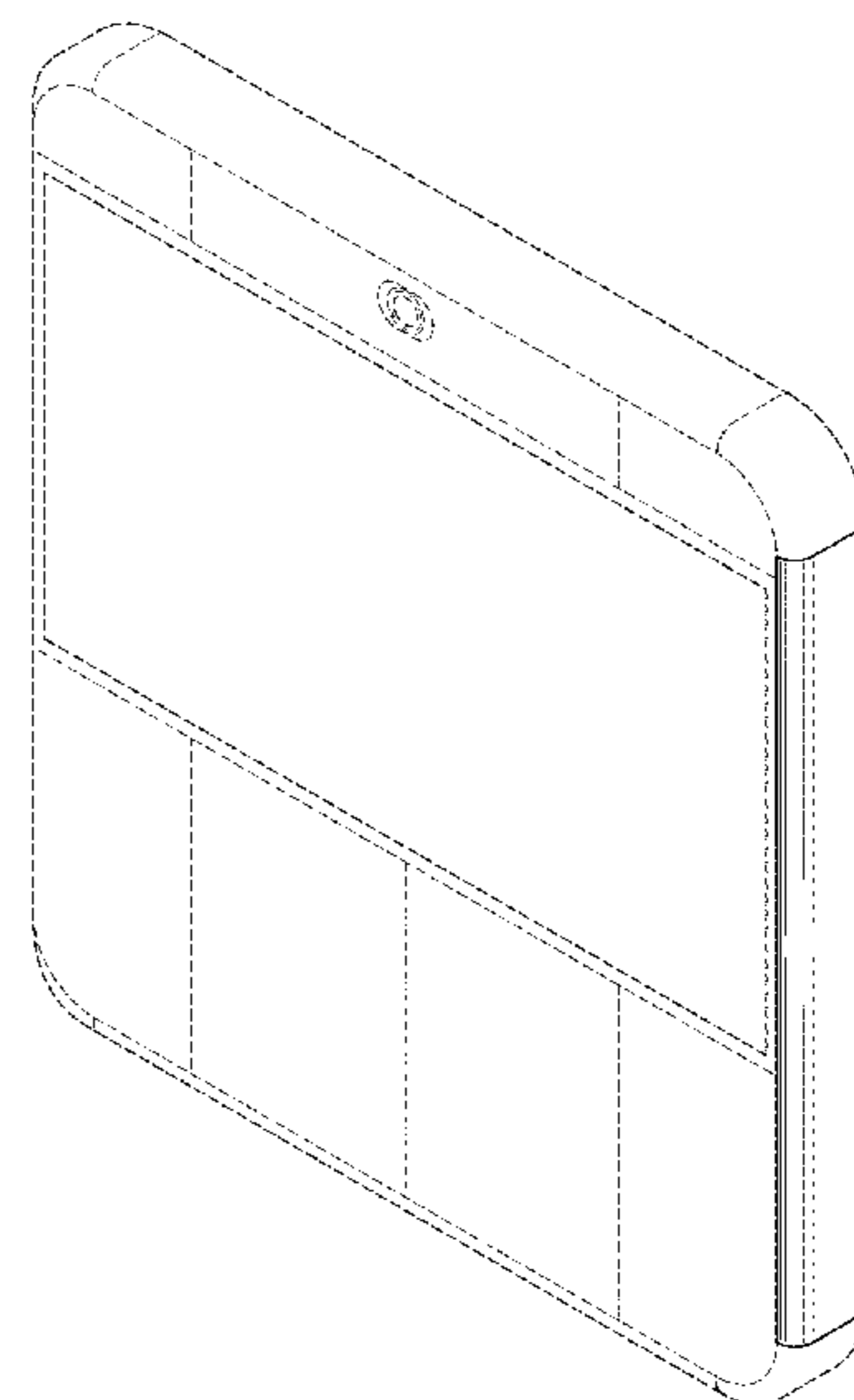
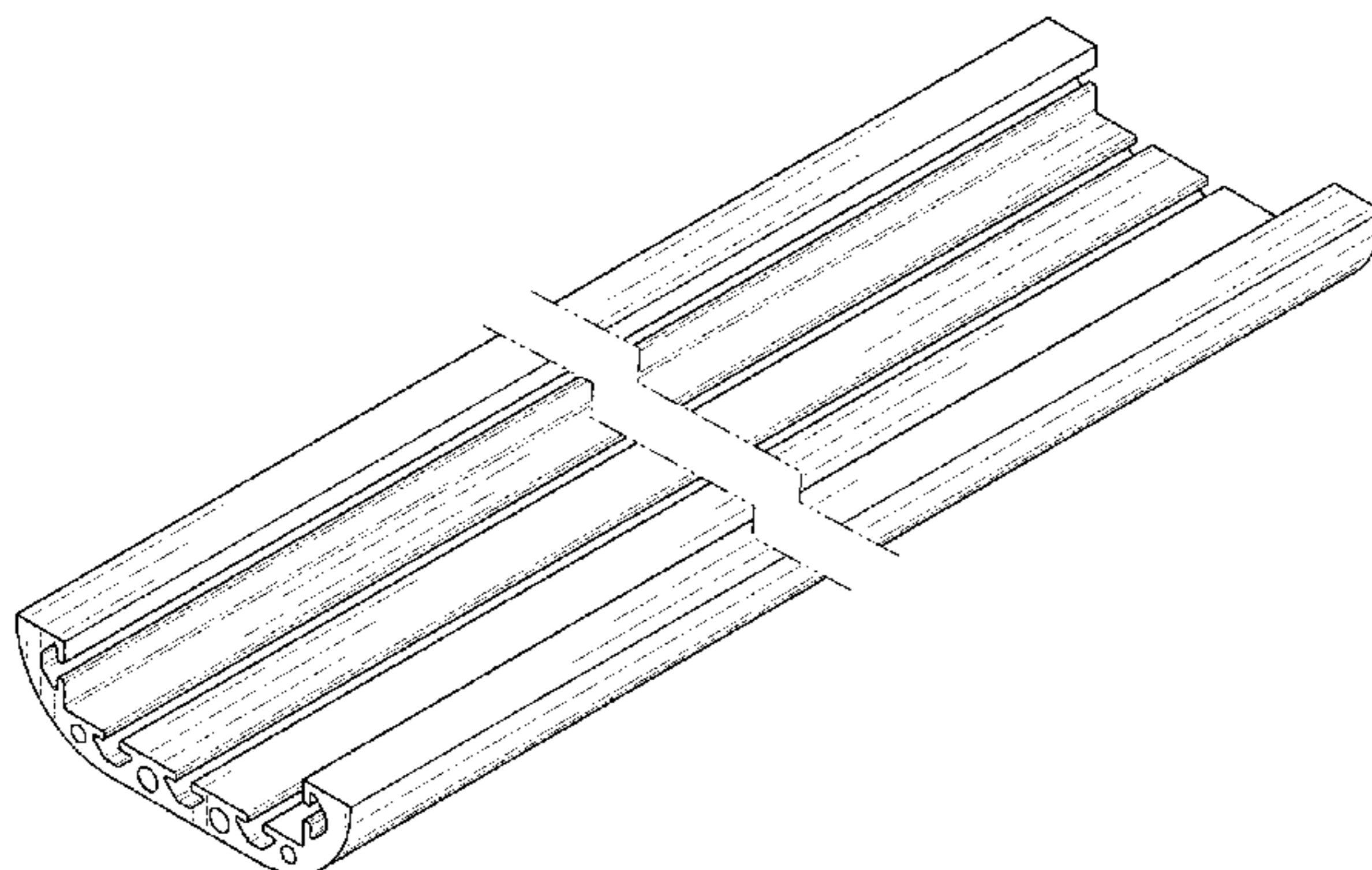
The ornamental design for a frame member for a mounting unit for audiovisual devices, as shown and described.

DESCRIPTION

FIG. 1 is an upper perspective view of the frame member for a mounting unit for audiovisual devices showing my design. FIG. 2 is an end elevation view thereof, an opposite end elevation view being a mirror image thereof; FIG. 3 is a top plan view thereof; FIG. 4 is a bottom plan view thereof; FIG. 5 is a side elevation view thereof, an opposite side elevation view being identical; and, FIG. 6 is a perspective view thereof, showing the frame member in a mounting unit and other frame members in broken lines.

The line break symbols indicate the appearance of any portion of the article between the line breaks forms no part of the claimed design. The broken lines in FIG. 6 indicate environment and form no part of the claimed design.

1 Claim, 3 Drawing Sheets



(56)

References Cited

U.S. PATENT DOCUMENTS

D722,043	S	*	2/2015	Requa	D13/108
D725,638	S		3/2015	Hofman et al.	
D730,880	S	*	6/2015	Nagata	D14/240
D733,788	S	*	7/2015	Baker	D16/237
D744,473	S	*	12/2015	Tsai	D14/251
D753,642	S	*	4/2016	Imuro	D14/253
D754,991	S		5/2016	Gosling et al.	
D755,994	S	*	5/2016	Oetlinger	D25/121
D759,012	S	*	6/2016	Golden	D10/50
D769,234	S	*	10/2016	Rami	D14/253
D769,346	S	*	10/2016	Nguyen	D16/218
D770,436	S	*	11/2016	Schwarz	D14/251
D770,437	S	*	11/2016	Schwarz	D14/140.8
D770,438	S	*	11/2016	Schwarz	D14/251
D788,094	S	*	5/2017	Kim	D14/250
D788,762	S	*	6/2017	Kim	D14/250
D789,999	S	*	6/2017	Yakabe	D16/200
D798,339	S	*	9/2017	Yang	D14/203.1
D805,569	S	*	12/2017	Daugela	D16/200
D816,070	S	*	4/2018	Marzynski	D14/240
D816,140	S	*	4/2018	Ranetkins	D16/200
D816,656	S	*	5/2018	Kim	D14/253
2008/0088941	A1	*	4/2008	Jiang	G02B 13/08 359/668

* cited by examiner

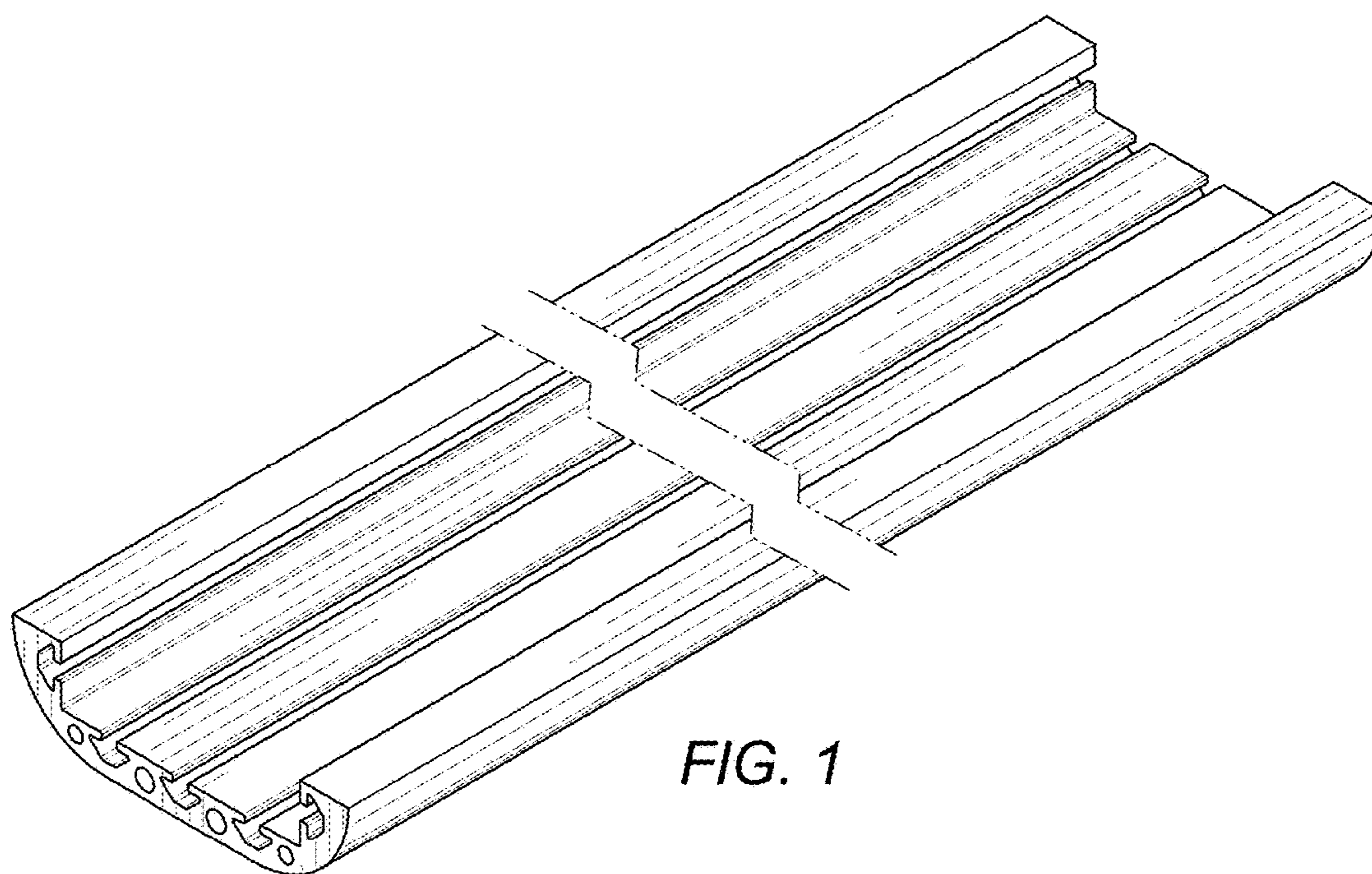


FIG. 1

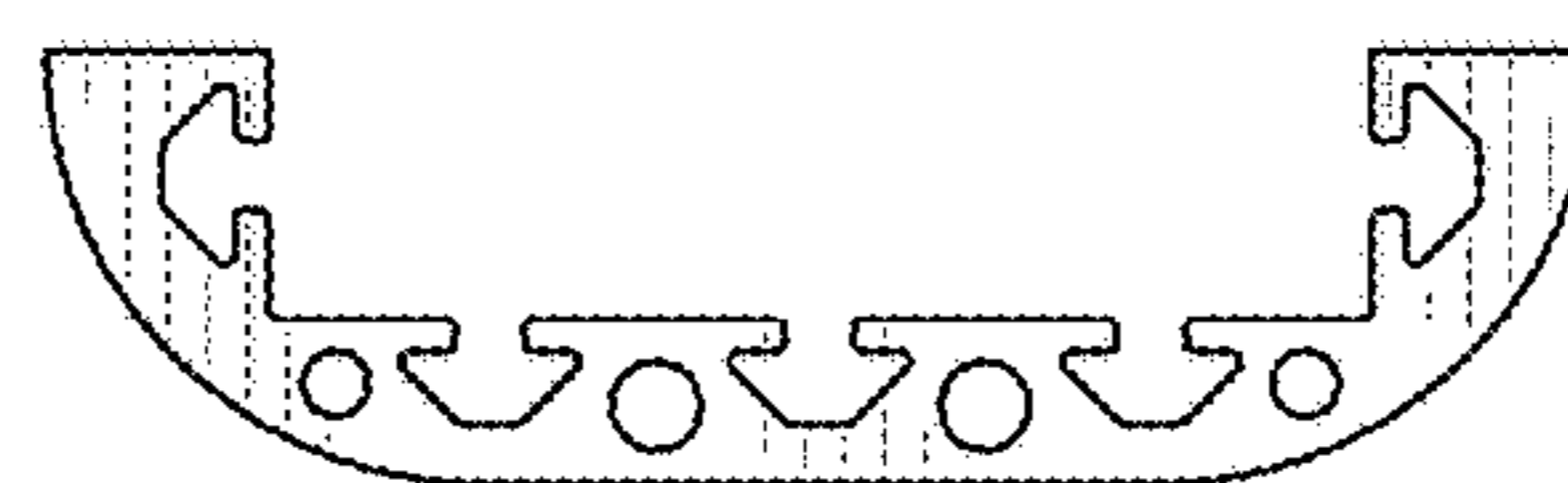


FIG. 2

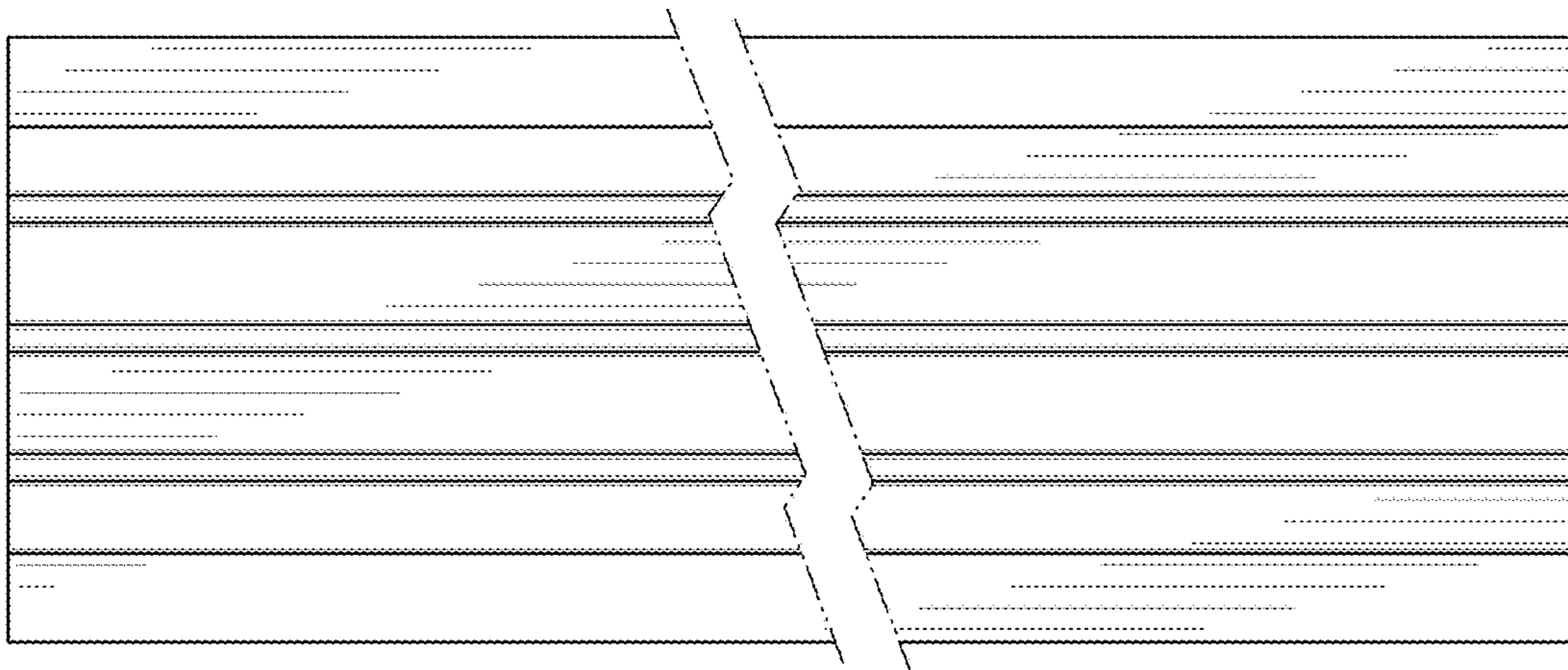


FIG. 3

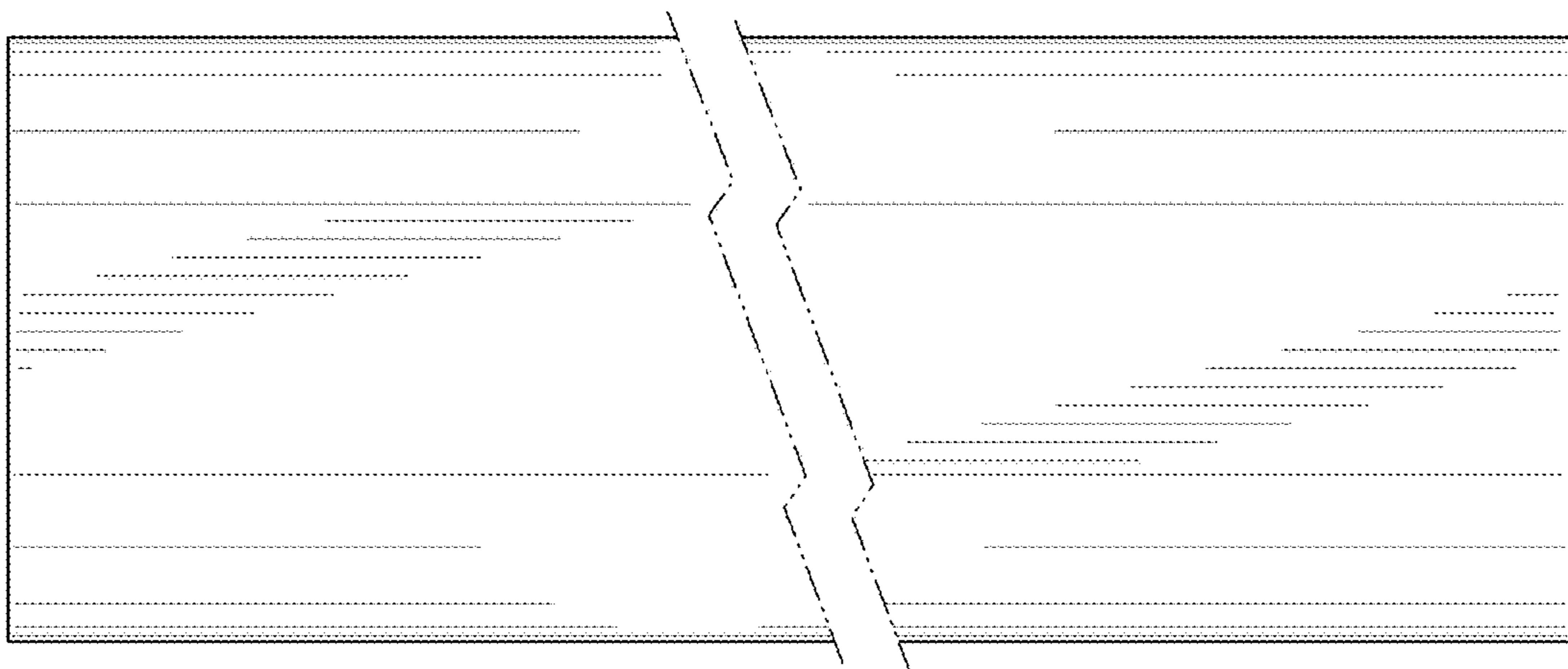


FIG. 4

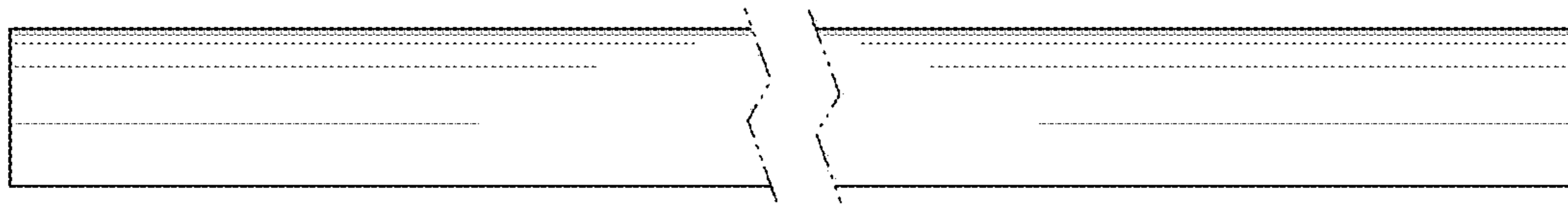


FIG. 5

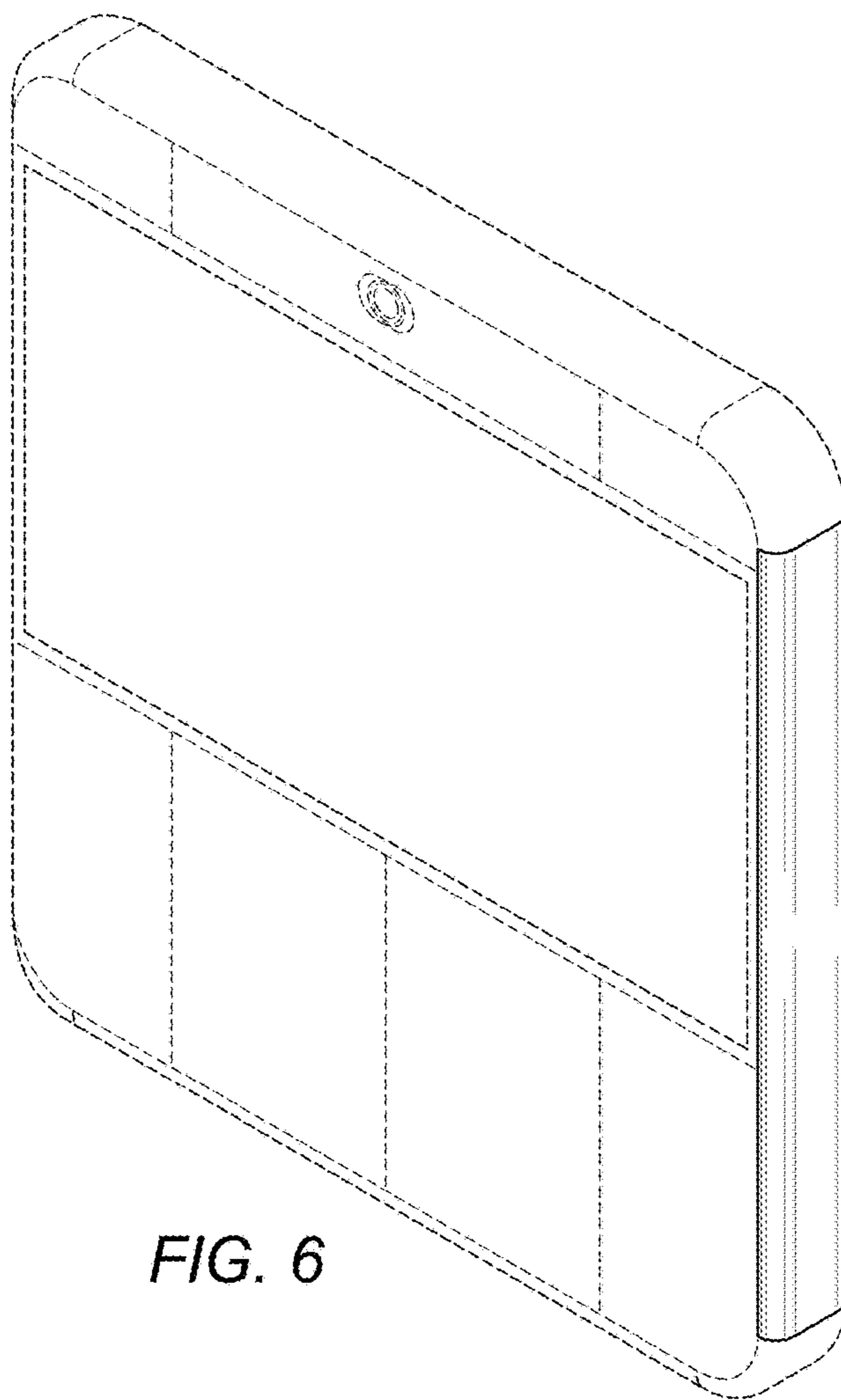


FIG. 6