



US00D839863S

(12) **United States Design Patent**  
**Ahn**

(10) **Patent No.:** **US D839,863 S**  
(45) **Date of Patent:** **\*\* Feb. 5, 2019**

(54) **CASE FOR ELECTRONIC COMMUNICATIONS DEVICE**

(71) Applicant: **SPIGEN KOREA CO., LTD.**, Seoul (KR)

(72) Inventor: **Deok Hyun Ahn**, Seoul (KR)

(73) Assignee: **SPIGEN KOREA CO., LTD.**, Seoul (KR)

(\*\*) Term: **15 Years**

(21) Appl. No.: **29/625,646**

(22) Filed: **Nov. 10, 2017**

(51) **LOC (11) Cl.** ..... **14-03**

(52) **U.S. Cl.**  
USPC ..... **D14/250**

(58) **Field of Classification Search**  
USPC ..... D14/248, 439, 203.3–203.7, 447, 238.1, D14/440, 251–253, 217, 240, 250;  
(Continued)

(56) **References Cited**

U.S. PATENT DOCUMENTS

D577,904 S 10/2008 Sasaki  
D633,089 S 2/2011 Hsu

(Continued)

*Primary Examiner* — Carla J Wright

(74) *Attorney, Agent, or Firm* — Heedong Chae; Lucem, PC

(57) **CLAIM**

The ornamental design for a case for electronic communications device, as shown and described.

**DESCRIPTION**

FIG. 1 is a front perspective view of a case for electronic communications device showing my new design;

FIG. 2 is a rear perspective view thereof;  
FIG. 3 is a front elevational view thereof;  
FIG. 4 is a rear elevational view thereof;  
FIG. 5 is a left side elevational view thereof;  
FIG. 6 is a right side elevational view thereof;  
FIG. 7 is a top plan view thereof;  
FIG. 8 is a bottom plan view thereof;  
FIG. 9 is a front perspective view showing the inner front cover component of the case in isolation;  
FIG. 10 is a rear perspective view showing the inner front cover component of the case in isolation;  
FIG. 11 is a front perspective view showing the inner rear cover component of the case in isolation;  
FIG. 12 is a rear perspective view showing the inner rear cover component of the case in isolation;  
FIG. 13 is a front perspective view showing the outer shell component of the case in isolation;  
FIG. 14 is a rear perspective view showing the outer shell component of the case in isolation;  
FIG. 15 is an exploded front perspective view showing the components of the case separated; and,  
FIG. 16 is an exploded rear perspective view showing the components of the case separated.

For clarity of disclosure, the components of the case are shown in isolation in FIGS. 9-14 and separated in FIGS. 15-16. Although the case for electronic communications device, in which the claimed design is embodied, consists of an inner front cover component, an inner rear cover component, and an outer shell component, the claim is directed to the overall ornamental appearance of the case for electronic communications device in its entirety and does not extend to the ornamental appearance of each of the individual components.

The broken lines throughout the drawing figures depict portions of the case for electronic communications device that form no part of the claimed design. The interior of the case shown in FIGS. 1, 3, 11, 13, and 15, the broken lines throughout the drawing figures, and the regions bounded by broken lines form no part of the claimed design.

**1 Claim, 16 Drawing Sheets**

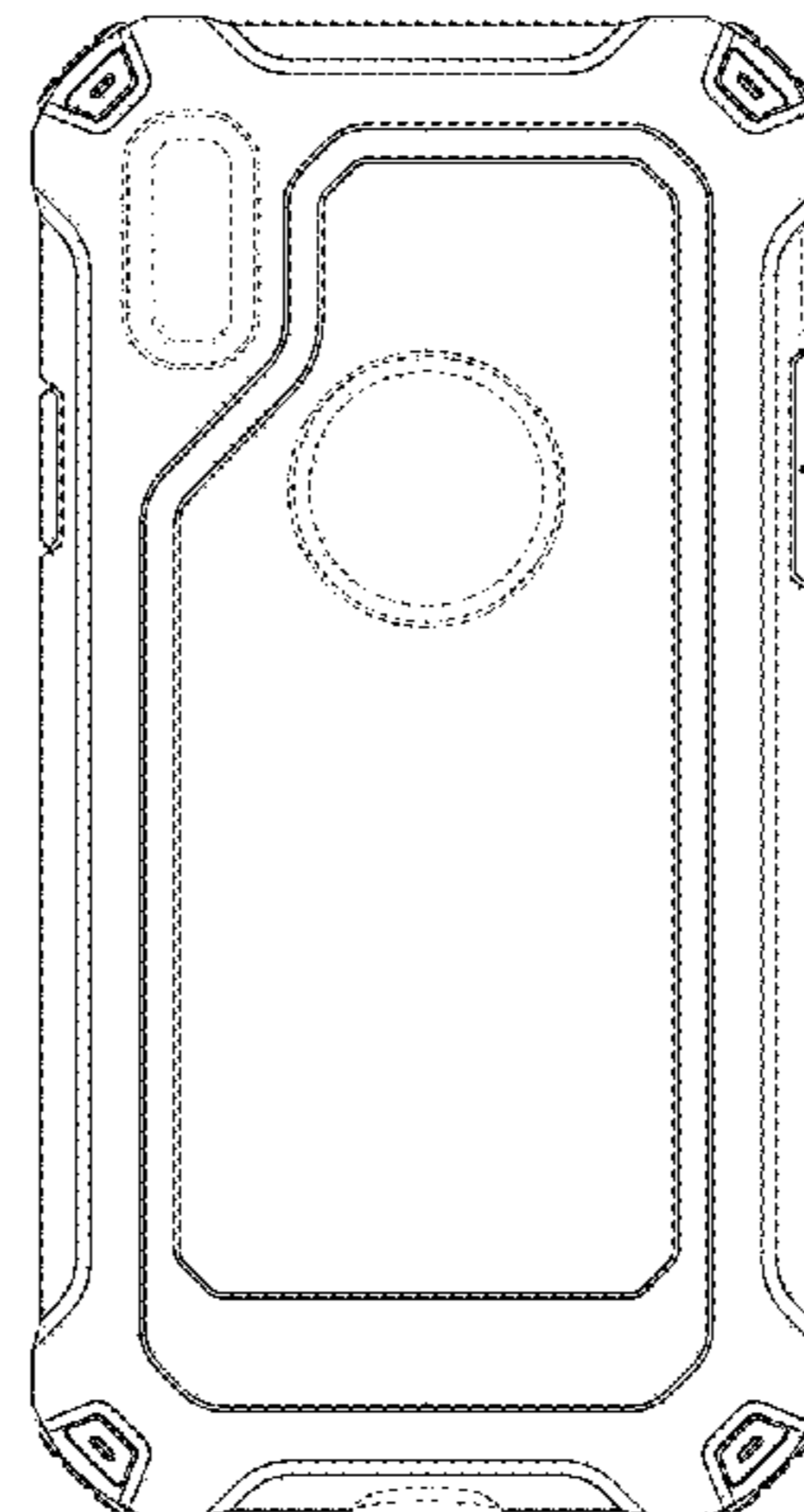
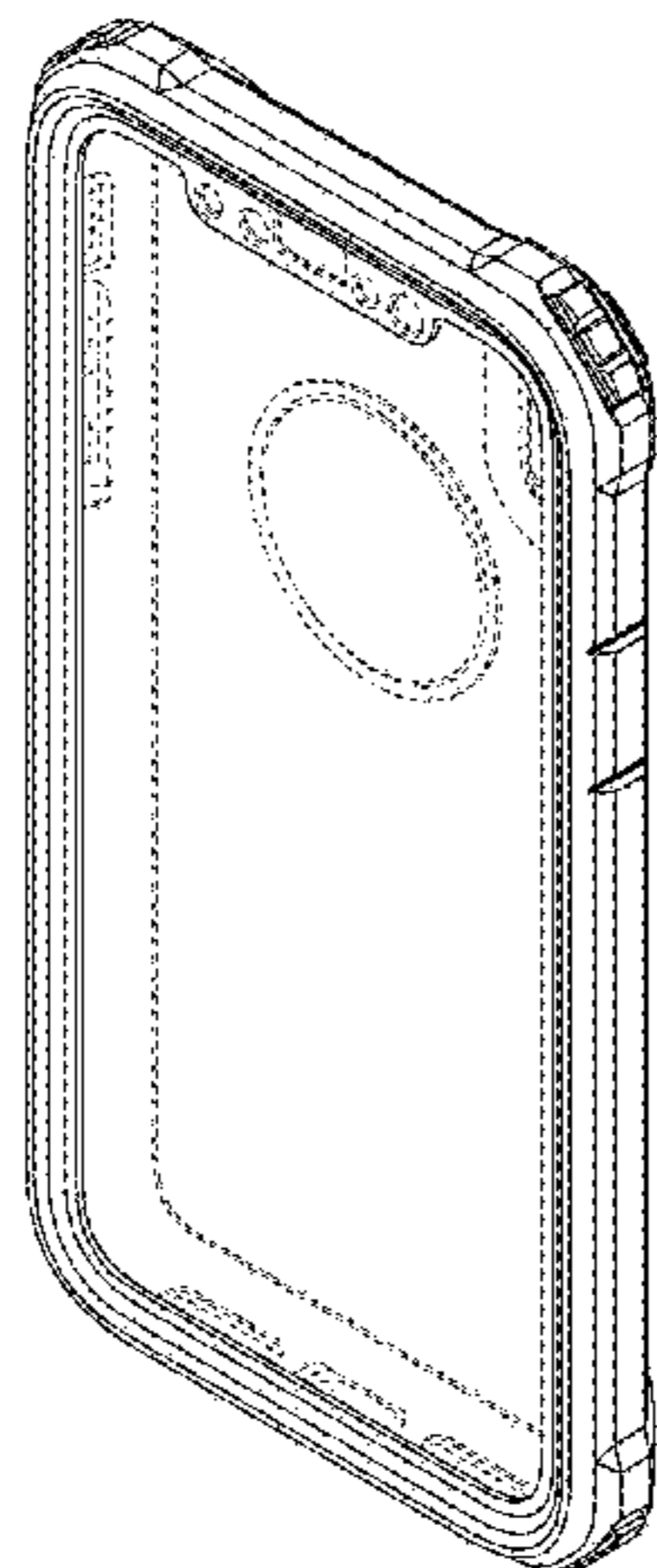




FIG. 1

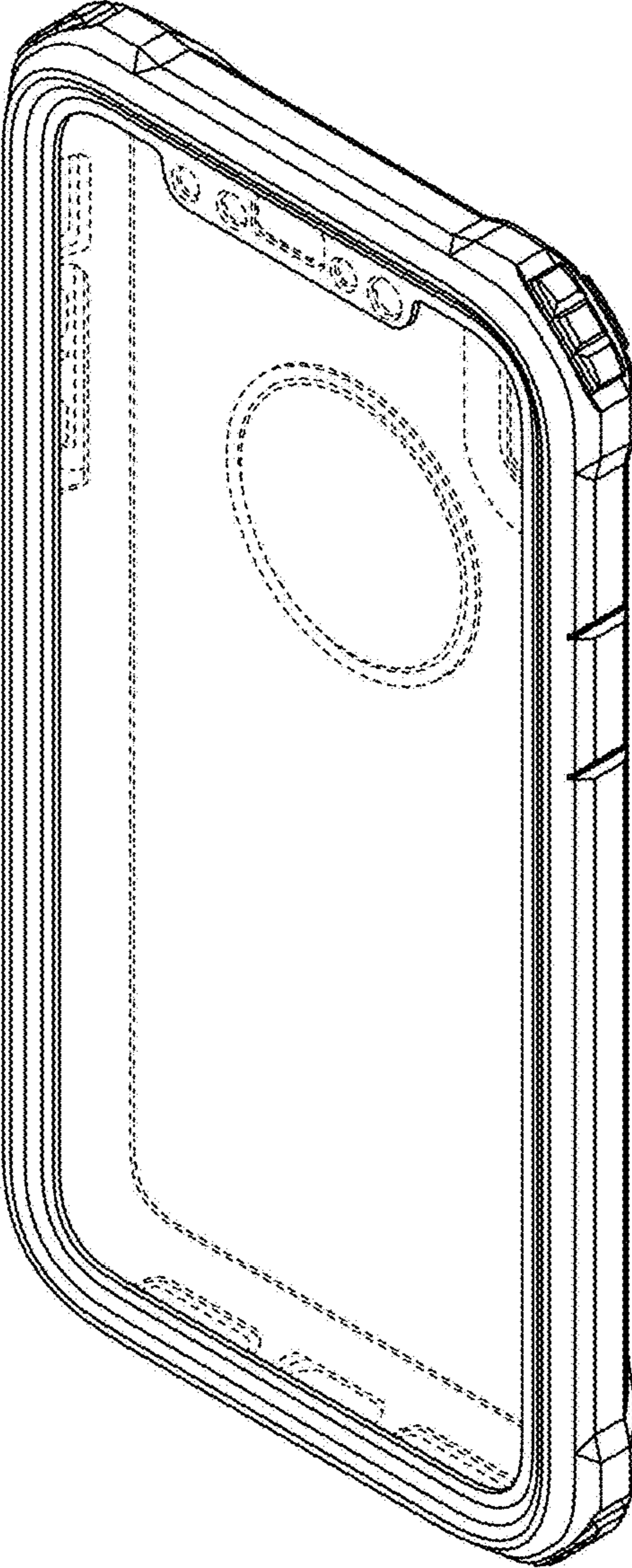


FIG. 2

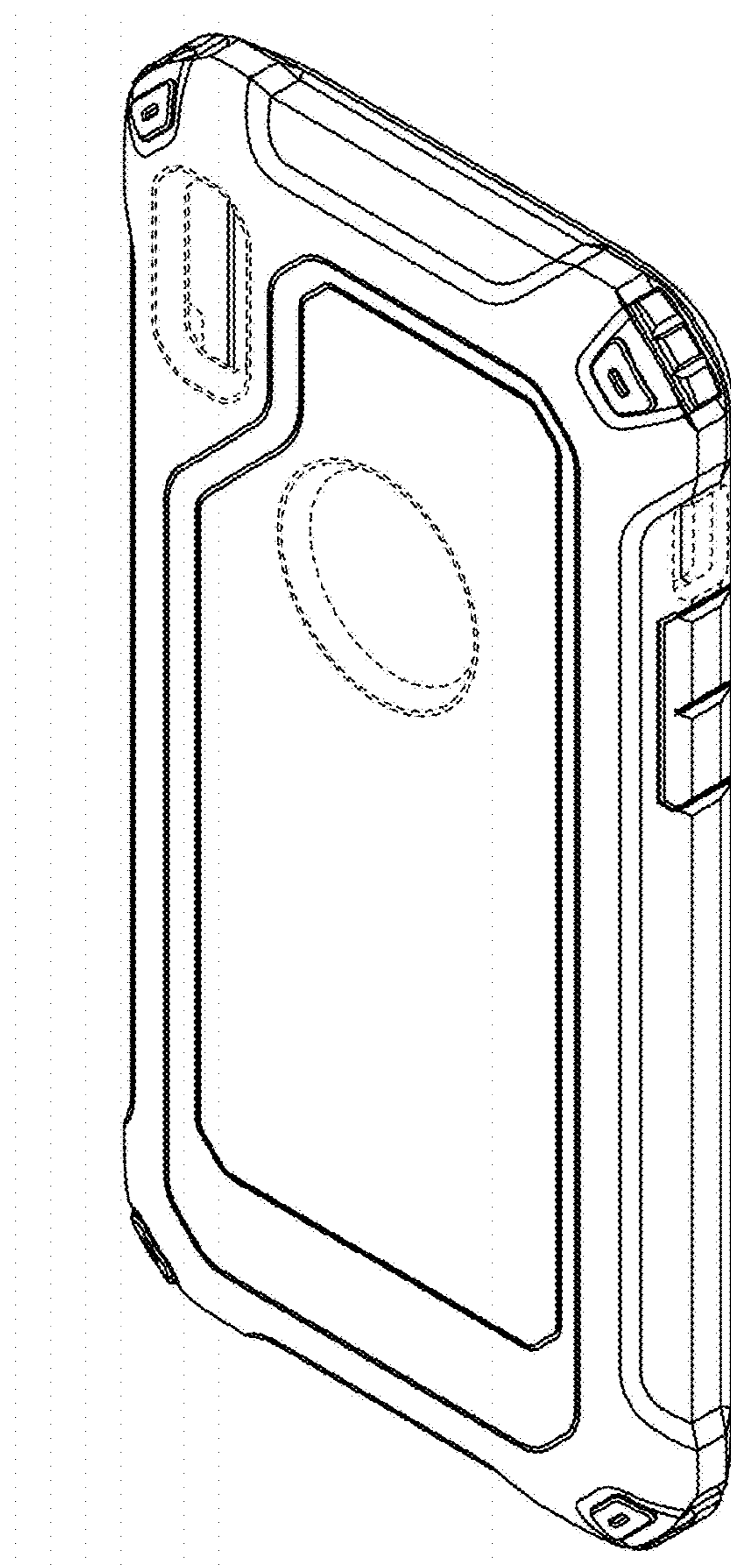


FIG. 3

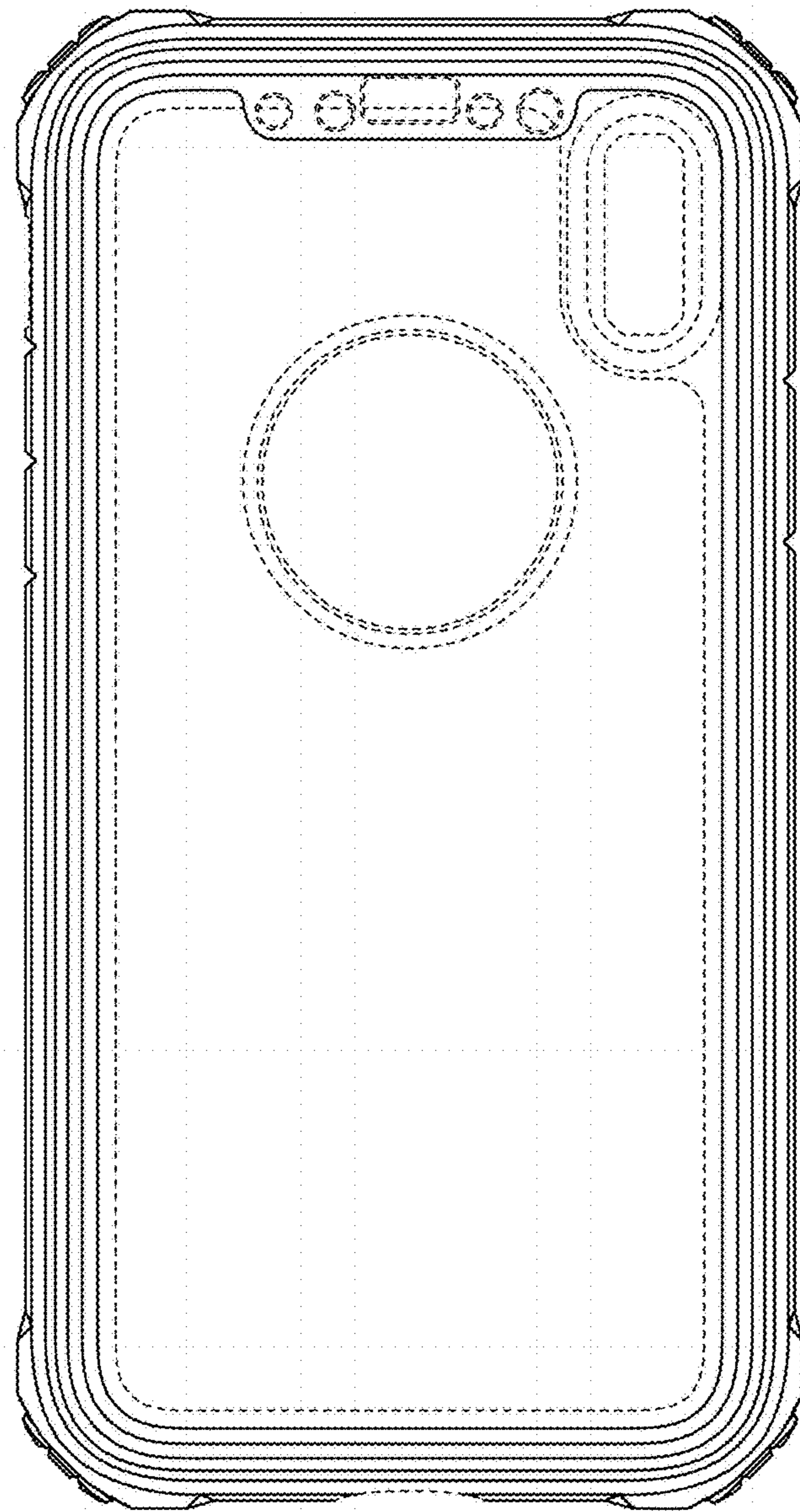


FIG. 4

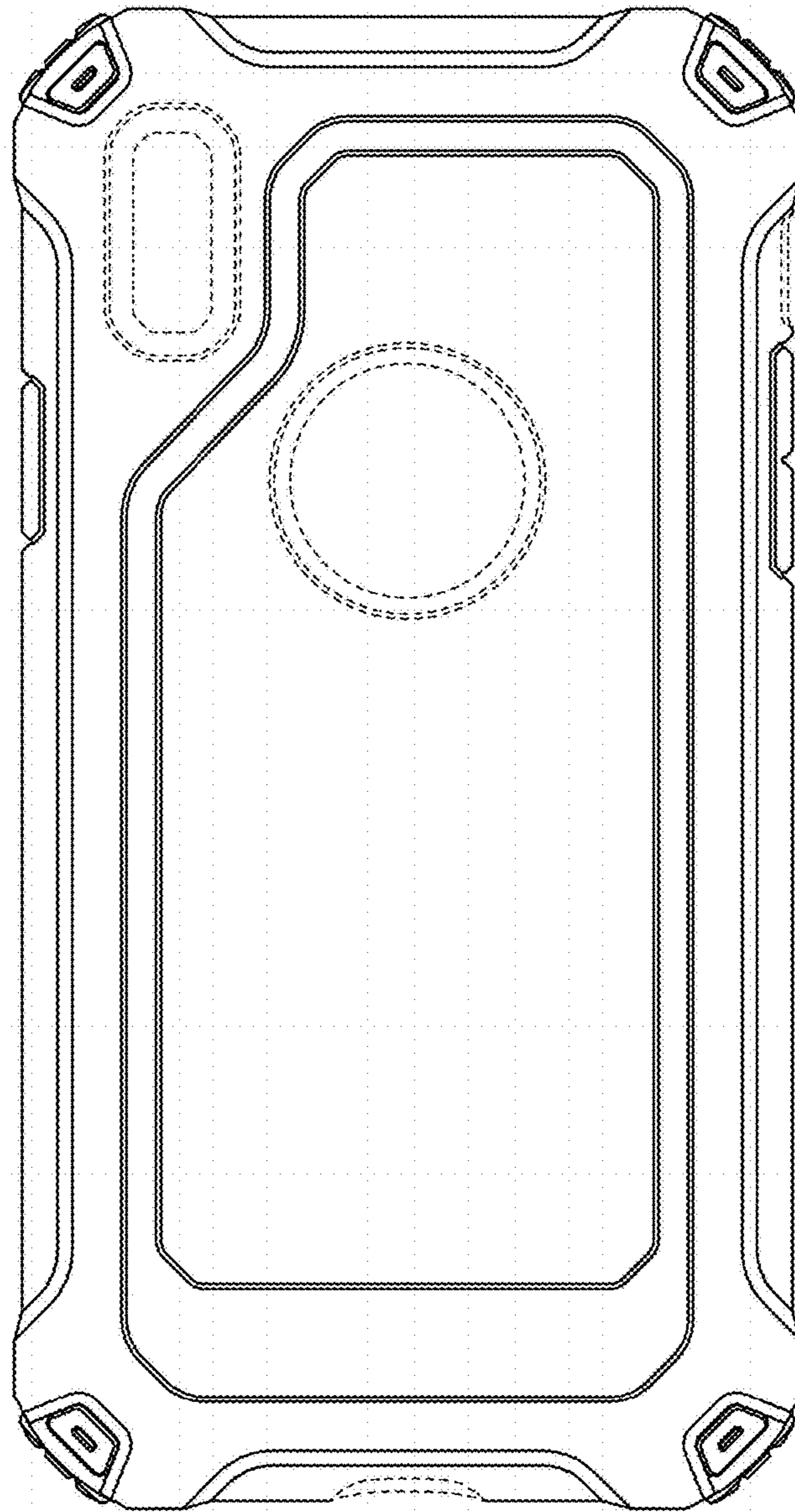


FIG. 5

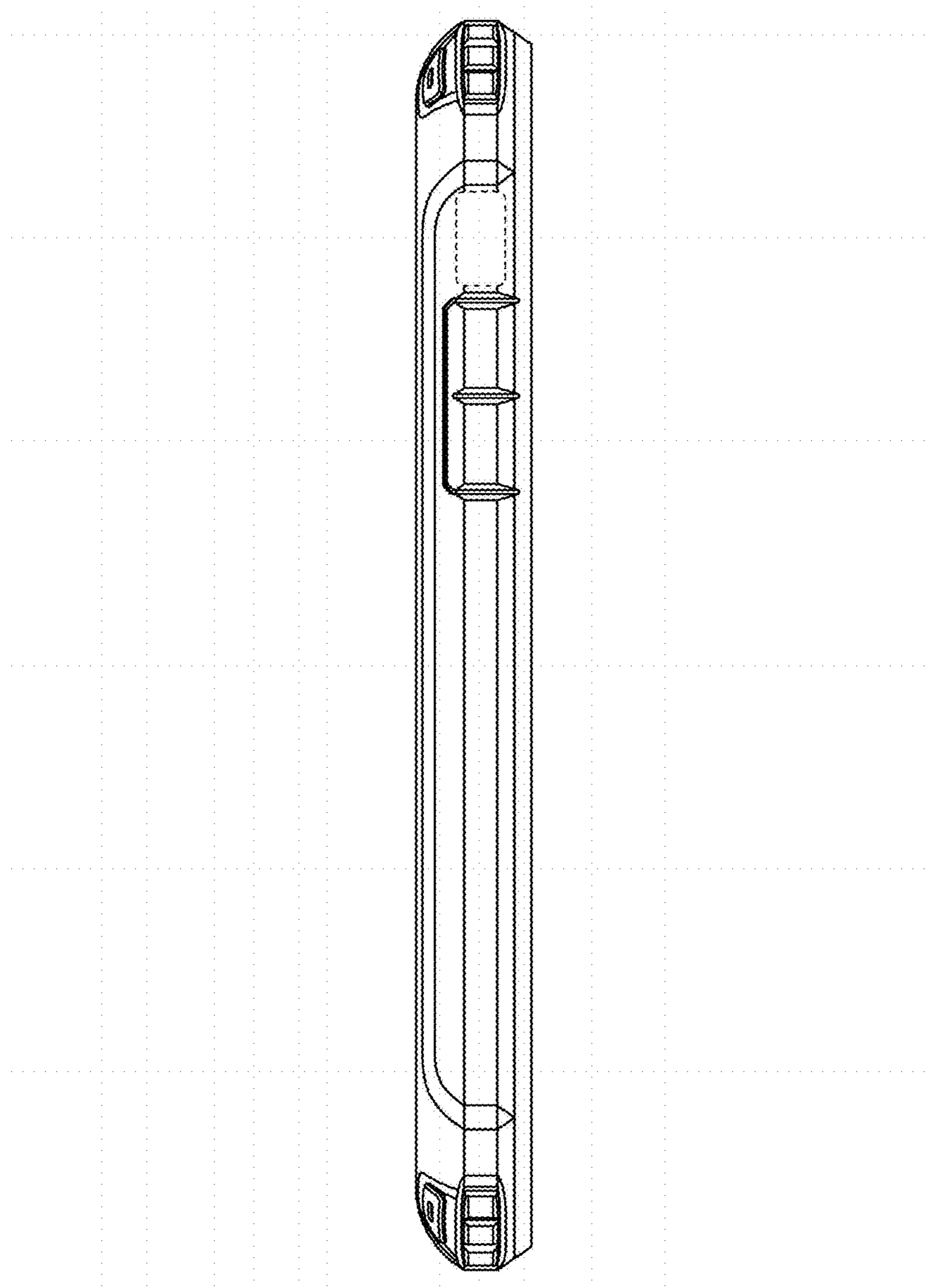


FIG. 6

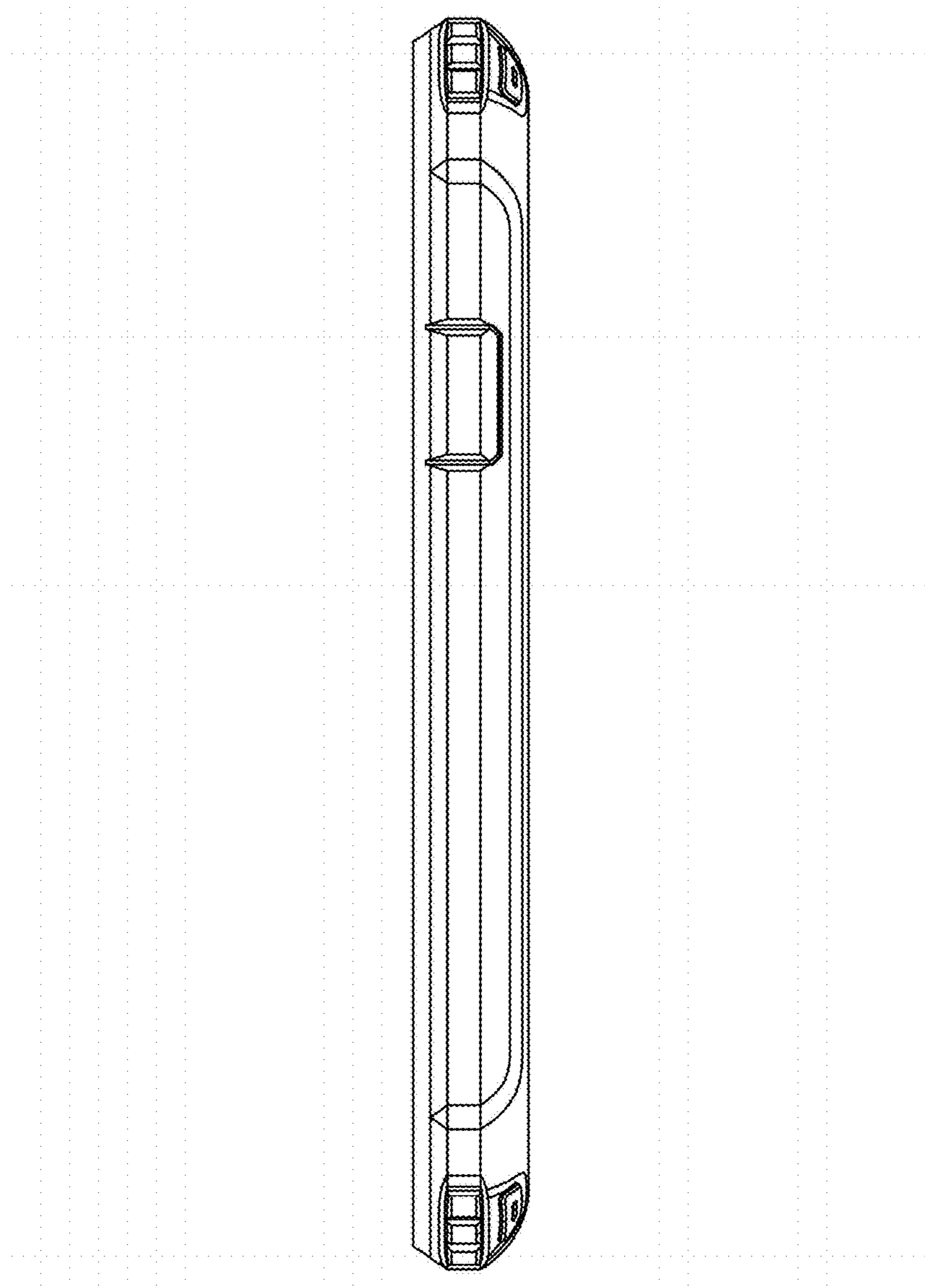




FIG. 7

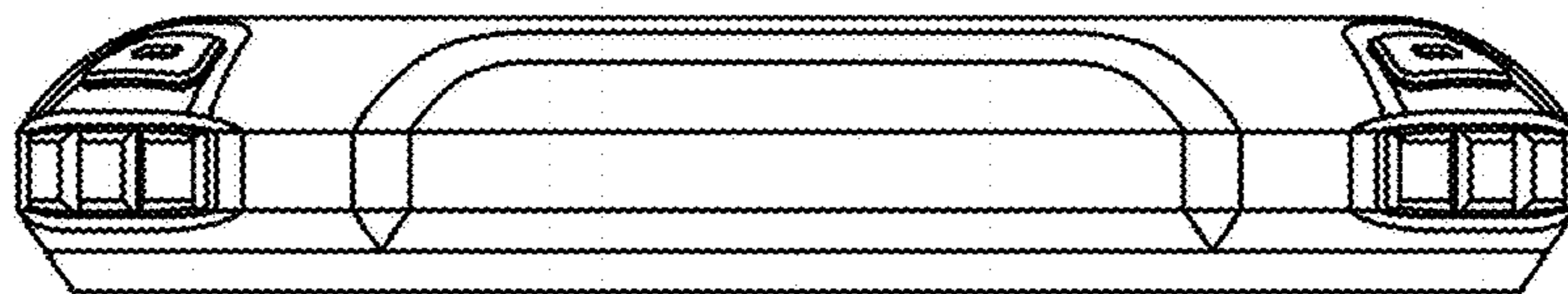


FIG. 8

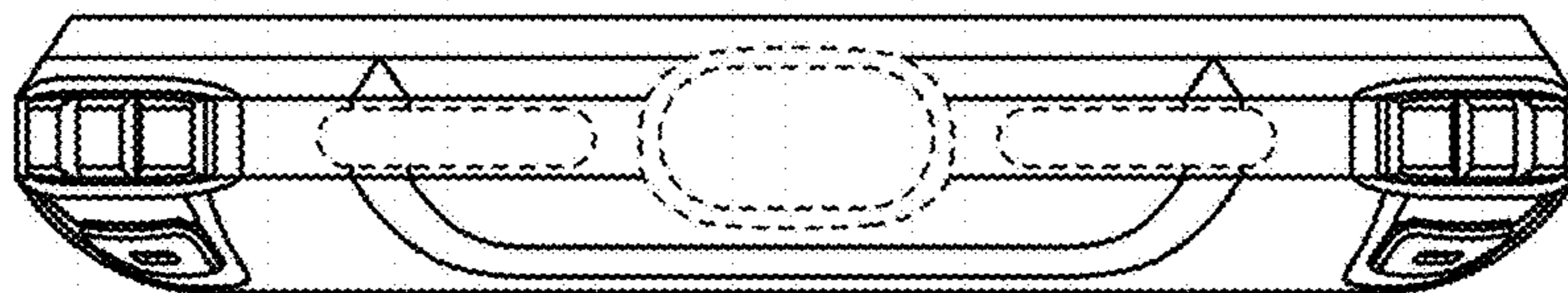


FIG. 9

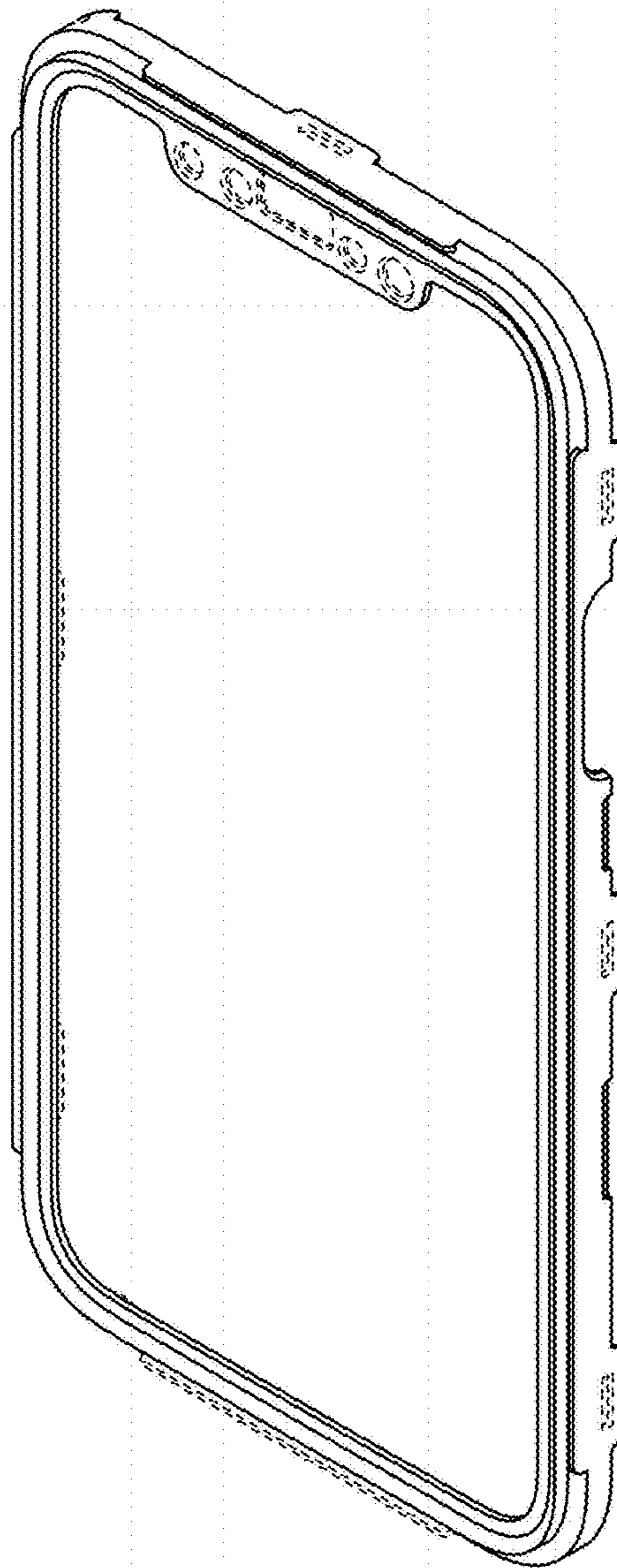


FIG. 10

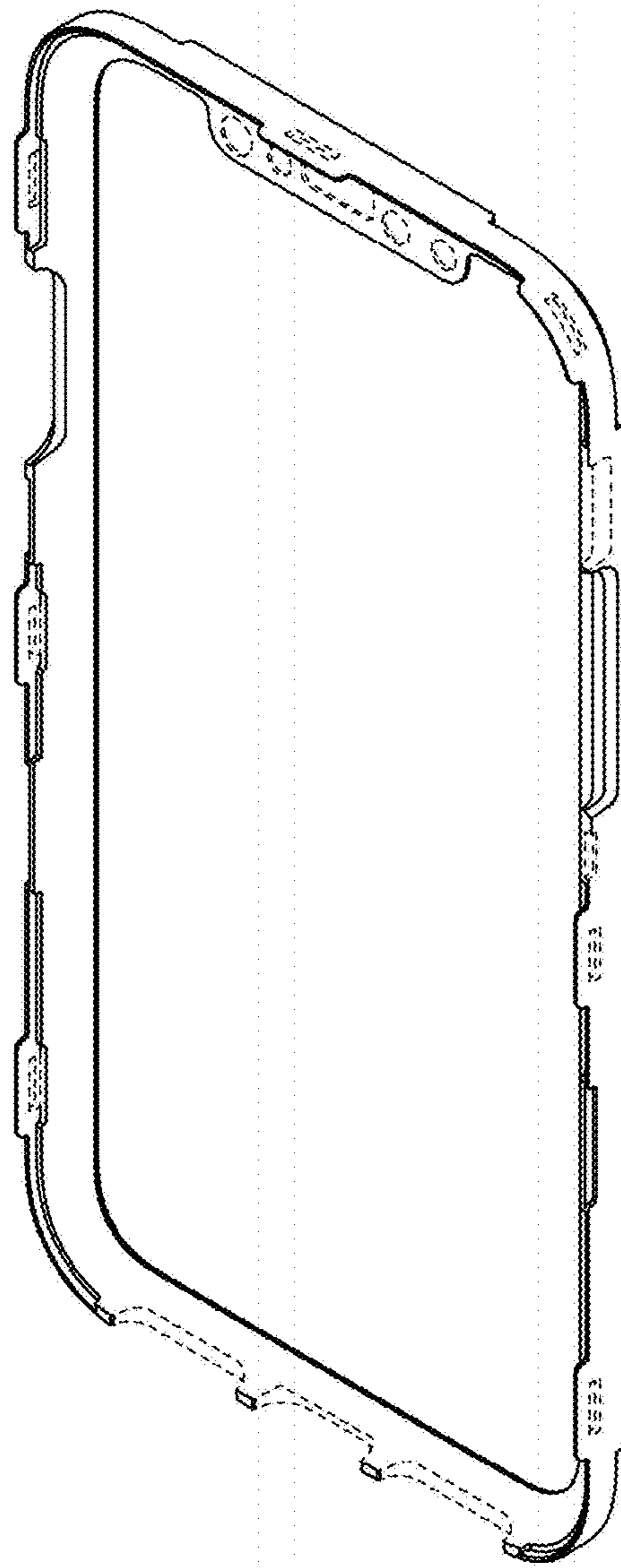


FIG. 11

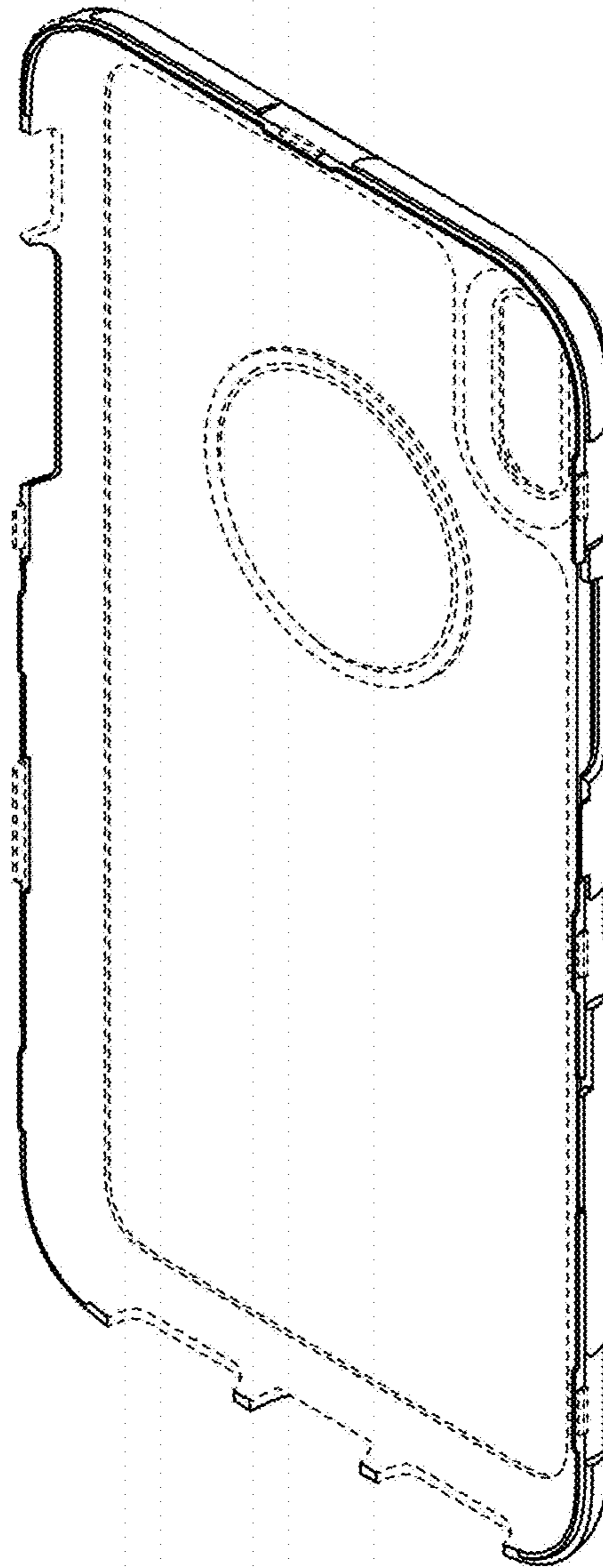


FIG. 12

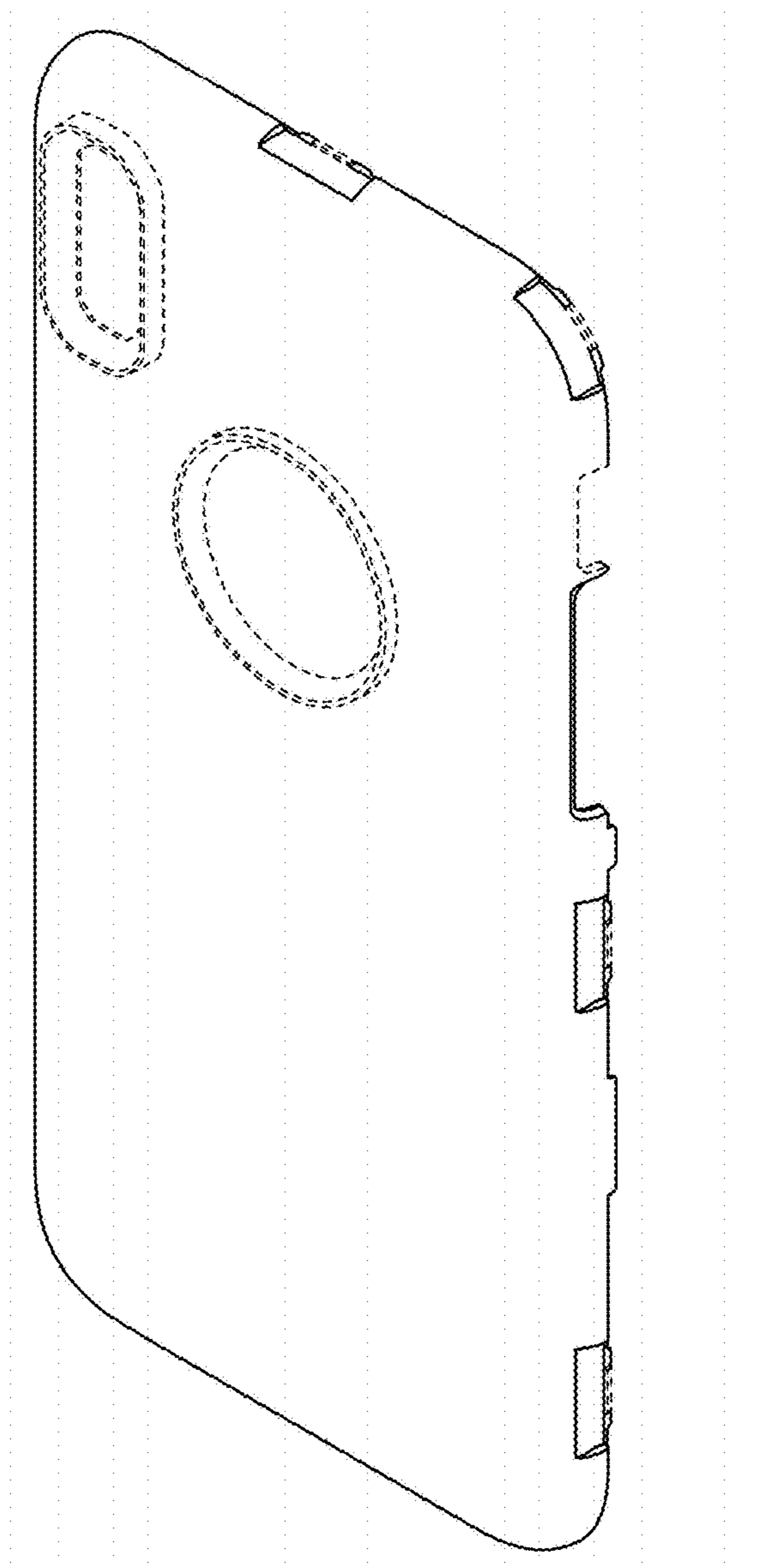


FIG. 13

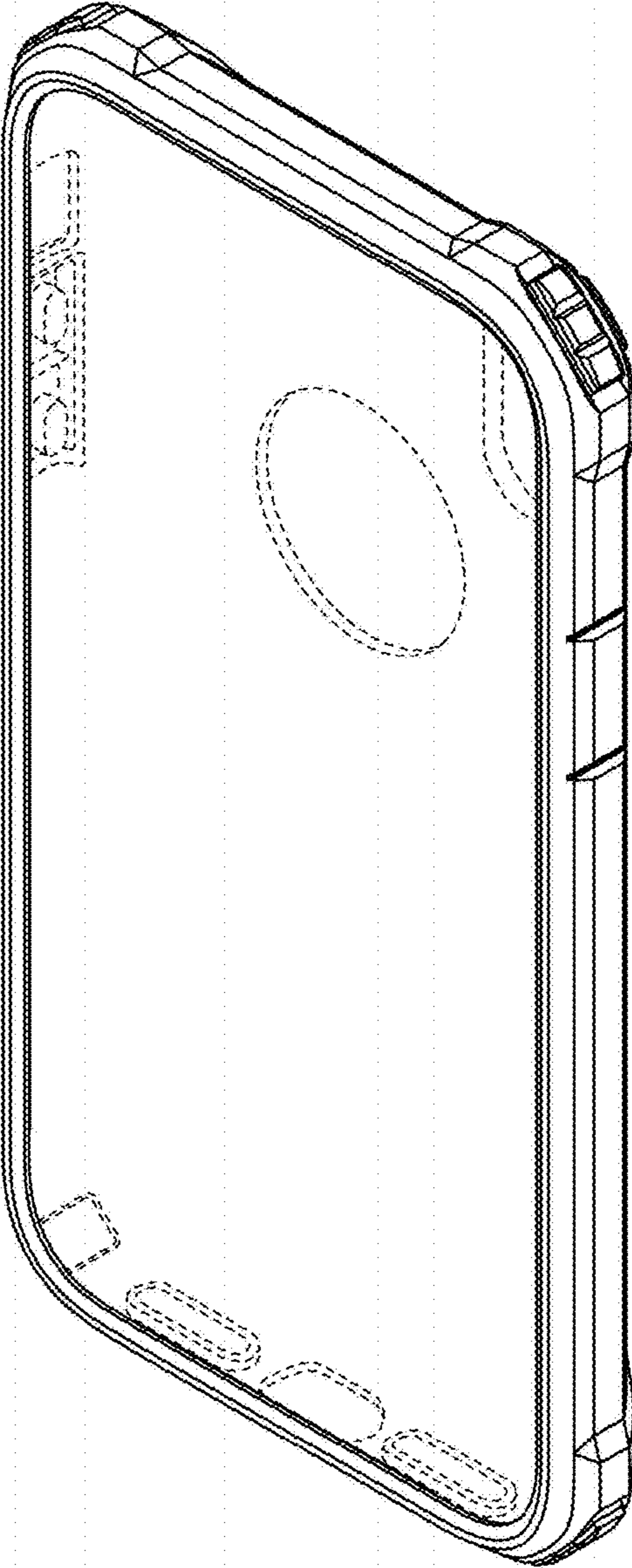


FIG. 14

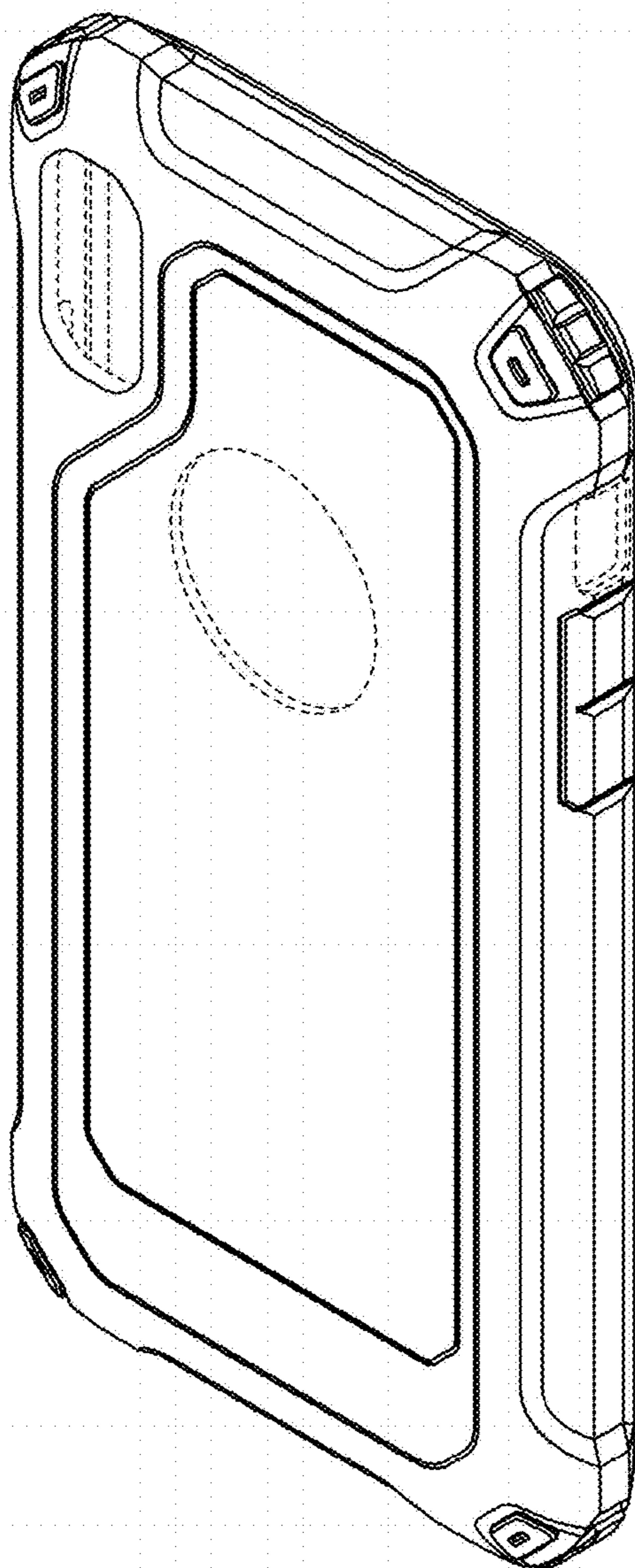




FIG. 15

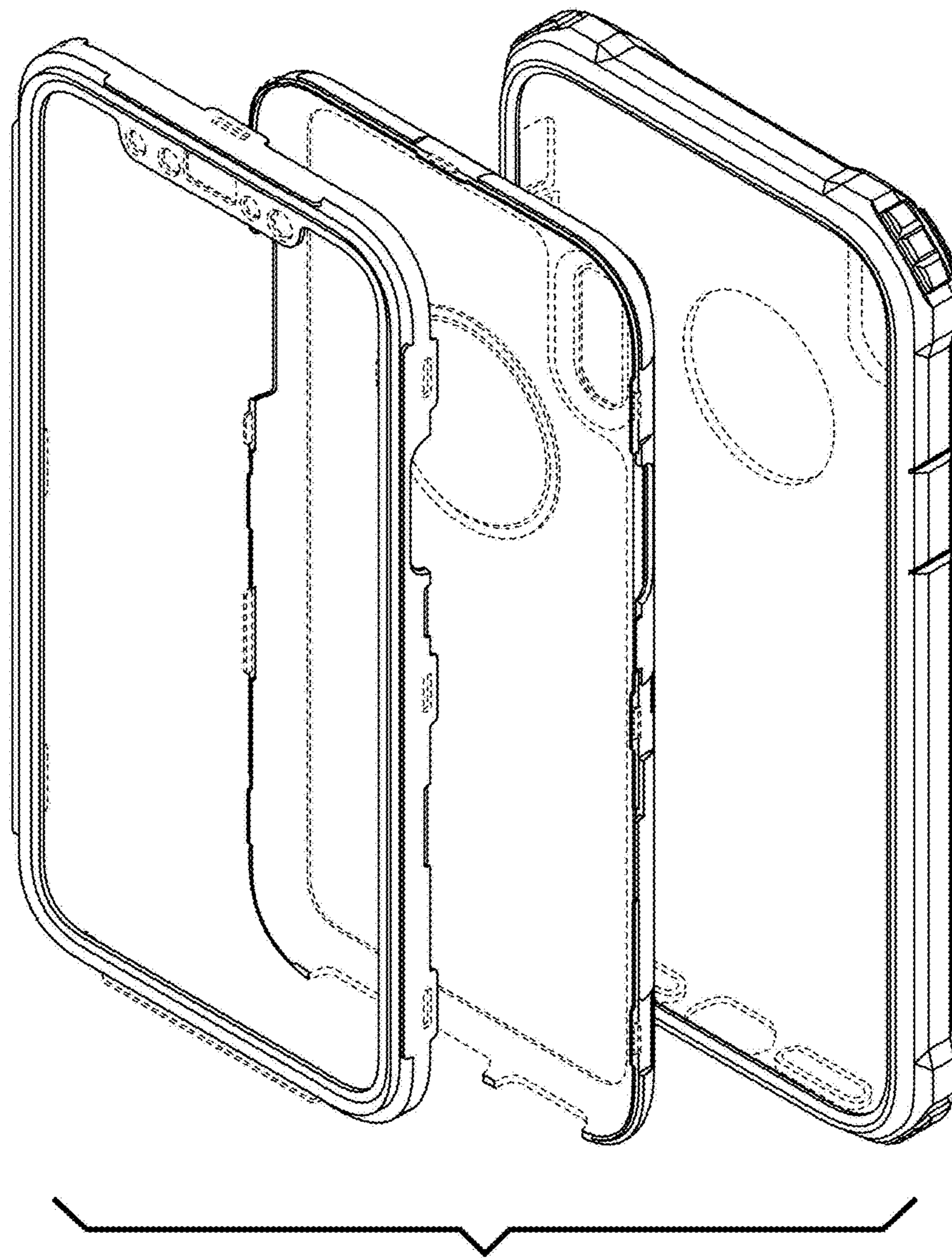


FIG. 16

