



US00D839856S

(12) **United States Design Patent** (10) **Patent No.:** **US D839,856 S**  
**Chen** (45) **Date of Patent:** **\*\* Feb. 5, 2019**

(54) **COMPUTER MICROPHONE**  
 (71) Applicant: **Ching-Wen Chen**, Taipei (TW)  
 (72) Inventor: **Ching-Wen Chen**, Taipei (TW)  
 (\*\*) Term: **15 Years**  
 (21) Appl. No.: **29/616,196**  
 (22) Filed: **Sep. 4, 2017**  
 (51) **LOC (11) Cl.** ..... **14-01**  
 (52) **U.S. Cl.**  
 USPC ..... **D14/228**  
 (58) **Field of Classification Search**  
 USPC ..... D14/224-229; D16/244; D17/99;  
 D6/681; 248/125.1, 166, 185.1;  
 381/355, 359, 361-363, 365, 366, 369,  
 381/375; 379/428.01, 428.04, 431,  
 379/433.03  
 CPC . H04R 25/00; H04R 1/02; H04R 5/02; H04R  
 9/08; F16M 11/38; F16M 13/00; F16M  
 11/00  
 See application file for complete search history.

(56) **References Cited**  
 U.S. PATENT DOCUMENTS  
 2,188,150 A \* 1/1940 Malat ..... H04M 1/15  
 248/185.1  
 D233,669 S \* 11/1974 Price ..... D14/228  
 6,219,429 B1 \* 4/2001 Chung ..... H04R 1/08  
 248/324  
 D441,354 S \* 5/2001 Jing ..... D14/228  
 D448,364 S \* 9/2001 Chung ..... D14/228  
 D457,876 S \* 5/2002 Chung ..... D14/228

6,459,801 B1 \* 10/2002 Ming-Cheng ..... H04R 1/08  
 381/363  
 D475,038 S \* 5/2003 Jarodsky ..... D14/228  
 D529,484 S \* 10/2006 Probst ..... D14/228  
 D535,645 S \* 1/2007 Probst ..... D14/225  
 D673,204 S \* 12/2012 Bae ..... D16/244  
 D687,421 S \* 8/2013 Slaton ..... D14/229  
 D746,797 S \* 1/2016 Chen ..... D14/228

\* cited by examiner

*Primary Examiner* — Katie Jane Stofko

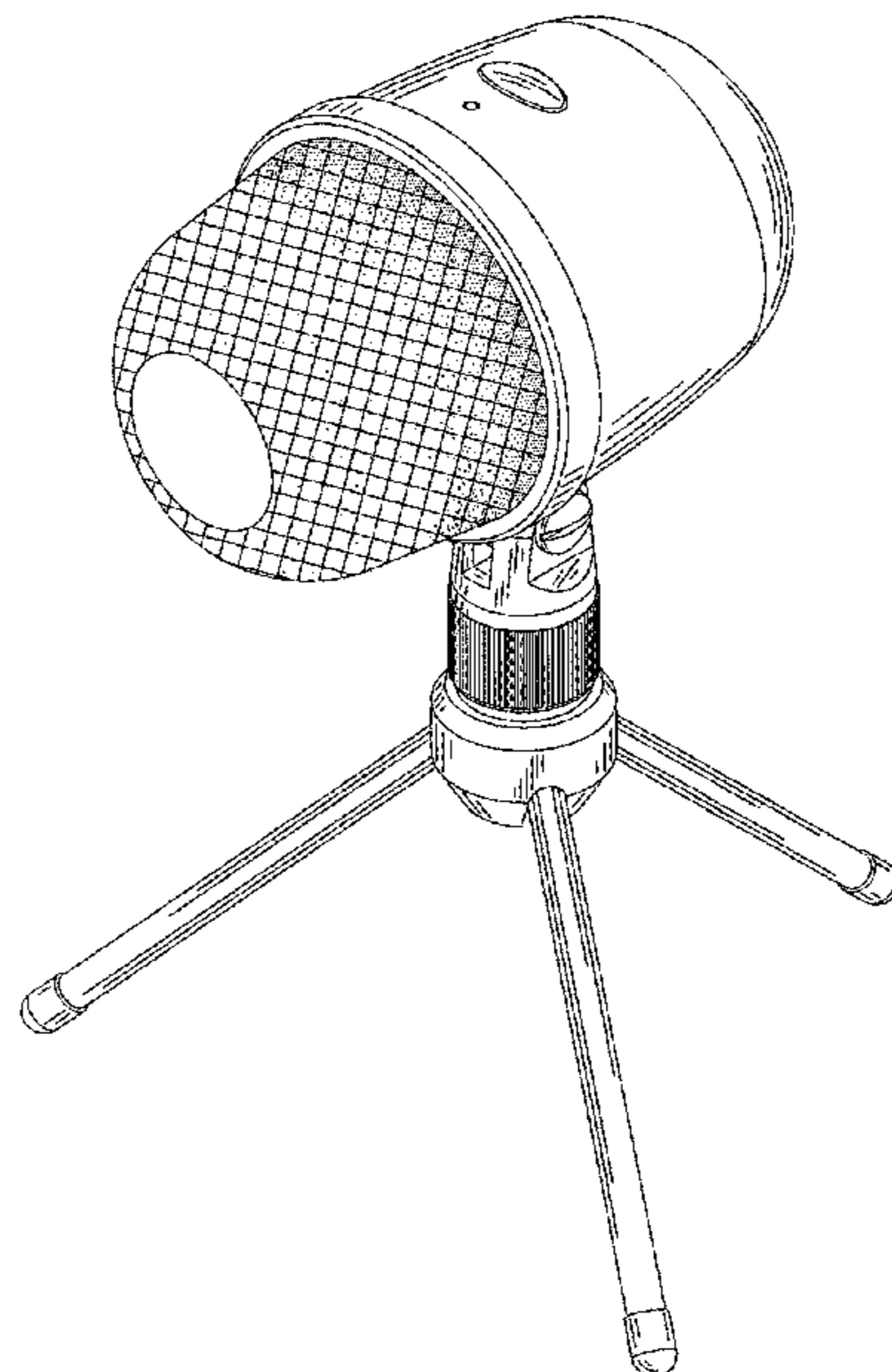
(57) **CLAIM**

The ornamental design for a computer microphone, as shown and described.

**DESCRIPTION**

FIG. 1 is a front elevational view of a computer microphone showing my new design;  
 FIG. 2 is a rear elevational view thereof;  
 FIG. 3 is a left side view thereof;  
 FIG. 4 is a right side view thereof;  
 FIG. 5 is a top plan view thereof;  
 FIG. 6 is a bottom plan view thereof;  
 FIG. 7 is a perspective view thereof;  
 FIG. 8 is a right side view thereof, shown in an alternate position; and,  
 FIG. 9 is a left side view thereof, shown in an alternate position.  
 The broken lines shown in FIGS. 2-4, 6, 8 and 9 illustrate portions of the computer microphone that form no part of the claimed design.

**1 Claim, 9 Drawing Sheets**



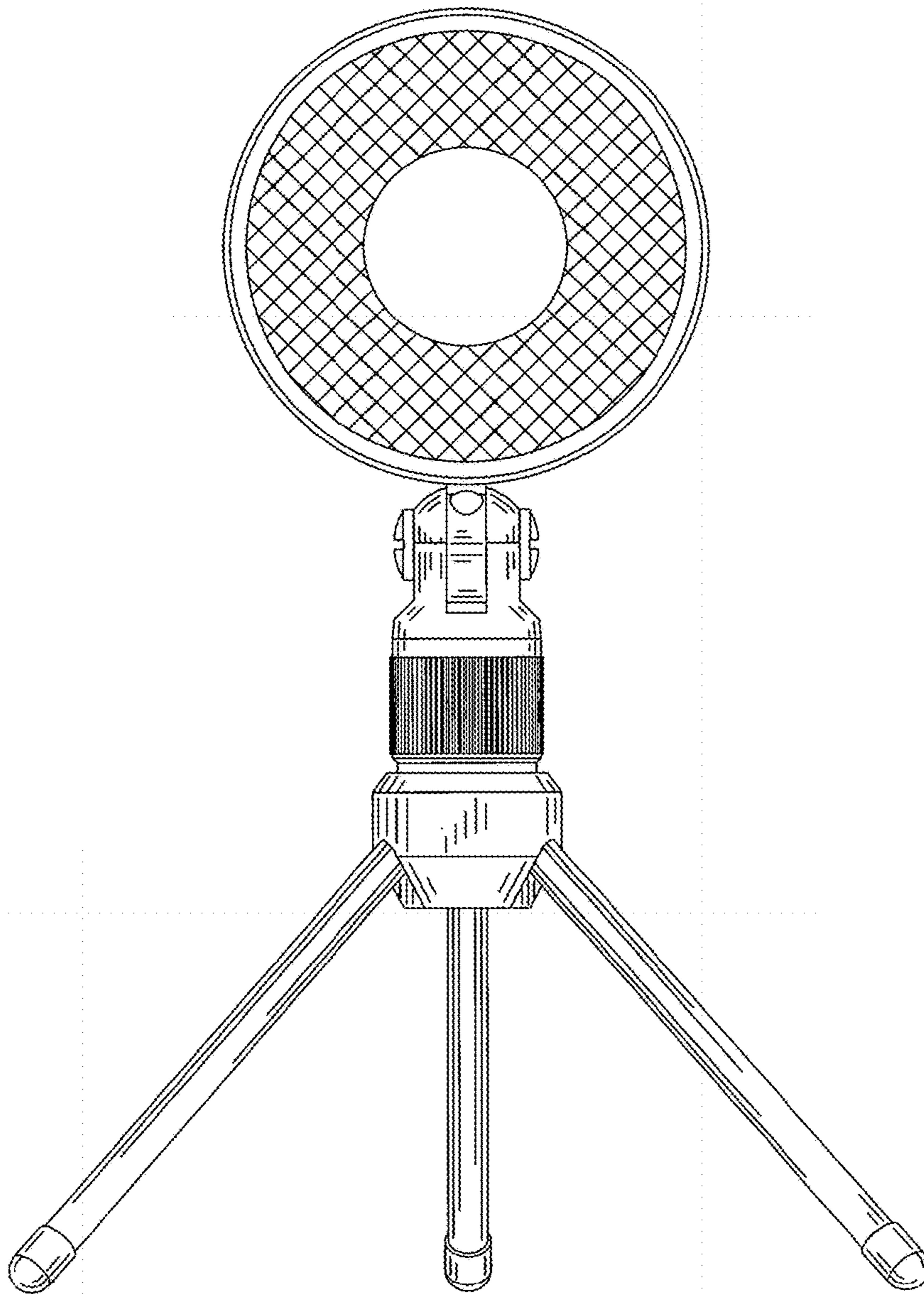


Fig.1

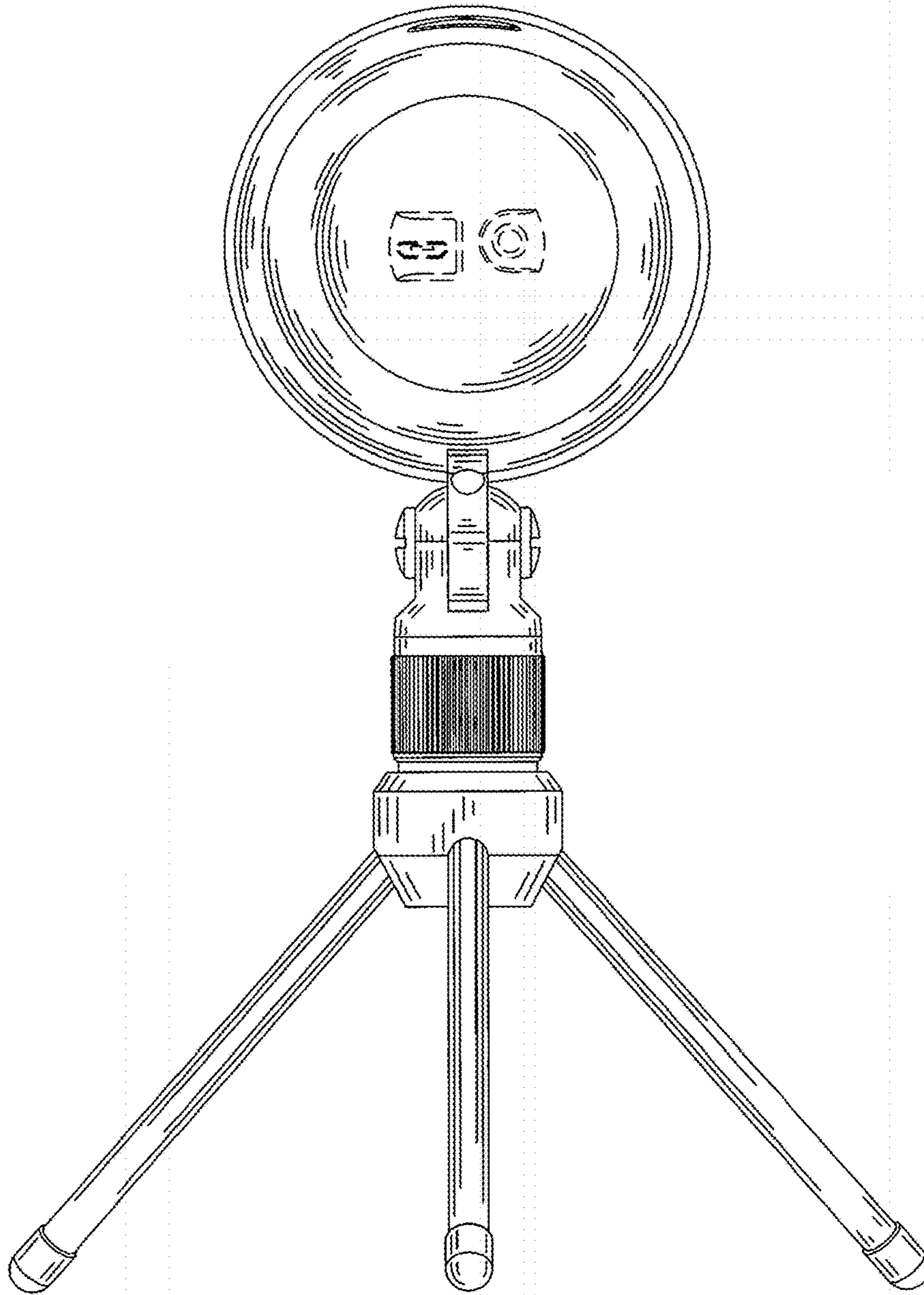


Fig.2



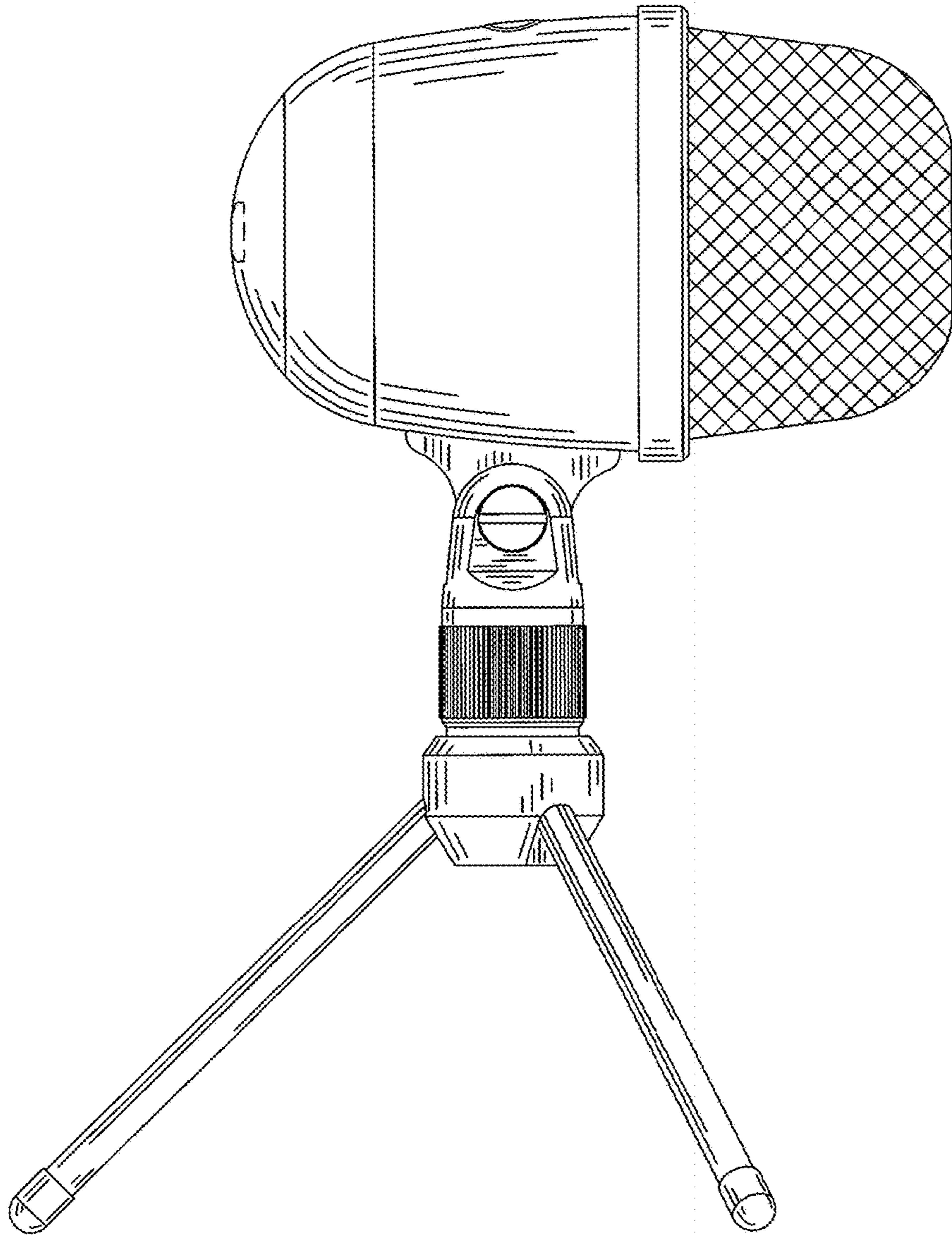


Fig.3

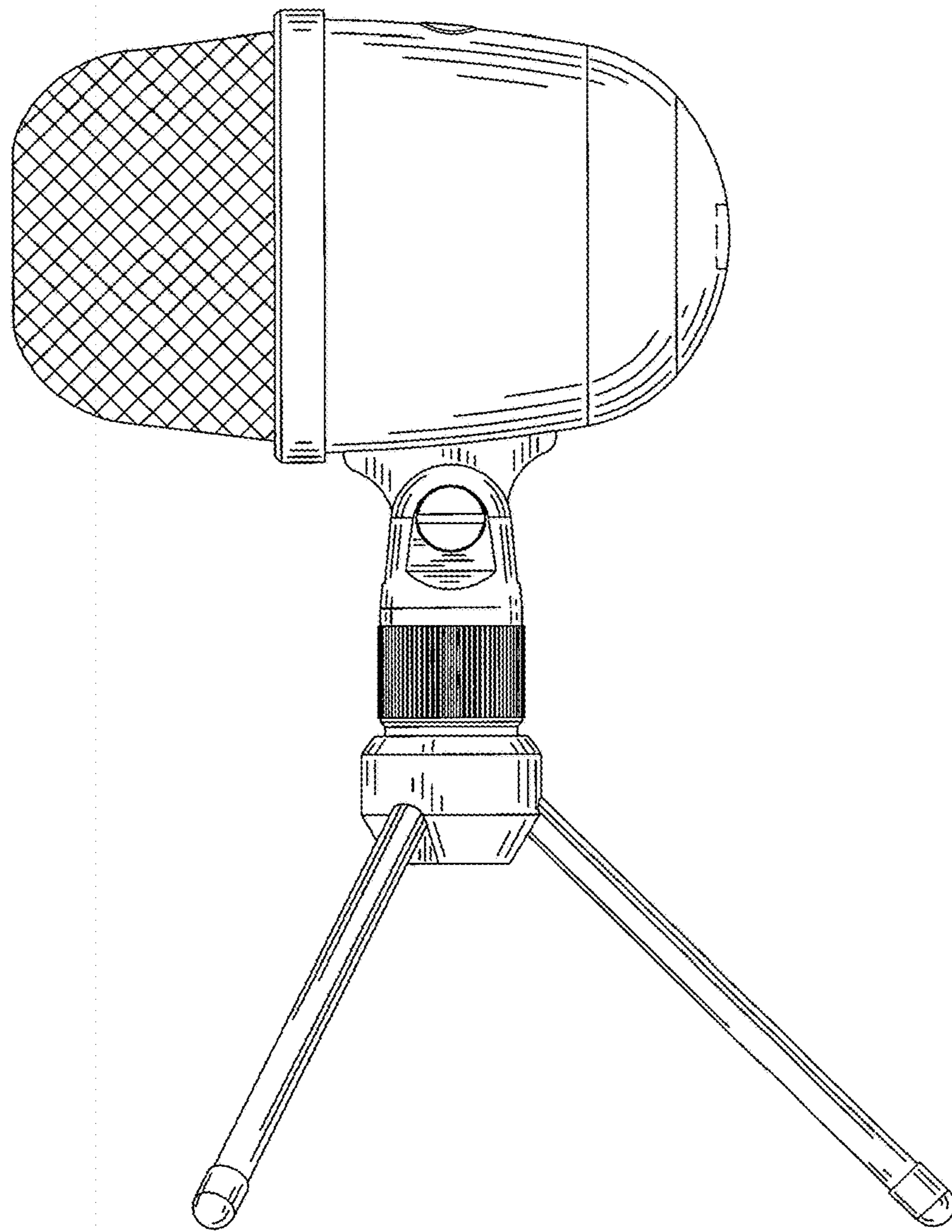


Fig.4

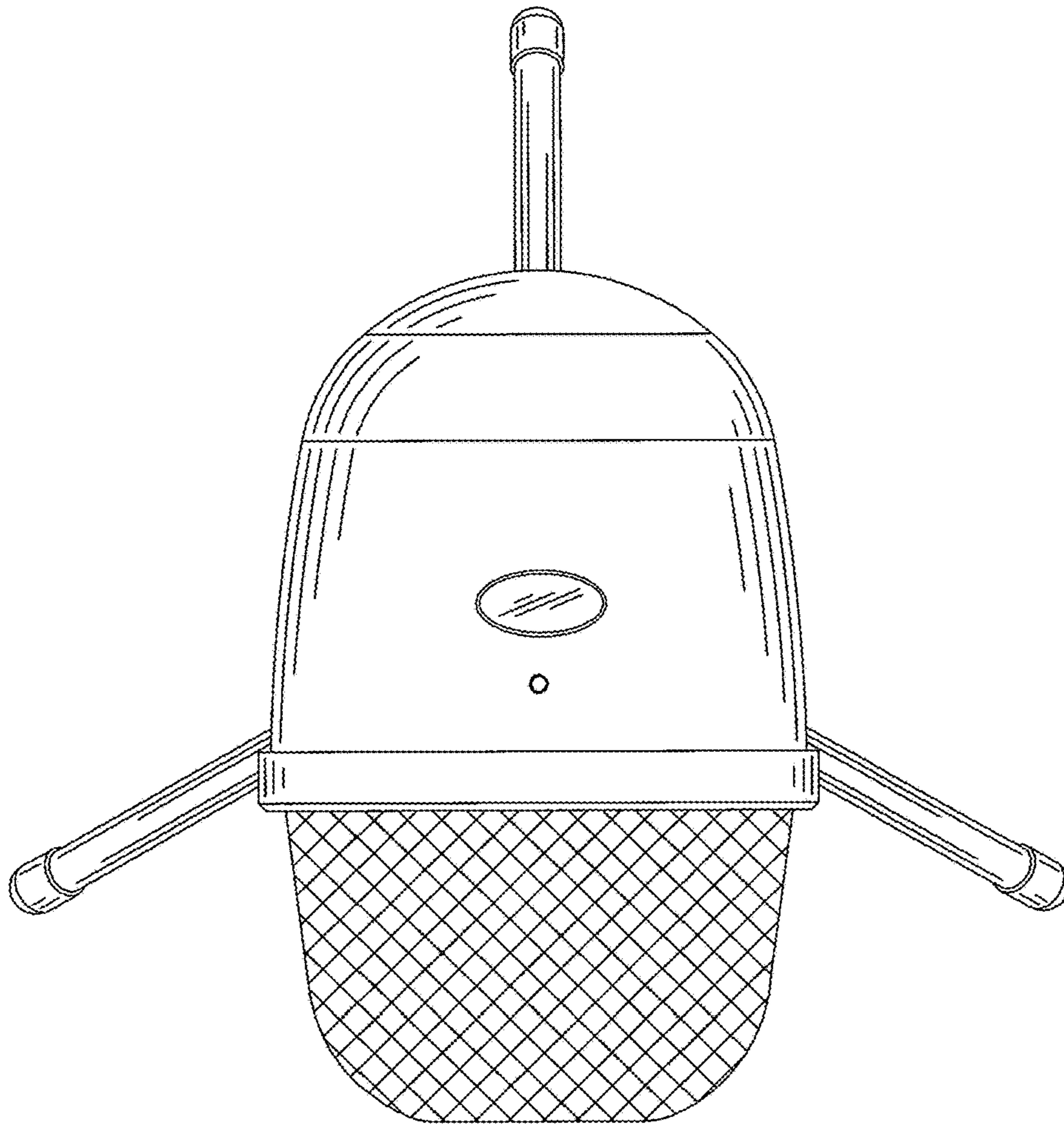


Fig.5

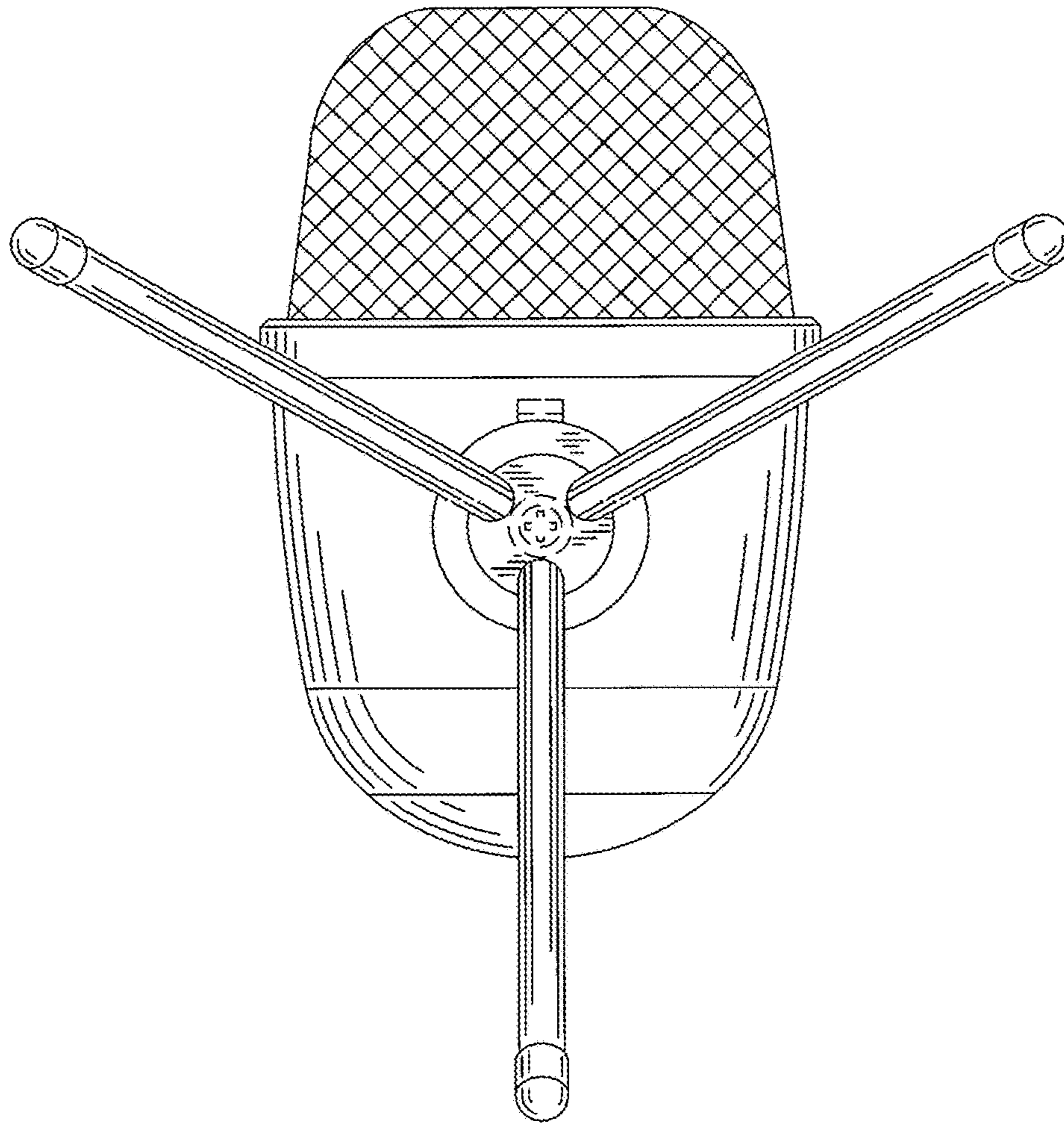


Fig.6



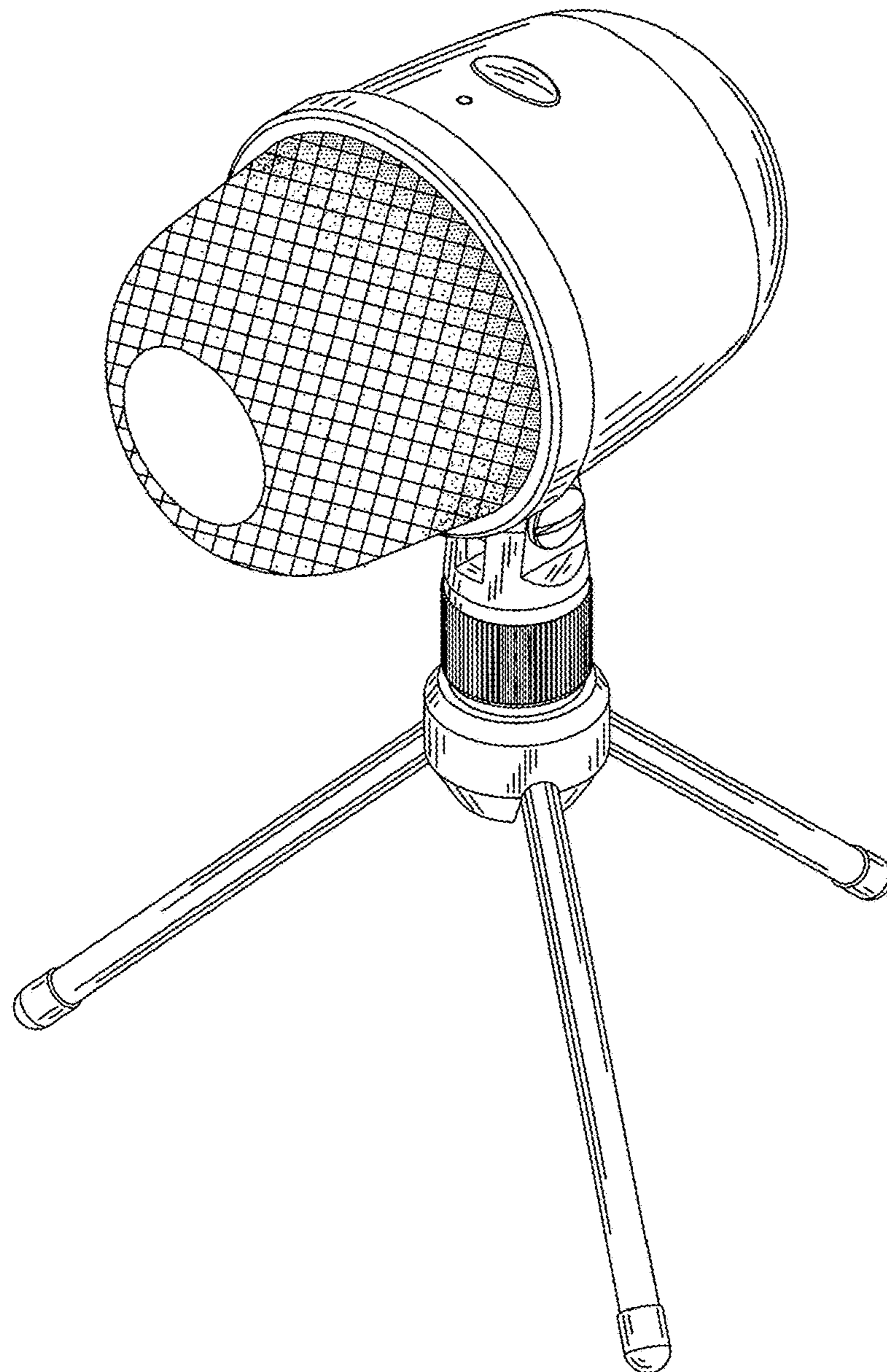


Fig.7



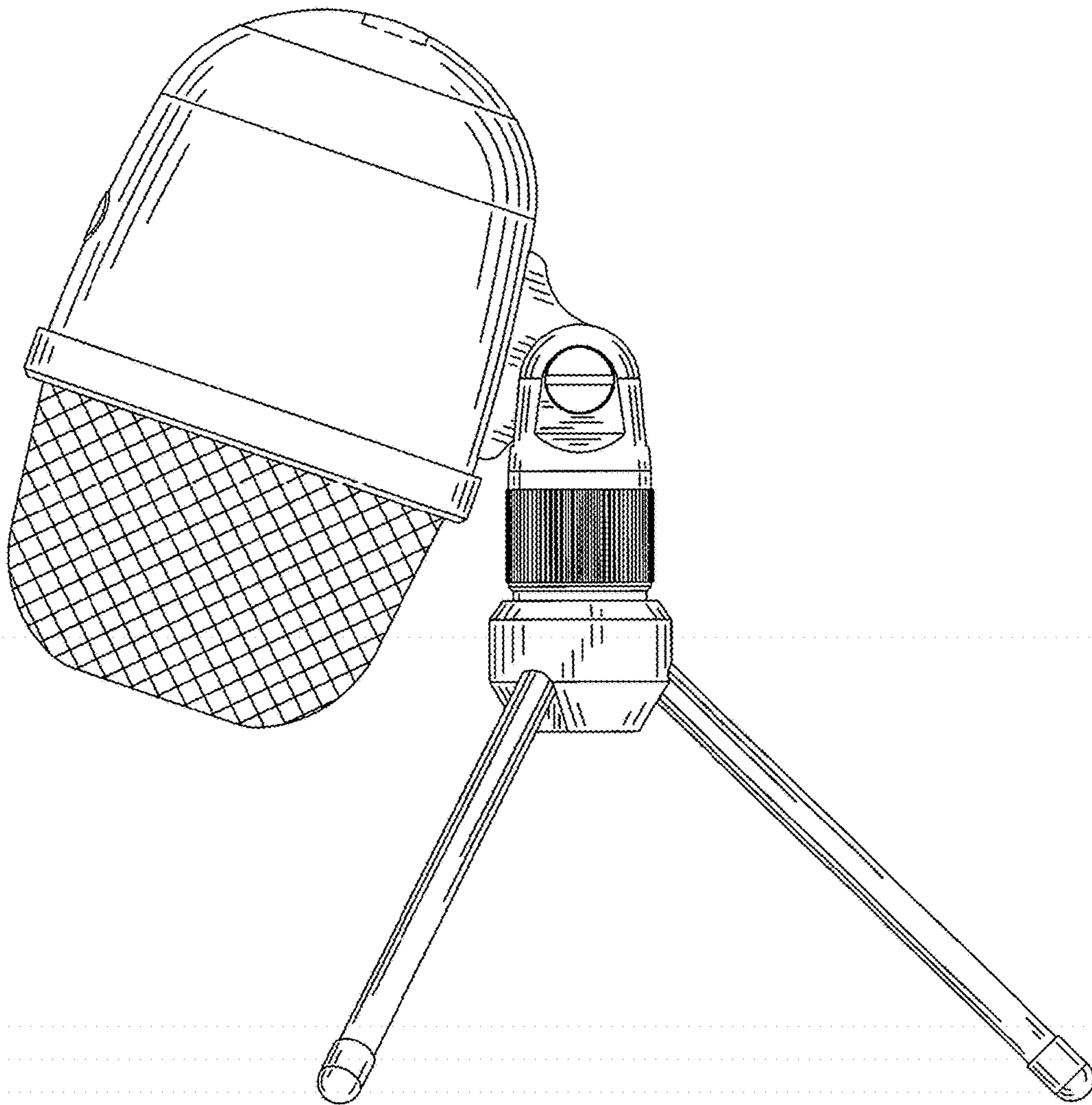


Fig.8

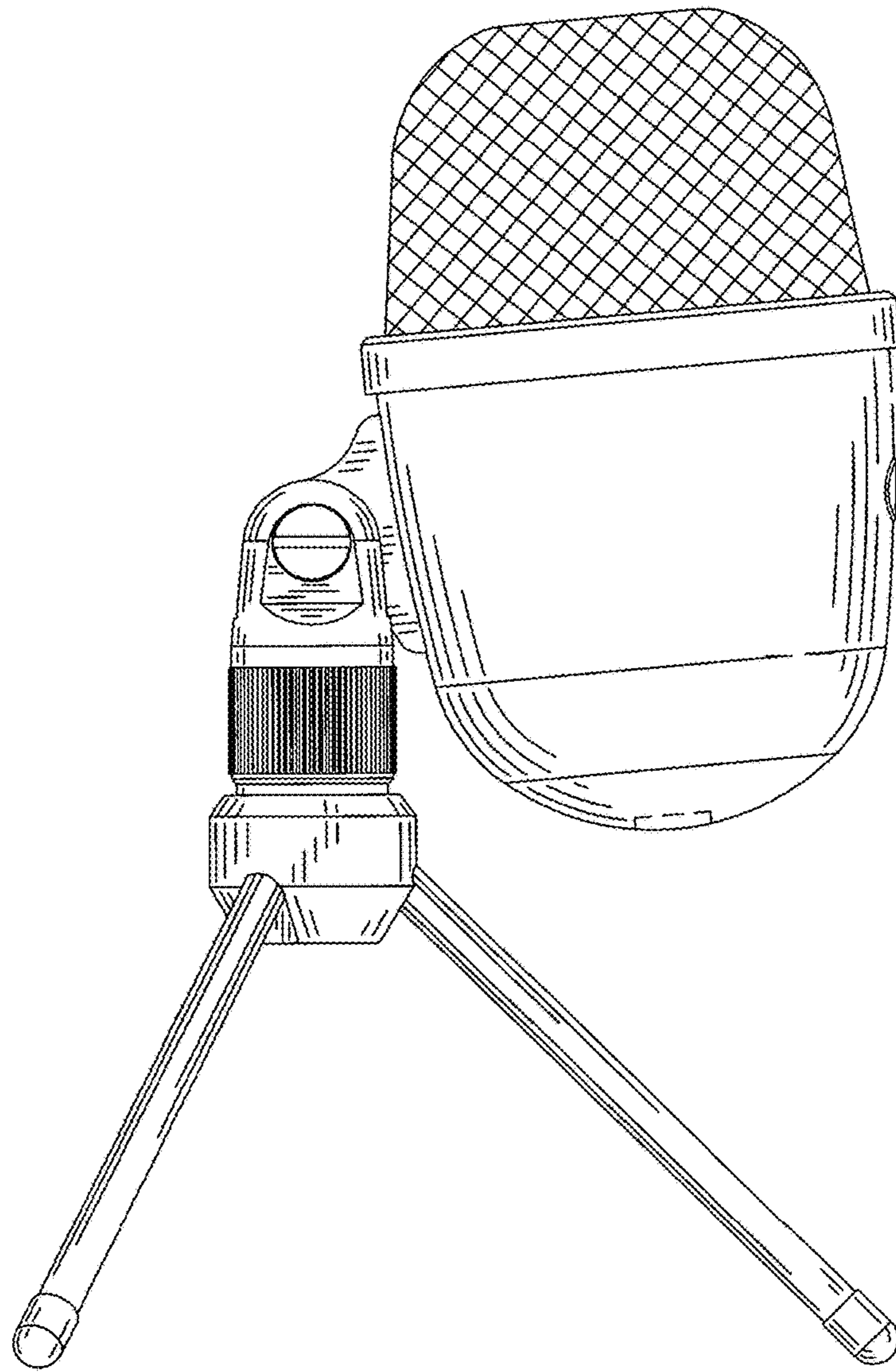


Fig.9