



US00D839854S

(12) **United States Design Patent** (10) **Patent No.:** **US D839,854 S**
Kim et al. (45) **Date of Patent:** **** *Feb. 5, 2019**

(54) **AUDIO VISUAL BOX FOR TV RECEIVER**

(71) Applicant: **LG ELECTRONICS INC.**, Seoul (KR)

(72) Inventors: **Yooseok Kim**, Seoul (KR); **Sunha Park**, Seoul (KR); **Younsoo Kim**, Seoul (KR); **Byungmu Huh**, Seoul (KR)

(73) Assignee: **LG ELECTRONICS INC.**, Seoul (KR)

(*) Notice: This patent is subject to a terminal disclaimer.

(**) Term: **15 Years**

(21) Appl. No.: **35/503,393**

(22) Filed: **Jan. 20, 2017**

(80) **Hague Agreement Data**

Int. Filing Date: **Jan. 20, 2017**

Int. Reg. No.: **DM/094546**

Int. Reg. Date: **Jan. 20, 2017**

Int. Reg. Pub. Date: **Jul. 21, 2017**

(30) **Foreign Application Priority Data**

Jul. 28, 2016 (KR) 30-2016-0037086

(51) **LOC (11) Cl.** **14-01**

(52) **U.S. Cl.**
USPC **D14/214**

(58) **Field of Classification Search**

USPC D14/125-126, 131, 172, 188, 193-194, D14/203.1, 204-206, 209.1, 210-216, D14/221, 223-224, 239, 249, 265
(Continued)

(56) **References Cited**

U.S. PATENT DOCUMENTS

D325,032 S * 3/1992 Nagele D14/188
D473,208 S * 4/2003 Solland D14/188
(Continued)

OTHER PUBLICATIONS

Thorp-Lancaster, Dan, Snag the Xbox One optimized Polk Audio N1 Gaming Sound Bar, posted at Windows Central, posted Sep. 4, 2015. [online][visited May 23, 2018] URL: <https://forums.windowscentral.com/windows-central-news-discussion/381224-snag-xbox-one-optimized-polk-audio-n1-gaming-soundbar-100-a.html>> (Year: 2015).*

(Continued)

Primary Examiner — George D. Kirschbaum

Assistant Examiner — Kathleen L Jones

(74) *Attorney, Agent, or Firm* — Birch, Stewart, Kolasch & Birch, LLP

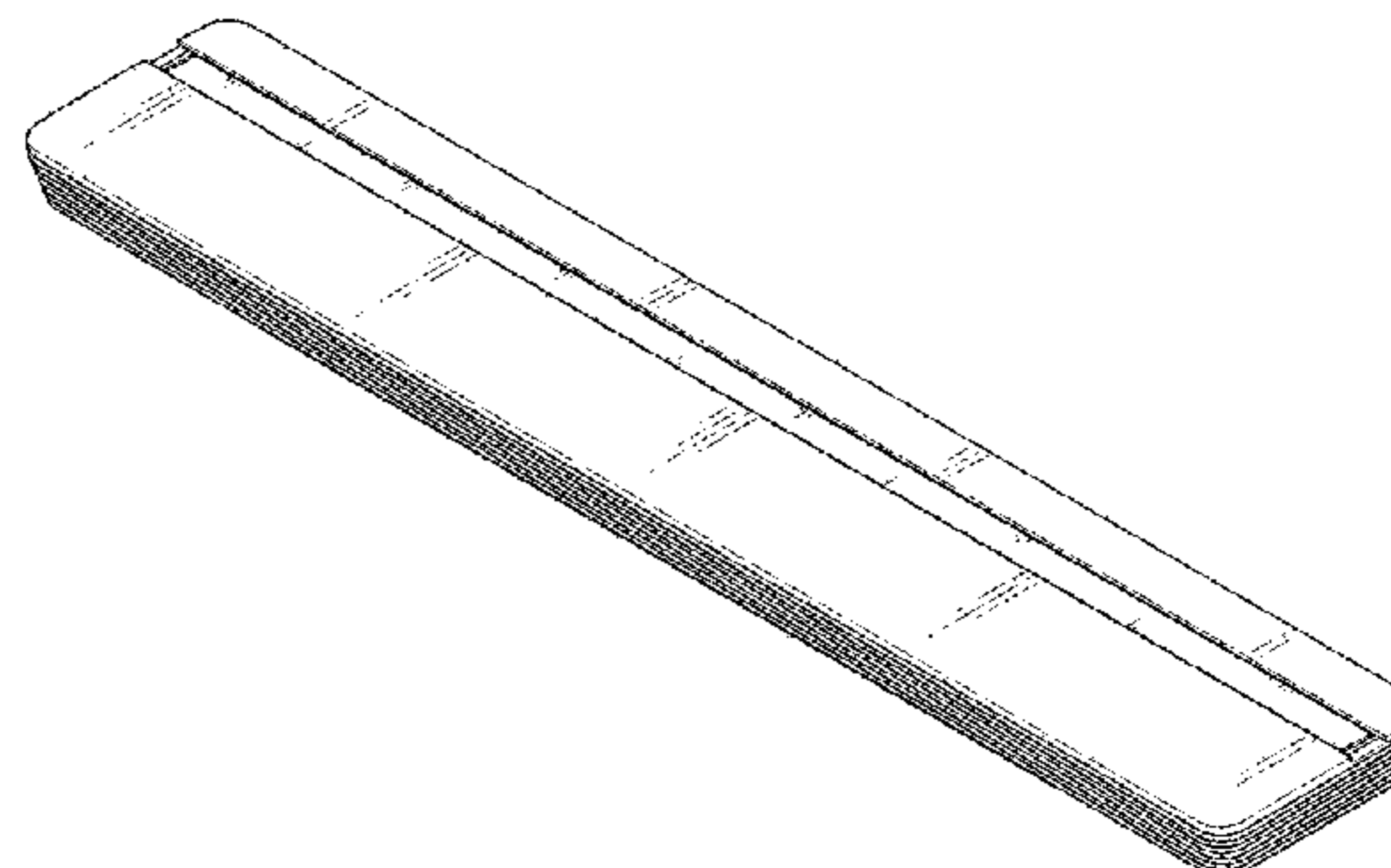
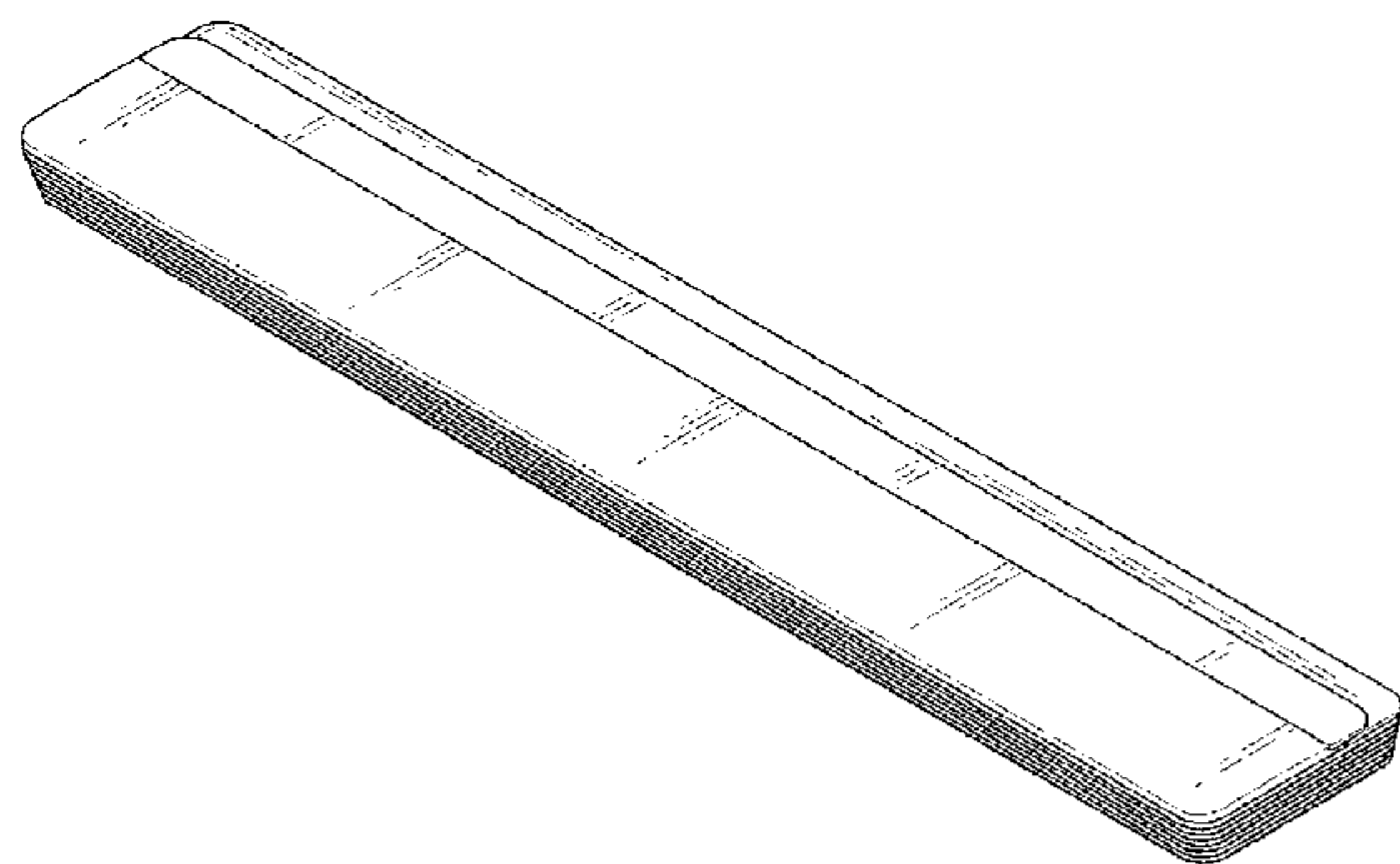
(57) **CLAIM**

The ornamental design for an audio visual box for TV receiver, as shown and described.

DESCRIPTION

- 1 . Audio visual box for TV receiver
- 1.1 : Perspective
- 1.2 : Front
- 1.3 : Back
- 1.4 : Left
- 1.5 : Right
- 1.6 : Top
- 1.7 : Bottom
- 1.8 : Perspective

(Continued)



- 1.9 : Front
- 1.10 : Back
- 1.11 : Left
- 1.12 : Right
- 1.13 : Top
- 1.14 : Bottom

Reproductions 1.1-1.7 show the audio visual box for TV receiver in a first position and reproductions 1.8-1.14 show the audio visual box for TV receiver in a second position.

D640,651	S	*	6/2011	Oba	D14/126
D647,078	S	*	10/2011	Mori	D14/214
D708,166	S	*	7/2014	Lim	D14/209.1
D733,143	S	*	6/2015	Yun	D14/434
D737,802	S	*	9/2015	Woo	D14/214
D800,693	S	*	10/2017	Sugiura	D14/214
D800,694	S	*	10/2017	Sugiura	D14/214
D801,411	S	*	10/2017	Lee	D16/230
D817,308	S	*	5/2018	Sugiura	D14/214
2017/0223465	A1	*	8/2017	Pinkerton, III	H04R 19/02

1 Claim, 8 Drawing Sheets

OTHER PUBLICATIONS

- (58) **Field of Classification Search**
 CPC . B60R 11/0217; B60R 11/0223; H04R 1/023;
 H04R 1/025; H04R 1/323; H04R 5/02;
 H04R 19/02; H04R 2400/00; H04R
 2400/07; H04R 2400/11; G06F 1/16
 See application file for complete search history.

KR-300763605, posted at Orbit, publication date Oct. 1, 2014.
 [online][site visited May 23, 2018] Available from Internet. (Year: 2014).*

Top 5 TV Sound Bars of 2014, posted at Best Choice Reviews, posting date Feb. 13, 2014. [online][site visited May 30, 2018]
 URL: <<http://web.archive.org/web/20140213033924/http://www.bestchoicereviews.org/electronics/sound-bars/>> (Year: 2014).*

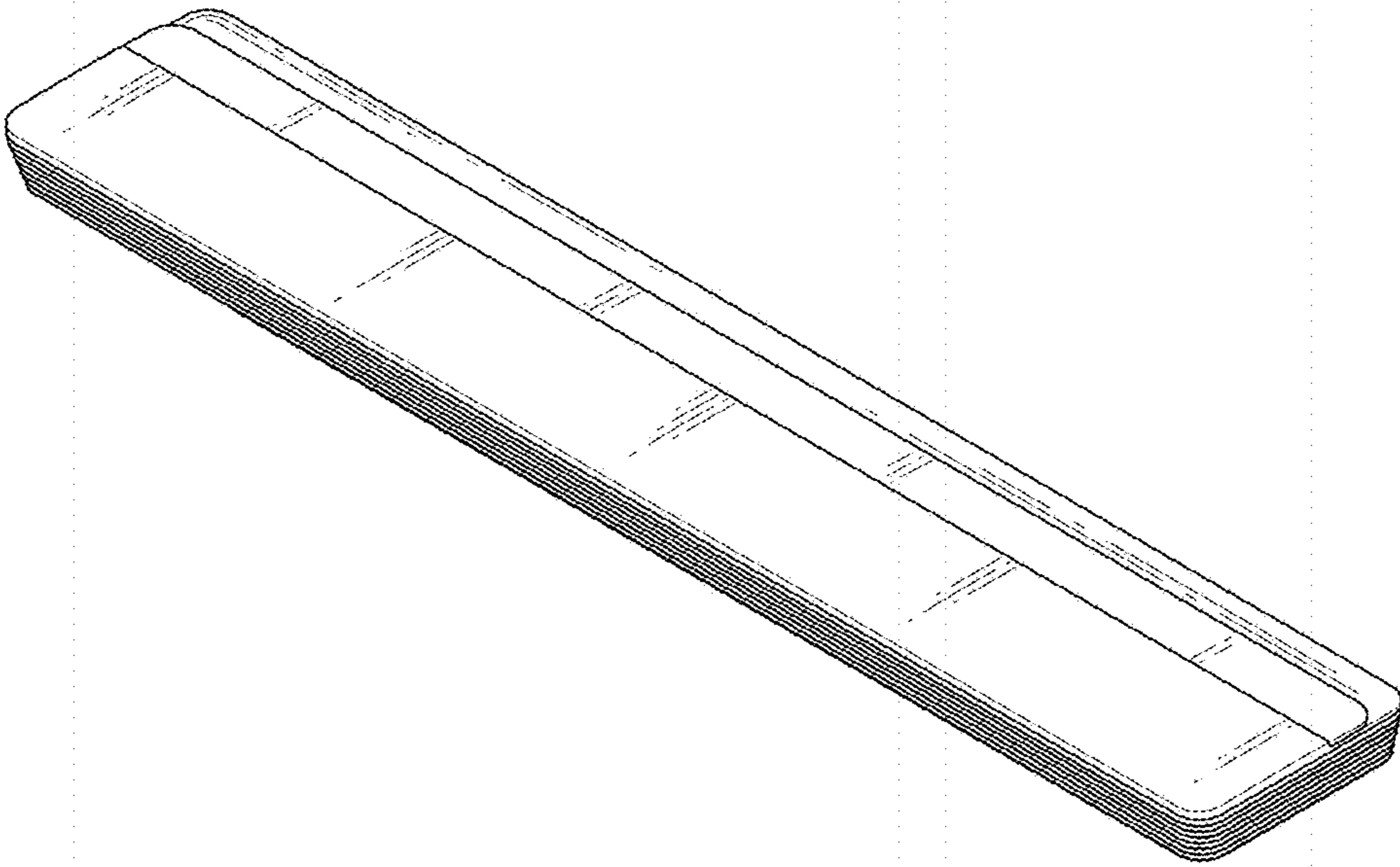
- (56) **References Cited**

U.S. PATENT DOCUMENTS

D473,209	S	*	4/2003	Solland	D14/188
D589,935	S	*	4/2009	Kim	D14/211

* cited by examiner

1.1



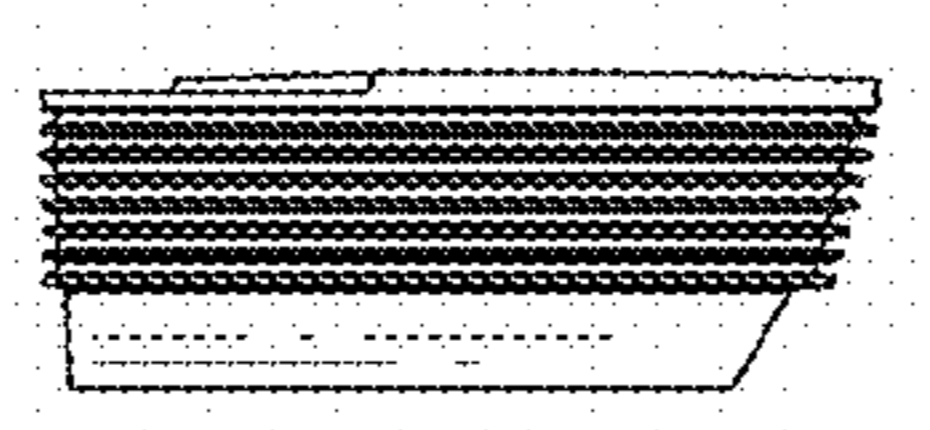
1.2



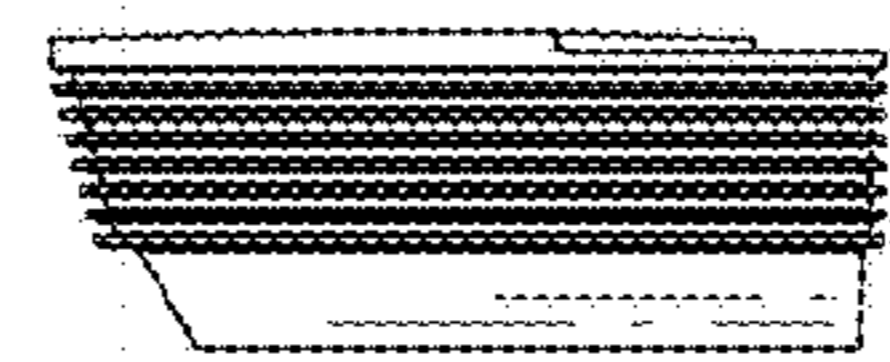
1.3



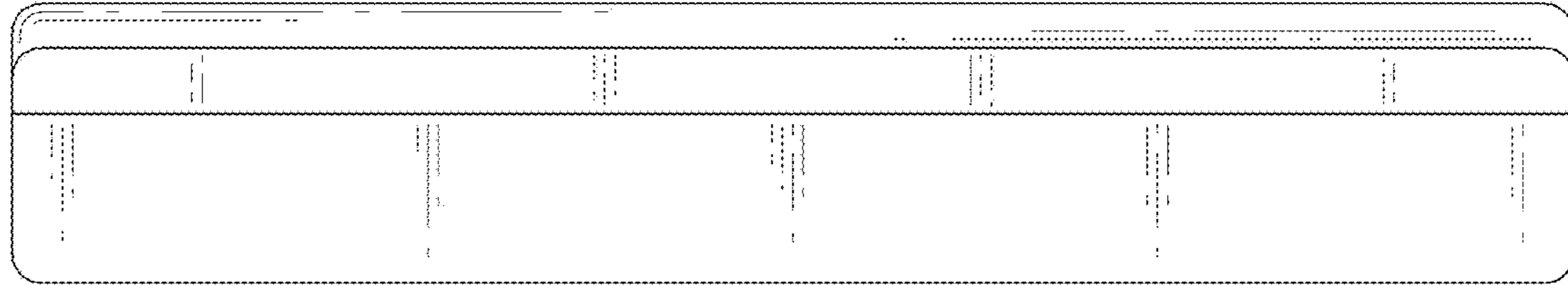
1.4



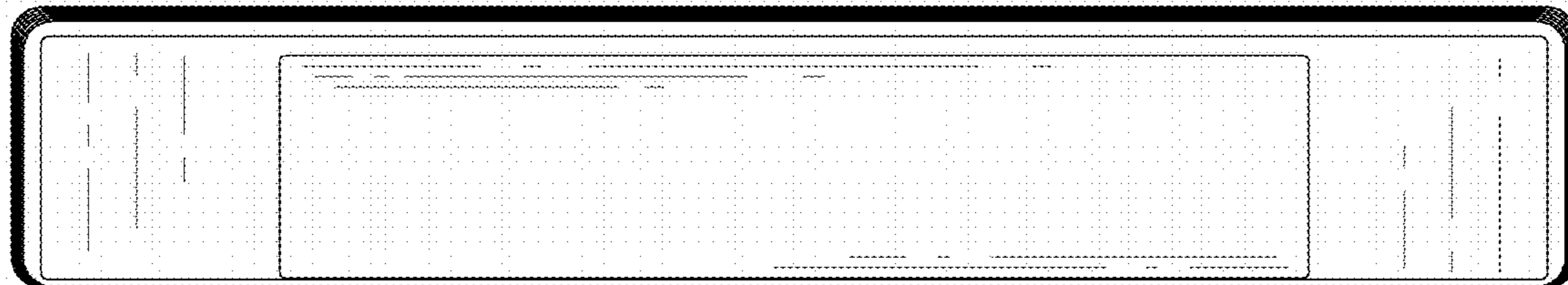
1.5



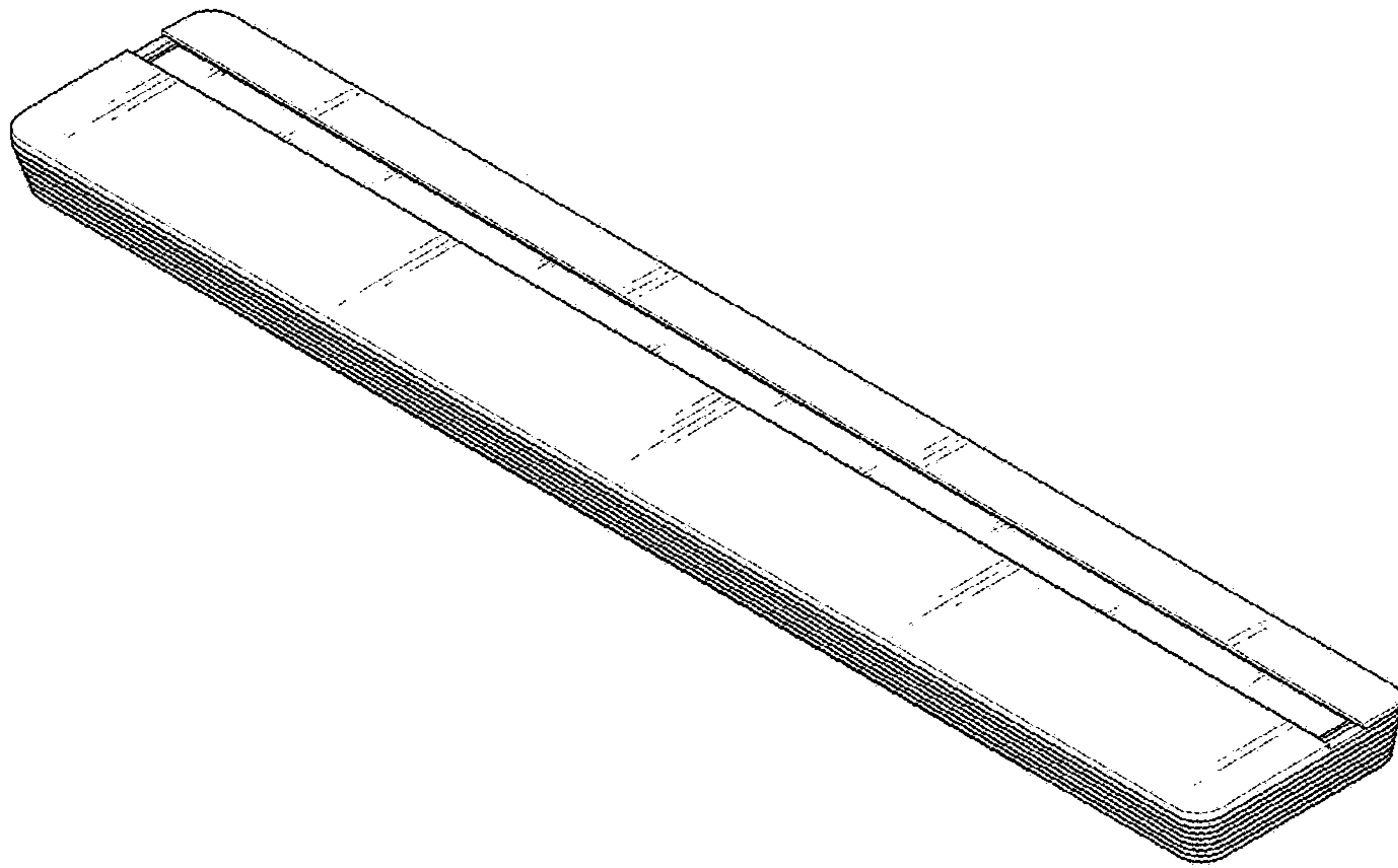
1.6



1.7



1.8



1.9



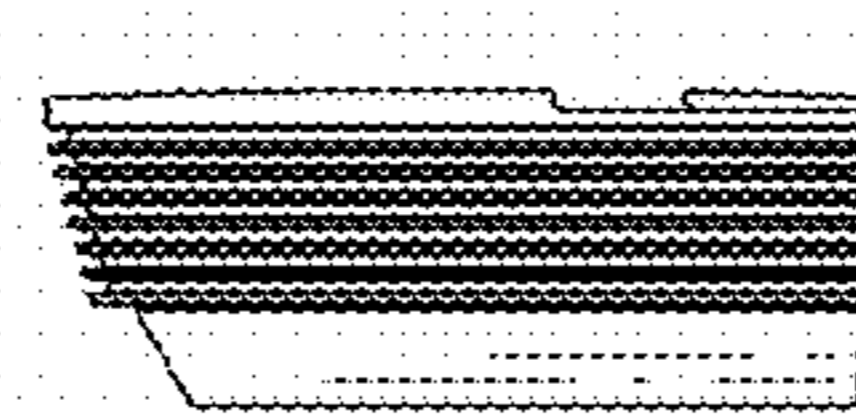
1.10



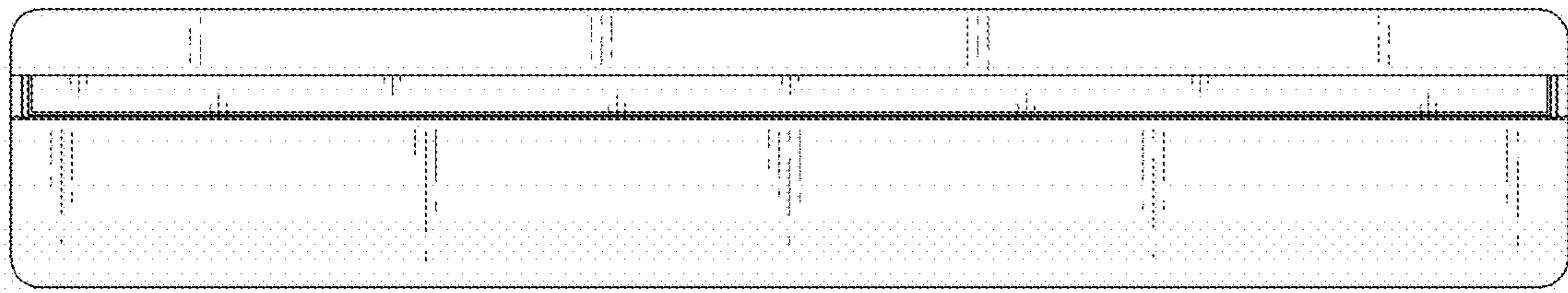
1.11



1.12



1.13



1.14

