



US00D839850S

(12) **United States Design Patent**  
**Mei**

(10) **Patent No.:** **US D839,850 S**

(45) **Date of Patent:** **\*\* Feb. 5, 2019**

- (54) **EARPHONE**
- (71) Applicant: **Qingkai Mei**, Guangdong (CN)
- (72) Inventor: **Qingkai Mei**, Guangdong (CN)
- (73) Assignee: **Shenzhen MeiDong Acoustics Co., LTD**, Lezhujiao, Xixiang, Baoan, Shenzhen, Guangdong (CN)
- (\*\*) Term: **15 Years**
- (21) Appl. No.: **29/619,446**
- (22) Filed: **Sep. 29, 2017**
- (51) **LOC (11) Cl.** ..... **14-01**
- (52) **U.S. Cl.**  
USPC ..... **D14/205**
- (58) **Field of Classification Search**  
USPC ..... D14/205, 223; 181/129, 130, 135;  
379/430, 431; 381/380, 381, 374, 74;  
455/90.3, 575.1, 569.1  
CPC ..... H04R 1/10; H04R 25/00; H04R 1/1016;  
H04R 1/1066; H04R 5/033; H04R  
5/0335; H04R 1/105  
See application file for complete search history.

6,438,248	B1 *	8/2002	Kamimura	.....	H04M 1/05	381/374
D473,317	S *	4/2003	Lie	.....	D24/213	
D539,782	S *	4/2007	Lee	.....	D14/188	
D558,735	S *	1/2008	Carr	.....	D14/206	
D564,495	S *	3/2008	Sasaki	.....	D14/205	
D569,841	S *	5/2008	Chung	.....	D14/205	
D572,703	S *	7/2008	Ledbetter	.....	D14/205	
D578,508	S *	10/2008	Wang	.....	D14/206	
D582,389	S *	12/2008	Bose	.....	D14/205	
D582,889	S *	12/2008	Bose	.....	D14/205	
D584,284	S *	1/2009	Carr	.....	D14/206	
D599,778	S *	9/2009	Ando	.....	D14/205	
D605,170	S *	12/2009	Keinanen	.....	D14/205	
D605,628	S *	12/2009	Ando	.....	D14/205	
7,664,540	B2 *	2/2010	Tsai	.....	H04M 1/05	455/575.2
D637,998	S *	5/2011	Brunner	.....	D14/205	
7,949,127	B2 *	5/2011	Pedersen	.....	H04R 1/1066	379/430
D641,737	S *	7/2011	Krauss	.....	D14/205	
D645,458	S *	9/2011	Silvestri	.....	H04R 1/1016	D14/223

(Continued)

Primary Examiner — Paula Allen Greene

(57) **CLAIM**

I claim the ornamental design for an earphone, as shown and described.

(56) **References Cited**

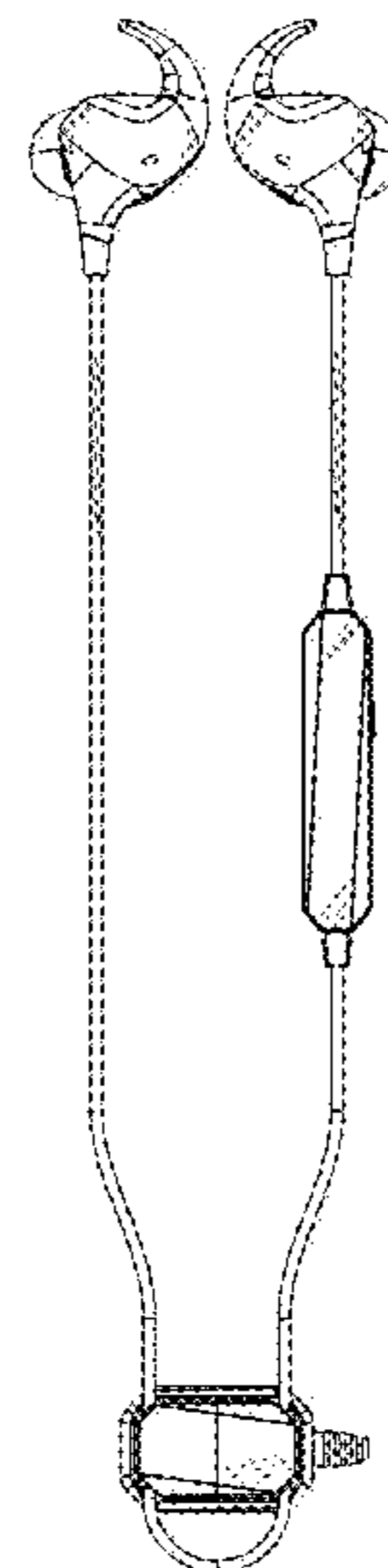
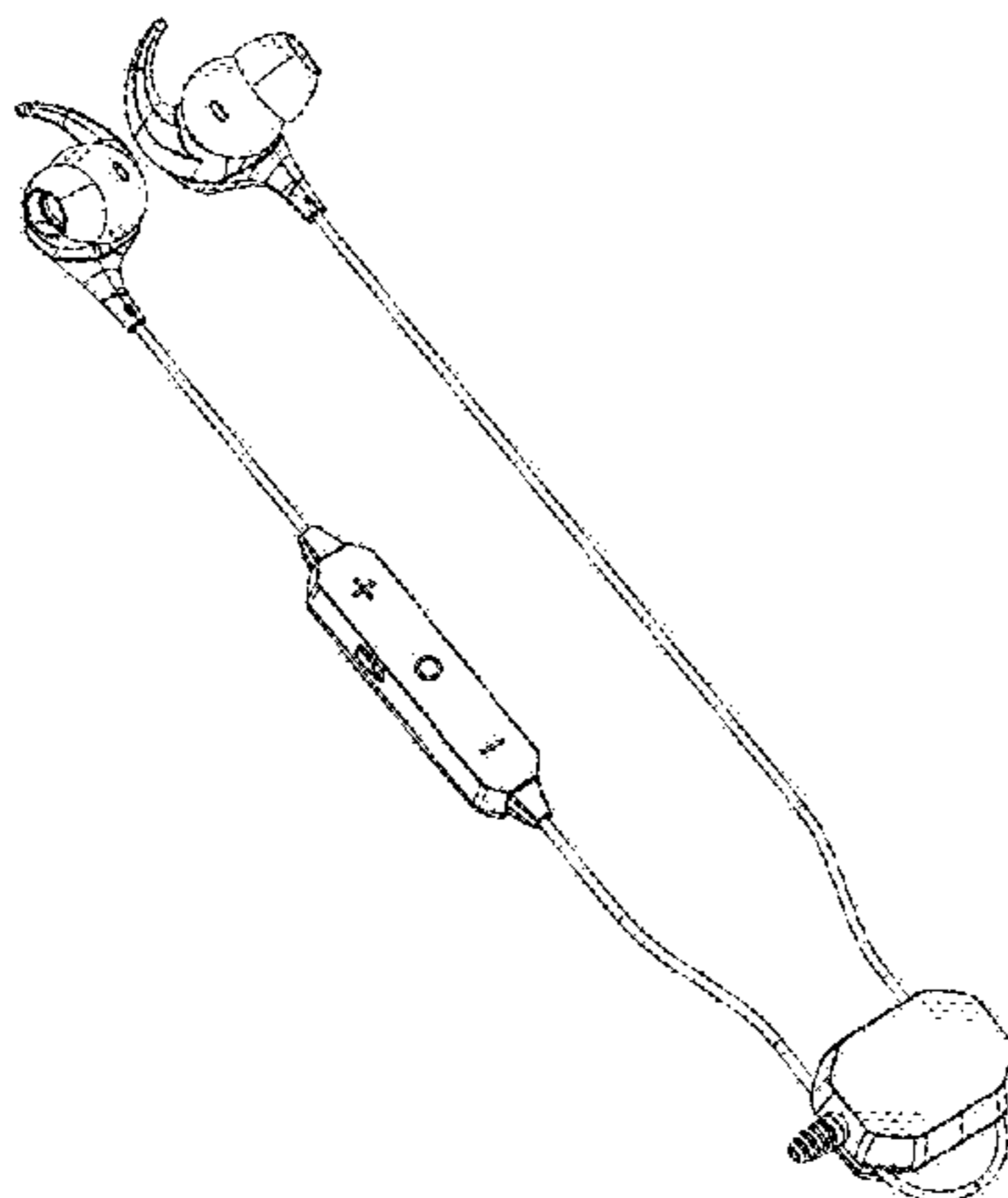
U.S. PATENT DOCUMENTS

4,754,484	A *	6/1988	Larkin	.....	H04M 1/05	379/419
D311,007	S *	10/1990	Daido	.....	D14/205	
4,972,468	A *	11/1990	Murase	.....	H04B 1/385	379/430
D318,670	S *	7/1991	Taniguchi	.....	D14/205	
5,410,608	A *	4/1995	Lucey	.....	H04R 1/083	381/360
5,642,402	A *	6/1997	Vilmi	.....	H04B 1/3877	379/420.02
6,122,369	A *	9/2000	Hwang	.....	H04M 1/6058	379/420.03

**DESCRIPTION**

FIG. 1 is a perspective view of an earphone showing my new design;  
FIG. 2 is a front elevational view thereof;  
FIG. 3 is a rear elevational view thereof;  
FIG. 4 is a left side elevational view thereof;  
FIG. 5 is a right side elevational view thereof;  
FIG. 6 is a top plan view thereof; and,  
FIG. 7 is a bottom plan view thereof.

**1 Claim, 7 Drawing Sheets**



(56)

References Cited

U.S. PATENT DOCUMENTS

8,073,181 B2 *	12/2011	Bakalos	.....	H04R 3/04 381/103	D722,302 S *	2/2015	Lee	.....	D14/205
D652,822 S *	1/2012	Lee	.....	D14/223	D725,625 S *	3/2015	Hsieh	.....	D14/205
D659,117 S *	5/2012	Krauss	.....	D14/205	D726,145 S *	4/2015	Hsieh	.....	D14/205
D678,251 S *	3/2013	Cantoni	.....	D14/223	D727,279 S *	4/2015	Schaal	.....	D14/205
D684,950 S *	6/2013	Schaal	.....	D14/205	D727,871 S *	4/2015	Orbach	.....	D14/205
D684,953 S *	6/2013	Schaal	.....	D14/205	D738,864 S *	9/2015	Lee	.....	D14/223
D685,750 S *	7/2013	Nakagawa	.....	D13/168	D739,377 S *	9/2015	Yeom	.....	D14/205
D685,764 S *	7/2013	Coulter	.....	D14/205	D739,852 S *	9/2015	Jiang	.....	D14/240
D686,191 S *	7/2013	Schaal	.....	D14/205	D741,299 S *	10/2015	Brunner	.....	D14/223
8,477,062 B1 *	7/2013	Kanellis	.....	G01S 13/94 342/65	D745,489 S *	12/2015	Bjelle	.....	D14/205
D692,409 S *	10/2013	Takeo	.....	D14/205	D747,291 S *	1/2016	Lee	.....	D14/205
D695,266 S *	12/2013	Schaal	.....	D14/205	D758,355 S *	6/2016	Lee	.....	D14/223
D695,267 S *	12/2013	Schaal	.....	D14/205	D760,189 S *	6/2016	Loh Jun Kern	.....	D14/205
D698,750 S *	2/2014	Yoon	.....	D14/205	D763,224 S *	8/2016	Silvestri	.....	H04R 1/1016 D14/205
8,655,006 B2 *	2/2014	Aase	.....	B29C 43/203 381/370	D764,436 S *	8/2016	Dryden	.....	D14/205
8,743,533 B2 *	6/2014	Stanley	.....	H01H 9/0228 361/679.01	D767,532 S *	9/2016	Jen	.....	D14/205
D711,356 S *	8/2014	Yang	.....	D14/223	D786,216 S *	5/2017	Silva	.....	D14/205
D712,884 S *	9/2014	Krauss	.....	D14/205	D822,646 S *	7/2018	Dang	.....	D14/223
D715,253 S *	10/2014	Lee	.....	D14/205	2004/0203521 A1 *	10/2004	Nassimi	.....	H04M 1/05 455/90.3
8,909,899 B2 *	12/2014	Greiner	.....	G06F 12/10 711/156	2009/0296975 A1 *	12/2009	Uchida	.....	H04R 1/1091 381/370
D722,040 S *	2/2015	Tan	.....	D14/205	2014/0138150 A1 *	5/2014	Huang	.....	H04R 1/1033 174/71 R
					2016/0073186 A1 *	3/2016	Searl	.....	H04R 1/1016 381/380
					2016/0261946 A1 *	9/2016	Chen	.....	H04R 1/1016

\* cited by examiner

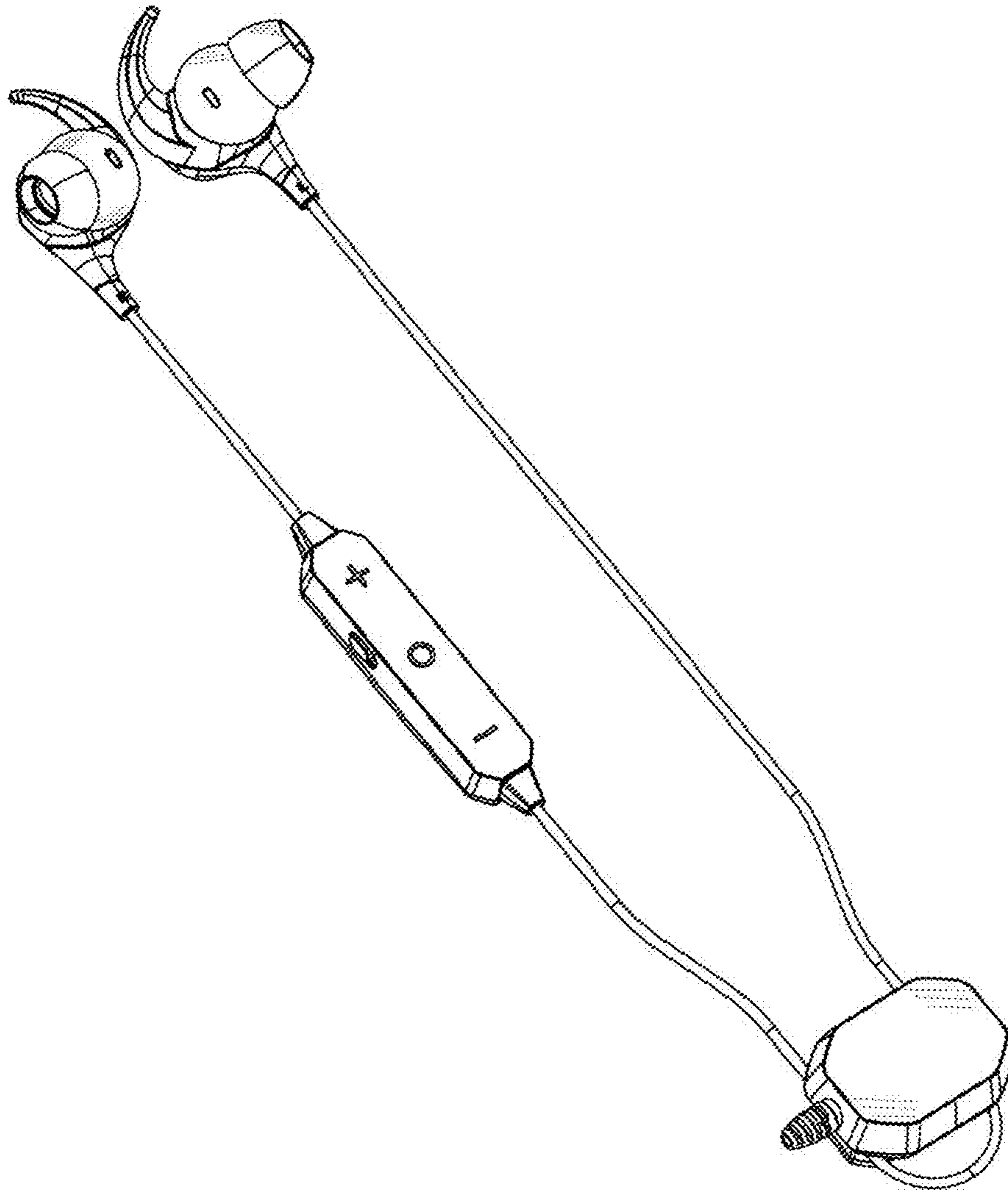


FIG.1

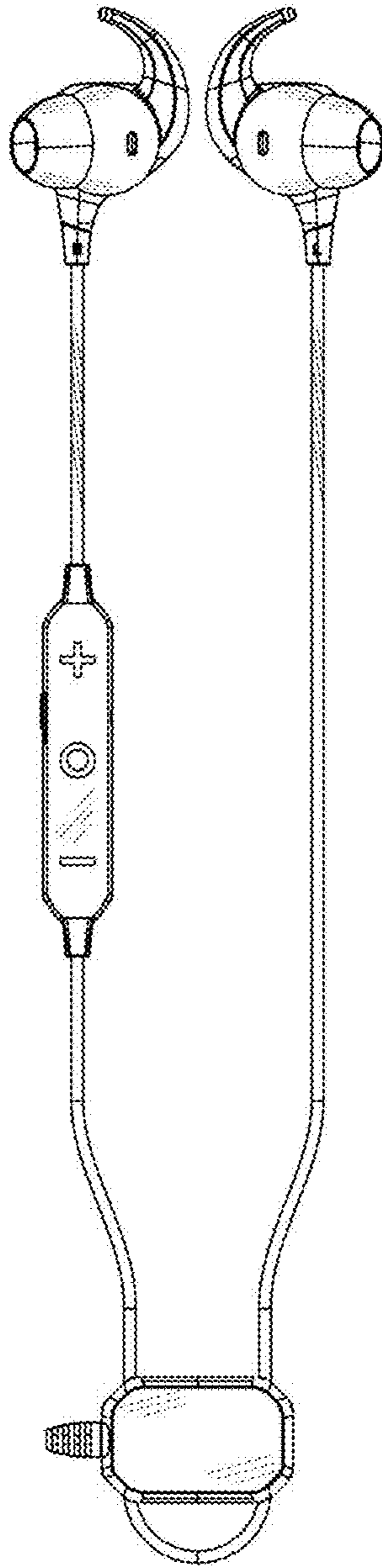


FIG.2

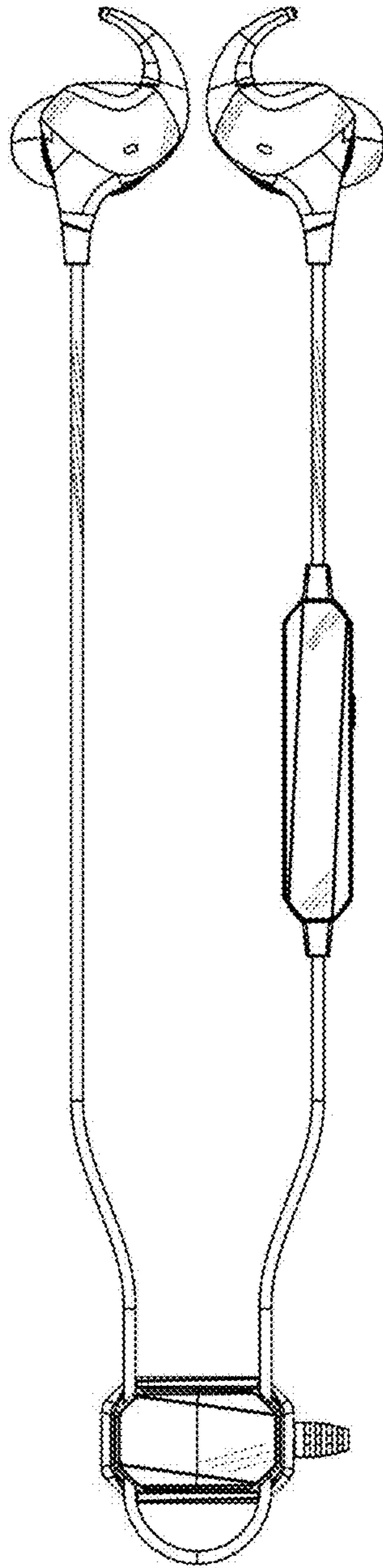


FIG.3

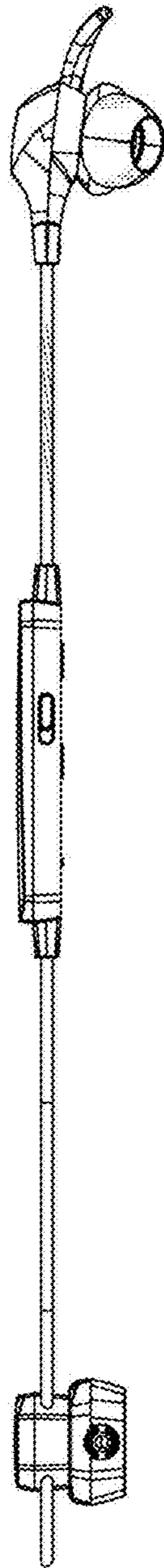


FIG.4

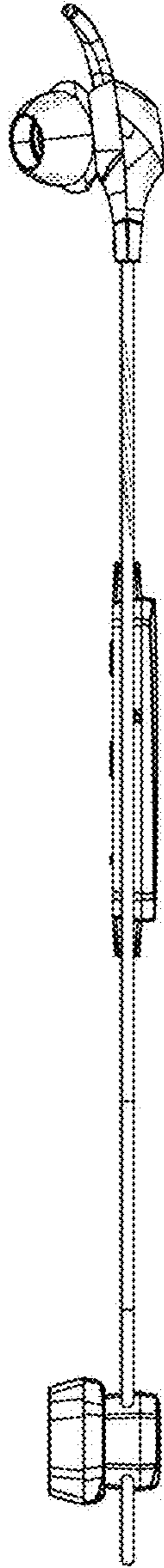


FIG.5

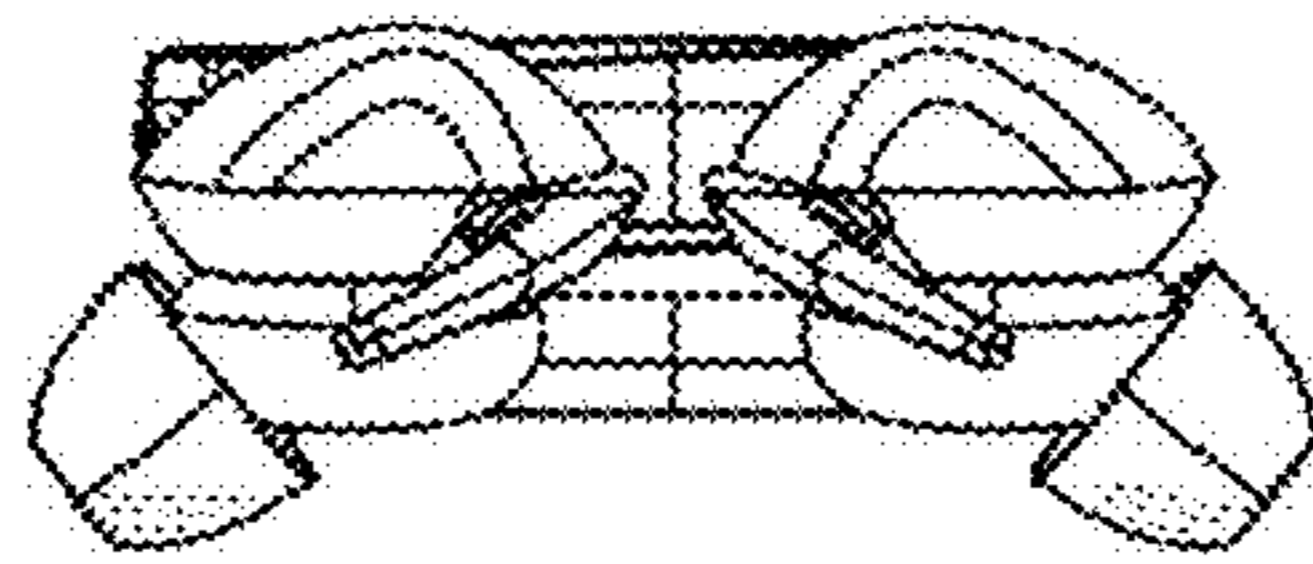


FIG. 6



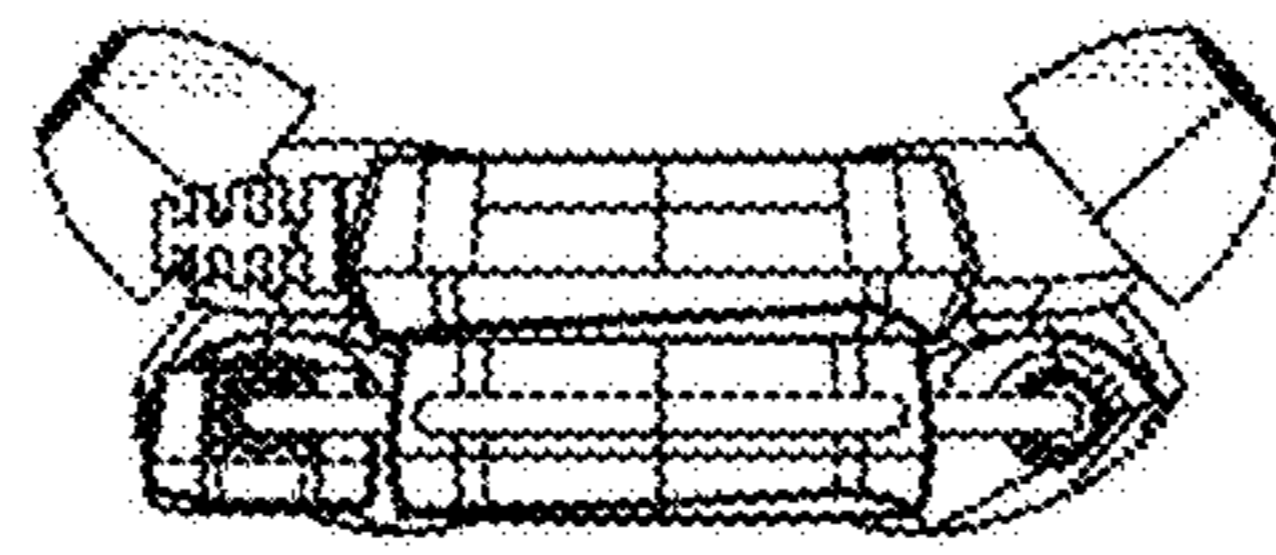


FIG.7