



US00D839849S

(12) **United States Design Patent**  
**Li et al.**

(10) **Patent No.:** **US D839,849 S**  
(45) **Date of Patent:** **\*\* Feb. 5, 2019**

(54) **IN EAR WIRELESS HEADSET**  
(71) Applicant: **SHENZHEN GRANDSUN ELECTRONIC CO., LTD.**, Shenzhen (CN)  
(72) Inventors: **Ping Li**, Shenzhen (CN); **Xin Yu**, Shenzhen (CN); **Shiwen Guo**, Shenzhen (CN); **Haiquan Wu**, Shenzhen (CN); **Ruiwen Shi**, Shenzhen (CN)  
(73) Assignee: **SHENZHEN GRANDSUN ELECTRONIC CO., LTD.**, Shenzhen, Guangdong (CN)

D280,896 S \* 10/1985 Campbell ..... D14/155  
D314,964 S \* 2/1991 Chung ..... D14/188  
D316,550 S \* 4/1991 Sogabe ..... D14/168  
D326,655 S \* 6/1992 Iribe ..... D14/192  
5,247,293 A \* 9/1993 Nakagawa ..... G11B 15/023  
340/4.42  
D344,524 S \* 2/1994 Taniguchi ..... D14/205  
5,414,596 A \* 5/1995 Eaton ..... H01M 2/1005  
361/814  
5,460,347 A \* 10/1995 Schacher ..... B25H 3/00  
211/26.1  
D391,572 S \* 3/1998 Lee ..... D14/192  
6,122,369 A \* 9/2000 Hwang ..... H04M 1/6058  
379/420.03  
6,149,043 A \* 11/2000 Goto ..... G08B 3/1058  
224/272

(\*\*) Term: **15 Years**  
(21) Appl. No.: **29/601,720**  
(22) Filed: **Apr. 25, 2017**

(Continued)

*Primary Examiner* — Paula Allen Greene  
(74) *Attorney, Agent, or Firm* — Steven M. Koehler;  
Westman, Champlin & Koehler, P.A.

(30) **Foreign Application Priority Data**

Jan. 3, 2017 (CN) ..... 2017 3 0000994

(51) **LOC (11) Cl.** ..... **14-03**

(52) **U.S. Cl.**  
USPC ..... **D14/192; D14/205**

(58) **Field of Classification Search**  
USPC ..... D14/205, 223, 218, 240, 253, 192, 188,  
D14/168; 181/129, 130, 135; 379/430,  
379/431; 381/380, 381; 455/90.3, 575.1,  
455/569.1

CPC ..... H04R 1/10; H04R 25/00; H04R 1/1016;  
H04R 1/1066; H04R 5/033; H04R  
5/0335; H04R 1/1033; H04R 1/1091;  
H04R 1/20; H04R 1/02; A45F 5/00

See application file for complete search history.

(56) **References Cited**

**U.S. PATENT DOCUMENTS**

2,754,365 A \* 7/1956 Walters ..... H04R 1/225  
181/132  
3,049,582 A \* 8/1962 Shinn ..... H01R 4/70  
174/92

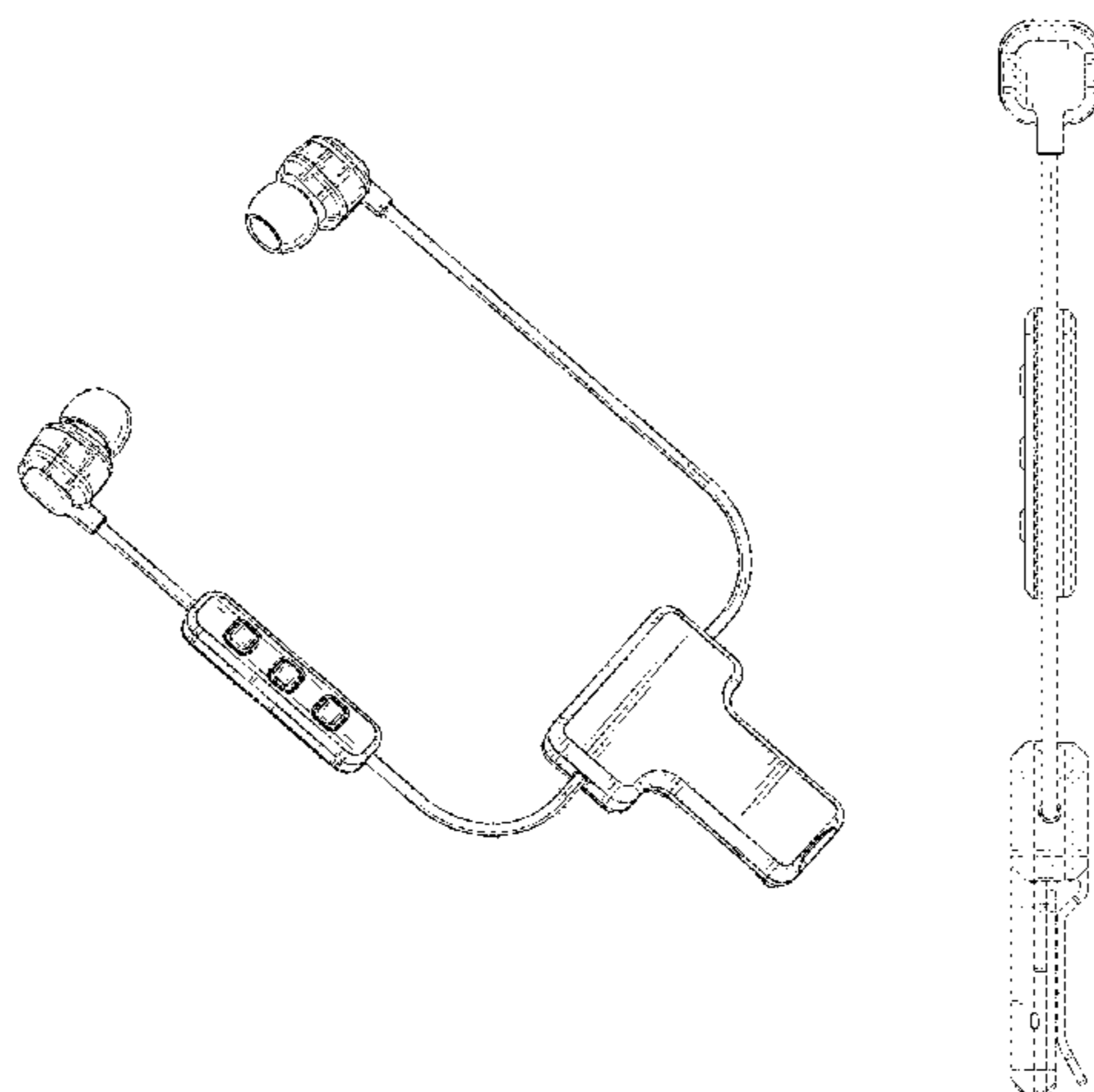
(57) **CLAIM**

The ornamental design for an in ear wireless headset, as shown and described.

**DESCRIPTION**

FIG. 1 is a perspective view of the in ear wireless headset. FIG. 2 is a front plan view of the in ear wireless headset. FIG. 3 is a back view of the in ear wireless headset. FIG. 4 is a right side view of the in ear wireless headset. FIG. 5 is a left side view of the in ear wireless headset. FIG. 6 is a top view of the in ear wireless headset. FIG. 7 is a bottom view of the in ear wireless headset; and, FIG. 8 is another perspective view of the in ear wireless headset.

**1 Claim, 8 Drawing Sheets**



(56)

References Cited

U.S. PATENT DOCUMENTS

D448,359 S \* 9/2001 Do ..... D14/223  
 D456,384 S \* 4/2002 Ng ..... D14/192  
 D461,787 S \* 8/2002 Brown ..... D14/192  
 6,438,248 B1 \* 8/2002 Kamimura ..... H04M 1/05  
 381/374  
 D467,240 S \* 12/2002 Ruohonen ..... D14/205  
 D473,217 S \* 4/2003 Rivera ..... D14/223  
 D498,743 S \* 11/2004 Robinson ..... D14/188  
 D500,487 S \* 1/2005 Concari ..... D14/188  
 D511,157 S \* 11/2005 Johnson ..... D14/223  
 D517,052 S \* 3/2006 Skulley ..... D14/223  
 D526,642 S \* 8/2006 Choe ..... D14/205  
 D554,627 S \* 11/2007 Gondo ..... D14/223  
 D558,740 S \* 1/2008 Jaakkola ..... D14/223  
 D561,739 S \* 2/2008 Ikeda ..... D14/206  
 D566,695 S \* 4/2008 Rath ..... D14/223  
 D567,216 S \* 4/2008 Densho ..... D14/205  
 D569,841 S \* 5/2008 Chung ..... D14/205  
 D588,584 S \* 3/2009 Park ..... D14/226  
 D590,371 S \* 4/2009 Leinvuo ..... D14/205  
 D603,378 S \* 11/2009 Paradise ..... D14/223  
 D605,168 S \* 12/2009 Jaakkola ..... D14/205  
 D606,739 S \* 12/2009 Fahrendorff ..... D3/218

D607,898 S \* 1/2010 Lee ..... D14/203.3  
 D614,166 S \* 4/2010 Brickstad ..... D14/205  
 D618,671 S \* 6/2010 Hou ..... D14/217  
 D625,294 S \* 10/2010 Wada ..... D14/218  
 D635,125 S \* 3/2011 Nousiainen ..... D14/223  
 D636,756 S \* 4/2011 Fahrendorff ..... D14/205  
 D638,409 S \* 5/2011 Walter ..... D14/223  
 D658,157 S \* 4/2012 McManigal ..... D14/205  
 D659,673 S \* 5/2012 Fahrendorff ..... D14/205  
 D682,256 S \* 5/2013 Murchison ..... D14/223  
 D682,808 S \* 5/2013 Fletcher ..... D14/205  
 D685,750 S \* 7/2013 Nakagawa ..... D13/168  
 D698,750 S \* 2/2014 Yoon ..... D14/205  
 D710,334 S \* 8/2014 Yang ..... D14/223  
 D711,858 S \* 8/2014 Yang ..... D14/223  
 D716,268 S \* 10/2014 Yamamoto ..... D14/218  
 D716,274 S \* 10/2014 Henning ..... D14/223  
 D719,550 S \* 12/2014 Yang ..... D14/223  
 D739,852 S \* 9/2015 Jiang ..... D14/240  
 D742,354 S \* 11/2015 McNamara ..... D14/205  
 D772,040 S \* 11/2016 Grant ..... D8/354  
 D780,155 S \* 2/2017 Levine ..... D14/205  
 D782,442 S \* 3/2017 Chen ..... D14/205  
 D812,038 S \* 3/2018 Nakajima ..... D14/205  
 2008/0032737 A1 \* 2/2008 Liu ..... H04M 1/72522  
 455/556.1

\* cited by examiner

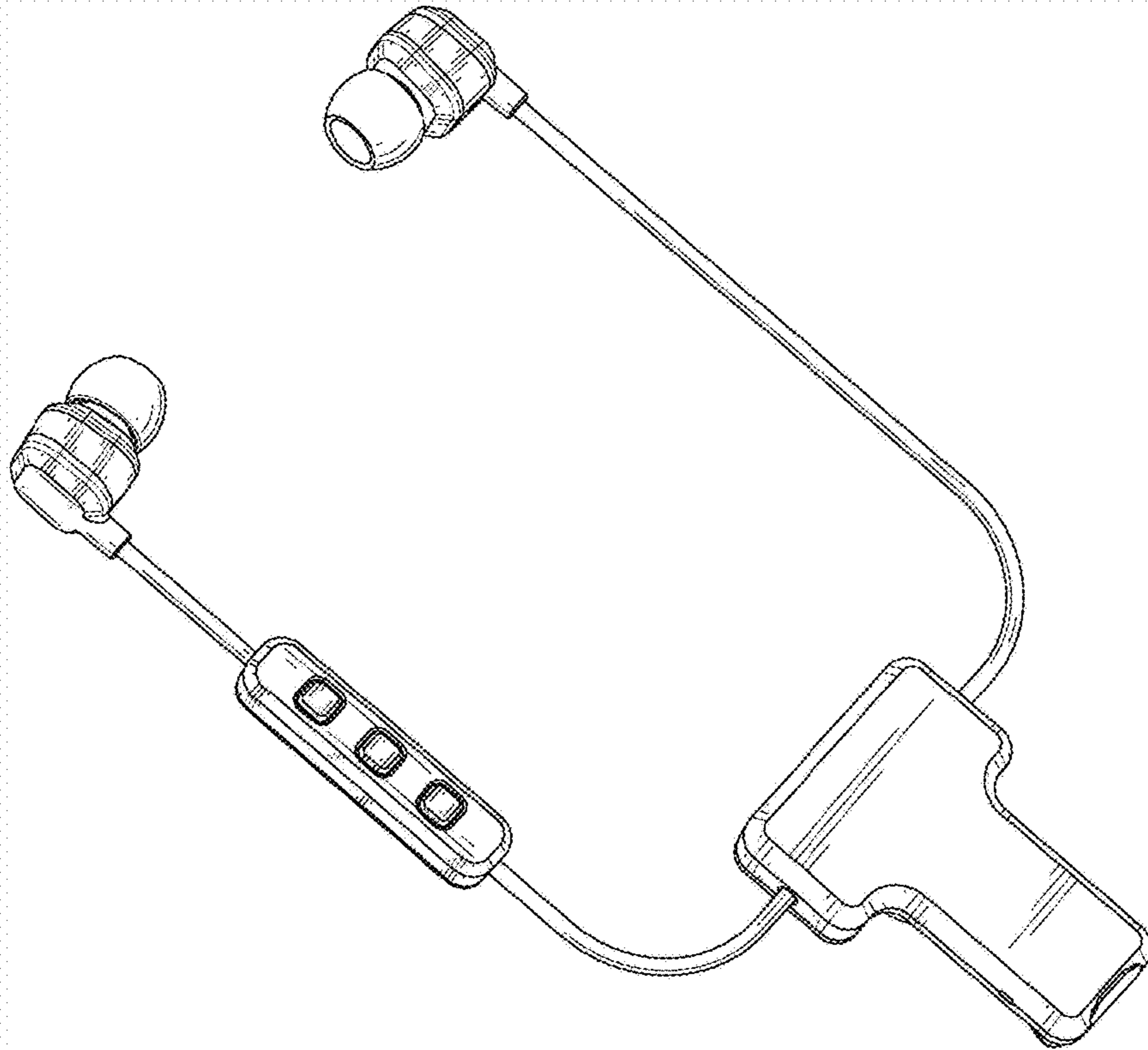


FIG. 1

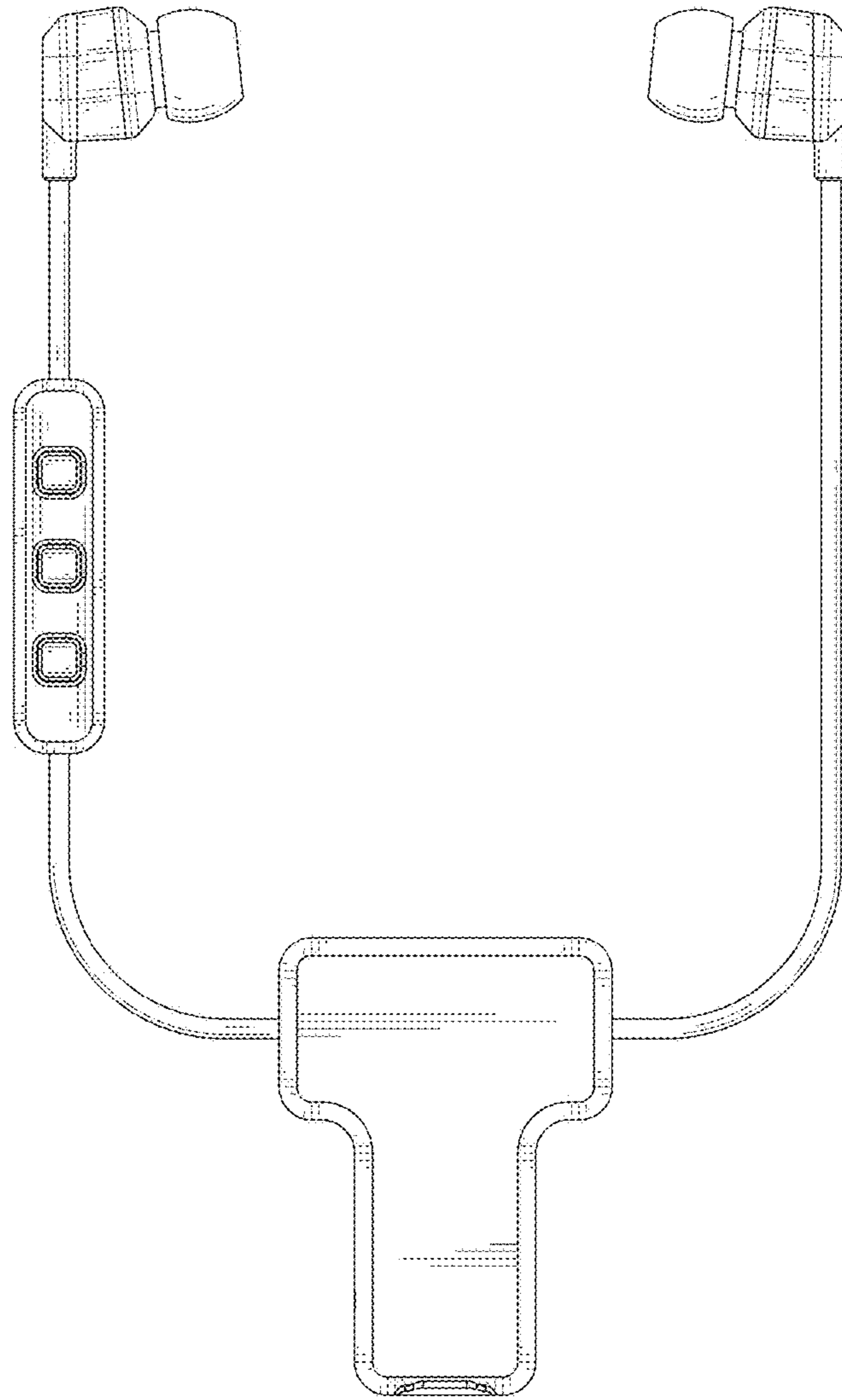


FIG. 2

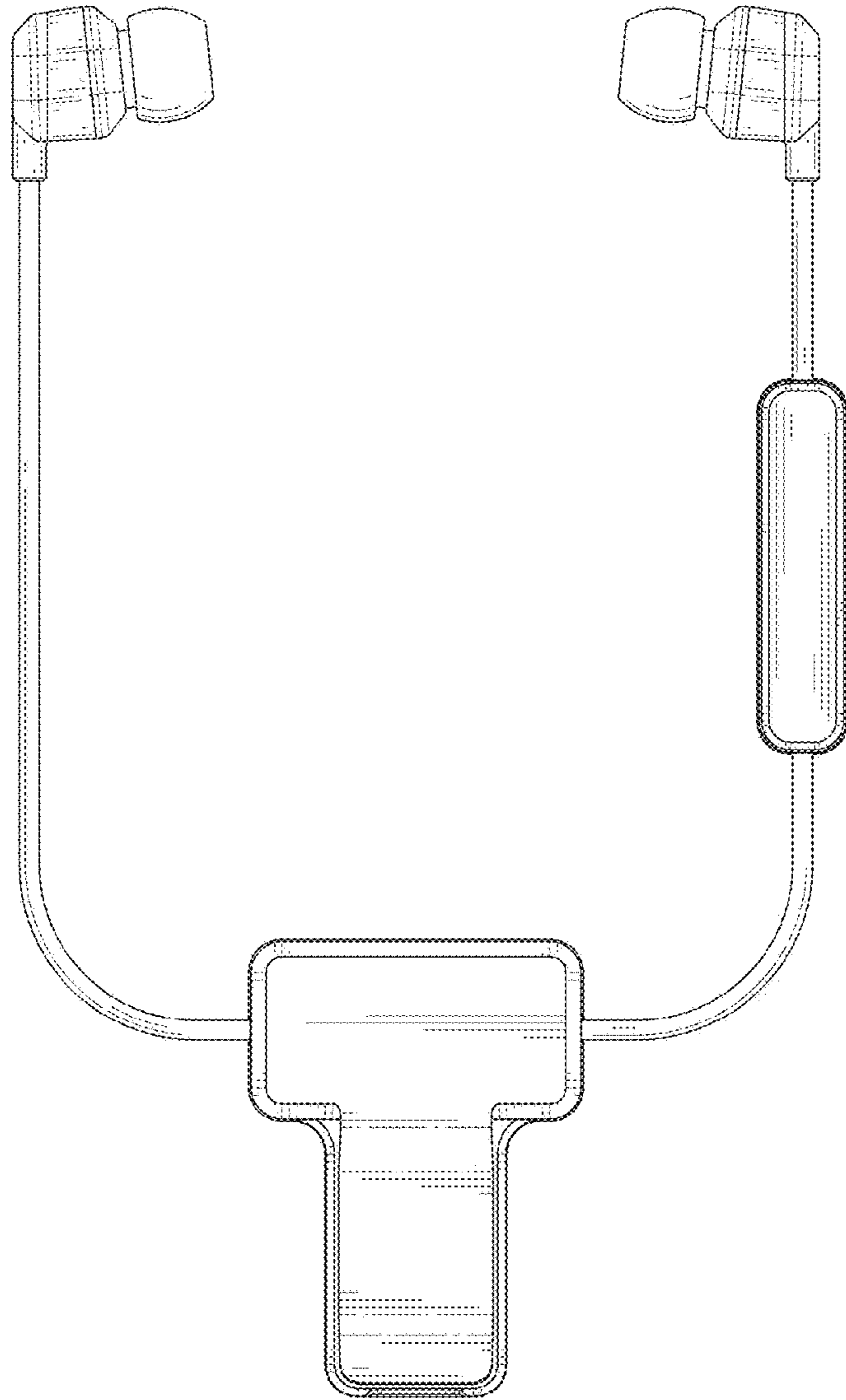


FIG. 3

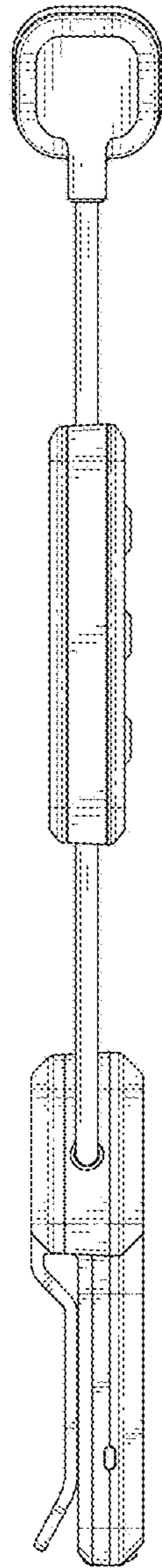


FIG. 4

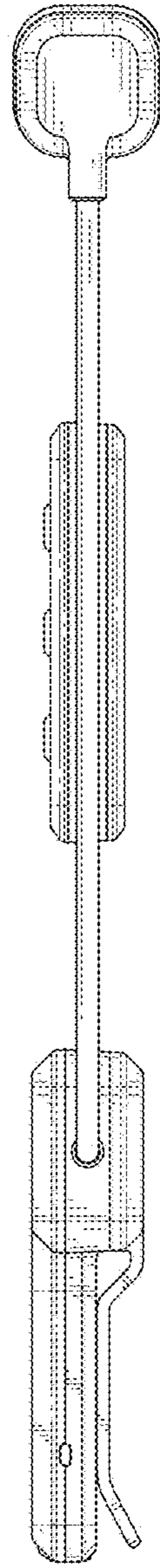


FIG. 5

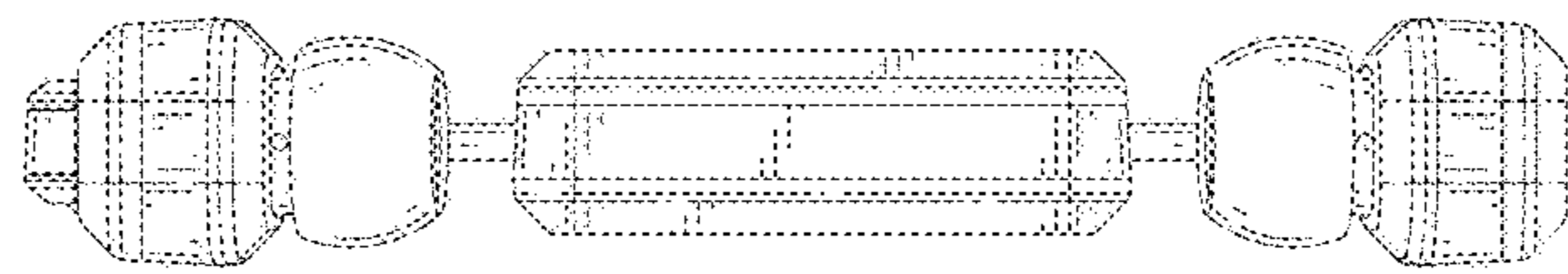


FIG. 6



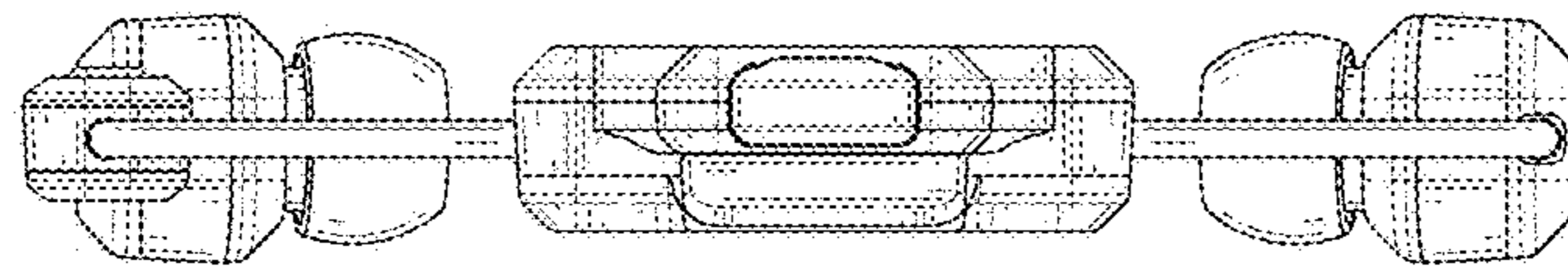


FIG. 7

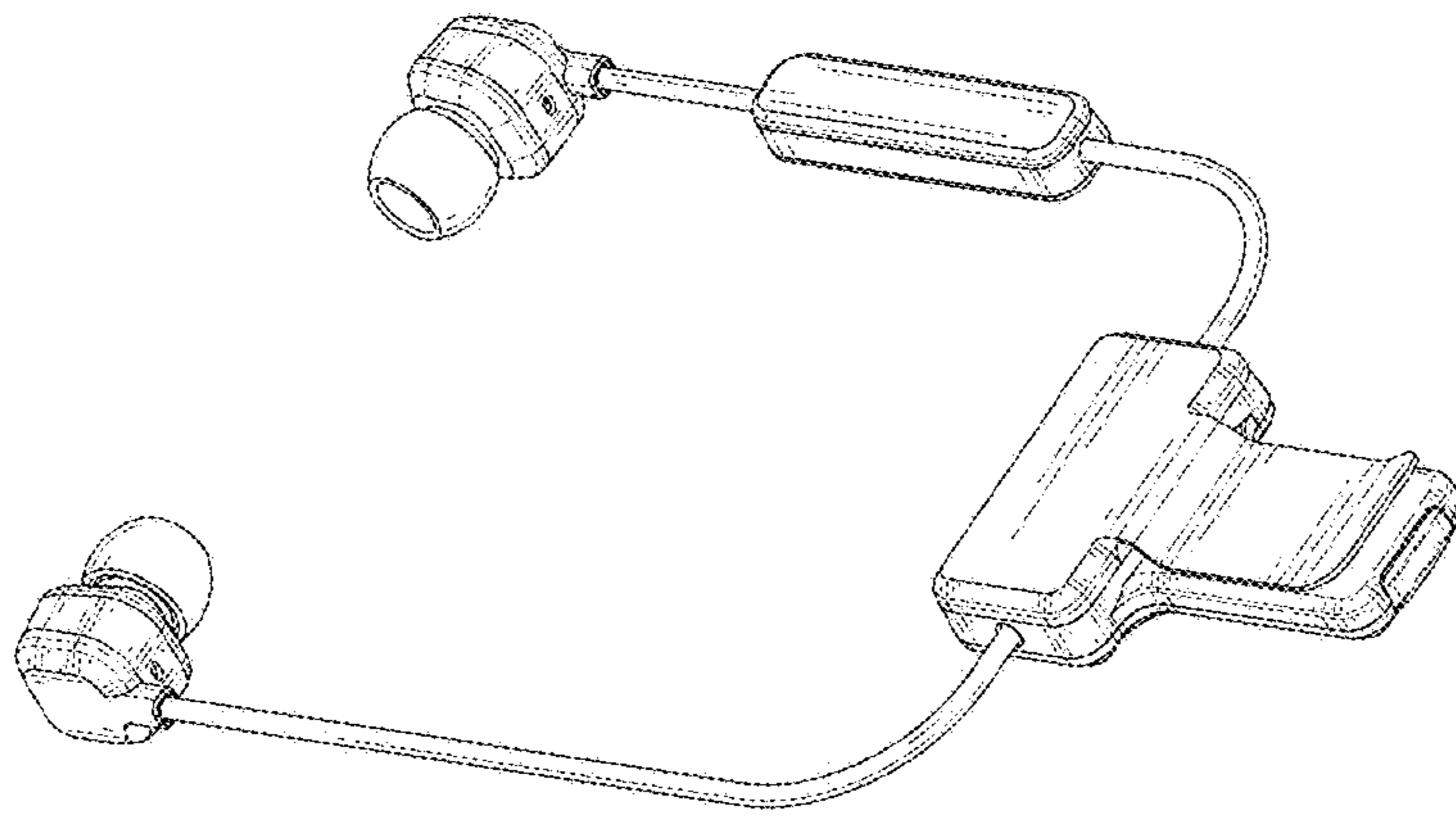


FIG. 8