



US00D839846S

(12) **United States Design Patent** (10) **Patent No.:** **US D839,846 S**
Altonen et al. (45) **Date of Patent:** **** Feb. 5, 2019**

(54) **CONTROL MODULE**
(71) Applicant: **Lutron Electronics Co., Inc.**,
Coopersburg, PA (US)
(72) Inventors: **Gregory Altonen**, Easton, PA (US);
Nicholas R. Baer, Emmaus, PA (US);
Jason C. Killo, Emmaus, PA (US);
Noel Mayo, Philadelphia, PA (US);
Sean R. Pearson, Allentown, PA (US)
(73) Assignee: **Lutron Electronics Co., Inc.**,
Coopersburg, PA (US)
(**) Term: **15 Years**

5,475,192 A * 12/1995 Inagaki H01H 13/705
200/341
6,100,484 A * 8/2000 Houze H01H 13/70
200/284
D464,329 S * 10/2002 Mainiero D13/169
D533,846 S * 12/2006 Burton D13/171
D562,779 S * 2/2008 Lamoree D13/171
7,470,869 B2 * 12/2008 Lin H01H 13/12
200/314
D613,669 S * 4/2010 Collins D12/345
8,494,663 B2 * 7/2013 Lamoree B64D 11/003
200/17 R
D687,366 S * 8/2013 Fujino D12/345
D703,496 S * 4/2014 Arcati D13/171
D752,224 S * 3/2016 Park D24/158
D777,687 S * 1/2017 Seidl D13/171
9,561,853 B2 * 2/2017 Fujino B64D 11/02

(Continued)

(21) Appl. No.: **29/601,961**
(22) Filed: **Apr. 27, 2017**
(51) **LOC (11) Cl.** **13-03**
(52) **U.S. Cl.**
USPC **D13/171**
(58) **Field of Classification Search**
USPC D13/162, 171, 173, 174
CPC H01H 3/02; H01H 3/022; H01H 3/12;
H01H 3/122; H01H 9/02; H01H 9/0235;
H01H 13/023; H01H 13/04; H01H 13/06;
H01H 13/063; H01H 13/10; H01H 13/12;
H01H 13/14; H01H 13/36; H01H 13/64;
H01H 13/70; H01H 13/86; H01H 21/24;
H01H 25/065; H01H 23/00; A47C 7/506
See application file for complete search history.

Primary Examiner — Selina Sikder
(74) *Attorney, Agent, or Firm* — Saidman DesignLaw
Group, LLC

(57) **CLAIM**

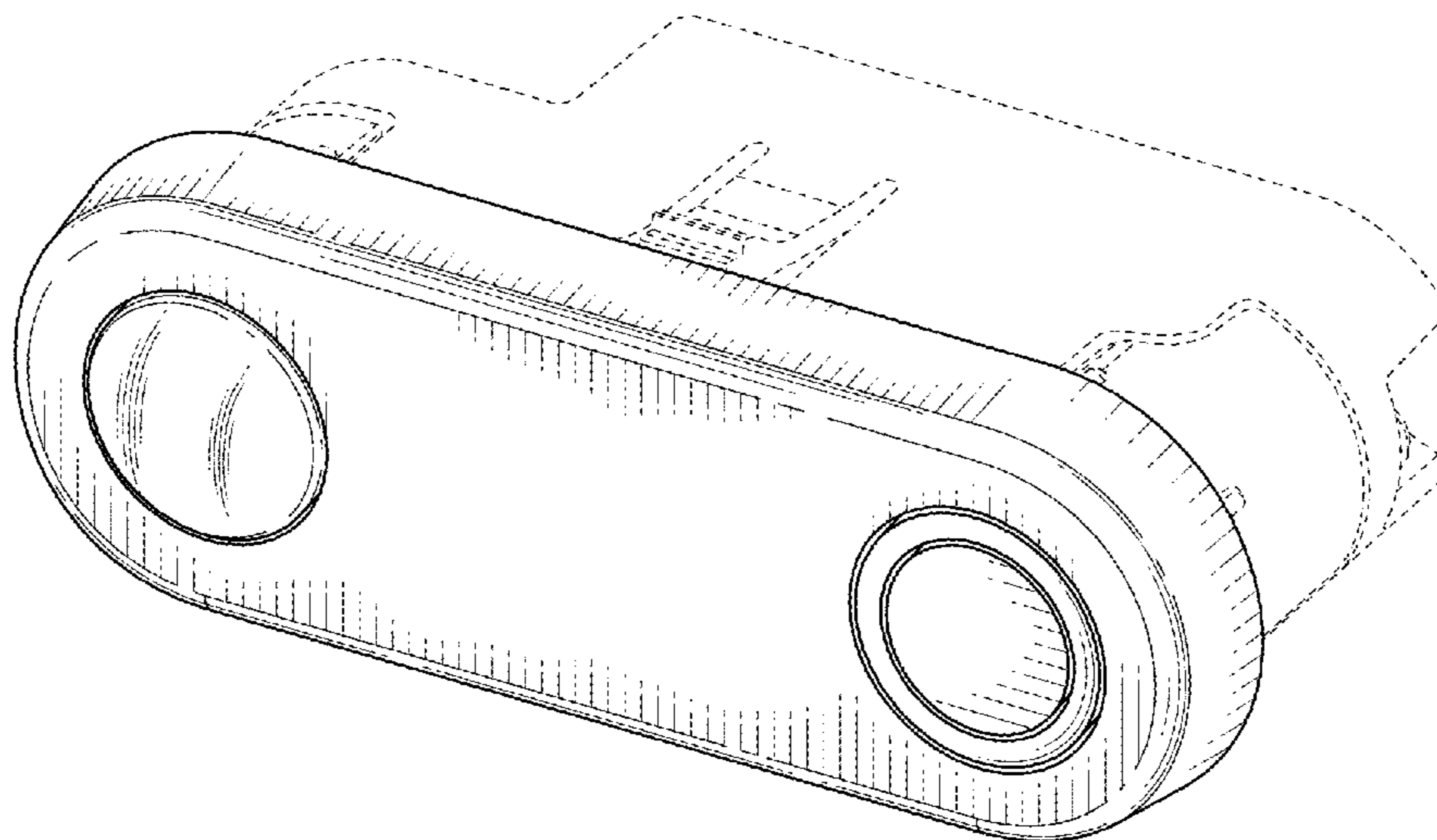
The ornamental design for a control module, to be applied to a lighting fixture, as shown and described.

DESCRIPTION

FIG. 1 is a perspective view of a control module, to be applied to a lighting fixture, showing our new design; FIG. 2 is a front view thereof; FIG. 3 is a rear view thereof; FIG. 4 is a left side view thereof; FIG. 5 is a right side view thereof; FIG. 6 is a top view thereof; and, FIG. 7 is a bottom view thereof. The broken lines illustrate structure or features which form no part of the claimed design. The drawings include surface shading which represents contour and not surface ornamentation.

(56) **References Cited**
U.S. PATENT DOCUMENTS
D205,357 S * 7/1966 Stevenson D13/171
4,388,503 A * 6/1983 Penland H01H 13/64
200/5 R
D310,202 S * 8/1990 Suck D13/164
D339,543 S * 9/1993 Martin D10/108

1 Claim, 3 Drawing Sheets



(56)

References Cited

U.S. PATENT DOCUMENTS

2010/0270138 A1* 10/2010 Yamanaka H01H 13/7057
200/341
2010/0300859 A1* 12/2010 Prest H01H 13/705
200/5 A
2016/0314915 A1* 10/2016 Chen H01H 13/06
2017/0178833 A1* 6/2017 Mizuno H01H 13/06

* cited by examiner

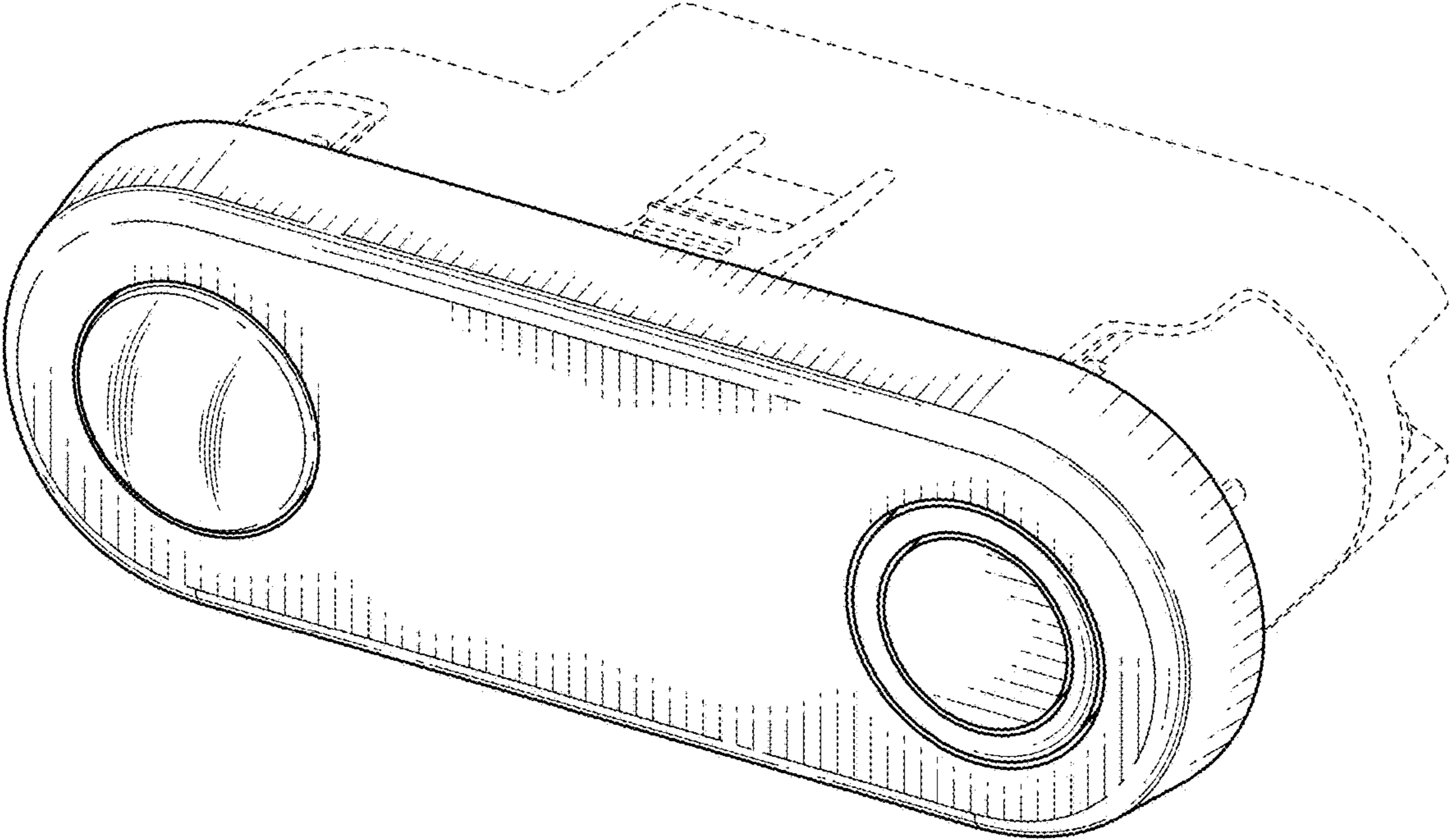


FIG. 1

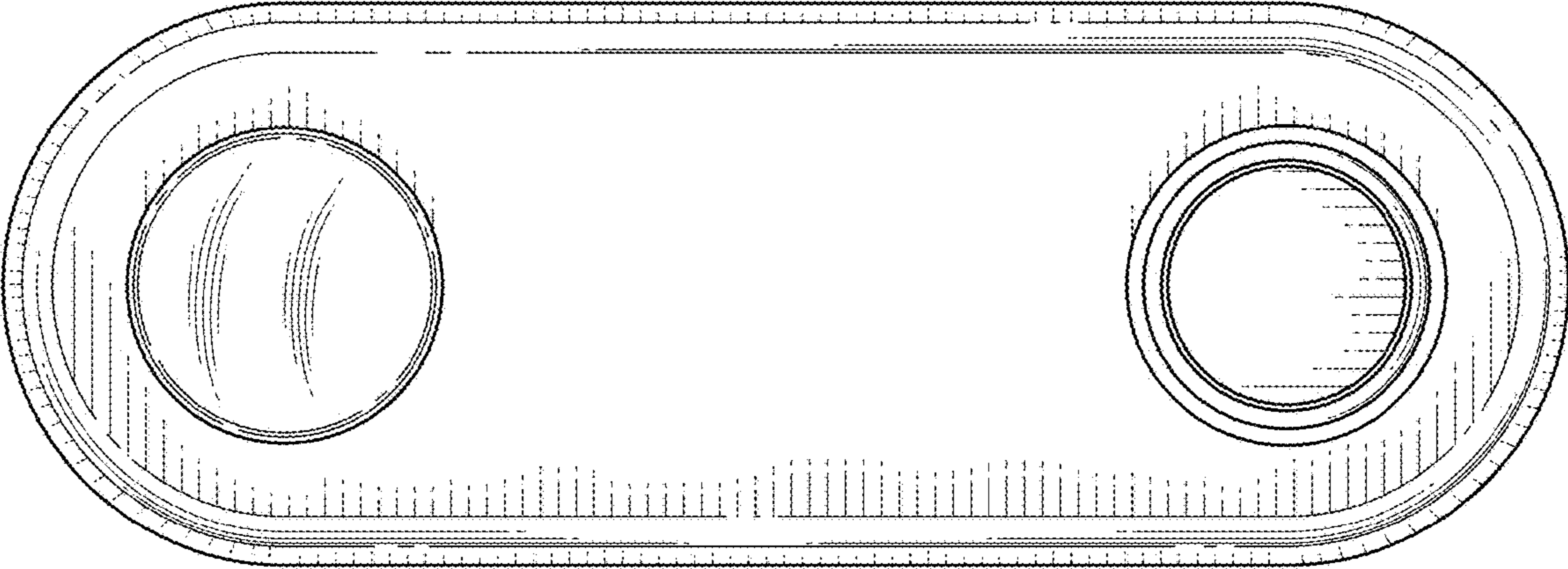


FIG. 2

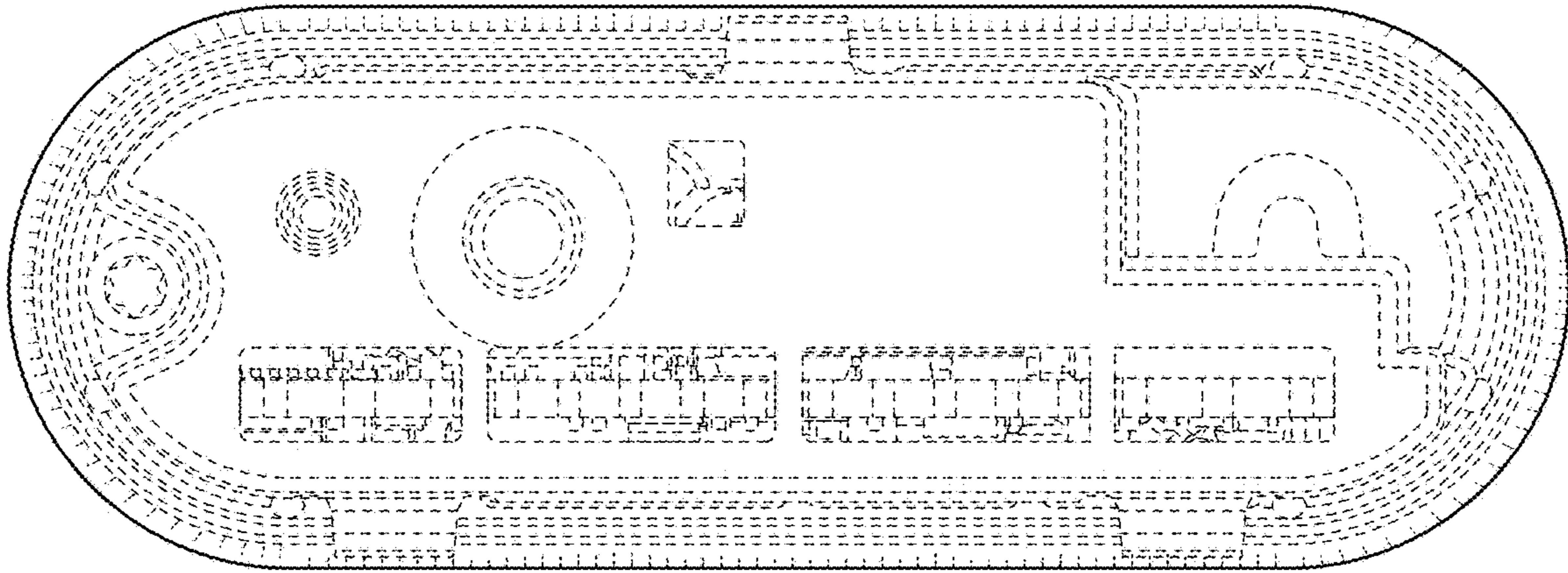


FIG. 3

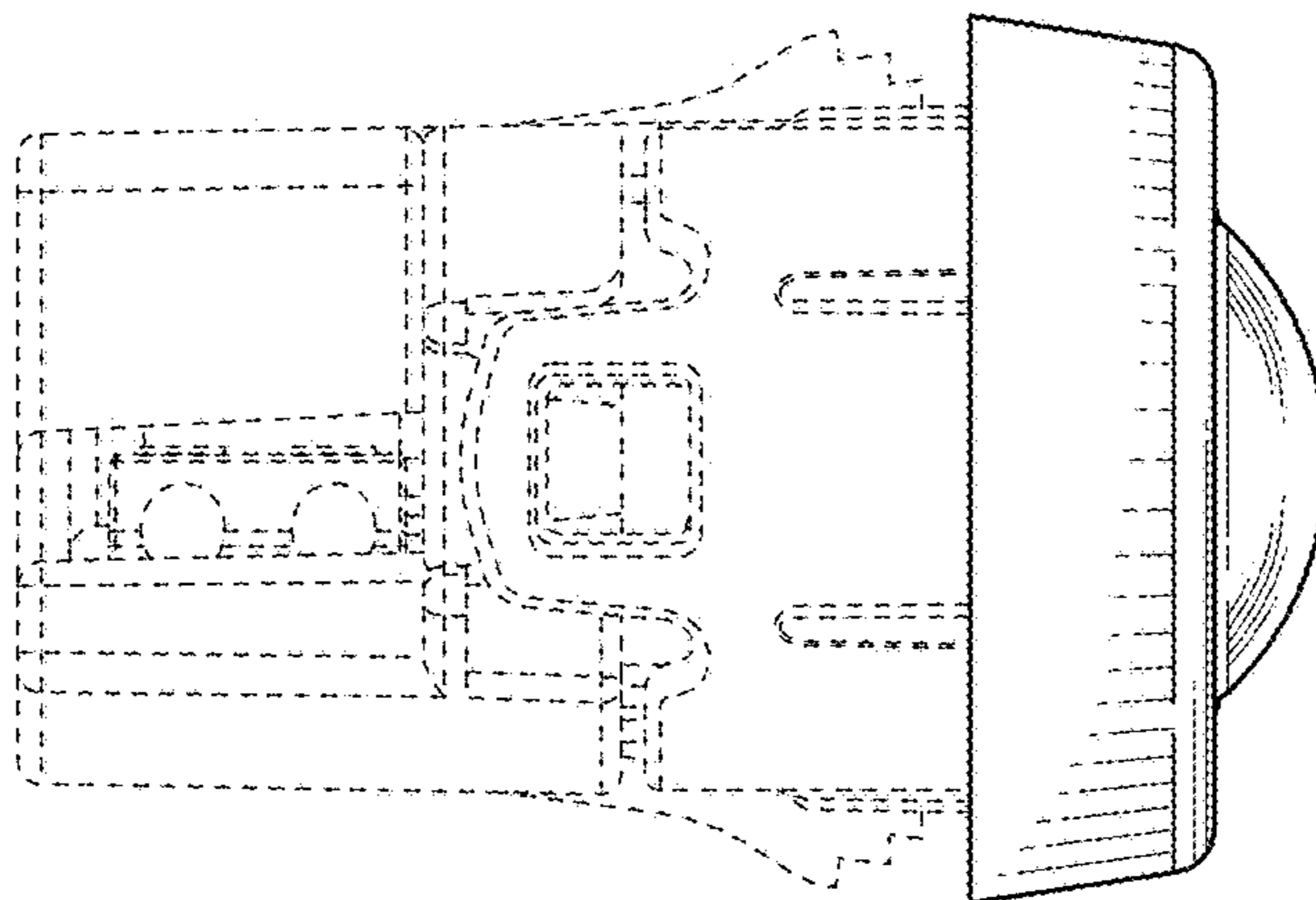


FIG. 4

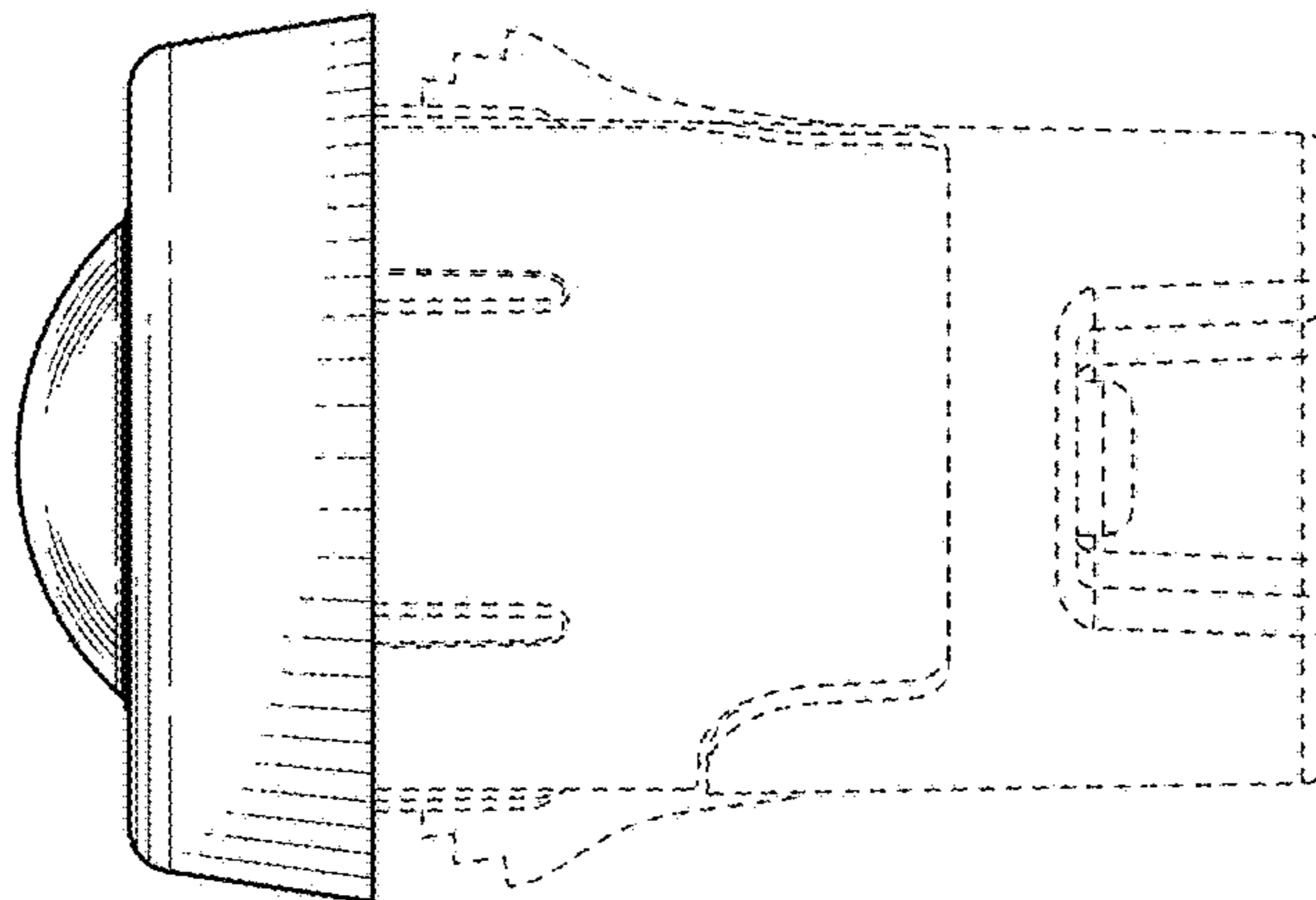


FIG. 5

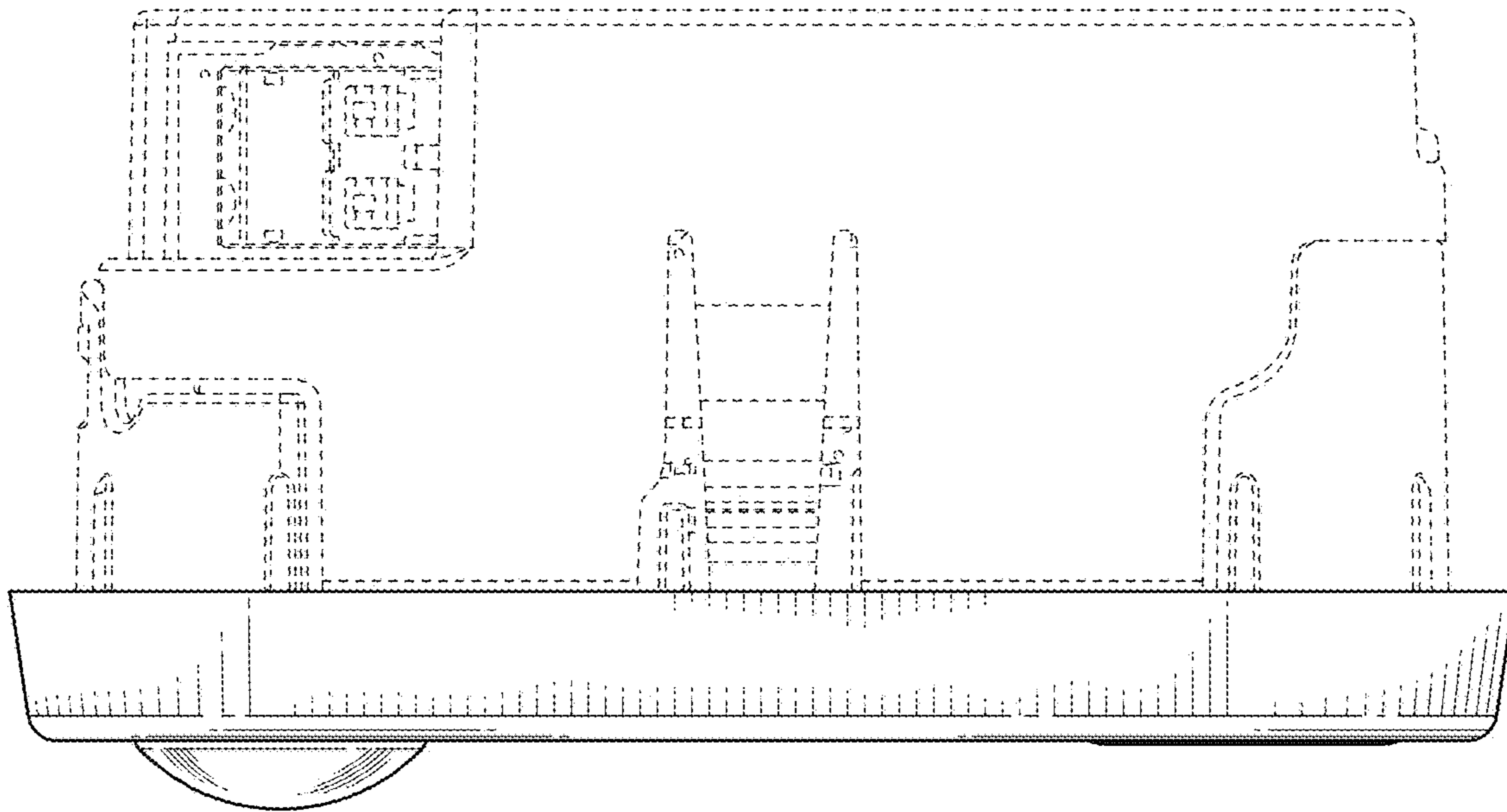


FIG. 6

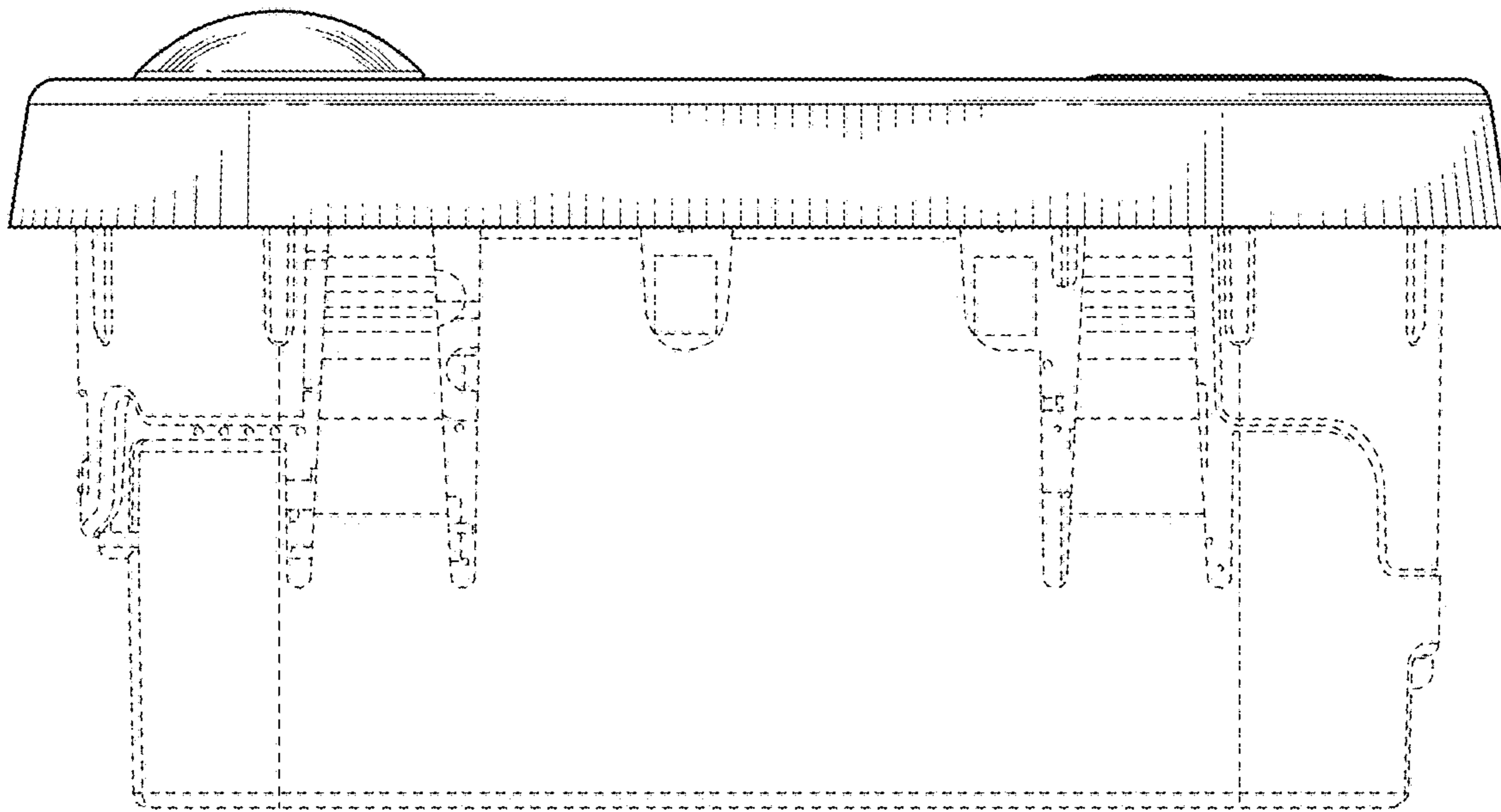


FIG. 7