



US00D839843S

(12) **United States Design Patent** (10) **Patent No.:** **US D839,843 S**
Seidl et al. (45) **Date of Patent:** **** *Feb. 5, 2019**

(54) **SWITCH**
(71) Applicant: **Raffel Systems, LLC**, Germantown, WI (US)
(72) Inventors: **Kenneth G. Seidl**, Port Washington, WI (US); **Paul Li**, Milwaukee, WI (US)
(73) Assignee: **Raffel Systems, LLC**, Germantown, WI (US)
(*) Notice: This patent is subject to a terminal disclaimer.
(**) Term: **15 Years**
(21) Appl. No.: **29/619,215**
(22) Filed: **Sep. 27, 2017**
(51) **LOC (11) Cl.** **13-03**
(52) **U.S. Cl.**
USPC **D13/162; D13/171**
(58) **Field of Classification Search**
USPC D13/162, 164, 171, 173, 174
CPC H01H 3/02; H01H 3/022; H01H 3/12; H01H 3/122; H01H 9/02; H01H 9/0235; H01H 13/023; H01H 13/04; H01H 13/06; H01H 13/063; H01H 13/10; H01H 13/12; H01H 13/14; H01H 13/36; H01H 13/70; H01H 13/86; H01H 21/24; H01H 25/065; A47C 1/0345; A47C 1/035; A47C 7/506
See application file for complete search history.

(56) **References Cited**
U.S. PATENT DOCUMENTS
D305,018 S 12/1989 Pena et al.
D305,019 S 12/1989 Pena et al.
5,362,932 A 11/1994 Inagaki et al.
6,800,819 B2 10/2004 Sato et al.
6,841,748 B2 1/2005 Serizawa et al.

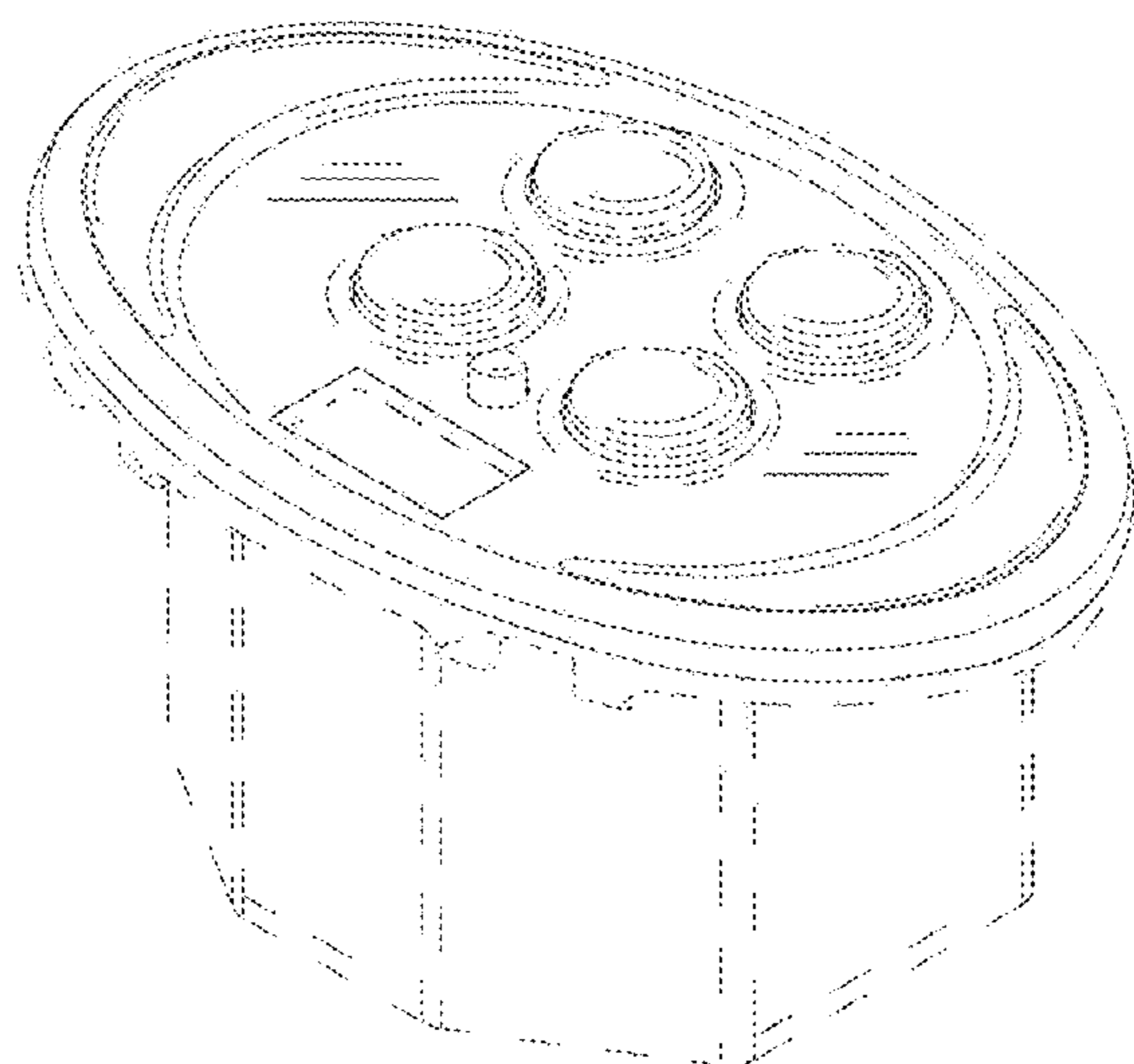
7,087,847 B2 8/2006 Parkinson et al.
D534,870 S 1/2007 Metschen et al.
D571,308 S 6/2008 Gastelum et al.
D607,852 S 1/2010 Riede
D689,825 S * 9/2013 Wenji D13/162
8,766,115 B2 7/2014 Kristen
8,884,175 B2 * 11/2014 Botez H01H 21/18
200/341
D720,305 S 12/2014 Wenji
D733,078 S 6/2015 Wu
D739,361 S 9/2015 Wenji
D740,238 S 10/2015 Dorn et al.
D740,763 S * 10/2015 Wenji D13/162
D748,590 S 2/2016 Dorn et al.
D758,325 S 6/2016 Cook et al.
D758,326 S * 6/2016 Dorn D13/174
D758,975 S 6/2016 Hunter et al.
D777,688 S * 1/2017 Seidl D13/171
D782,987 S 4/2017 Gassner
D786,805 S * 5/2017 Anderson D13/174
9,640,343 B2 * 5/2017 Koch H01H 9/0207
(Continued)

Primary Examiner — Selina Sikder
(74) *Attorney, Agent, or Firm* — Casimir Jones S.C.; Tyler J. Sisk

(57) **CLAIM**
The ornamental design for a switch, as shown and described.

DESCRIPTION
FIG. 1 is a three-quarter perspective view showing our new design of a switch;
FIG. 2 is a front elevational view thereof,
FIG. 3 is a rear elevational view being thereof;
FIG. 4 is a left side elevational view thereof,
FIG. 5 is a right side elevational view thereof,
FIG. 6 is a top plan view thereof; and,
FIG. 7 is a bottom plan view thereof.
The broken lines shown in FIGS. 1 through 7 are for the purpose of illustrating environment, and form no part of the claimed design.

1 Claim, 7 Drawing Sheets



(56)

References Cited

U.S. PATENT DOCUMENTS

D788,719 S *	6/2017	Li	D13/171
9,804,632 B2 *	10/2017	Gassner	G05G 1/02
D817,898 S	5/2018	Seidl et al.	
D821,986 S	7/2018	Seidl et al.	
2011/0198894 A1 *	8/2011	Hsieh	A47C 1/0242
			297/68
2014/0353134 A1 *	12/2014	Muller	H01H 3/20
			200/5 A

* cited by examiner

FIG. 1

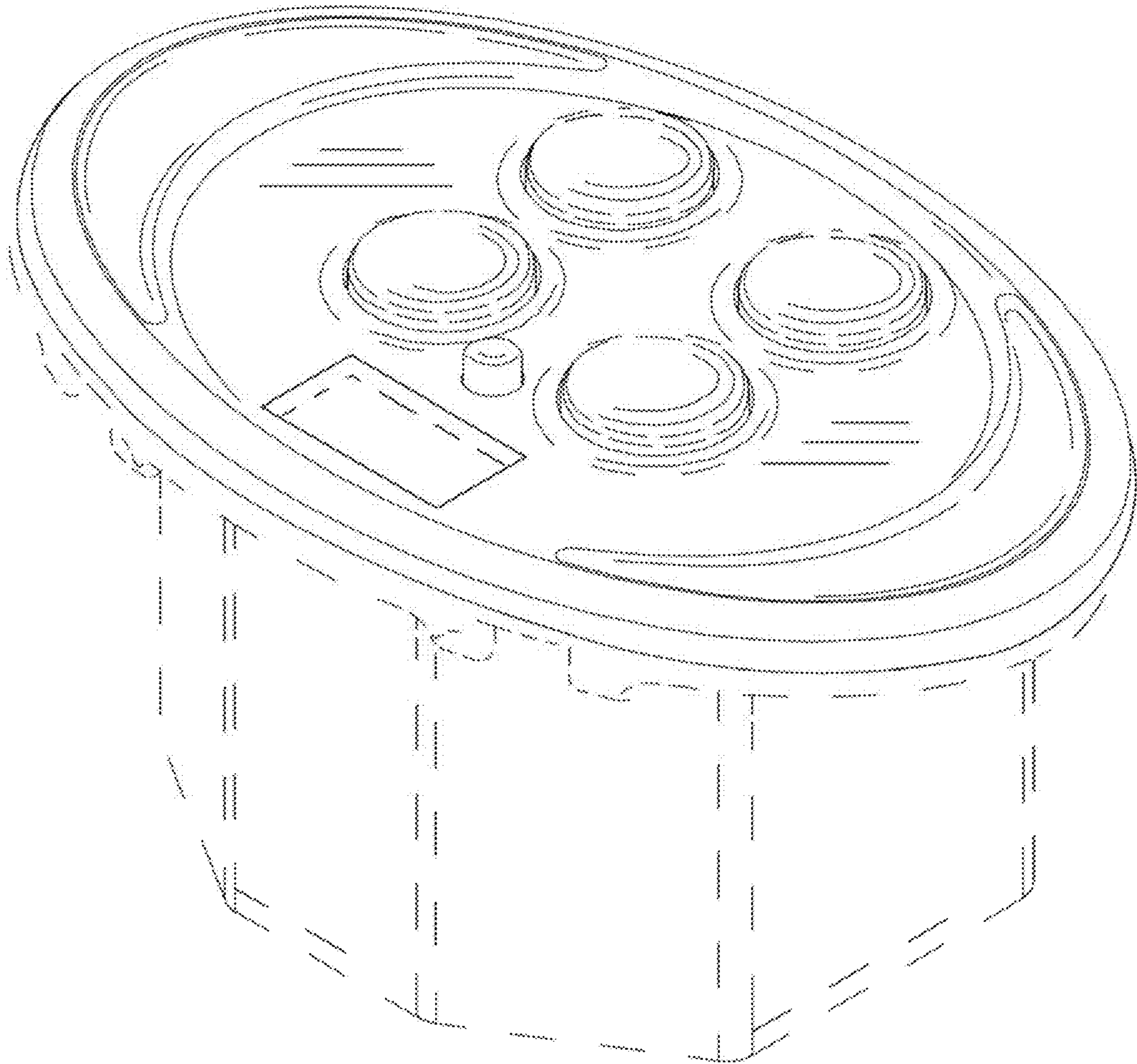


FIG. 2

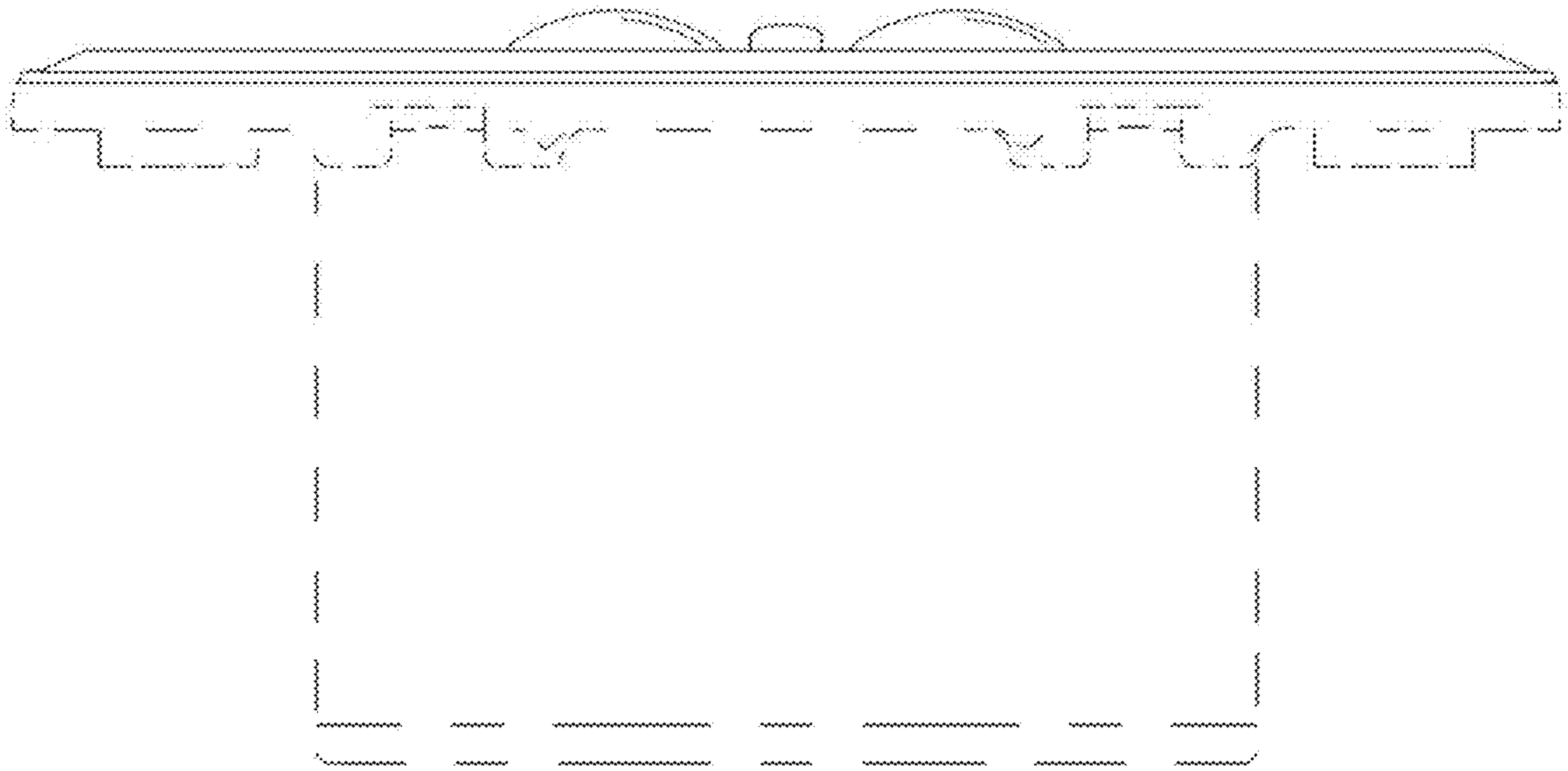


FIG. 3

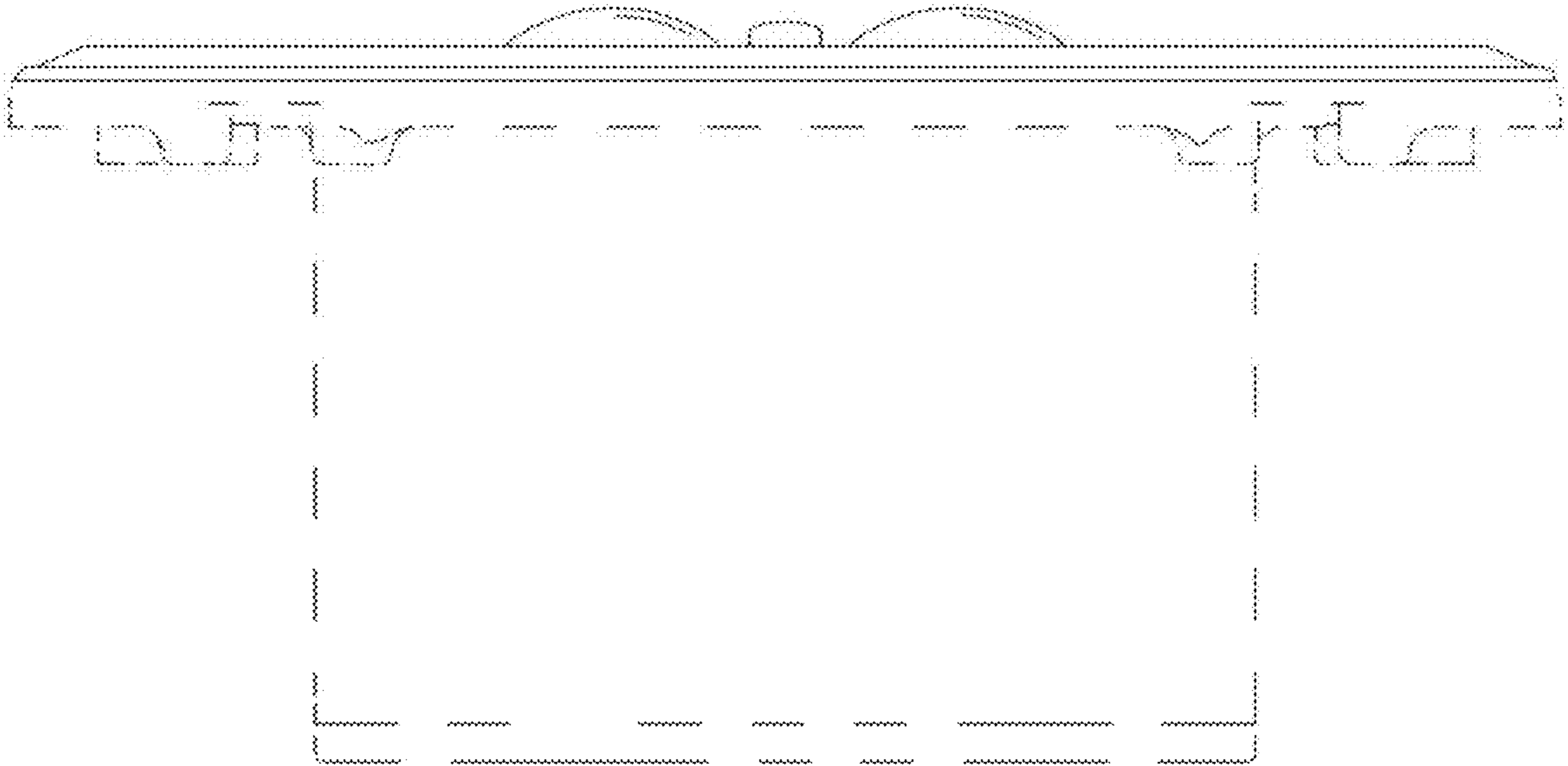


FIG. 4

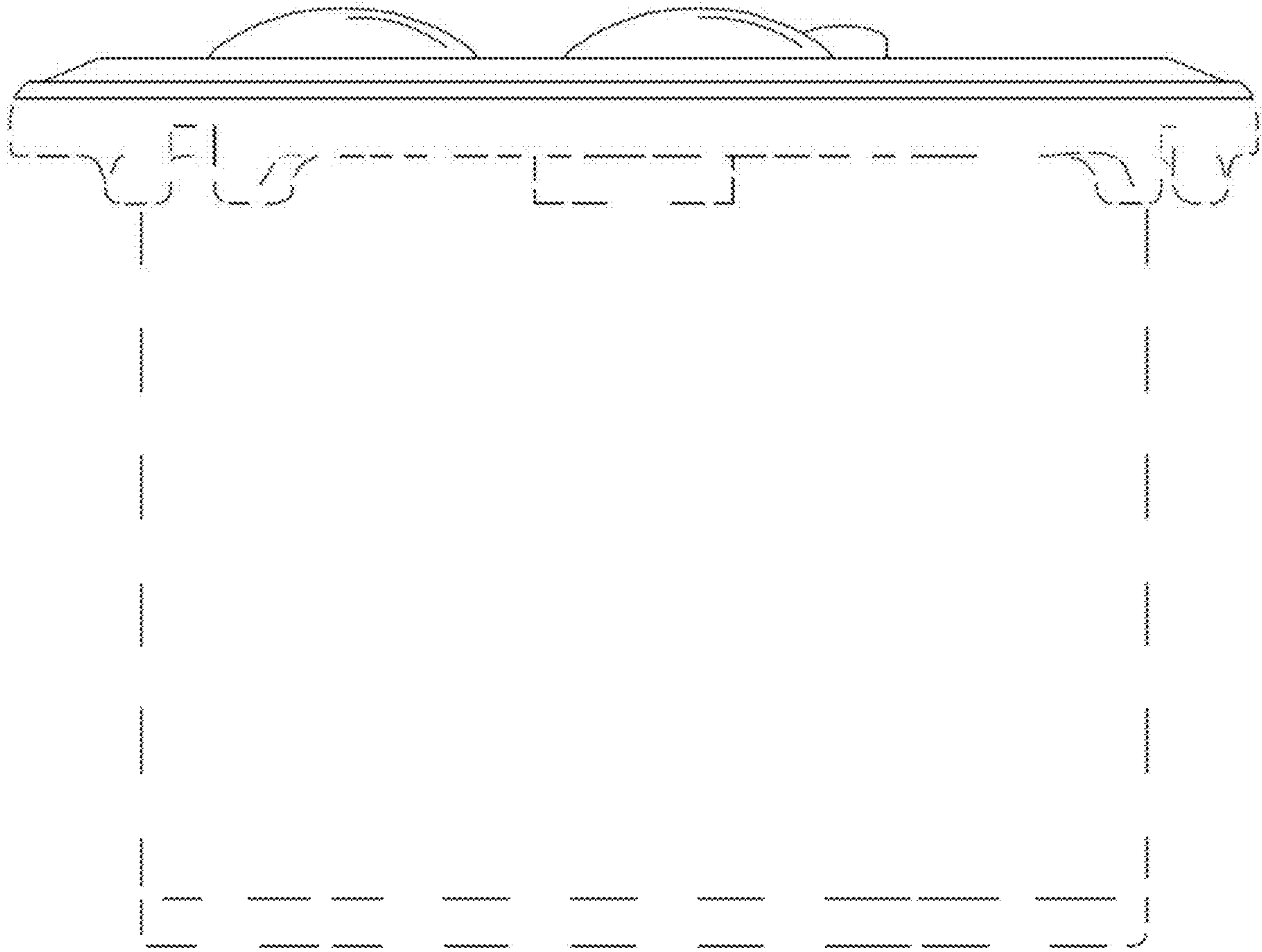


FIG. 5

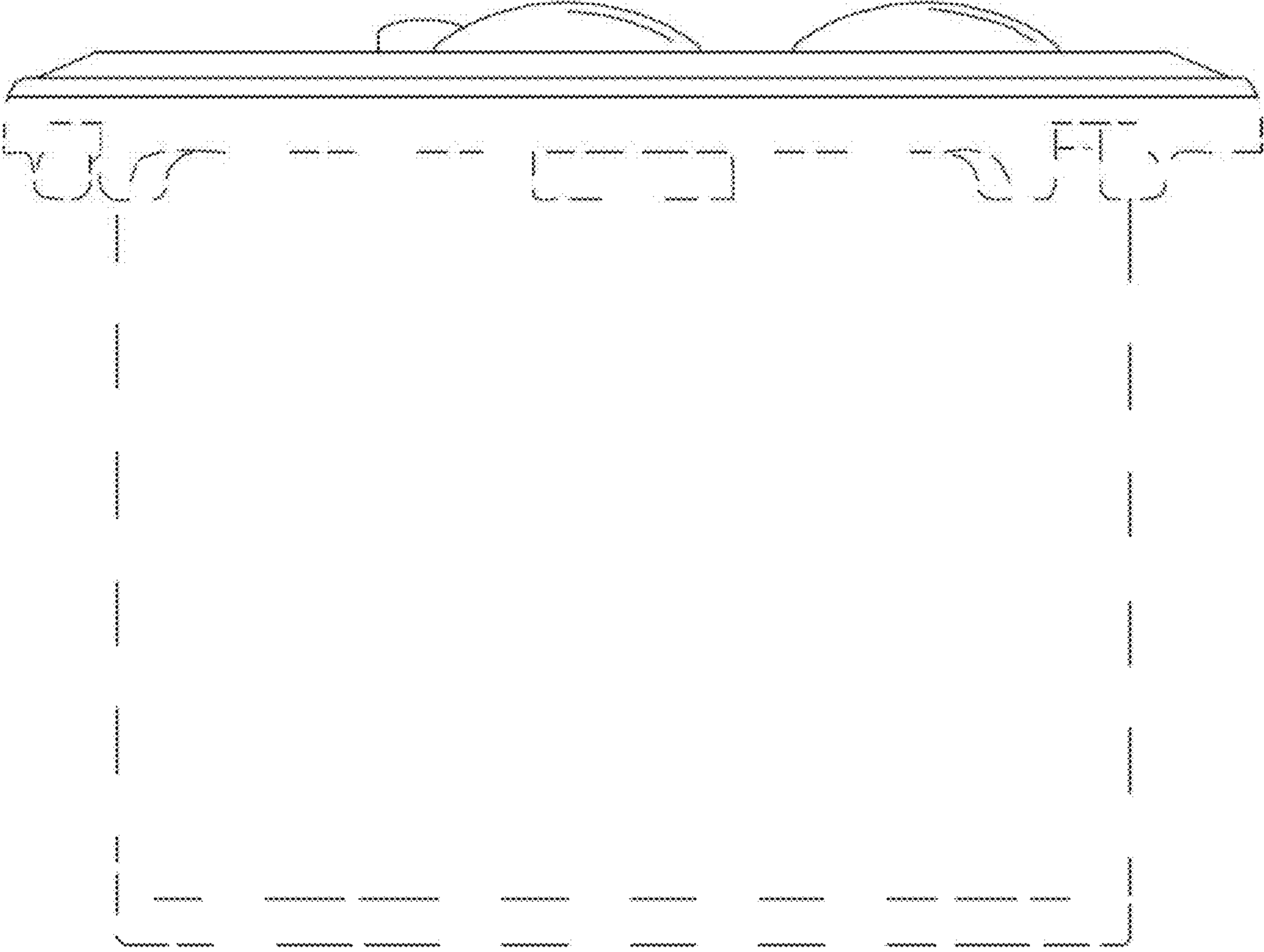


FIG.6

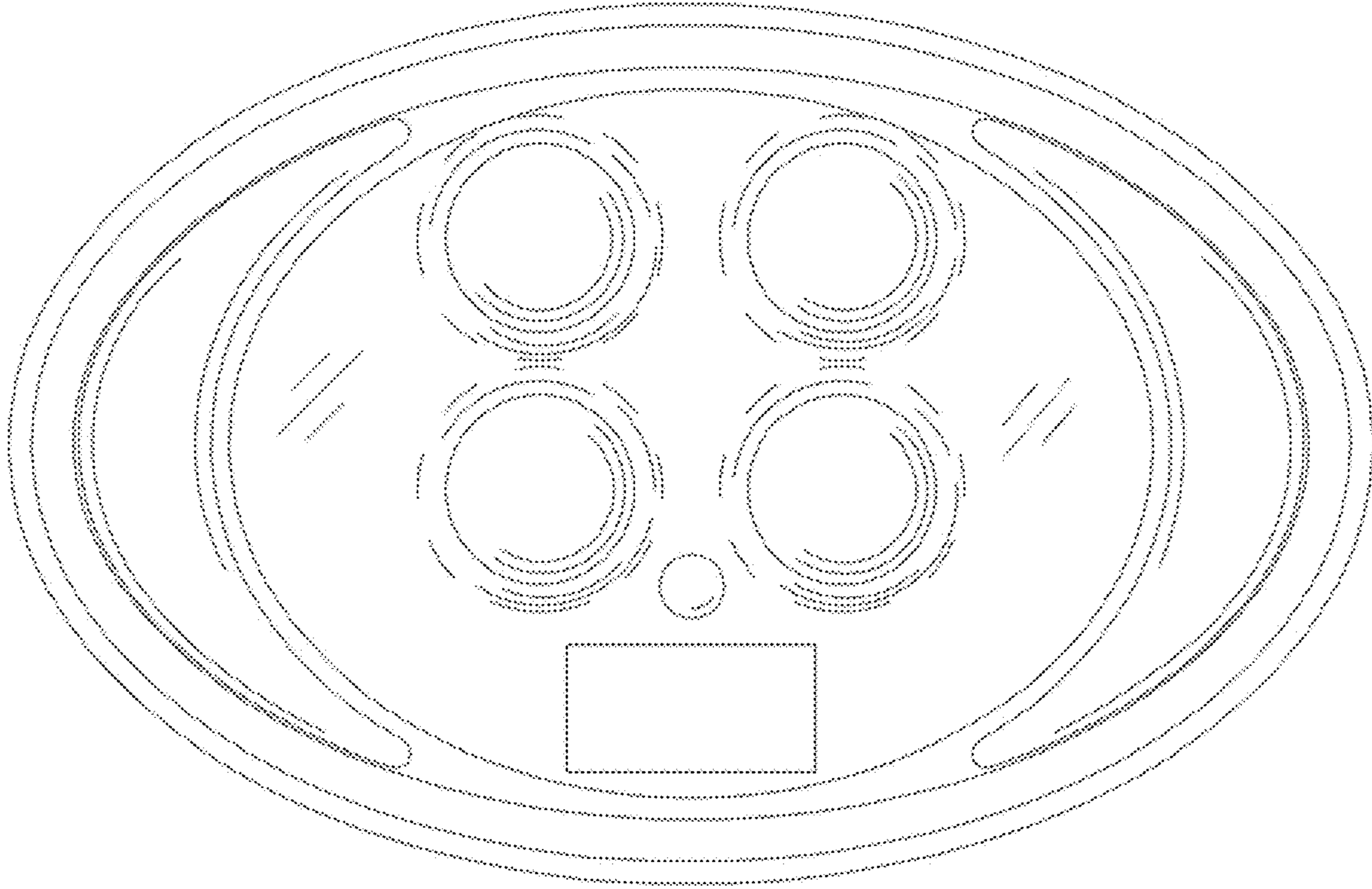


FIG. 7

