



US00D839841S

(12) **United States Design Patent** (10) **Patent No.:** **US D839,841 S**
Choi (45) **Date of Patent:** **** Feb. 5, 2019**

(54) **DIGITAL MOTOR PROTECTION RELAY**

(71) Applicant: **LSIS CO., LTD.**, Anyang-si,
Gyeonggi-do (KR)

(72) Inventor: **Minho Choi**, Anyang-si (KR)

(73) Assignee: **LSIS CO., LTD.**, Anyang-si,
Gyeonggi-Do (KR)

(**) Term: **15 Years**

(21) Appl. No.: **29/618,187**

(22) Filed: **Sep. 19, 2017**

(30) **Foreign Application Priority Data**

Mar. 20, 2017 (KR) 30-2017-0012832

(51) **LOC (11) Cl.** **13-03**

(52) **U.S. Cl.**
USPC **D13/159**

(58) **Field of Classification Search**
USPC D13/110, 112, 122, 123, 156, 158-162.1,
D13/173, 177, 178, 184, 199; D10/50,
D10/99, 100

CPC H01H 9/00; H01H 71/00; H01H 71/02;
H01H 71/12; H01H 1/06; H01H 1/20;
H01H 3/32; H01H 9/02; H01H 9/28;
H01H 21/04; H01H 21/22; H01H 33/02;
H01H 33/08; H01H 33/10; H01H 33/18;
H01H 36/00; H01H 47/00; H01H 50/14;
H01H 50/16; H01H 50/44; H05K 7/00;
H05K 7/14; H05K 7/18; H05K 7/20;
H01R 4/26; H01R 4/48; H01R 25/00;
H02H 6/00; H02H 7/00

See application file for complete search history.

(56) **References Cited**

U.S. PATENT DOCUMENTS

D435,471 S * 12/2000 Simbeck D10/99
D608,296 S * 1/2010 Shin D13/159

D683,706 S * 6/2013 Kangas D13/159
D692,397 S * 10/2013 Liu D13/162.1
D695,235 S * 12/2013 Liu D13/162.1
D719,105 S * 12/2014 Shin D13/159
D795,254 S * 8/2017 Ishida D14/125
D804,624 S * 12/2017 Dent D23/342
2018/0129194 A1 * 5/2018 Larson G05B 23/0205

OTHER PUBLICATIONS

EE Publishers; Electronic motor protection relay, dated May 2, 2017, [online], [site visited May 22, 2018]. Available from Internet, <URL:http://www.ee.co.za/article/electronic-motor-protection-relay-real-time-high-reliability-motor-protection.html> (Year: 2017).*

(Continued)

Primary Examiner — Angela J Lee

Assistant Examiner — Shawn T Gingrich

(74) *Attorney, Agent, or Firm* — K&L Gates LLP

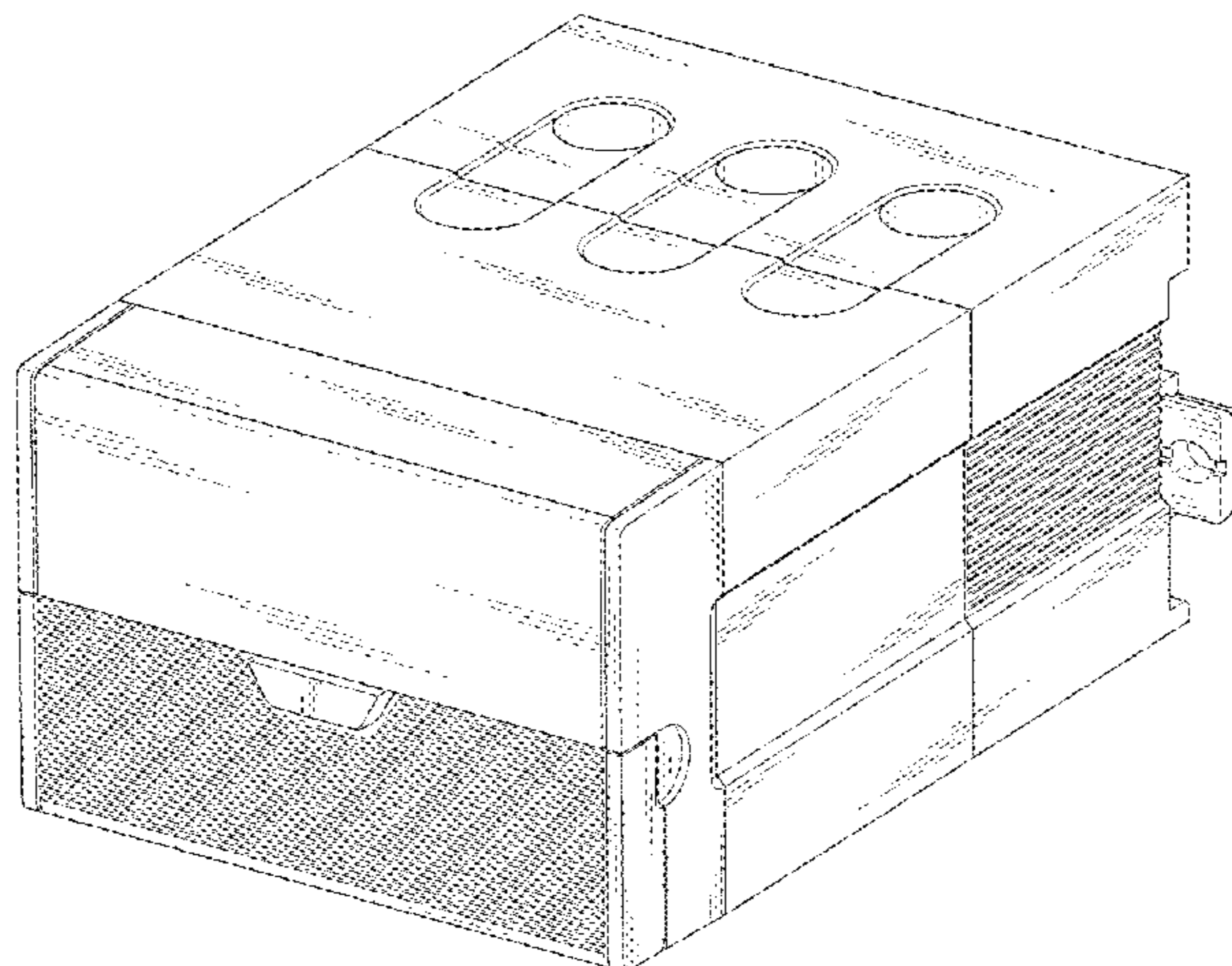
(57) **CLAIM**

The ornamental design for a digital motor protection relay, as shown and described.

DESCRIPTION

FIG. 1 is a perspective view of a digital motor protection relay showing the new design;
FIG. 2 is a front elevation view thereof;
FIG. 3 is a rear elevation view thereof;
FIG. 4 is a left-side elevation view thereof;
FIG. 5 is a right-side elevation view thereof;
FIG. 6 is a top plan view thereof;
FIG. 7 is a bottom plan view thereof; and,
FIG. 8 is a perspective view thereof in a use condition.
The broken lines shown in the drawings illustrate portions of the digital motor protection relay that form no part of the claimed design.

1 Claim, 6 Drawing Sheets



(56)

References Cited

OTHER PUBLICATIONS

Flow Control Network; What a Pump's Motor Protection Relay is Trying to Say, dated Jun. 13, 2017, [online], [site visited May 22, 2018]. Available from Internet, <URL:<https://www.flowcontrolnetwork.com/2017/06/13/what-a-pumps-motor-protection-relay-is-trying-to-say/>> (Year: 2017).*

* cited by examiner

FIG. 1

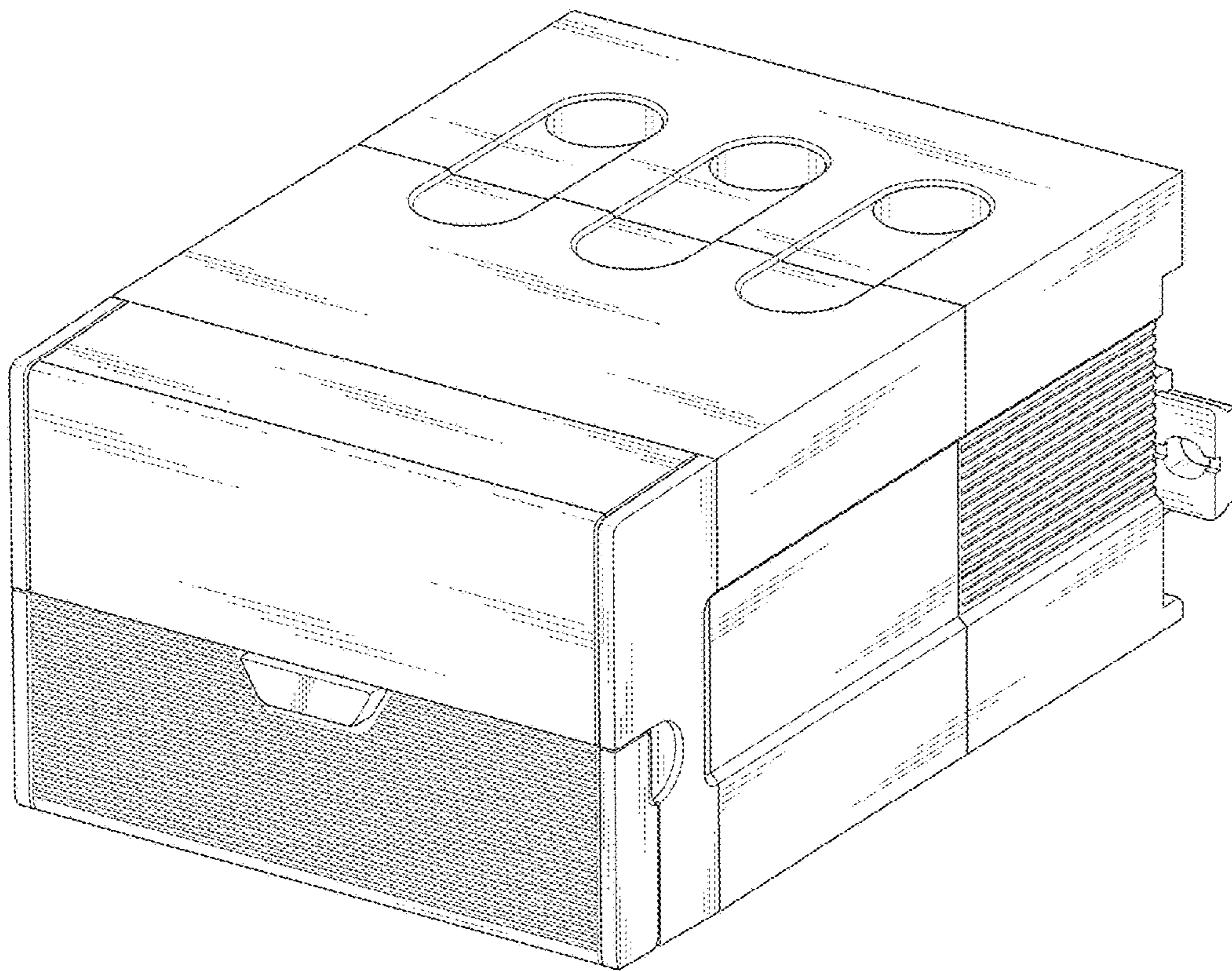


FIG. 2

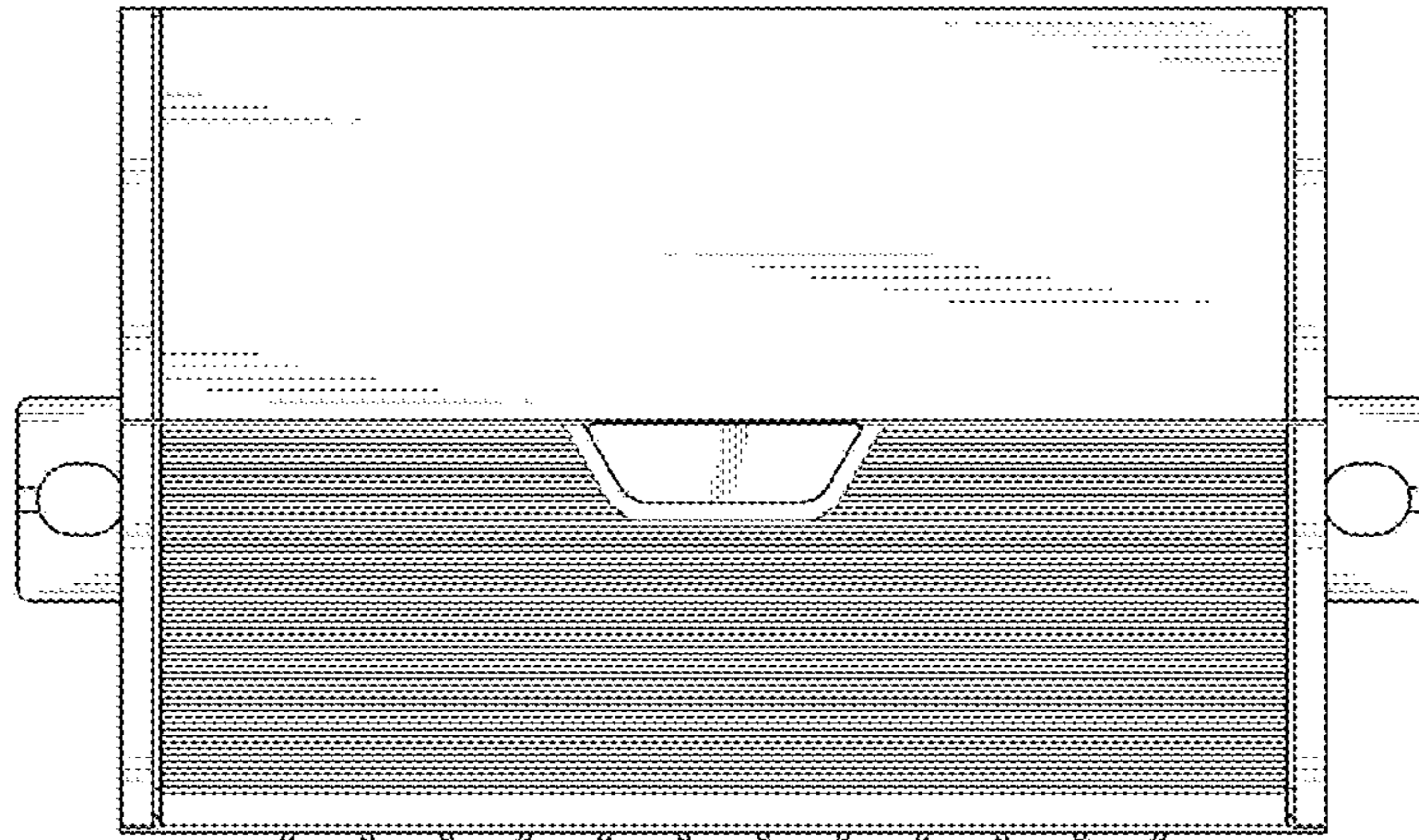


FIG. 3

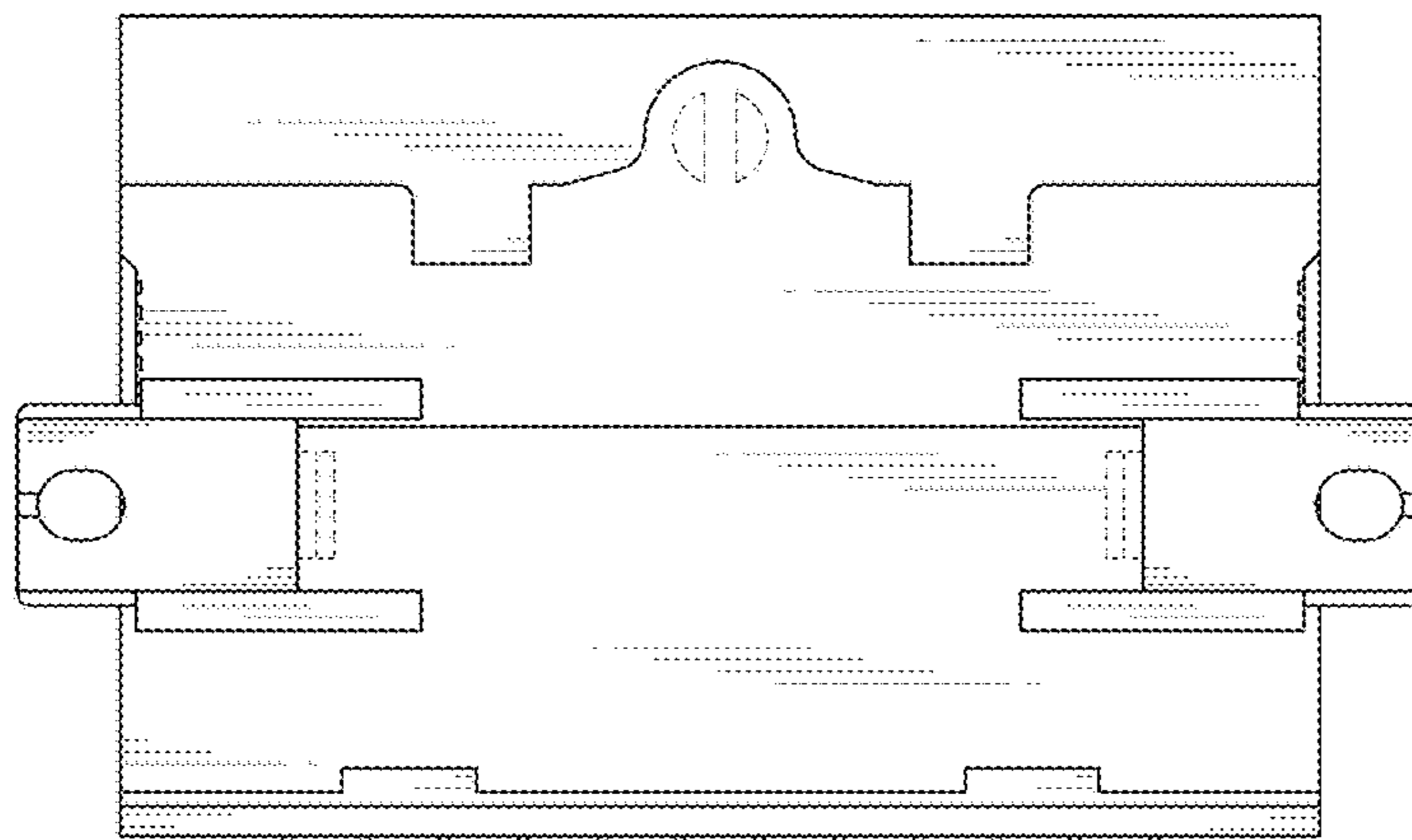


FIG. 4

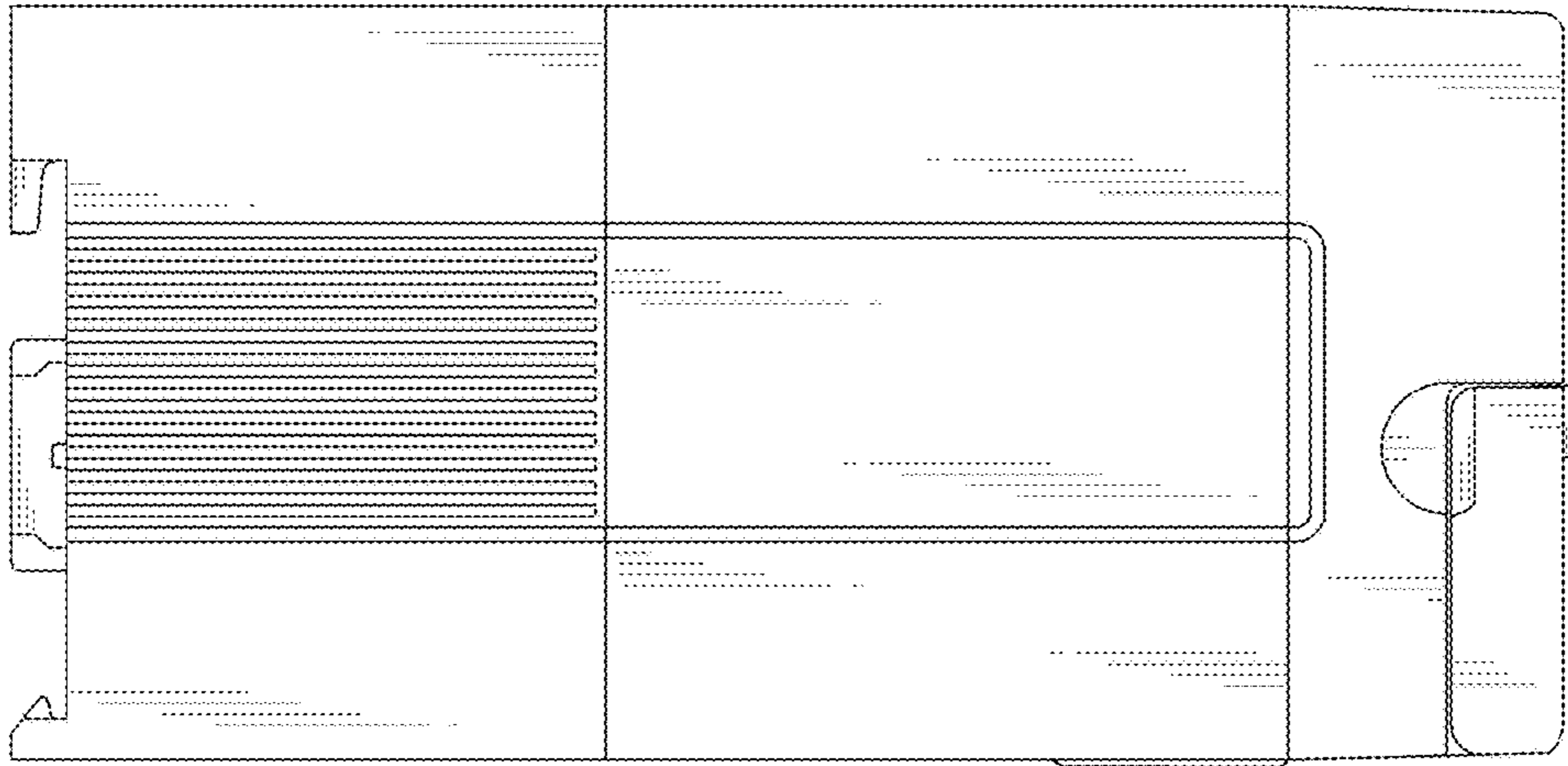


FIG. 5

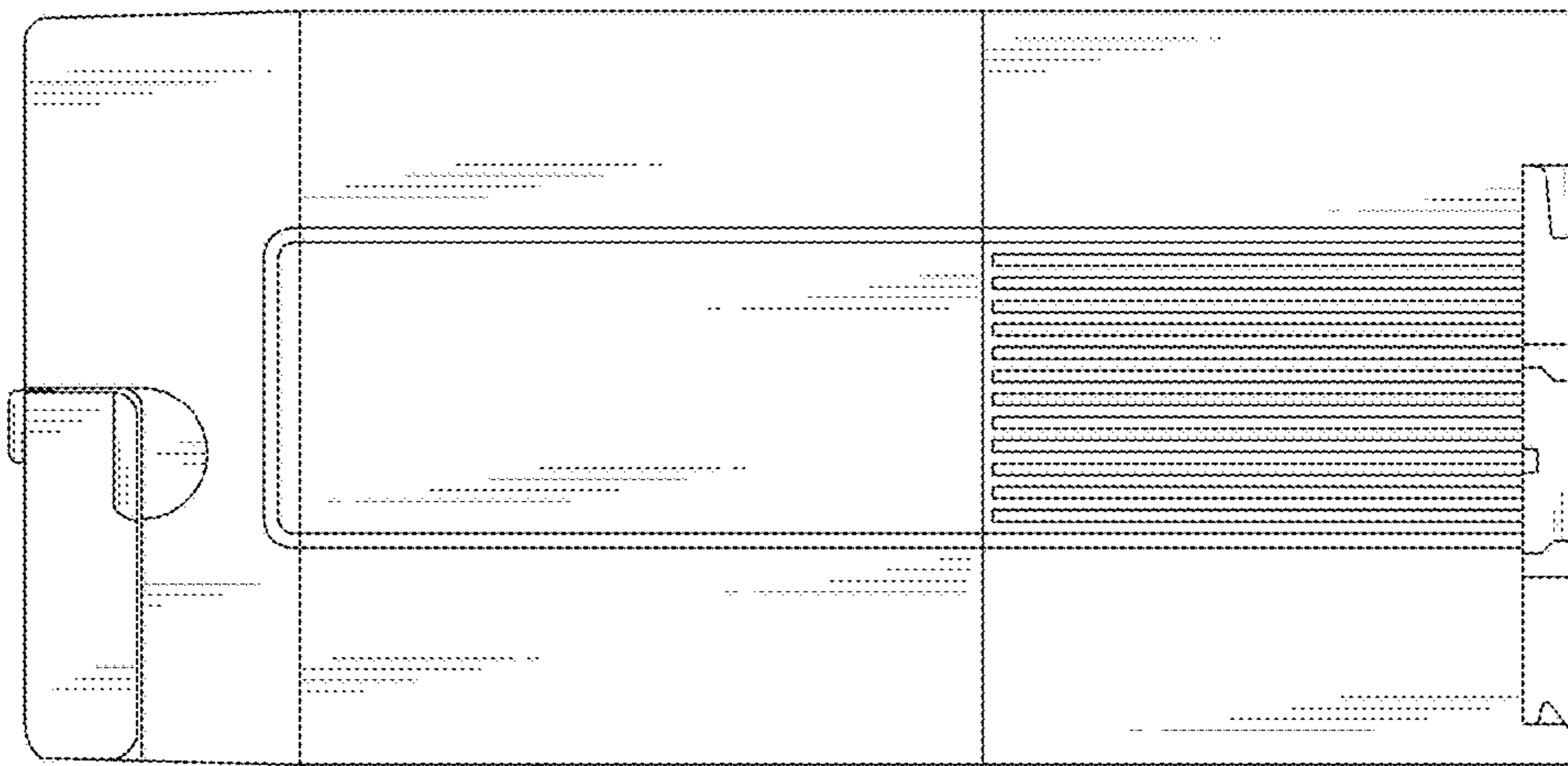


FIG. 6

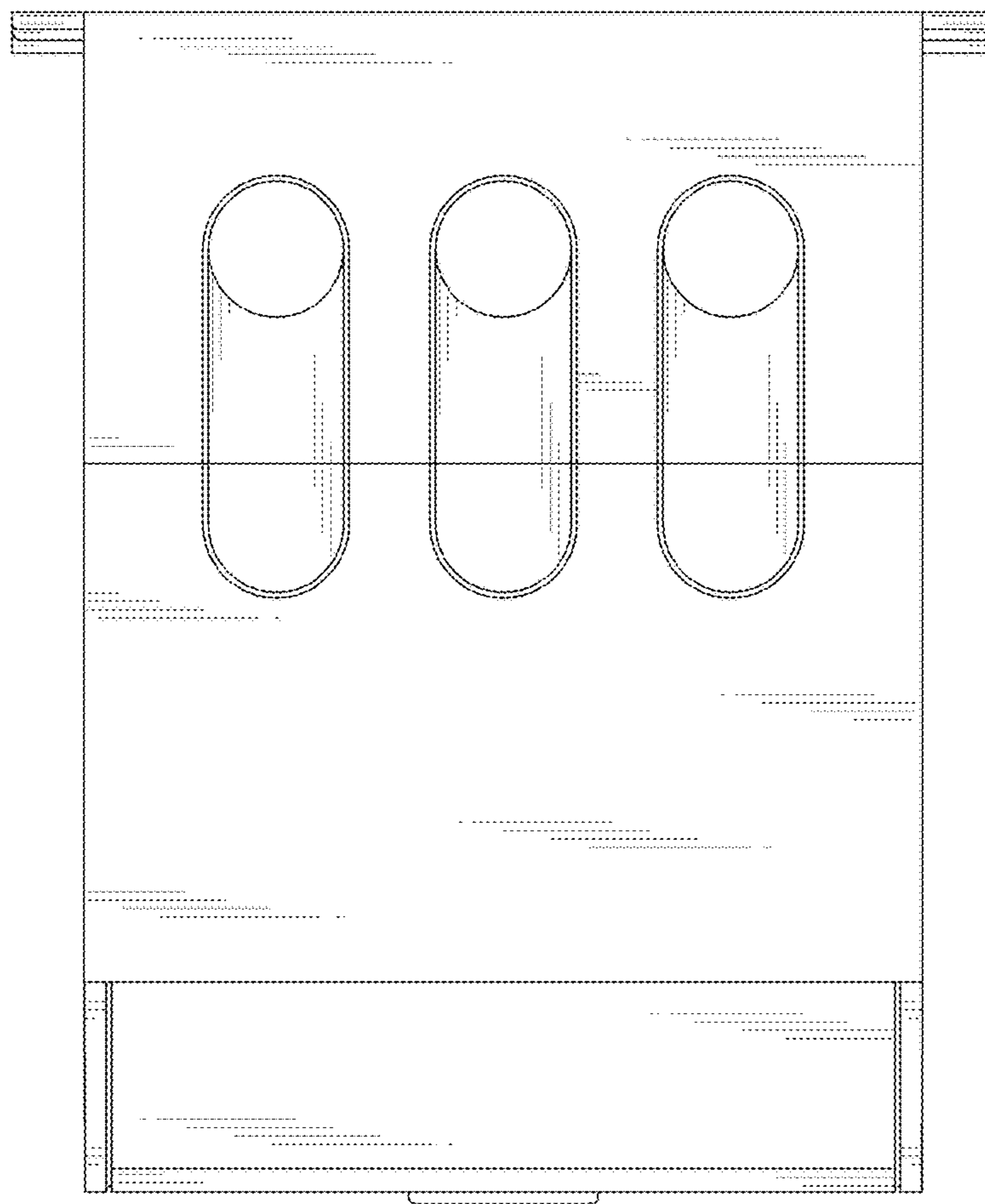


FIG. 7

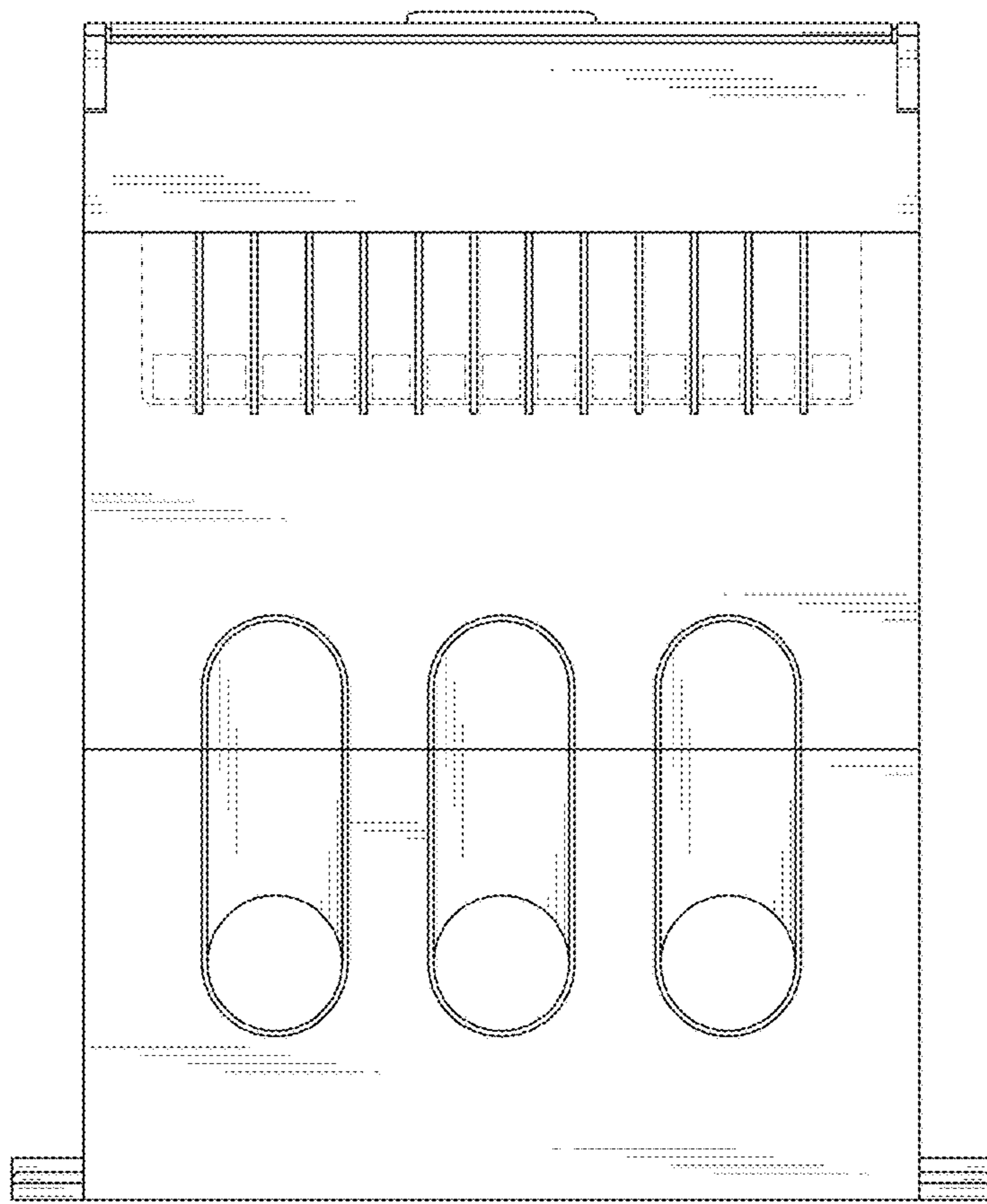


FIG. 8

