



US00D839837S

(12) **United States Design Patent**
Akana et al.

(10) **Patent No.:** **US D839,837 S**

(45) **Date of Patent:** **** Feb. 5, 2019**

(54) **ADAPTER**

(71) Applicant: **Apple Inc.**, Cupertino, CA (US)

(72) Inventors: **Jody Akana**, San Francisco, CA (US); **Bartley K. Andre**, Palo Alto, CA (US); **Jeremy Bataillou**, San Francisco, CA (US); **Daniel J. Coster**, San Francisco, CA (US); **Daniele De Iuliis**, San Francisco, CA (US); **M. Evans Hankey**, San Francisco, CA (US); **Julian Hoenig**, San Francisco, CA (US); **Richard P. Howarth**, San Francisco, CA (US); **Jonathan P. Ive**, San Francisco, CA (US); **Duncan Robert Kerr**, San Francisco, CA (US); **Shin Nishibori**, Kailua, HI (US); **Matthew Dean Rohrbach**, San Francisco, CA (US); **Peter Russell-Clarke**, San Francisco, CA (US); **Christopher J. Stringer**, Woodside, CA (US); **Eugene Antony Whang**, San Francisco, CA (US); **Rico Zörkendörfer**, San Francisco, CA (US)

(73) Assignee: **Apple Inc.**, Cupertino, CA (US)

(**) Term: **15 Years**

(21) Appl. No.: **29/642,590**

(22) Filed: **Mar. 30, 2018**

Related U.S. Application Data

(63) Continuation of application No. 29/597,585, filed on Mar. 17, 2017, now Pat. No. Des. 814,423, which is a continuation of application No. 29/544,312, filed on Nov. 2, 2015, now Pat. No. Des. 781,786, and a continuation of application No. 29/544,310, filed on Nov. 2, 2015, now Pat. No. Des. 781,785, said application No. 29/544,312 is a continuation of application No. 29/481,729, filed on Feb. 10, 2014, now Pat. No. Des. 742,320, said application No. 29/544,310 is a continuation of application No.

29/481,729, filed on Feb. 10, 2014, now Pat. No. Des. 742,320, which is a continuation of application No. 29/431,841, filed on Sep. 11, 2012, now Pat. No. Des. 699,188.

(51) **LOC (11) Cl.** **13-03**

(52) **U.S. Cl.**
USPC **D13/147**

(58) **Field of Classification Search**

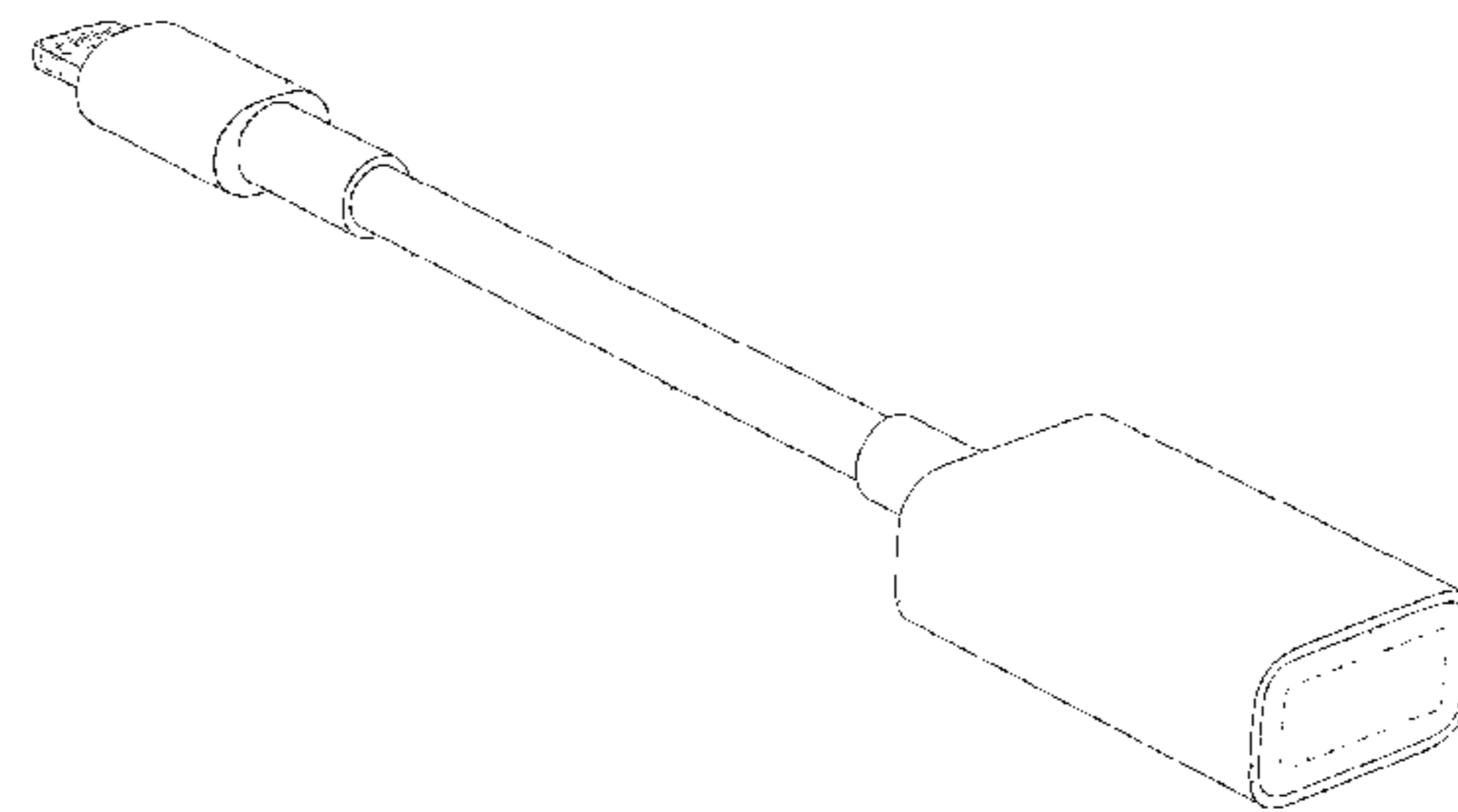
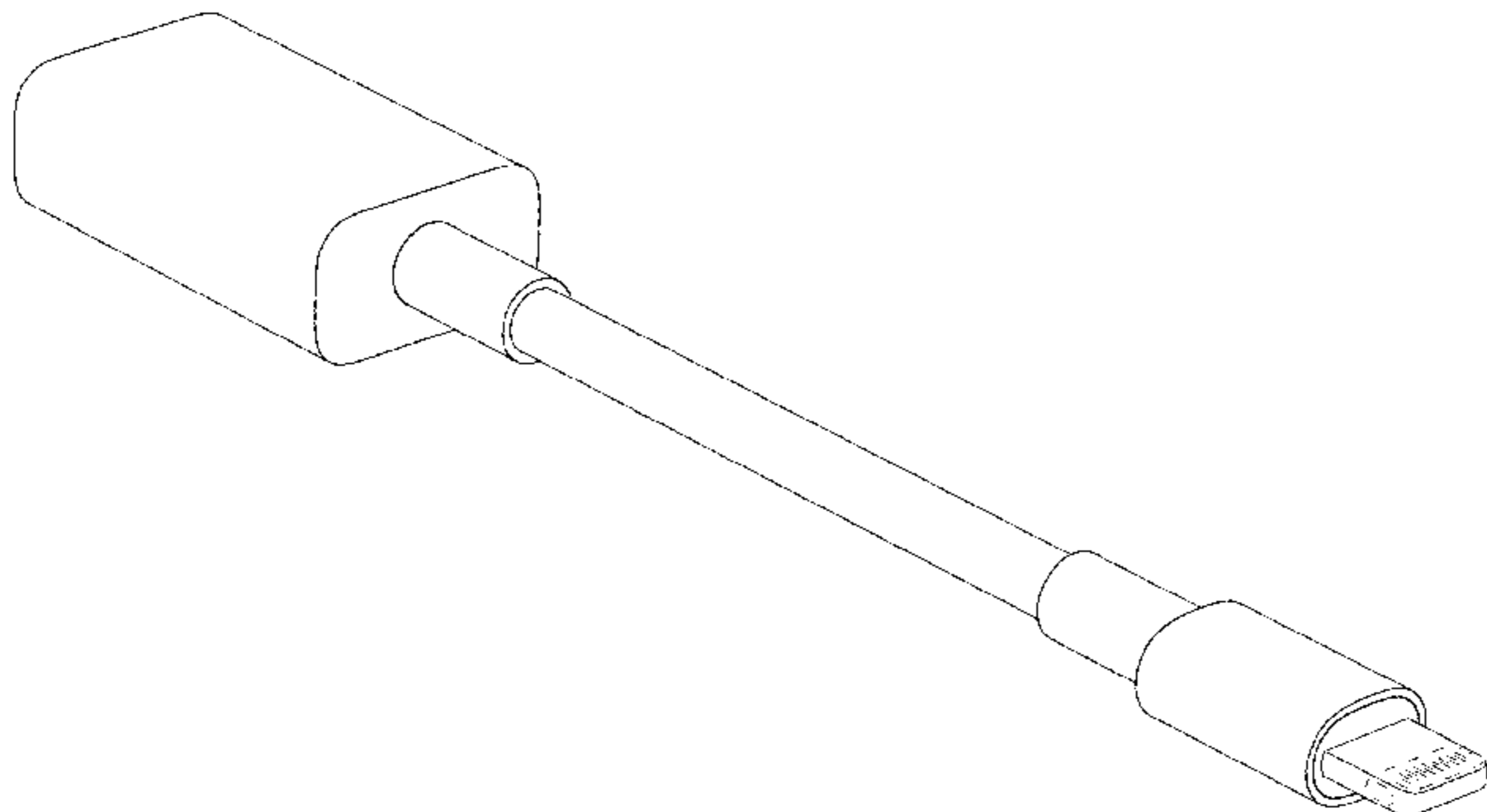
USPC D13/133, 146, 147, 154, 184, 199;
D14/432, 433, 435.1
CPC H01R 4/24; H01R 13/52; H01R 13/533;
H01R 13/58; H01R 43/16; H01R 4/02;
H01R 4/66; H01R 24/20; H01R 24/60;
H01R 25/00; H01R 27/00; H01R 213/52;
H01R 213/63; H01R 213/639; H01R
213/6477; H01R 213/648; H01R 13/5845;
H01R 13/02; H01R 13/03; H01R 13/405;
H01R 13/648; H01R 13/506; H01R
13/516; H01R 12/57; H01R 13/6585;
H01R 2107/00; B29C 70/84; B29C
70/88; B29C 70/885

See application file for complete search history.

(56) **References Cited**

U.S. PATENT DOCUMENTS

D304,028 S	10/1989	Matsuzaki
5,179,501 A	1/1993	Ocken et al.
D336,746 S	6/1993	Tse
D369,157 S	4/1996	Ohmori et al.
5,568,006 A	10/1996	Luff et al.
D399,047 S	10/1998	Yoshida et al.
6,137,710 A	10/2000	Iwasaki et al.
D446,499 S	8/2001	Andre et al.
D452,245 S	12/2001	Wallace et al.
D452,246 S	12/2001	Wallace et al.
D454,110 S	3/2002	Andre et al.
6,483,038 B2	11/2002	Lee et al.
D487,747 S	3/2004	Yu et al.
D490,796 S	6/2004	Allen
6,948,984 B2	9/2005	Chen et al.
D515,545 S	2/2006	Griffin
D522,463 S	6/2006	Novotney et al.
D525,977 S	8/2006	Yao
7,094,089 B2	8/2006	Andre et al.
D531,127 S	10/2006	Zhong et al.
D534,184 S	12/2006	Leija et al.



US D839,837 S

D534,545 S	1/2007	Leija et al.	8,886,849 B2	11/2014	Golembeski et al.
D537,036 S	2/2007	Chen	8,888,510 B2	11/2014	Webb
D537,780 S	3/2007	Suckle	8,891,216 B2	11/2014	Mullins et al.
D543,156 S	5/2007	Suckle	8,905,793 B2	12/2014	Golko et al.
D552,099 S	10/2007	Nishizawa et al.	8,974,126 B2	3/2015	Sloey et al.
D552,604 S	10/2007	Andre et al.	8,986,029 B2	3/2015	Webb et al.
D558,145 S	12/2007	Stavoe et al.	9,011,161 B2	4/2015	Weber et al.
D563,899 S	3/2008	Goetz et al.	9,011,172 B2	4/2015	Weber et al.
7,341,472 B2	3/2008	Chao et al.	9,011,179 B2	4/2015	Siahan et al.
7,354,312 B2	4/2008	Chuang	D731,434 S	6/2015	Akana et al.
D569,848 S	5/2008	Suzuki	9,059,531 B2	6/2015	Schmidt et al.
D574,365 S	8/2008	Andre et al.	9,065,212 B2	6/2015	Golko et al.
D577,008 S	9/2008	Andre et al.	9,092,233 B2	7/2015	Andrews et al.
7,429,188 B2	9/2008	Wu	9,093,803 B2	7/2015	Sooahoo et al.
D577,990 S	10/2008	Andre et al.	9,099,856 B2	8/2015	Utterman et al.
D578,991 S	10/2008	Donovan et al.	9,146,888 B2	9/2015	Terlizzi et al.
D586,293 S	2/2009	Fujino	9,160,124 B2	10/2015	Colahan et al.
D587,209 S	2/2009	Tsai et al.	D742,320 S	11/2015	Akana et al.
D588,545 S	3/2009	Andre et al.	D746,780 S	1/2016	Akana et al.
D594,418 S	6/2009	Fujino et al.	9,240,700 B2	1/2016	Terlizzi et al.
D599,740 S	9/2009	Guccione et al.	D751,560 S *	3/2016	Akana D14/433
D599,800 S	9/2009	Klein et al.	D758,497 S	6/2016	Uhren et al.
D600,652 S	9/2009	Hong et al.	9,459,670 B2	10/2016	Rich et al.
D604,725 S	11/2009	Chen	9,495,307 B2	11/2016	Zadesky et al.
D605,650 S	12/2009	Ribeiro	D781,785 S	3/2017	Akana et al.
D607,886 S	1/2010	Bolotin et al.	D781,786 S	3/2017	Akana et al.
D612,809 S	3/2010	Zhao et al.	D817,889 S *	5/2018	Akana D13/147
D617,776 S	6/2010	Hightower	2002/0170972 A1	11/2002	Kim
D618,226 S	6/2010	Tong et al.	2003/0225954 A1	12/2003	Wu
D618,240 S	6/2010	Larmour et al.	2005/0109841 A1	5/2005	Ryan et al.
D619,963 S	7/2010	Hou	2005/0124219 A1	6/2005	Chen et al.
D621,785 S	8/2010	Nickol	2005/0202727 A1	9/2005	Andre et al.
D624,548 S	9/2010	Yamamoto	2007/0123106 A1	5/2007	Zhang
D628,151 S	11/2010	Wegener et al.	2007/0229025 A1	10/2007	Tsai et al.
D628,537 S	12/2010	Nagata et al.	2007/0293079 A1	12/2007	Chao et al.
D631,883 S	2/2011	Maier	2010/0151734 A1	6/2010	Wu et al.
D634,326 S	3/2011	Gehrke	2011/0199729 A1	8/2011	Hsieh
D635,142 S	3/2011	Borislow	2012/0252256 A1	10/2012	Zhu et al.
D636,337 S	4/2011	Smith et al.	2013/0084760 A1	4/2013	Siahaan et al.
7,927,146 B2	4/2011	Wu et al.	2013/0175326 A1	7/2013	Jol et al.
D637,193 S	5/2011	Andre et al.	2013/0238823 A1	9/2013	Terlizzi et al.
D643,040 S	8/2011	Sedio et al.	2013/0244472 A1	9/2013	Weber et al.
D648,726 S	11/2011	Behar et al.	2013/0244489 A1	9/2013	Terlizzi et al.
D655,296 S	3/2012	Andre et al.	2013/0244491 A1	9/2013	Sarwar et al.
D656,147 S	3/2012	Schlossstein	2013/0244492 A1	9/2013	Golka et al.
D658,665 S	5/2012	Akana et al.	2013/0279055 A1	10/2013	Mullins et al.
D659,150 S	5/2012	Andre	2013/0286522 A1	10/2013	Mullins et al.
D665,754 S	8/2012	Cobbett et al.	2013/0304942 A1	11/2013	Golembeski et al.
D680,076 S	4/2013	McManigal	2013/0305066 A1	11/2013	Mullins et al.
D680,539 S	4/2013	Kim	2014/0013012 A1	1/2014	Terlizzi et al.
D682,835 S	5/2013	Daniel	2014/0057479 A1	2/2014	Weber et al.
D683,703 S	6/2013	Akana et al.	2014/0073170 A1	3/2014	Golko et al.
D684,538 S	6/2013	Akana et al.	2014/0073191 A1	3/2014	Colahan et al.
D684,539 S	6/2013	Akana et al.	2014/0073193 A1	3/2014	Sooahoo et al.
D684,976 S	6/2013	Akana et al.	2014/0075051 A1	3/2014	Zadesky et al.
8,454,388 B2	6/2013	Song	2014/0075169 A1	3/2014	Andrews et al.
D692,390 S	10/2013	Smith et al.	2014/0075210 A1	3/2014	Rich et al.
8,561,879 B2	10/2013	Jol et al.	2014/0294656 A1	10/2014	Brickner et al.
D693,828 S	11/2013	Akana et al.			
D694,243 S	11/2013	Akana et al.			
8,637,165 B2	1/2014	Siahaan et al.			
D699,188 S *	2/2014	Akana D13/147			
8,683,090 B2	3/2014	Mullins et al.			
8,845,363 B2	3/2014	Ardisana et al.			
D703,145 S	4/2014	Akana et al.			
8,708,745 B2	4/2014	Golko et al.			
D705,176 S	5/2014	Akana et al.			
8,721,356 B2	5/2014	Webb et al.			
D707,680 S	6/2014	Akana et al.			
D707,681 S *	6/2014	Akana D14/433			
8,747,155 B2	6/2014	Weber et al.			
8,762,605 B2	6/2014	Terlizzi et al.			
D709,032 S	7/2014	Akana et al.			
8,777,666 B2	7/2014	Golko et al.			
8,799,527 B2	8/2014	Mullins et al.			
8,804,355 B2	8/2014	Utterman et al.			
D712,279 S	9/2014	Akana et al.			
D714,729 S	10/2014	Akana et al.			
8,882,529 B2	11/2014	Weber et al.			

FOREIGN PATENT DOCUMENTS		
AU	346798	2/2013
CN	D131168 S	10/2009
CN	301901718 S	5/2012
CN	203103611 U	7/2013
CN	203225414 U	10/2013
CN	102269849 S	9/2014
EM	000623848-0001	2/2007
EM	001222905-0018	10/2010
JP	D128395	3/1997
WO	WO 2006/074348 A1	7/2006
WO	WO 2011/150403 A1	12/2011
WO	WO 2011/160138 A2	12/2011
WO	WO 2011/163256 A1	12/2011
WO	WO 2011/163260 A1	12/2011
WO	WO 2012/103383 A2	8/2012
WO	WO 2013/081704 A1	6/2013
WO	WO 2014/040224	3/2014

OTHER PUBLICATIONS

Apple iPad Camera Connection Kit, <<http://store.apple.com/us/product/MC531ZM/A/apple-ipad-camera-connection-kit?fnode=3a&fs=m.ipadCompatibility%3Dipad2>>, accessed on Aug. 28, 2013, 3 pages.

Apple 30-pin Digital AV Adapter, <<http://store.apple.com/us/product/MD098ZM/A/apple-digitalavadapter?fnode=3a&fs=m.ipadCompatibility%3Dipad2>>, accessed on Aug. 28, 2013, 3 pages.

Apple 30-pin to VGA Adapter, <<http://store.apple.com/us/product/MC552ZM/B/applevgaadapter?fnode=3a&fs=m.ipadCompatibility%3Dipad2>>, accessed on Aug. 28, 2013, 4 pages.

* cited by examiner

Primary Examiner — Daniel D Bui

(74) *Attorney, Agent, or Firm* — Sterne, Kessler, Goldstein & Fox P.L.L.C.

(57)

CLAIM

The ornamental design for an adapter, as shown and described.

DESCRIPTION

FIG. 1 is a front perspective view of an adapter showing the claimed design;

FIG. 2 is a rear perspective view thereof;

FIG. 3 is a top view thereof, the bottom view being a mirror image thereof;

FIG. 4 is a left view thereof;

FIG. 5 is a right view thereof;

FIG. 6 is a rear view thereof; and,

FIG. 7 is a front view thereof.

The broken lines in the figures show portions of the adapter that form no part of the claimed design.

1 Claim, 5 Drawing Sheets

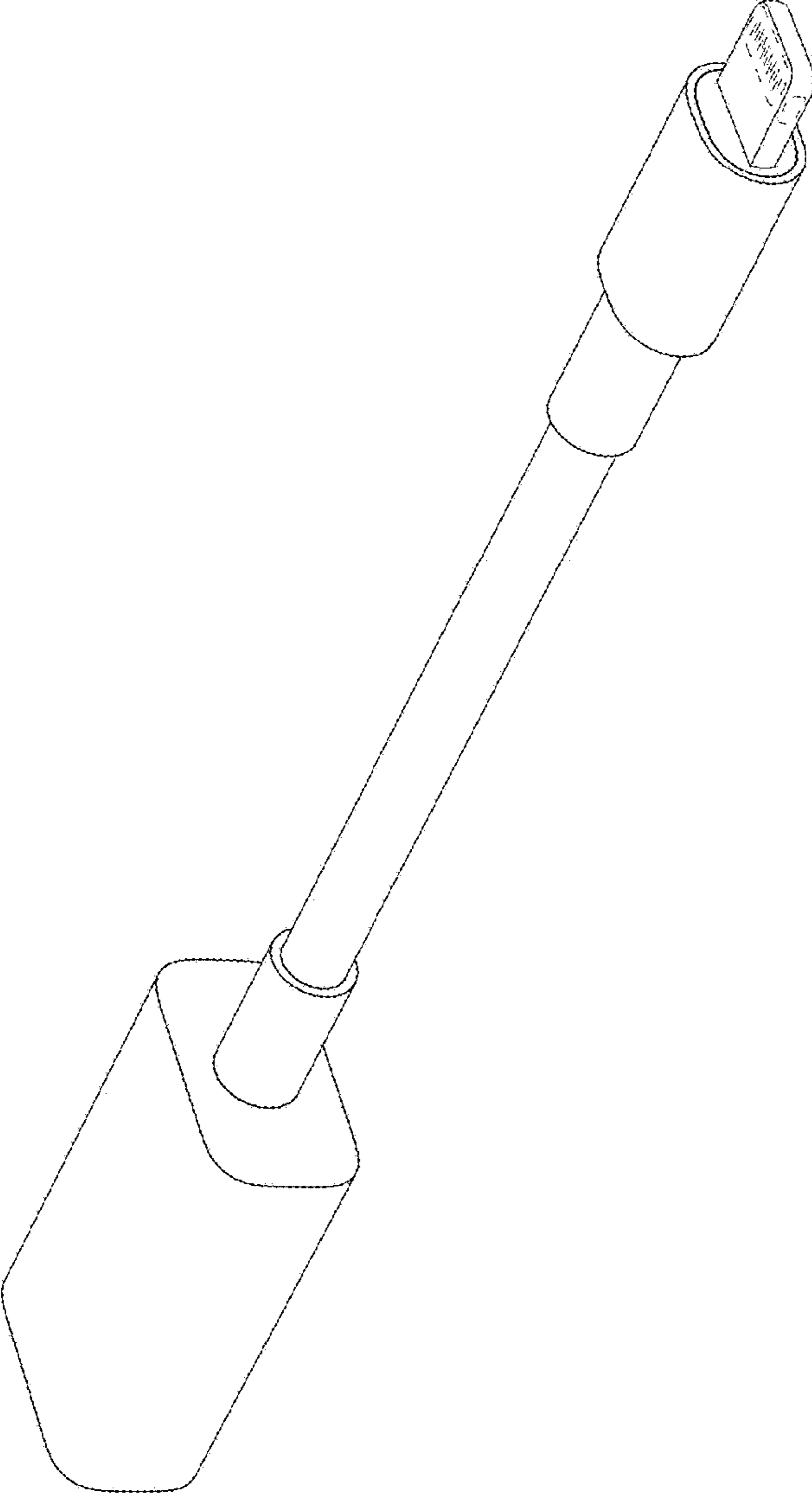


FIG. 1

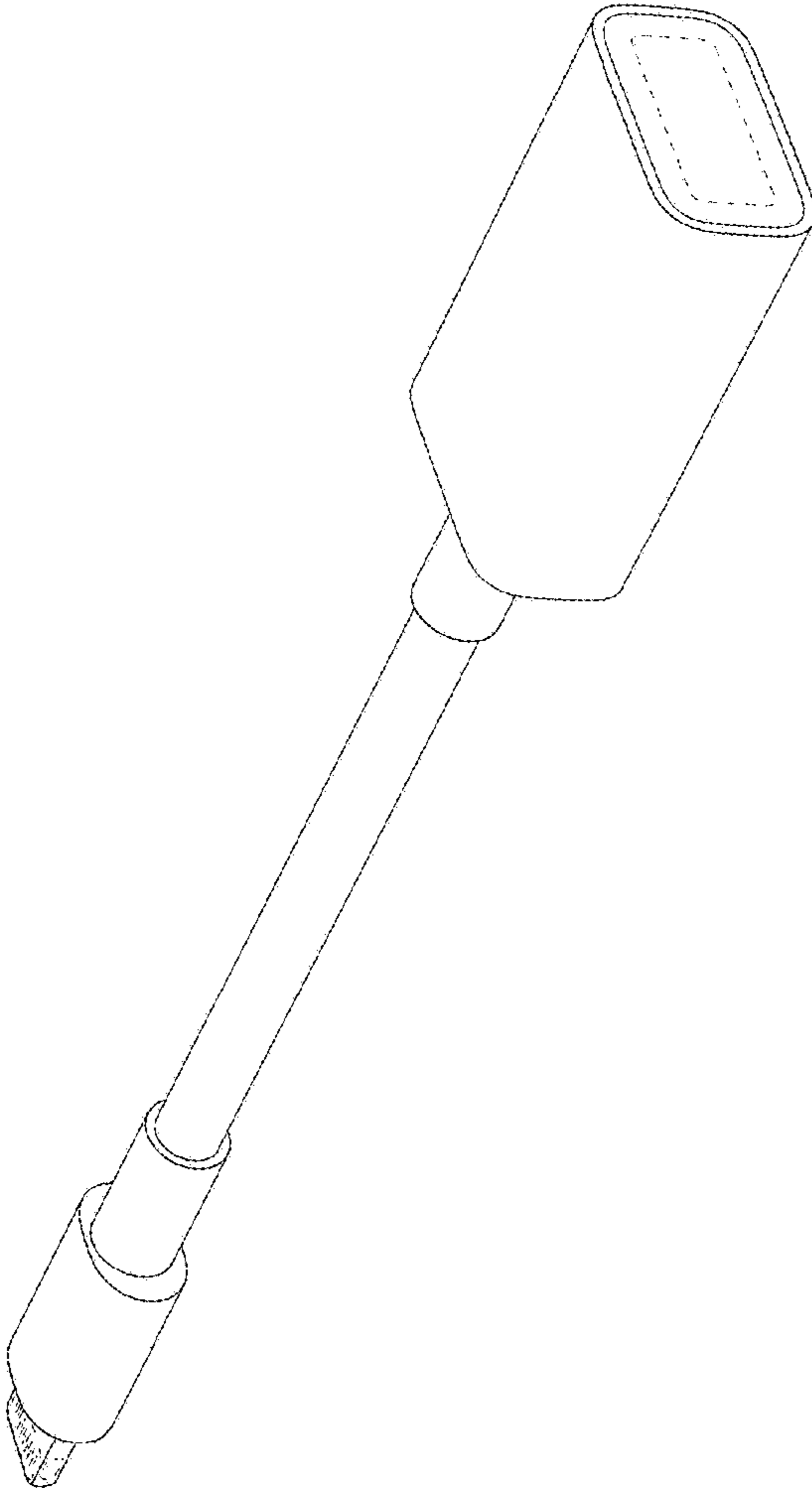


FIG. 2

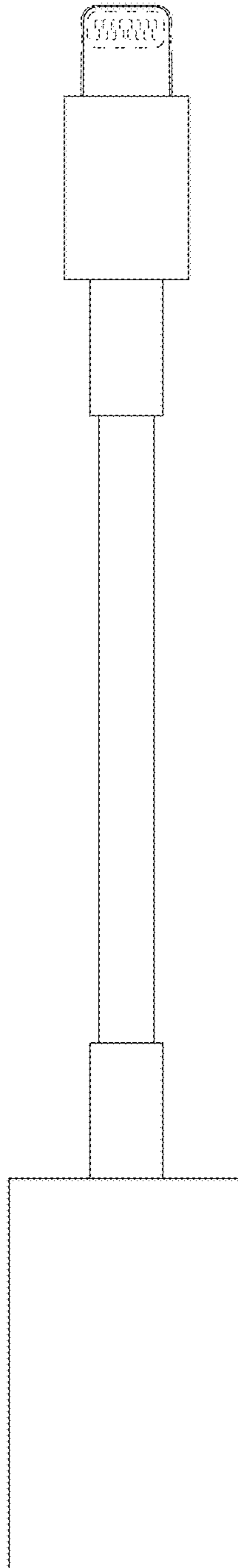


FIG. 3

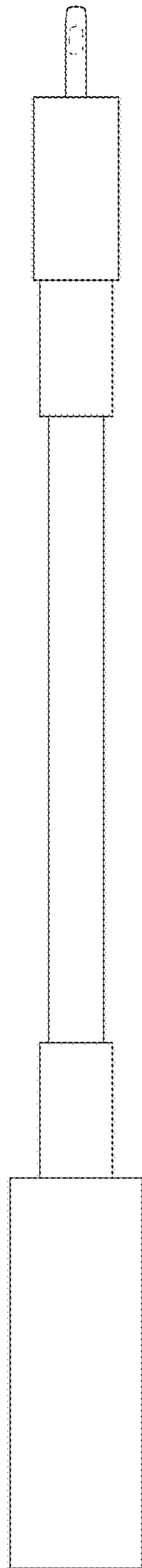


FIG. 4

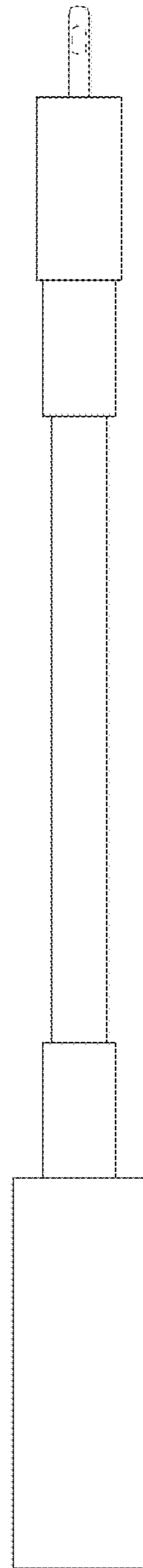


FIG. 5

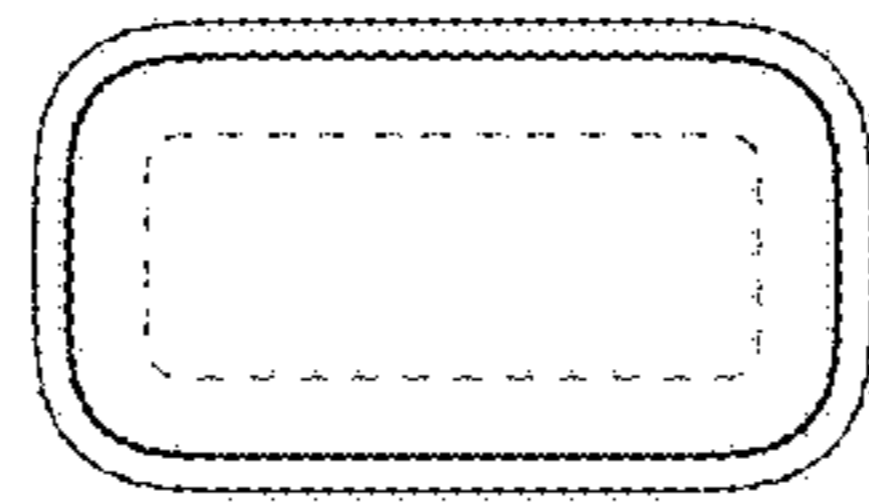


FIG. 6

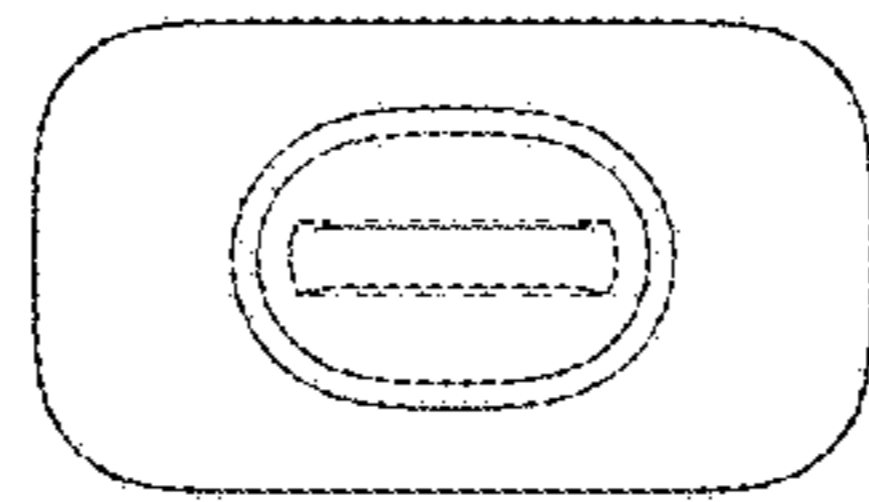


FIG. 7