



US00D839836S

(12) **United States Design Patent**
Fukuda et al.

(10) **Patent No.:** **US D839,836 S**

(45) **Date of Patent:** **** Feb. 5, 2019**

(54) **RECEPTACLE FOR OPTIC AND ELECTRICAL HYBRID CONNECTOR**

(71) Applicant: **Panasonic Intellectual Property Management Co., Ltd.**, Osaka-shi, Osaka (JP)

(72) Inventors: **Ryo Fukuda**, Osaka (JP); **Kazuhide Uriu**, Osaka (JP); **Kohei Masuda**, Osaka (JP)

(73) Assignee: **PANASONIC INTELLECTUAL PROPERTY MANAGEMENT CO., LTD.**, Osaka-Shi, Osaka (JP)

(**) Term: **15 Years**

(21) Appl. No.: **29/630,079**

(22) Filed: **Dec. 19, 2017**

(30) **Foreign Application Priority Data**

Jun. 21, 2017 (CN) 2017 3 0257121

(51) **LOC (11) Cl.** **13-03**

(52) **U.S. Cl.**
USPC **D13/147**

(58) **Field of Classification Search**

USPC D13/133, 146, 147, 154, 184, 199
CPC H01R 24/60; H01R 24/70; H01R 13/5205;
H01R 13/5219; H01R 13/642; H01R 13/6471; H01R 13/6581; H01R 13/6582;
H01R 13/6285; H01R 13/6591; H01R 13/6596; H01R 13/627; H01R 13/639;
H01R 13/641; H01R 13/518; H01R 13/514; H01R 13/506; H01R 13/436;
H01R 43/26

See application file for complete search history.

(56) **References Cited**

U.S. PATENT DOCUMENTS

D478,320 S * 8/2003 Suzuki D13/147
D509,190 S * 9/2005 Tsai D13/147

D509,799 S * 9/2005 Tsai D13/147
D538,232 S * 3/2007 Wan D13/147
D553,090 S * 10/2007 Lai D13/147
D649,940 S * 12/2011 Arai D13/147

(Continued)

Primary Examiner — Daniel D Bui

(74) *Attorney, Agent, or Firm* — Brinks Gilson & Lione

(57) **CLAIM**

The ornamental design for a receptacle for optic and electrical hybrid connector, as shown and described.

DESCRIPTION

FIG. 1 is a front perspective view of a receptacle for optic and electrical hybrid connector of a first embodiment of the present invention;

FIG. 2 is another front perspective view thereof;

FIG. 3 is a front view thereof;

FIG. 4 is a rear view thereof;

FIG. 5 is a left side view thereof;

FIG. 6 is a right side view thereof;

FIG. 7 is a top view thereof; and

FIG. 8 is a bottom view thereof

FIG. 9 is a front perspective view of a receptacle for optic and electrical hybrid connector of a second embodiment of the present invention;

FIG. 10 is another front perspective view thereof;

FIG. 11 is a front view thereof;

FIG. 12 is a rear view thereof;

FIG. 13 is a left side view thereof;

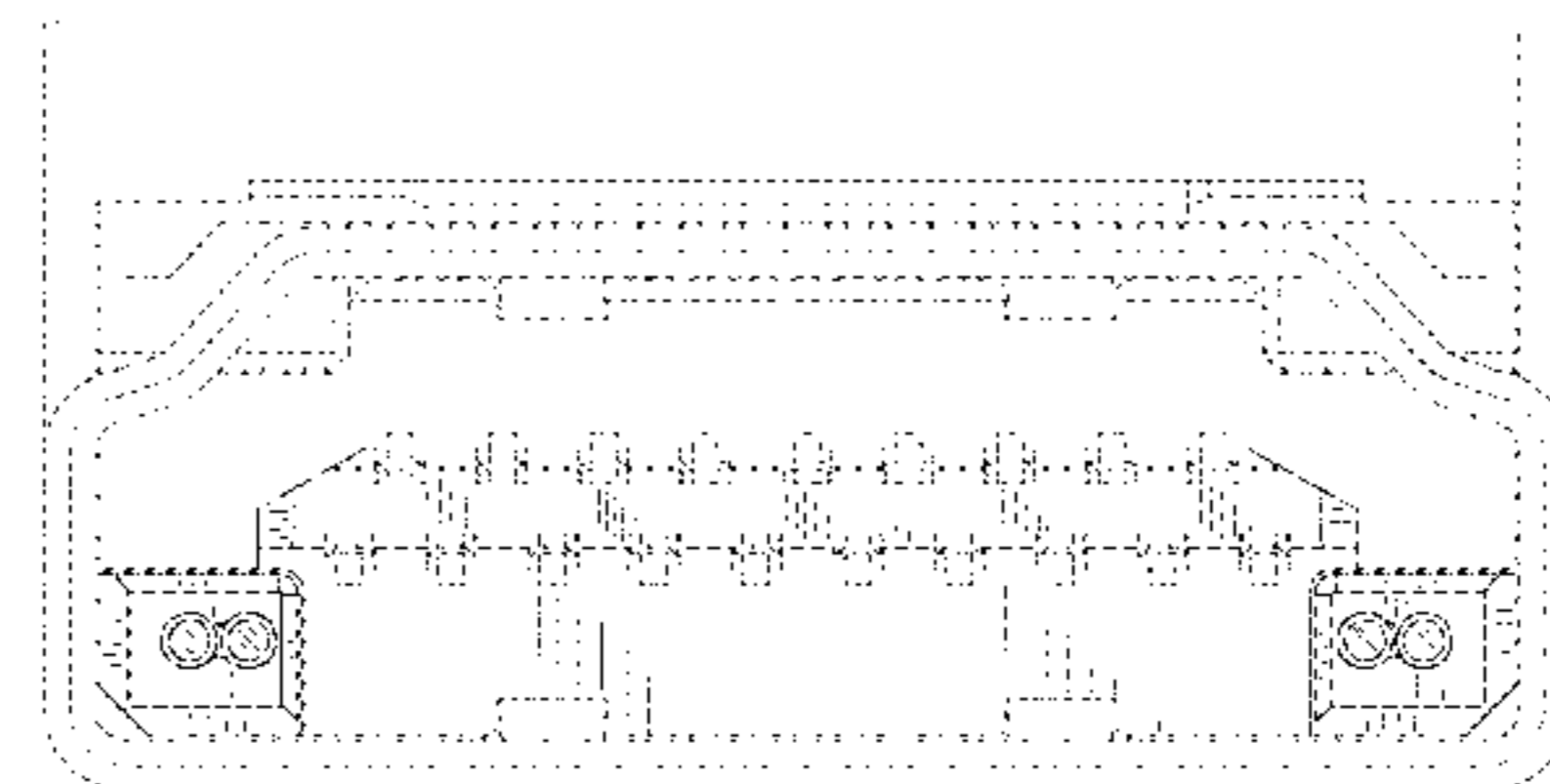
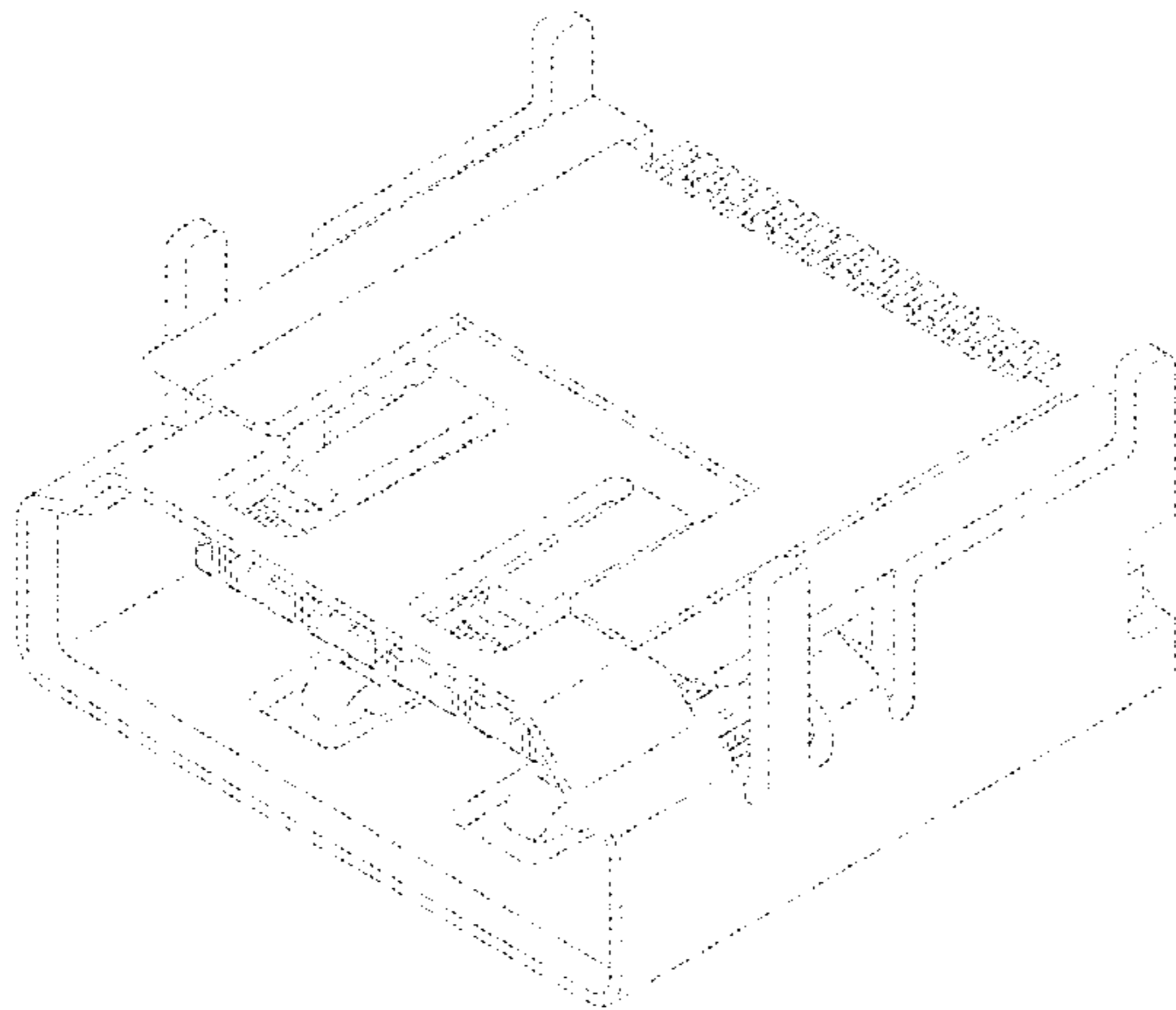
FIG. 14 is a right side view thereof;

FIG. 15 is a top view thereof; and,

FIG. 16 is a bottom view thereof.

The broken lines show parts of the receptacle for optic and electrical hybrid connector that represent unclaimed subject matter and form no part of the claimed design. Additionally, the dot-dash lines shown in FIGS. 10 and 11 define the limits of the claimed design

1 Claim, 16 Drawing Sheets



(56)

References Cited

U.S. PATENT DOCUMENTS

D682,216 S * 5/2013 Sato D13/147
D708,581 S * 7/2014 Asano D13/147

* cited by examiner

FIG. 1

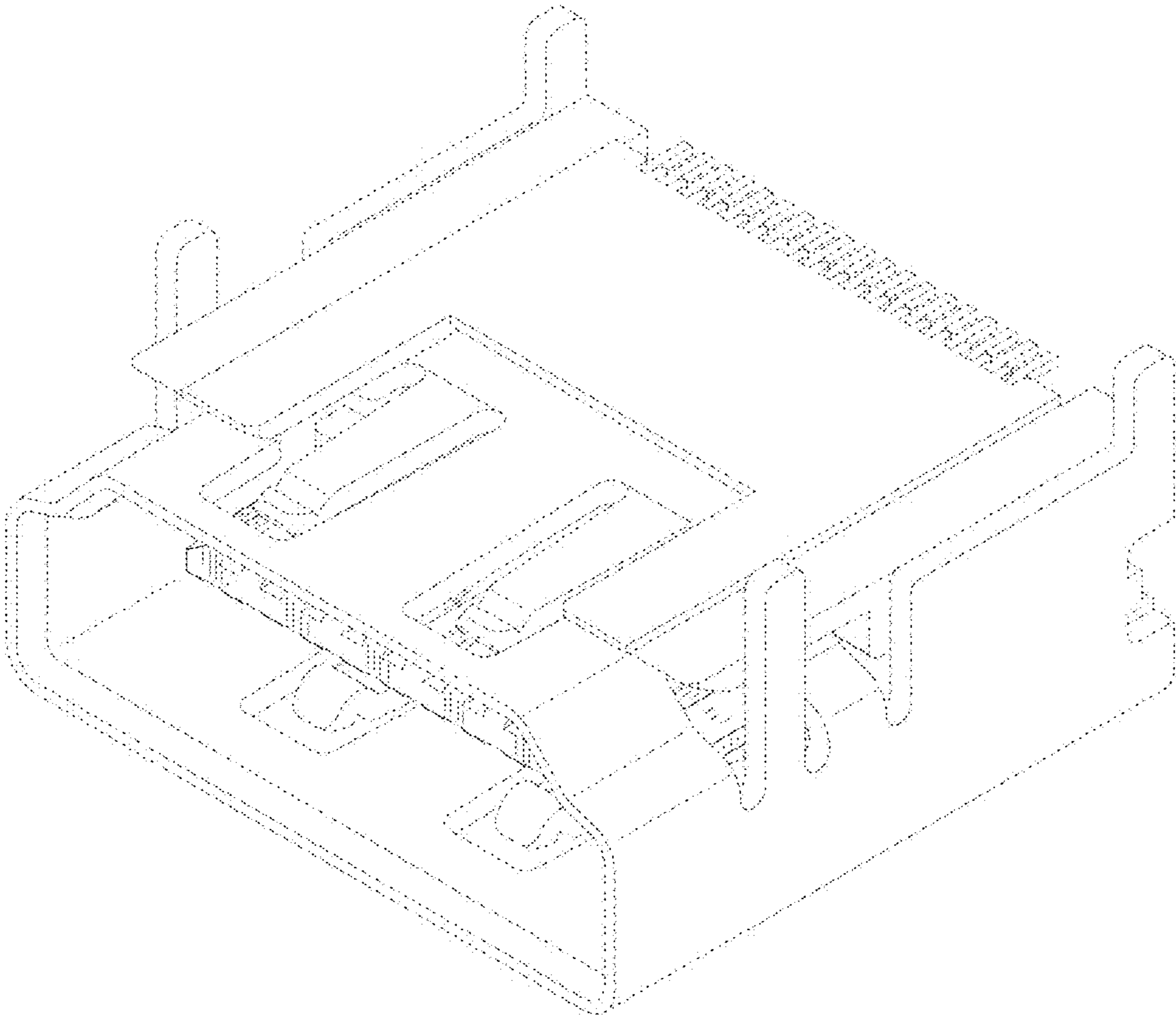


FIG. 2

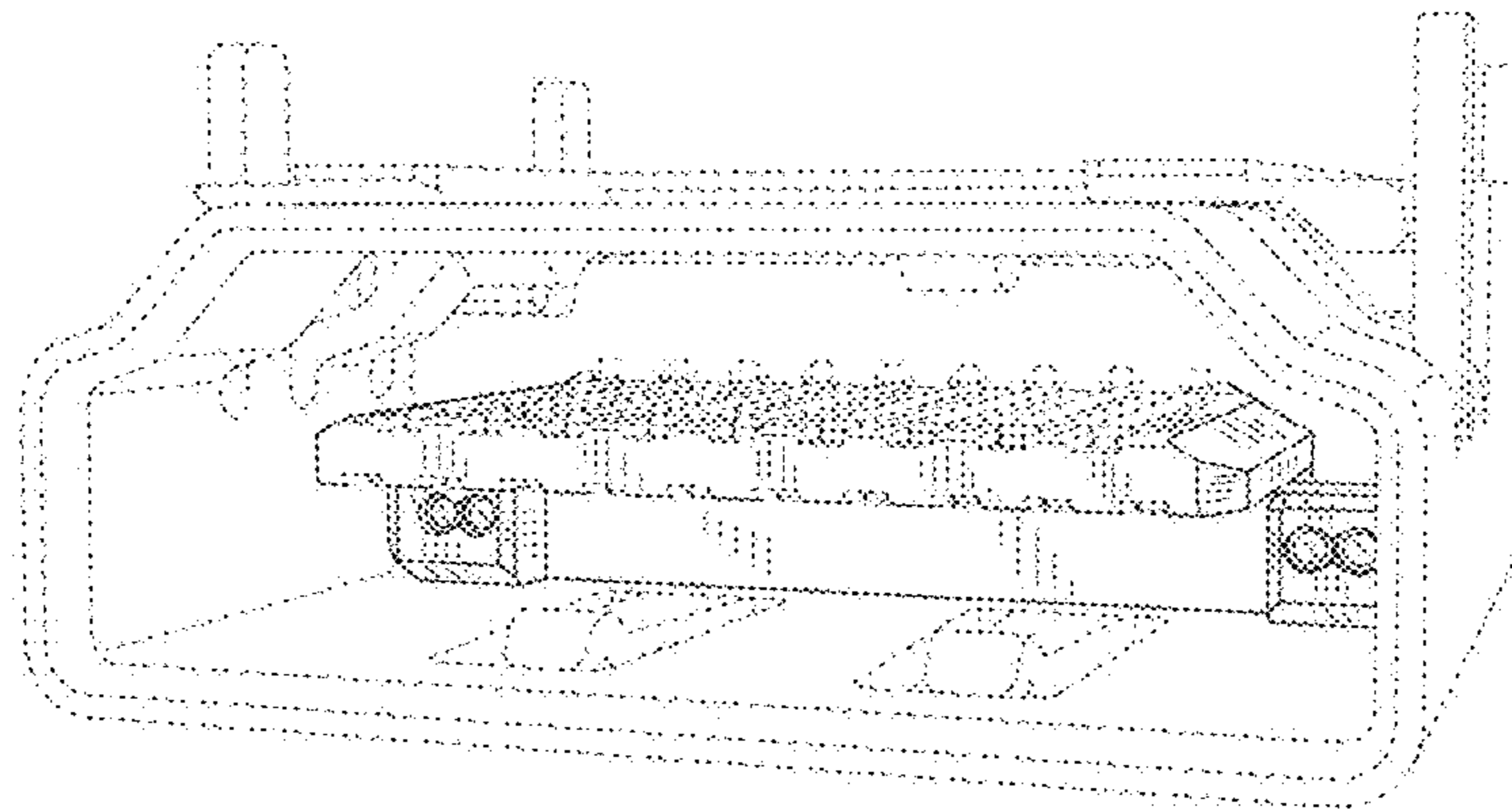


FIG. 3

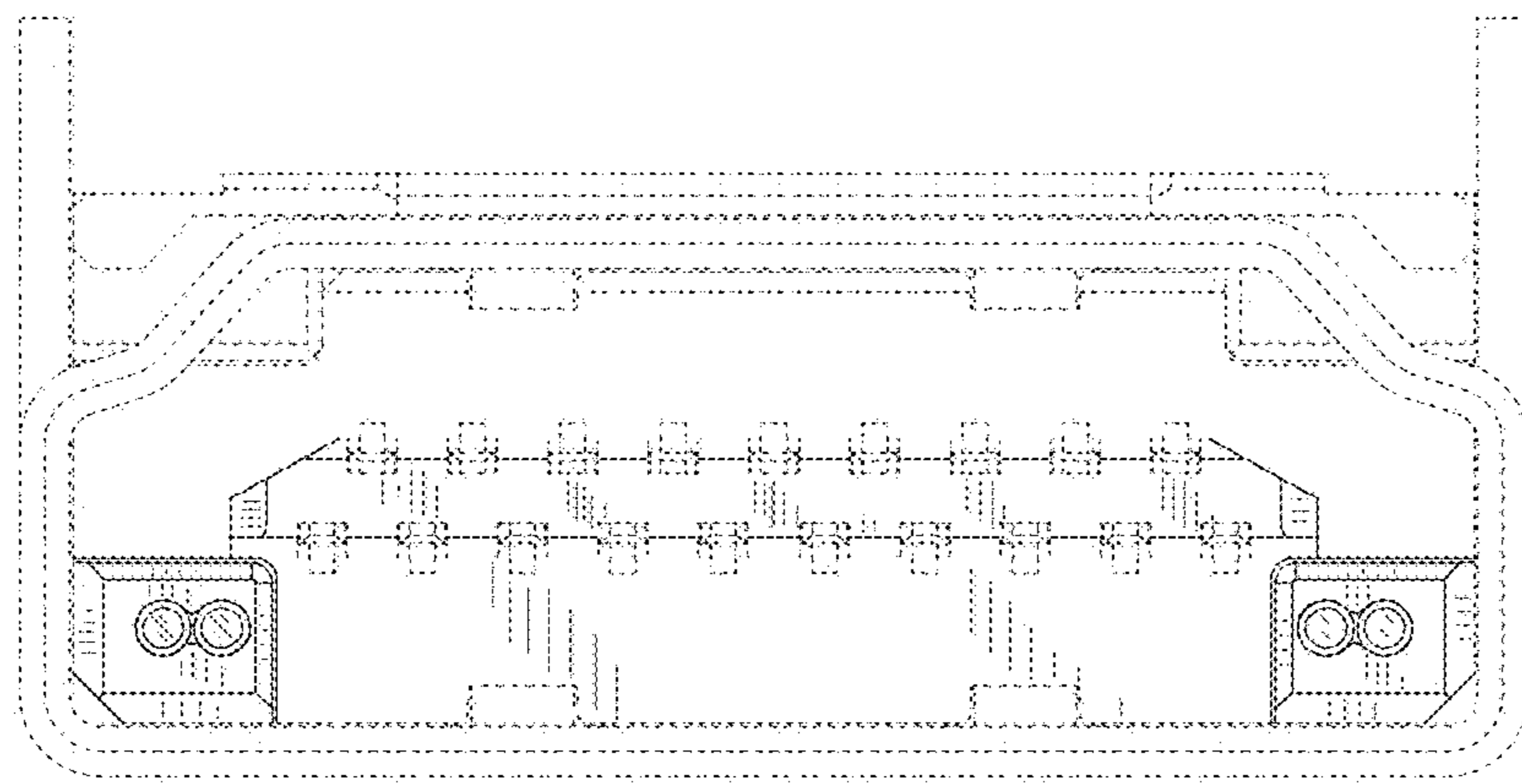


FIG. 4

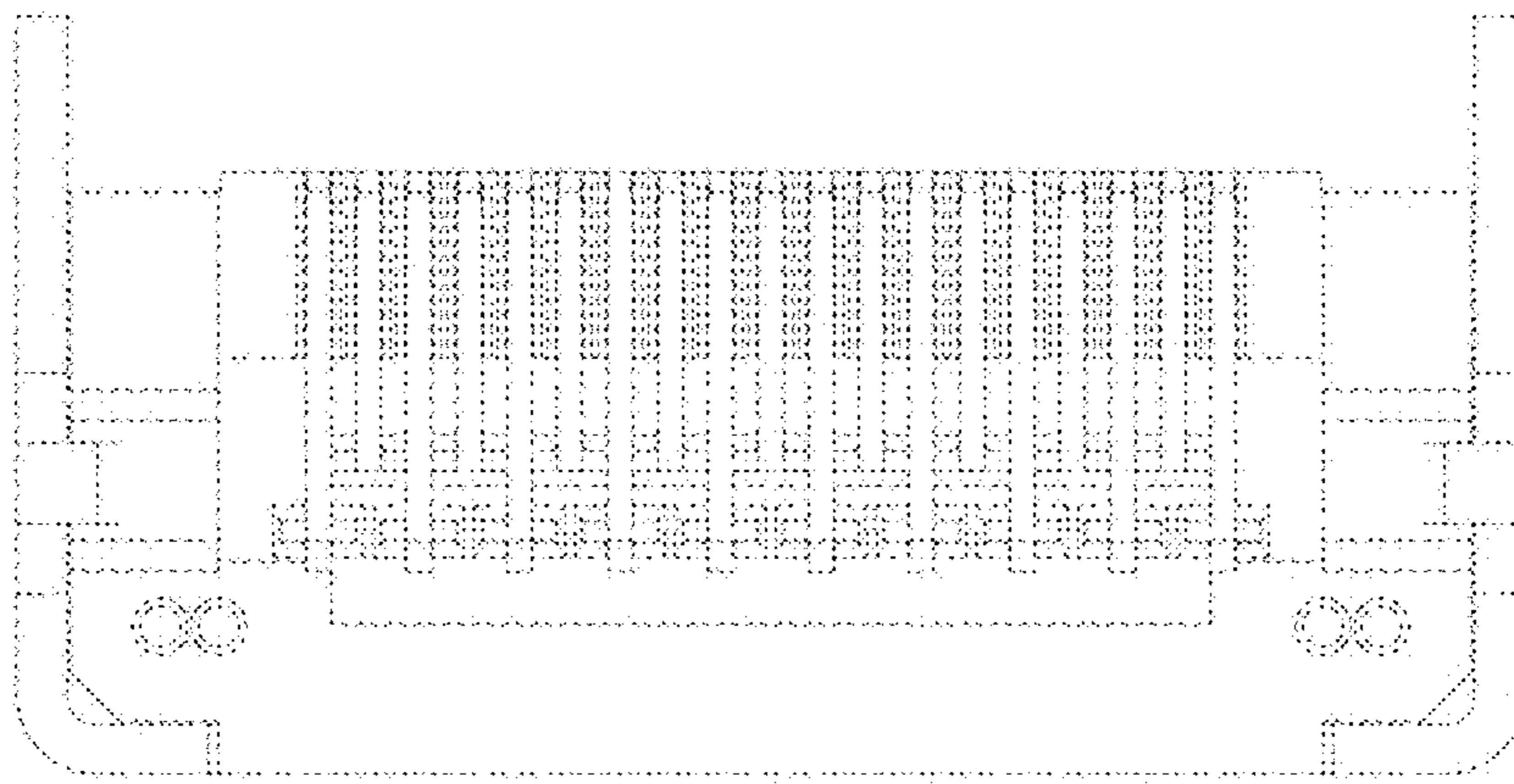


FIG. 5

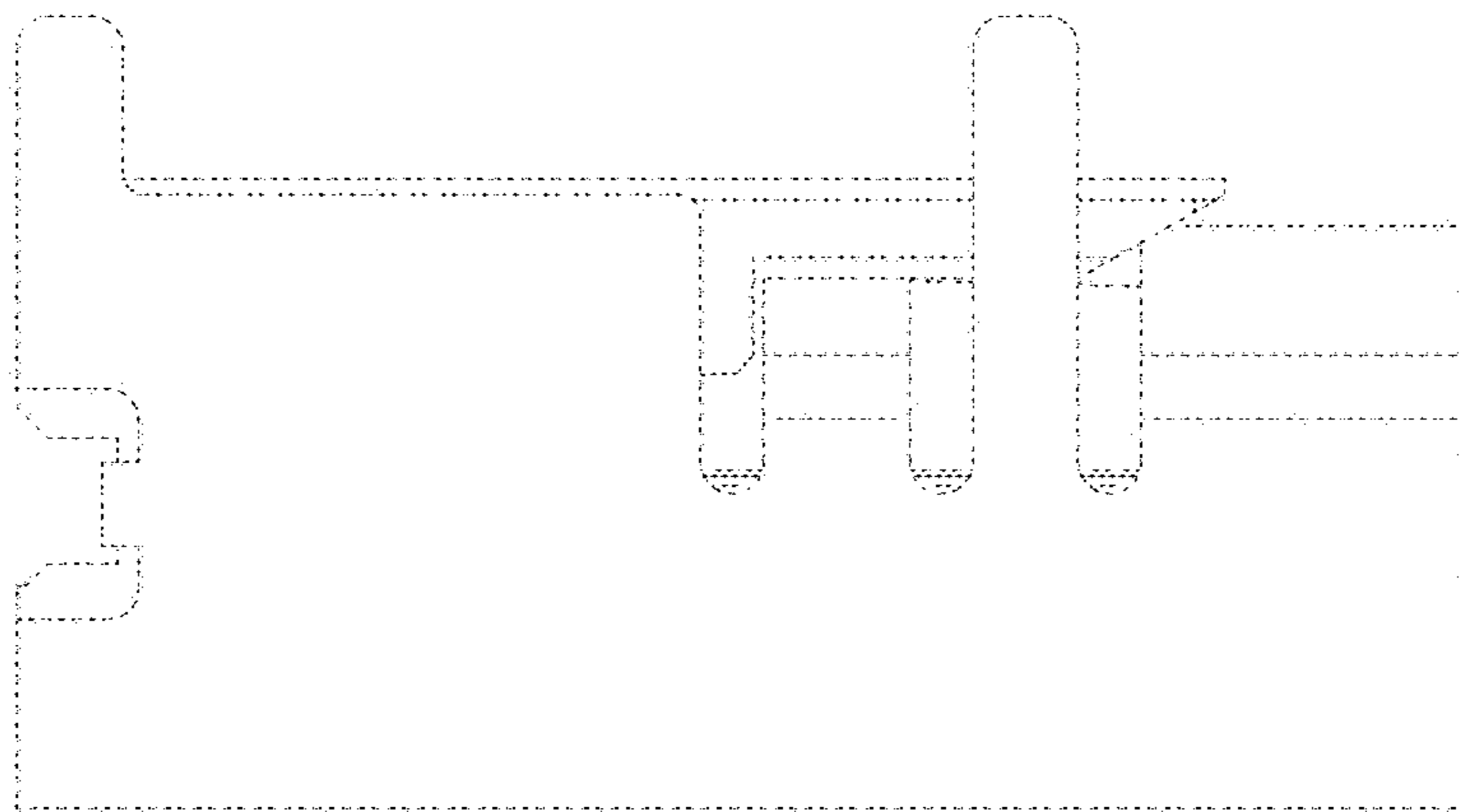


FIG. 6

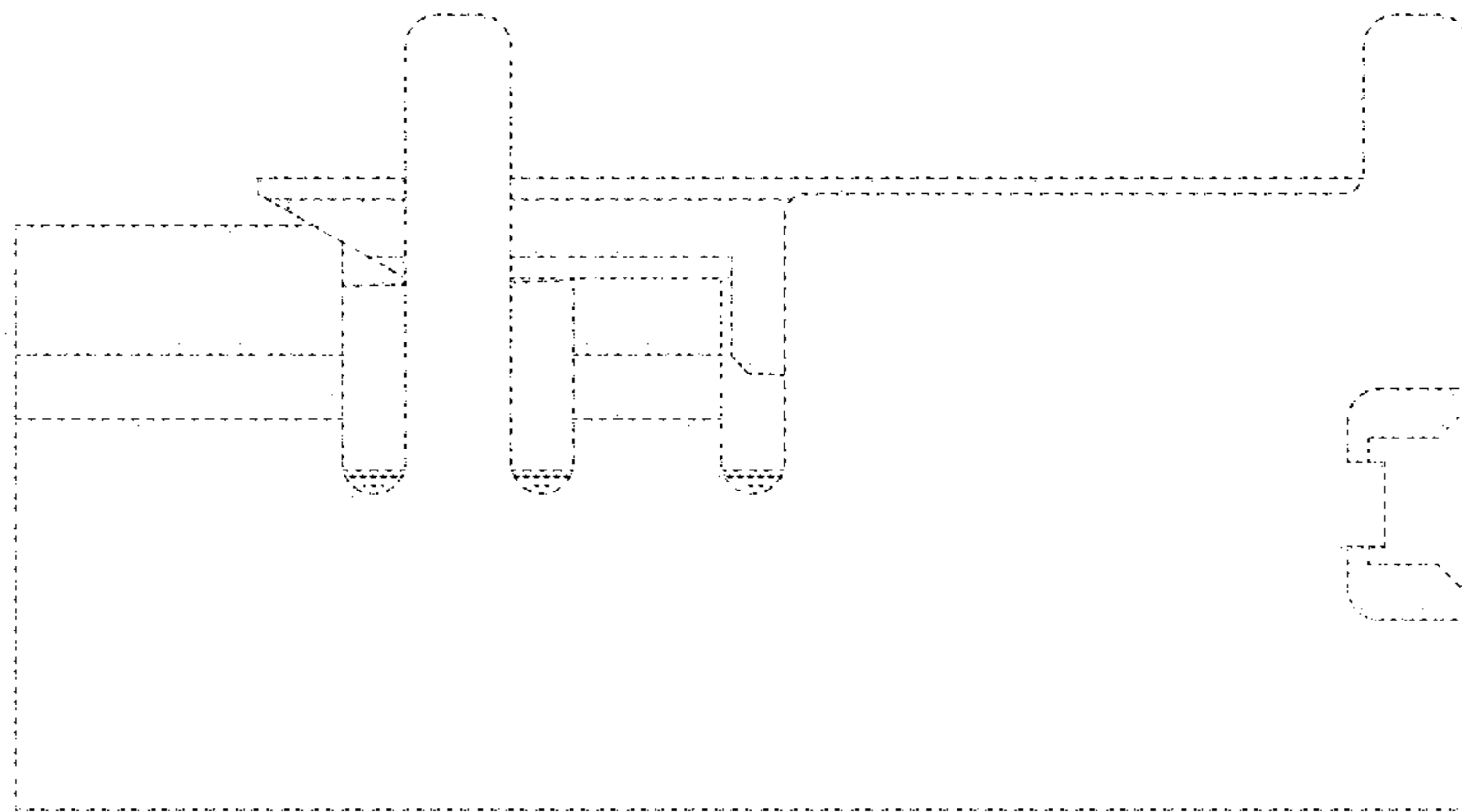


FIG. 7

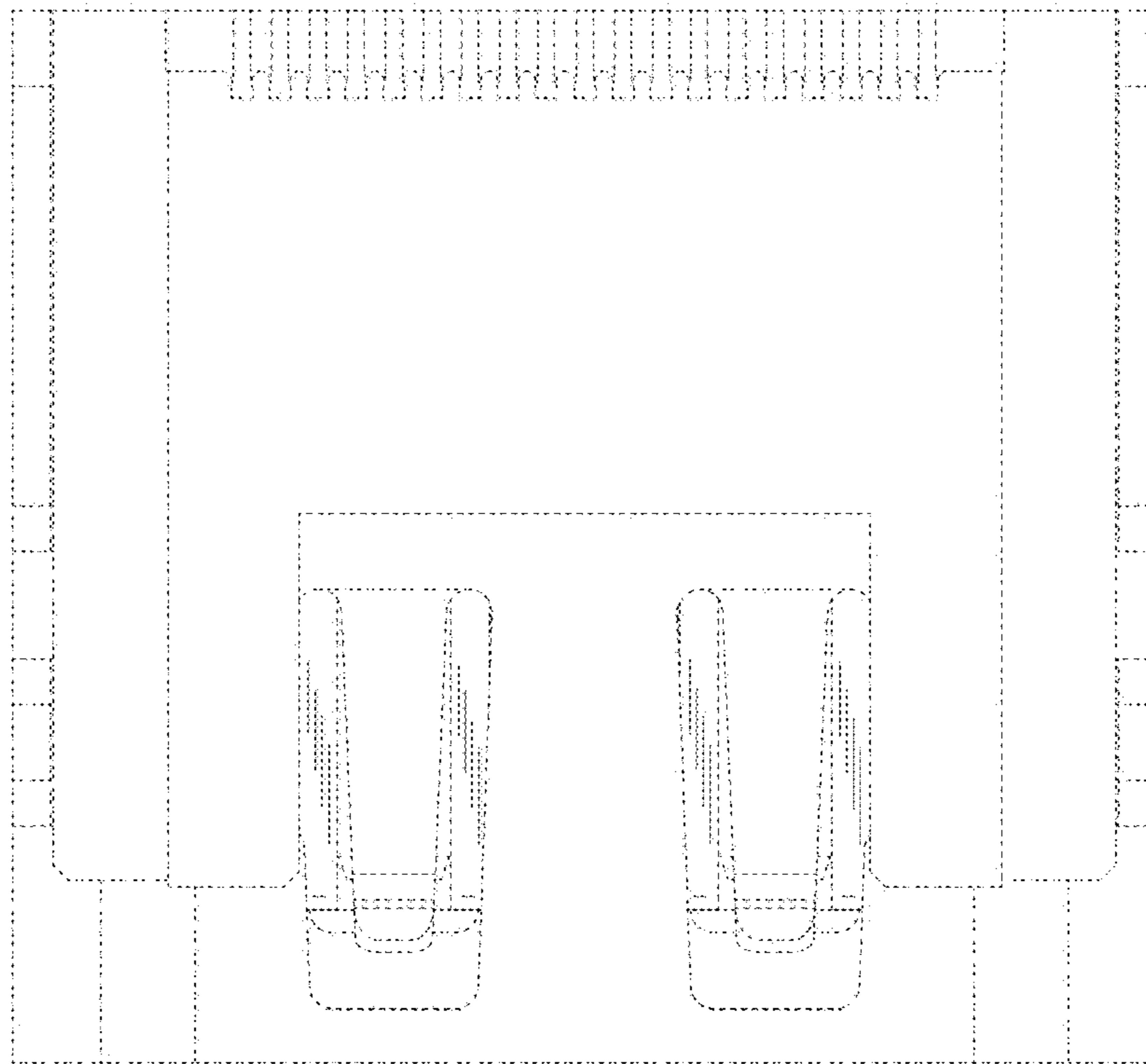


FIG. 8

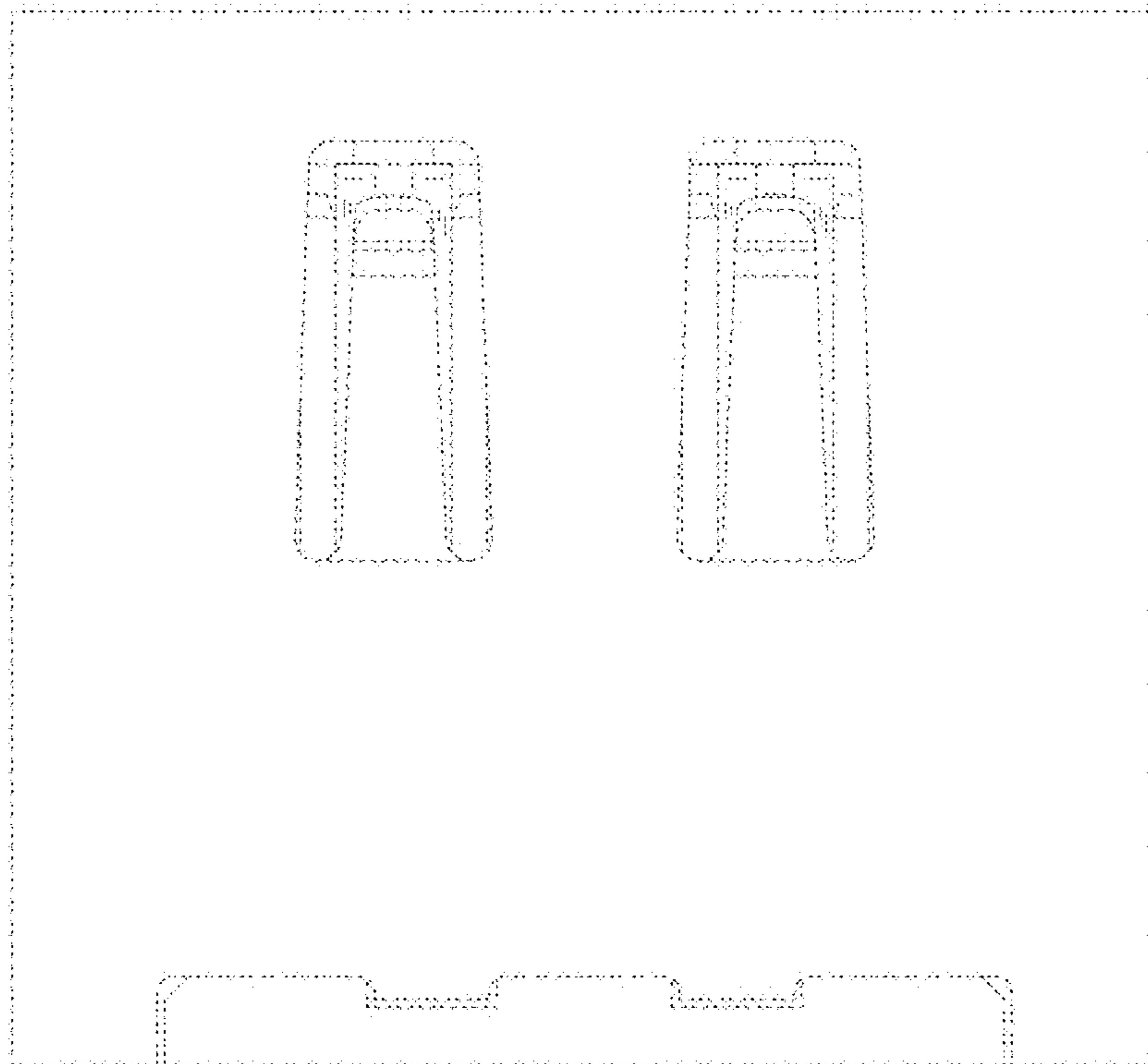


FIG. 9

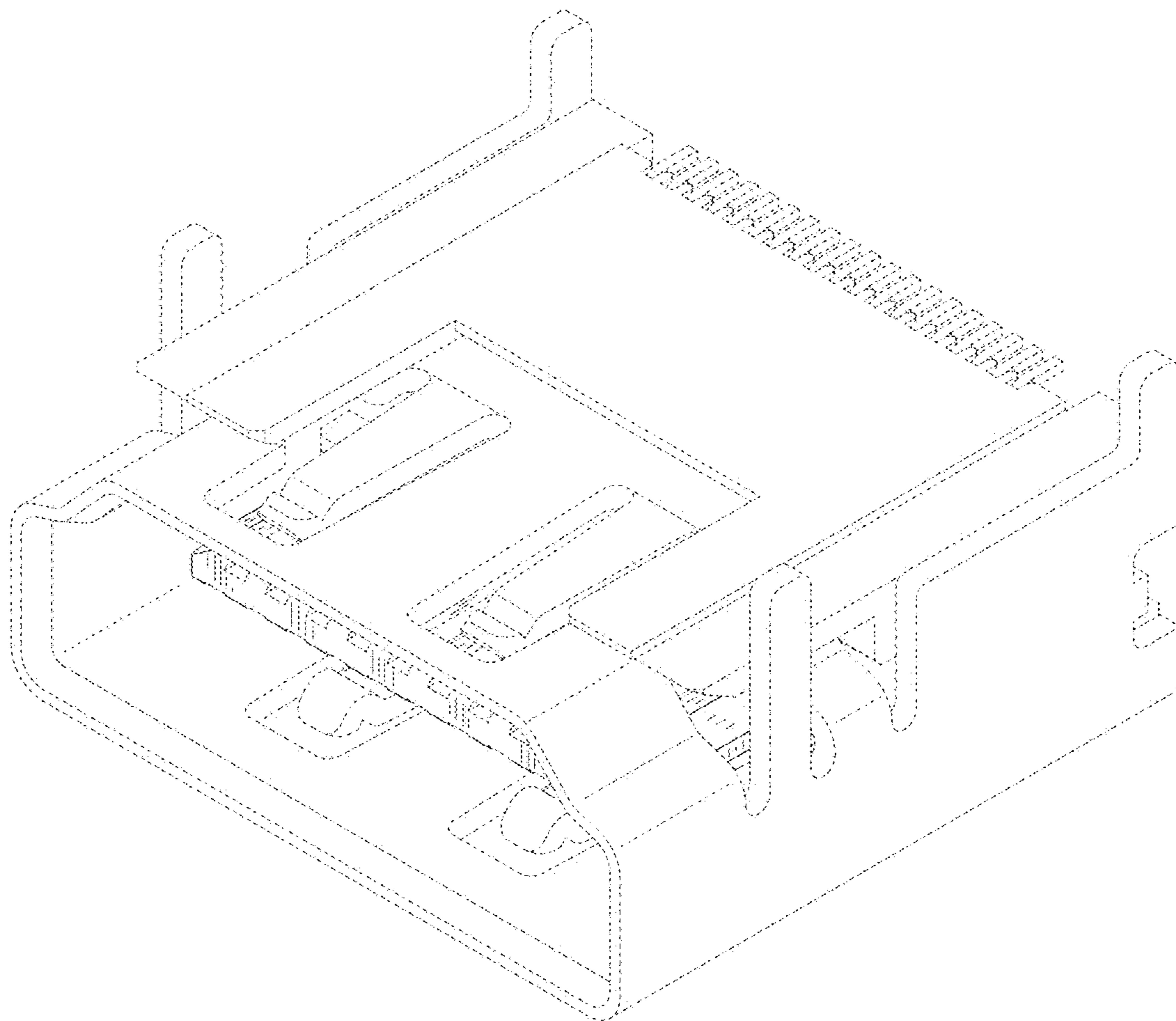


FIG. 10

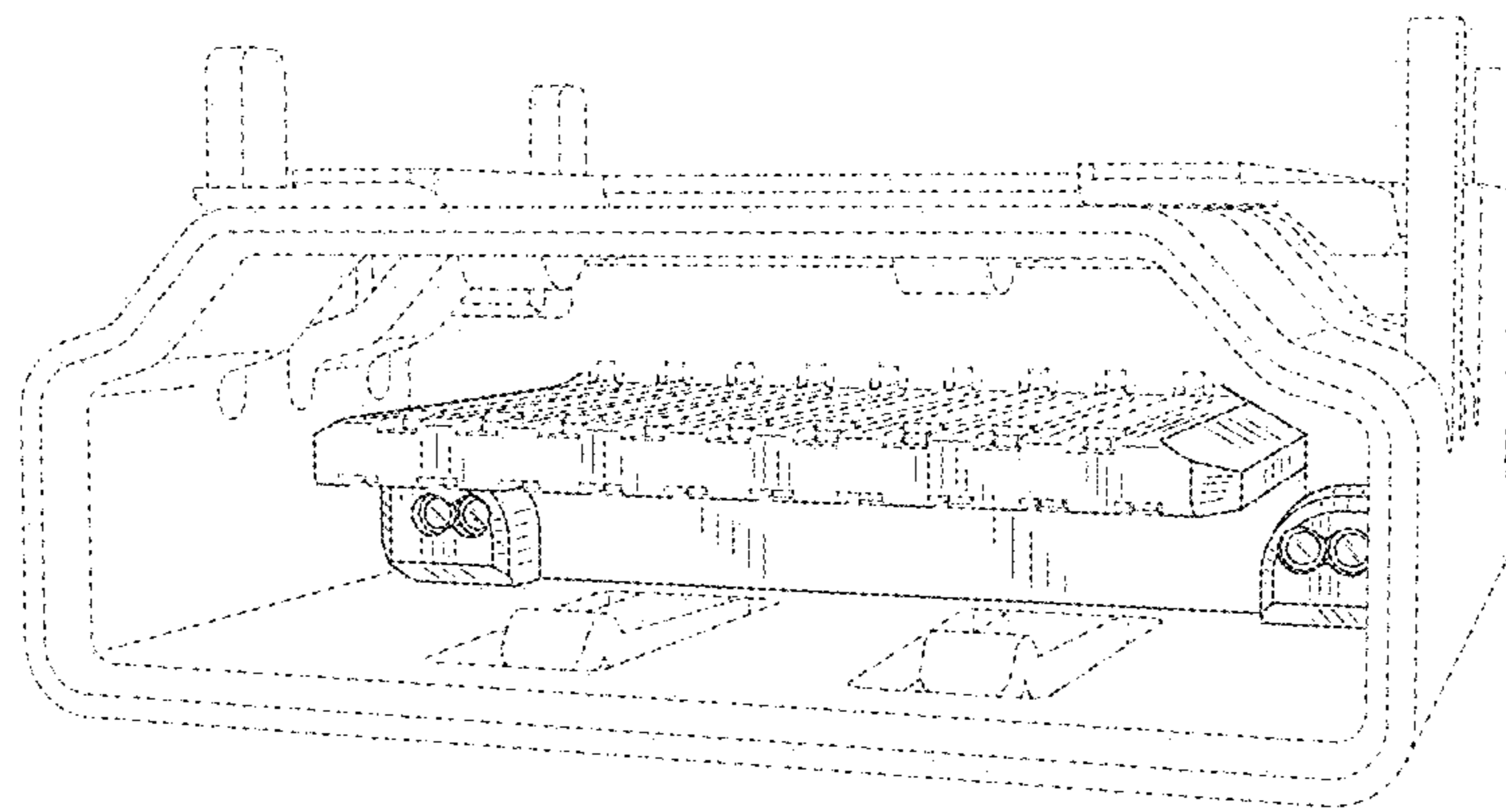


FIG. 11

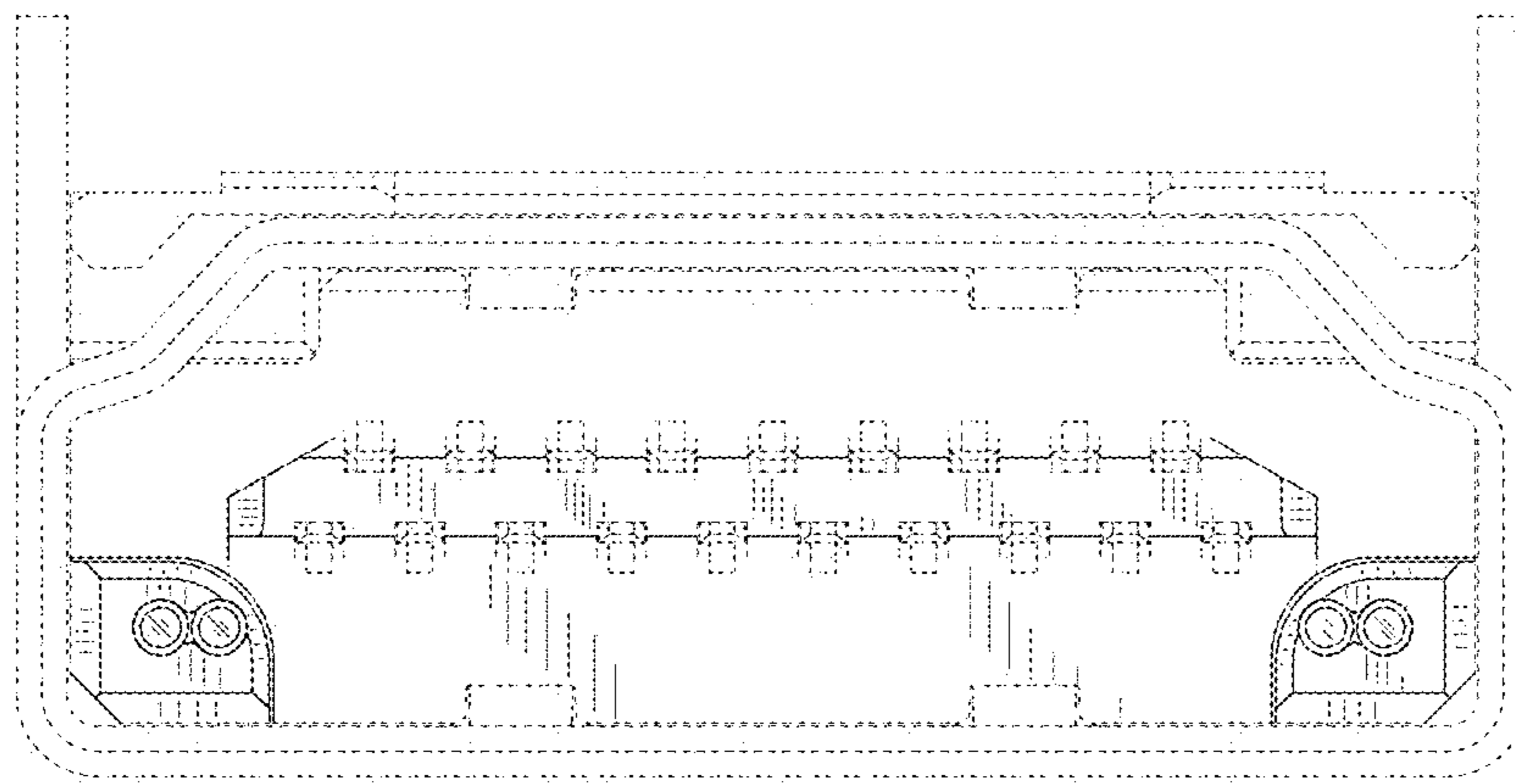


FIG. 12

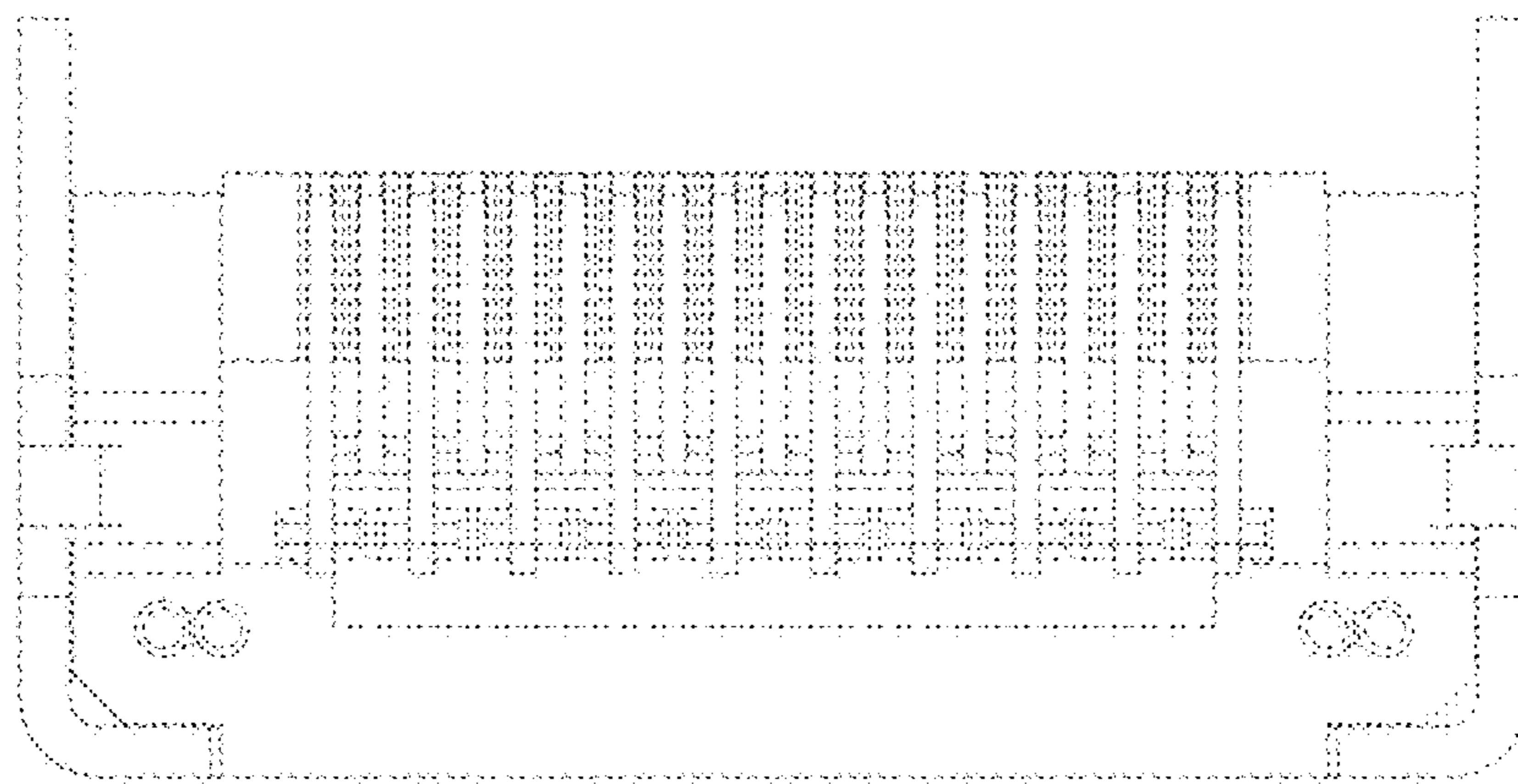


FIG. 13

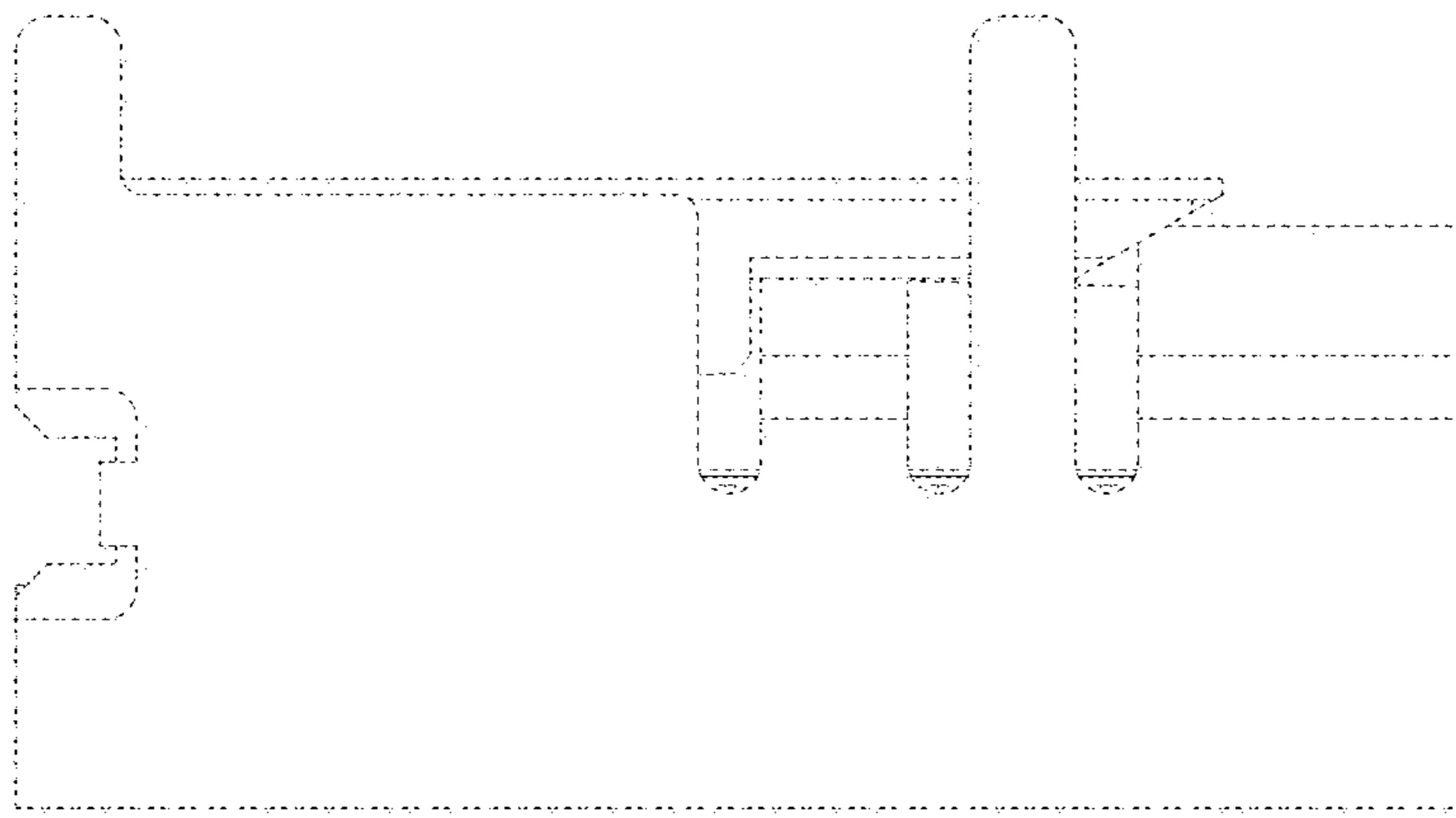


FIG. 14

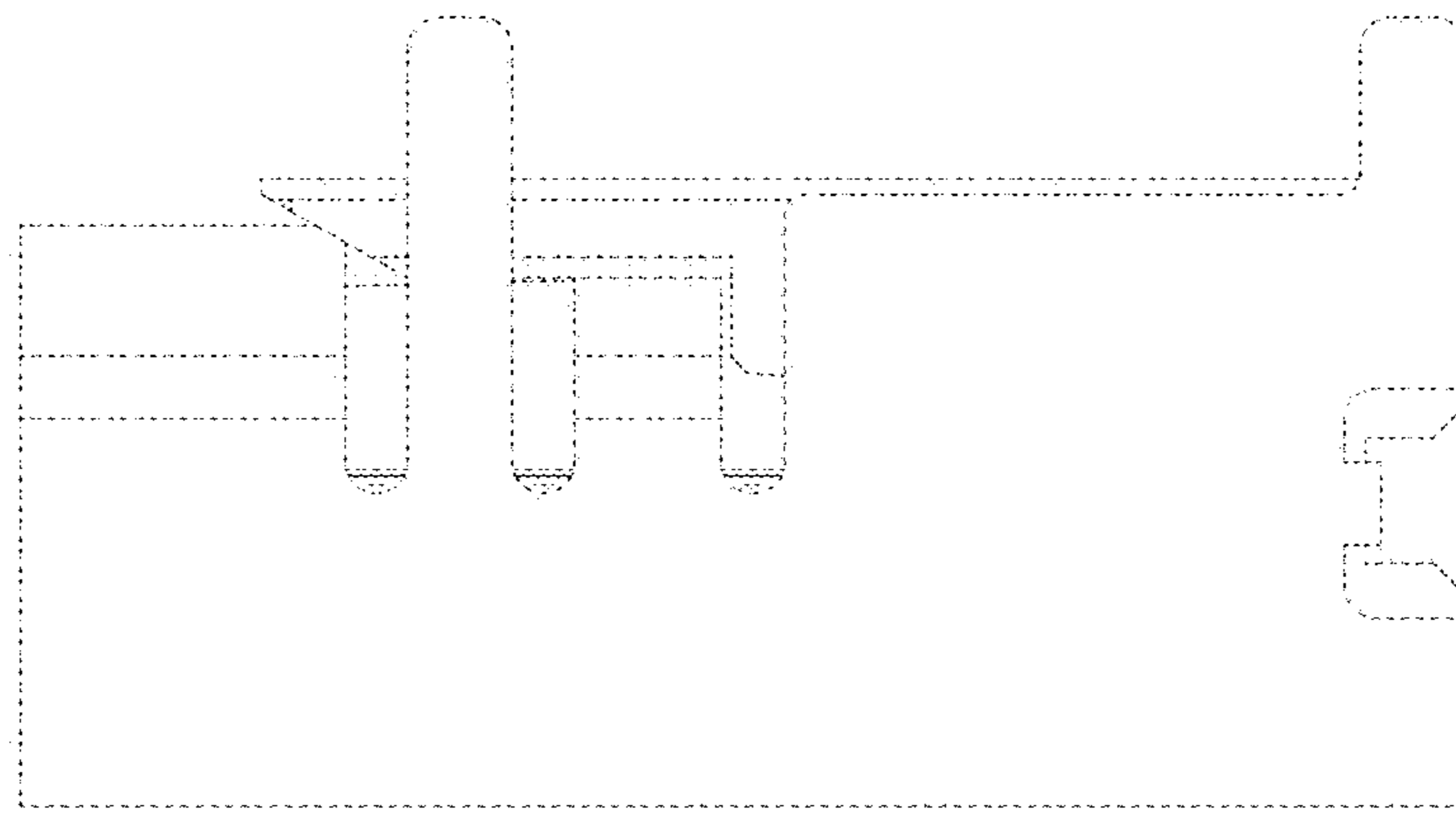


FIG. 15

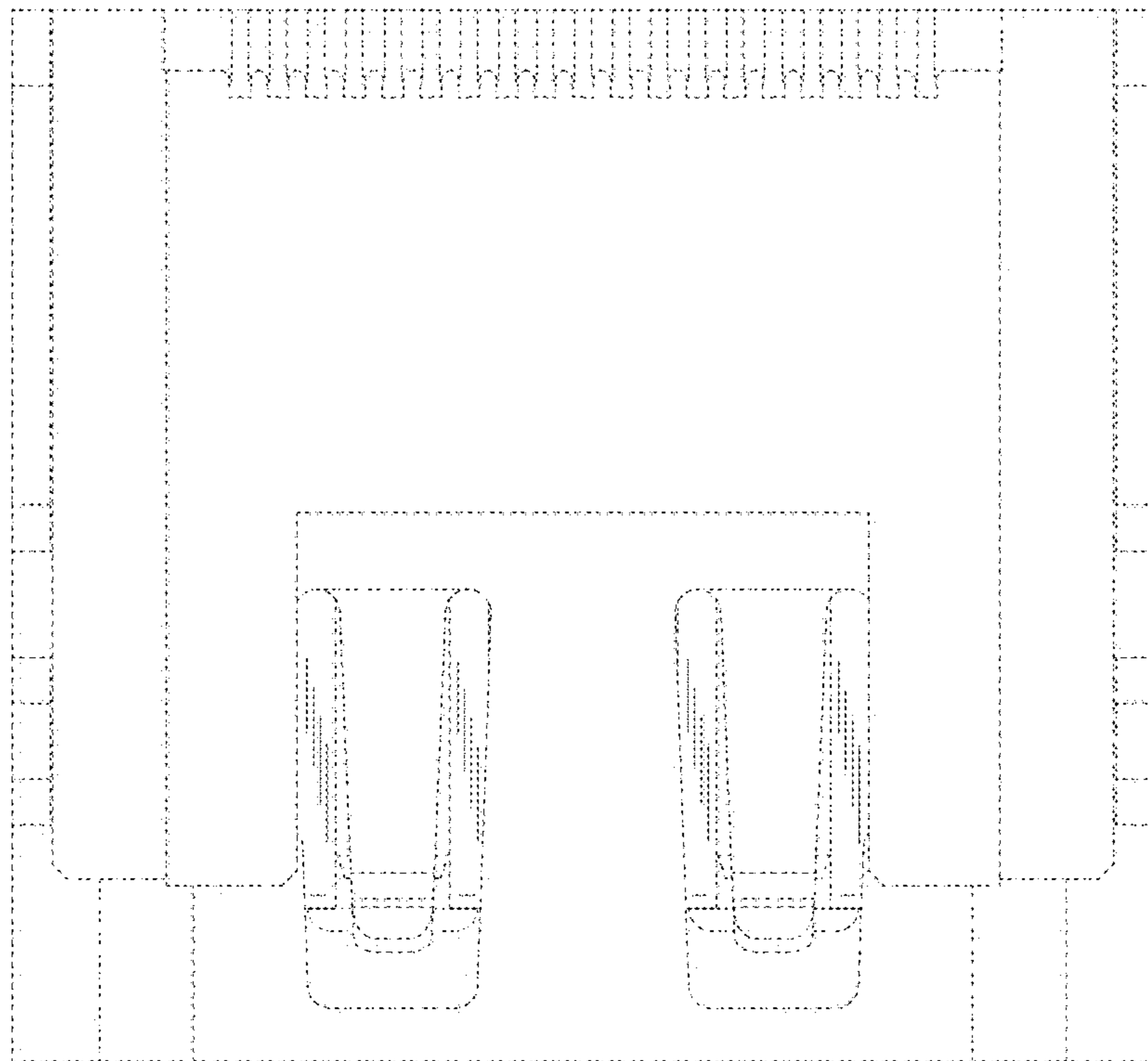


FIG. 16

