



US00D839835S

(12) **United States Design Patent**  
**Ishimaru**

(10) **Patent No.:** **US D839,835 S**

(45) **Date of Patent:** **\*\* Feb. 5, 2019**

(54) **ELECTRICAL CONNECTOR**

(71) Applicant: **DAI-ICHI SEIKO CO., LTD.**,  
Kyoto-shi (JP)

(72) Inventor: **Masao Ishimaru**, Ogori (JP)

(73) Assignee: **DAI-ICHI SEIKO CO., LTD.**,  
Kyoto-shi (JP)

(\*\*) Term: **15 Years**

(21) Appl. No.: **29/621,334**

(22) Filed: **Oct. 6, 2017**

(30) **Foreign Application Priority Data**

Apr. 7, 2017 (JP) ..... 2017-007494

(51) **LOC (11) Cl.** ..... **13-03**

(52) **U.S. Cl.**  
USPC ..... **D13/147**

(58) **Field of Classification Search**  
USPC ..... D13/133, 146, 147, 154, 184, 199  
See application file for complete search history.

(56) **References Cited**

**U.S. PATENT DOCUMENTS**

D597,488 S *	8/2009	Kikuchi	.....	D13/147
D608,291 S *	1/2010	Ikari	.....	D13/147
D609,187 S *	2/2010	Hamauchi	.....	D13/147
D624,506 S *	9/2010	Yotsutani	.....	D13/147
8,317,543 B2 *	11/2012	Tagawa	.....	H01R 12/79 439/374

D688,209 S *	8/2013	Nakajima	.....	D13/147
8,727,803 B2 *	5/2014	Kurachi	.....	H01R 12/88 439/497
D759,598 S *	6/2016	Aoki	.....	D13/147

\* cited by examiner

*Primary Examiner* — Daniel D Bui

(74) *Attorney, Agent, or Firm* — Oblon, McClelland,  
Maier & Neustadt, L.L.P.

(57) **CLAIM**

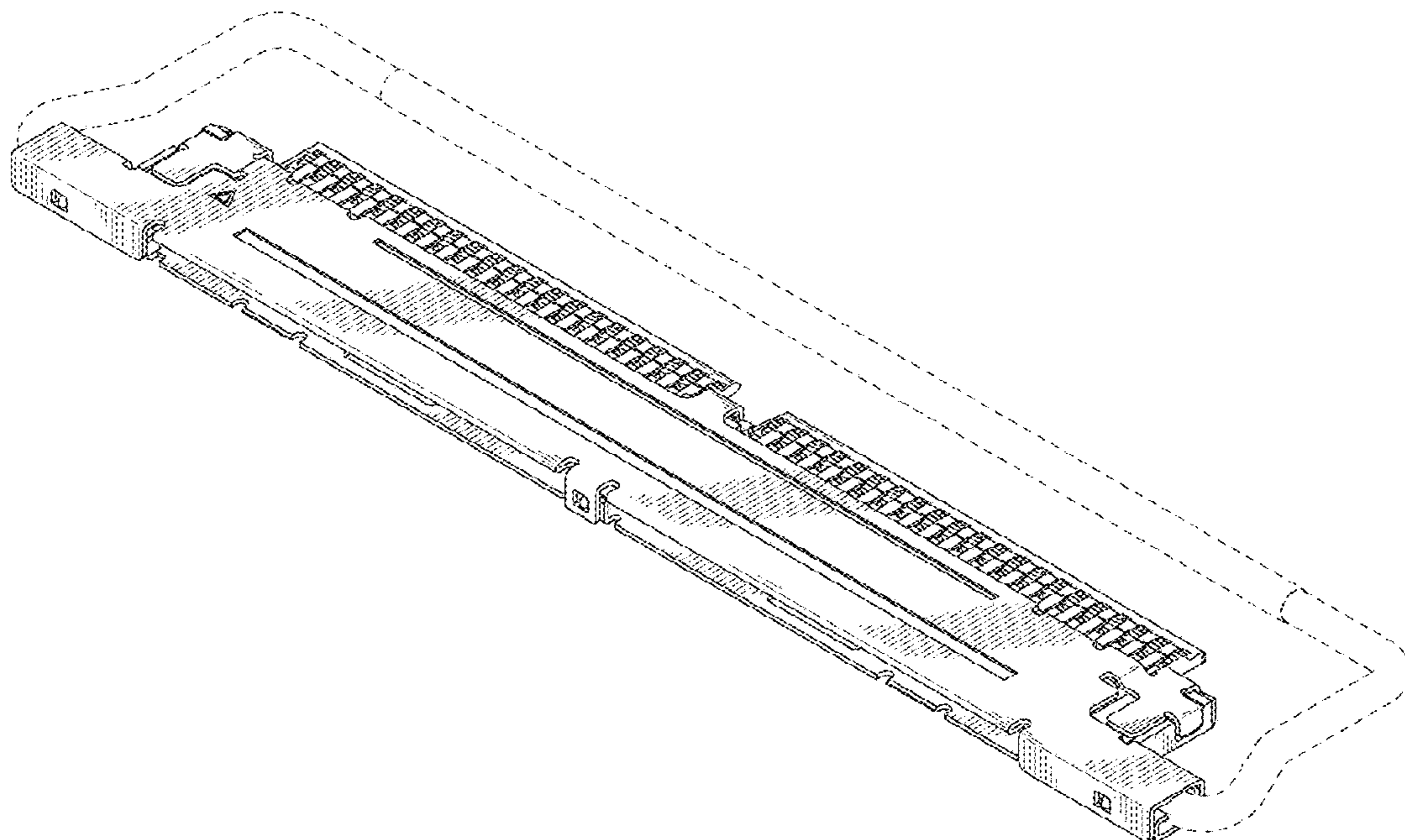
The ornamental design for an electrical connector, as shown and described.

**DESCRIPTION**

FIG. 1 is a front elevational view of an electrical connector showing my new design;  
 FIG. 2 is a rear elevational view thereof;  
 FIG. 3 is a top plan view thereof;  
 FIG. 4 is a bottom plan view thereof;  
 FIG. 5 is a right side elevational view thereof;  
 FIG. 6 is a left side elevational view thereof;  
 FIG. 7 is a front, top and right side perspective view thereof;  
 FIG. 8 is a rear, bottom and left side perspective view thereof;  
 FIG. 9 is an enlarged cross-sectional view along the line 9-9 in FIG. 3;  
 FIG. 10 is an enlarged cross-sectional view along the line 10-10 in FIG. 3; and,  
 FIG. 11 is a cross-sectional view along the line 11-11 in FIG. 3.

The broken lines in the drawings illustrate unclaimed environment only and form no part of the claimed design.

**1 Claim, 11 Drawing Sheets**



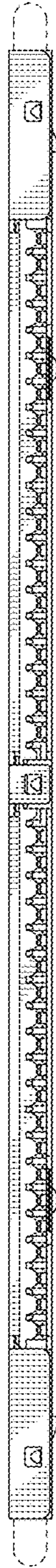


FIG. 1

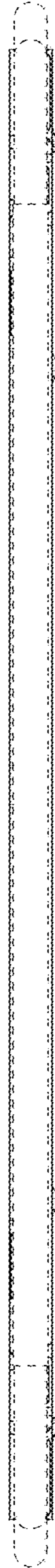


FIG. 2

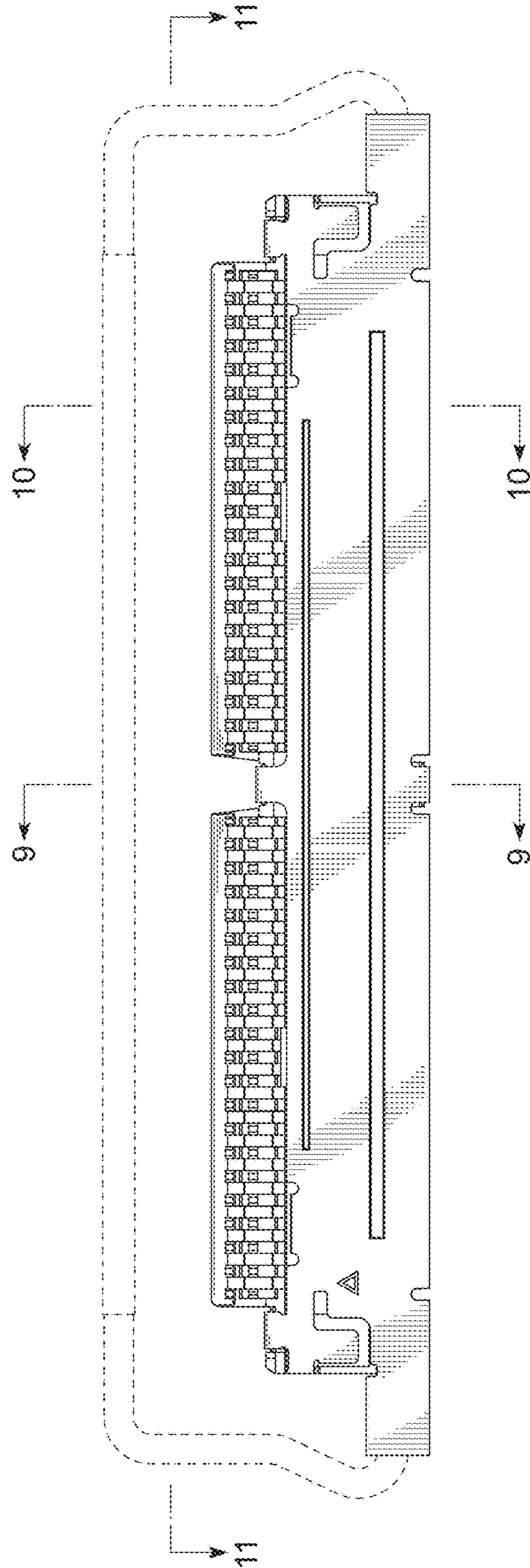


FIG. 3

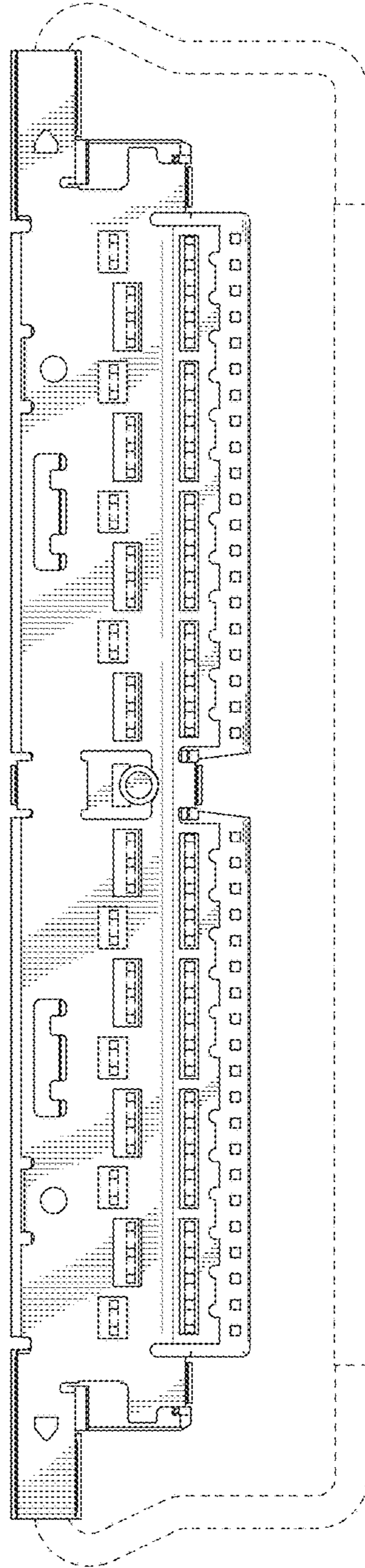


FIG. 4



FIG. 5

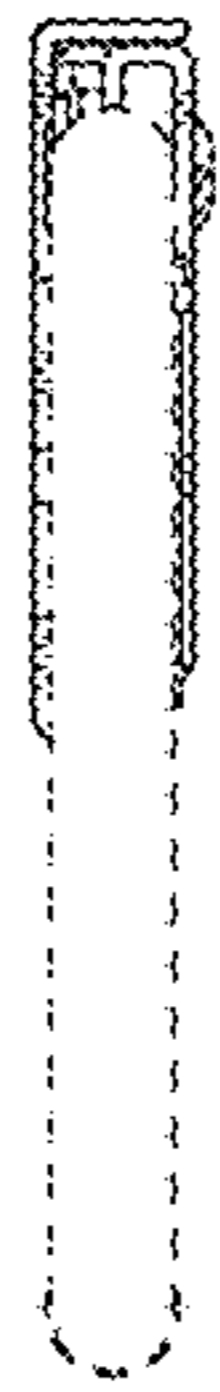


FIG. 6

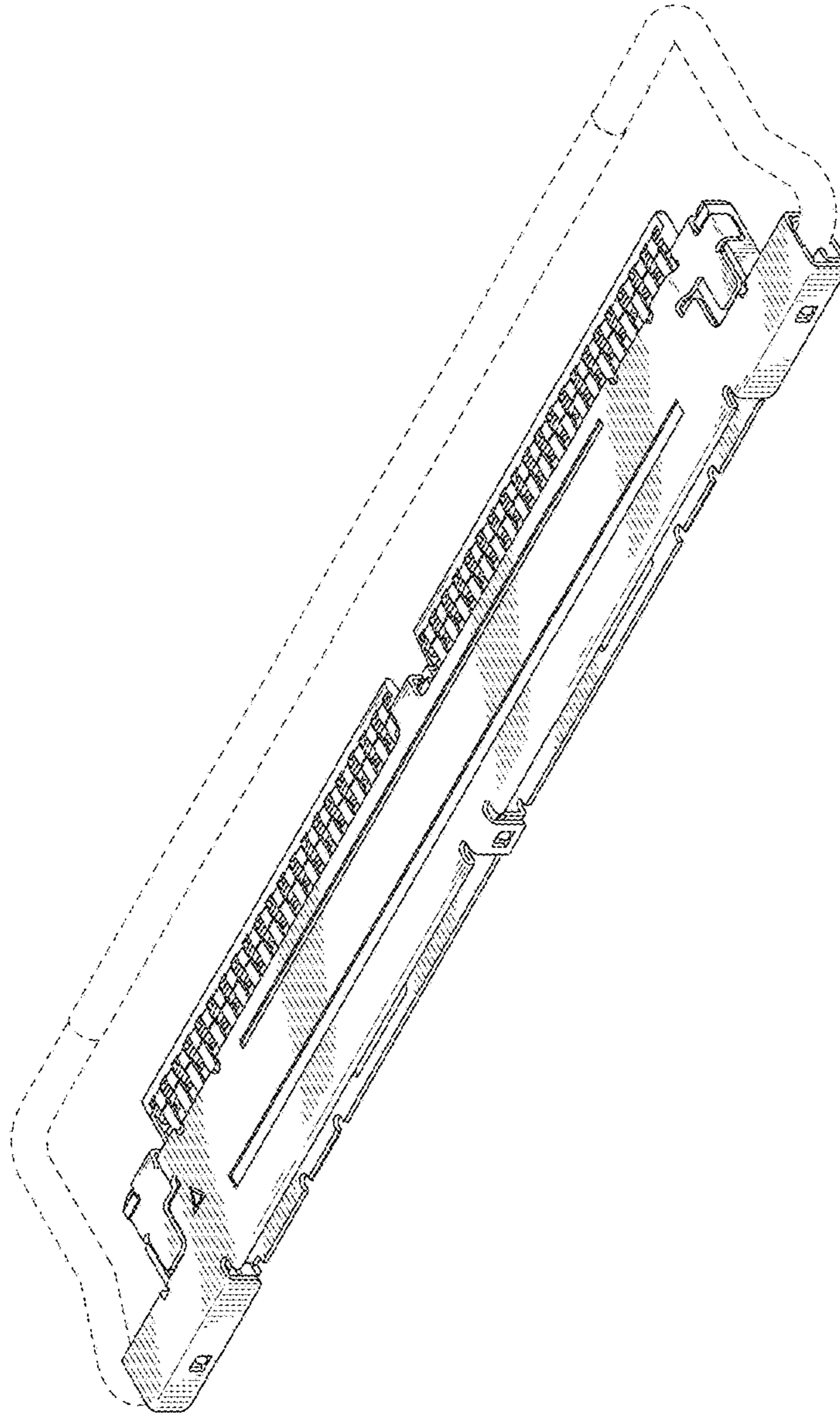


FIG. 7



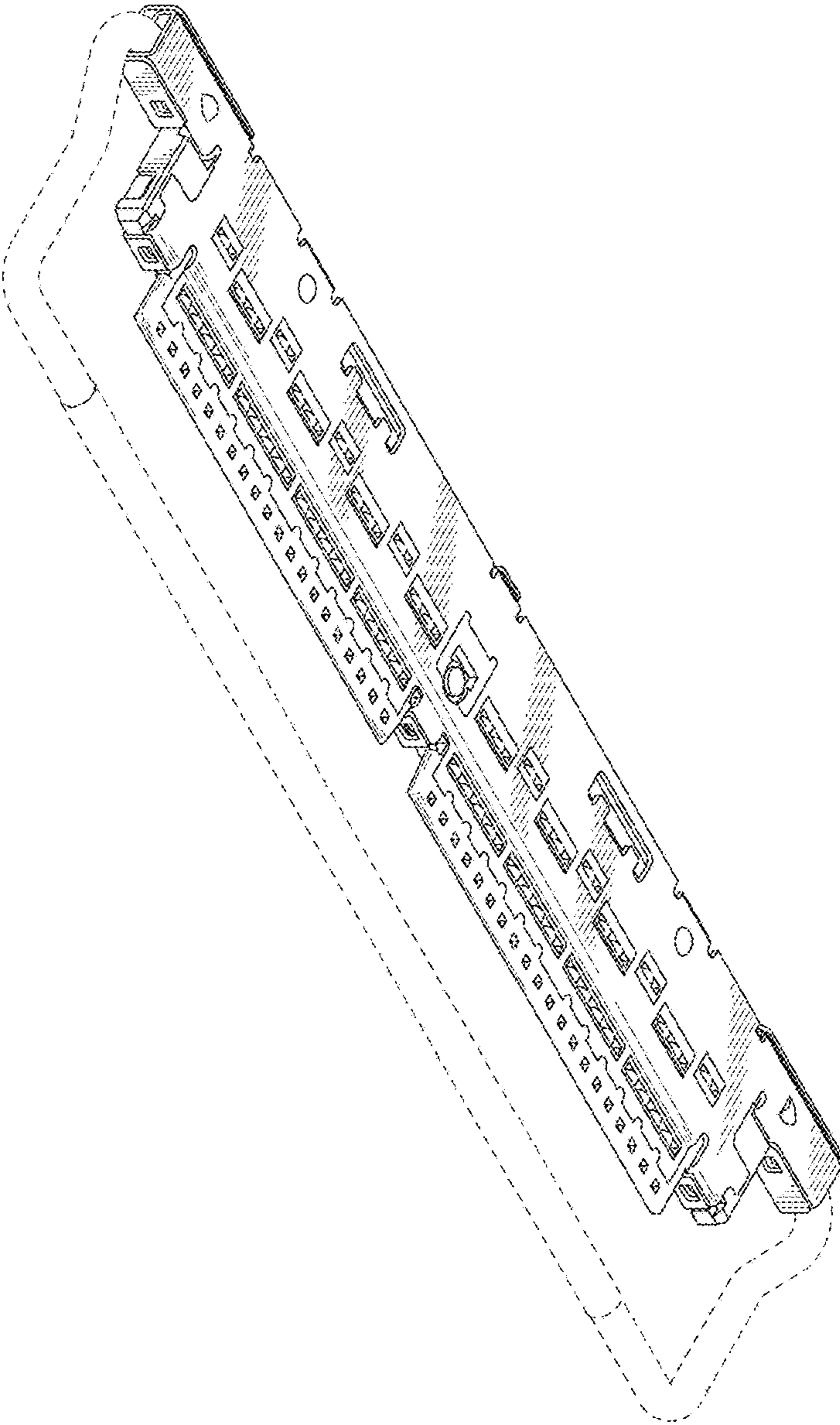


FIG. 8

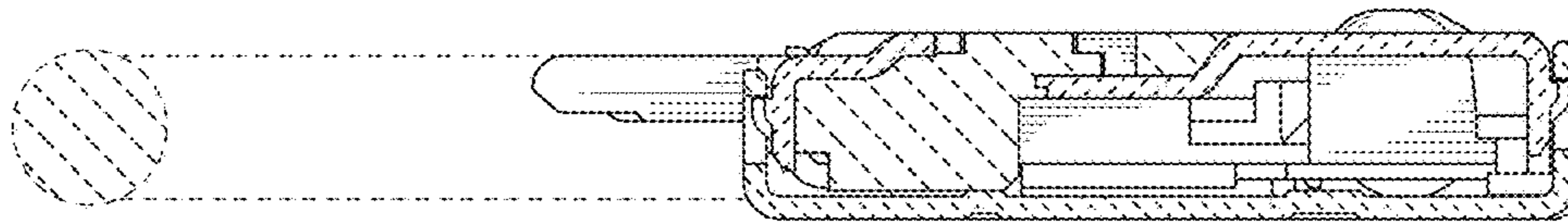


FIG. 9

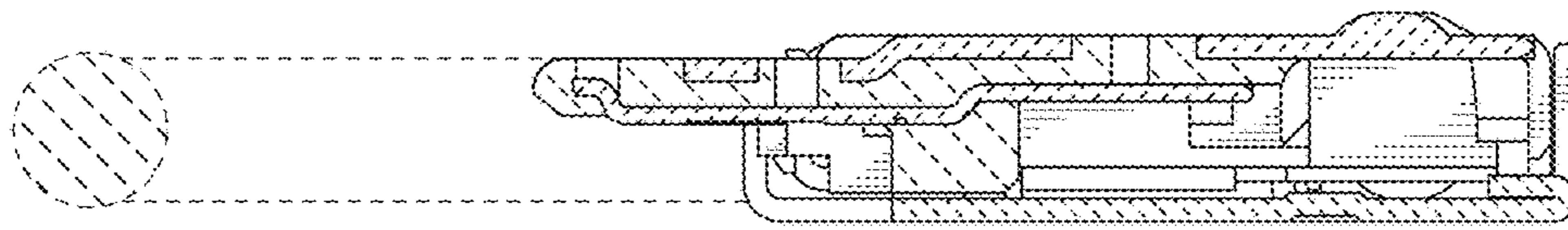


FIG. 10



FIG. 11