



US00D839834S

(12) **United States Design Patent**  
**Endo et al.**

(10) **Patent No.:** **US D839,834 S**  
(45) **Date of Patent:** **\*\* Feb. 5, 2019**

(54) **ELECTRICAL CONNECTOR HOUSING**

(71) Applicant: **Dai-ichi Seiko Co., Ltd.**, Kyoto-shi,  
Kyoto (JP)

(72) Inventors: **Takayoshi Endo**, Shizuoka (JP);  
**Shunya Oohashi**, Shizuoka (JP)

(73) Assignee: **DAI-ICHI SEIKO CO., LTD.**, Kyoto  
(JP)

(\*\*) Term: **15 Years**

(21) Appl. No.: **29/614,616**

(22) Filed: **Aug. 21, 2017**

(30) **Foreign Application Priority Data**

Jun. 13, 2017 (JP) ..... 2017-012619

(51) **LOC (11) Cl.** ..... **13-03**

(52) **U.S. Cl.**  
USPC ..... **D13/147**

(58) **Field of Classification Search**  
USPC ..... D13/110, 112, 118, 120, 122, 123, 133,  
D13/146, 147, 154, 173, 184, 199  
CPC ... H01R 4/24; H01R 4/48; H01R 9/22; H01R  
9/24; H01R 13/02; H01R 13/04; H01R  
13/15; H01R 13/40; H01R 13/432; H01R  
13/44; H01R 13/514; H01R 13/60; H01R  
13/62; H01R 13/627; H01R 13/639;  
H01R 13/64; H01R 24/00; H01R 31/00;  
H01R 31/08; H01R 12/22; H01R 13/46  
See application file for complete search history.

(56) **References Cited**

**U.S. PATENT DOCUMENTS**

D210,533 S \* 3/1968 Pauza ..... 174/138 F  
D293,313 S \* 12/1987 Justiano ..... D13/133  
(Continued)

**FOREIGN PATENT DOCUMENTS**

JP 2000-067959 A 3/2000  
JP 2002-151191 A 5/2002

**OTHER PUBLICATIONS**

Gikfun 2 Pin and 3 Pin Screw Terminal Block Connector, dated Sep. 15, 2015, [online], [site visited Apr. 24, 2018]. Available from Internet, <URL:https://www.amazon.com/dp/B015E3O4GS/ref=sspa\_dk\_detail\_4?psc=1&pd\_rd\_i=B015E3O4GS&pd\_rd\_wg=fQFye&pd\_rd\_r=CFSHA3ZB8T7VWEQWVFYS&pd\_rd\_w=i3UWA>.\*

(Continued)

*Primary Examiner* — Angela J Lee

*Assistant Examiner* — Shawn T Gingrich

(74) *Attorney, Agent, or Firm* — K&L Gates LLP; Louis C. Cullman; Georgia N. Kefallinos

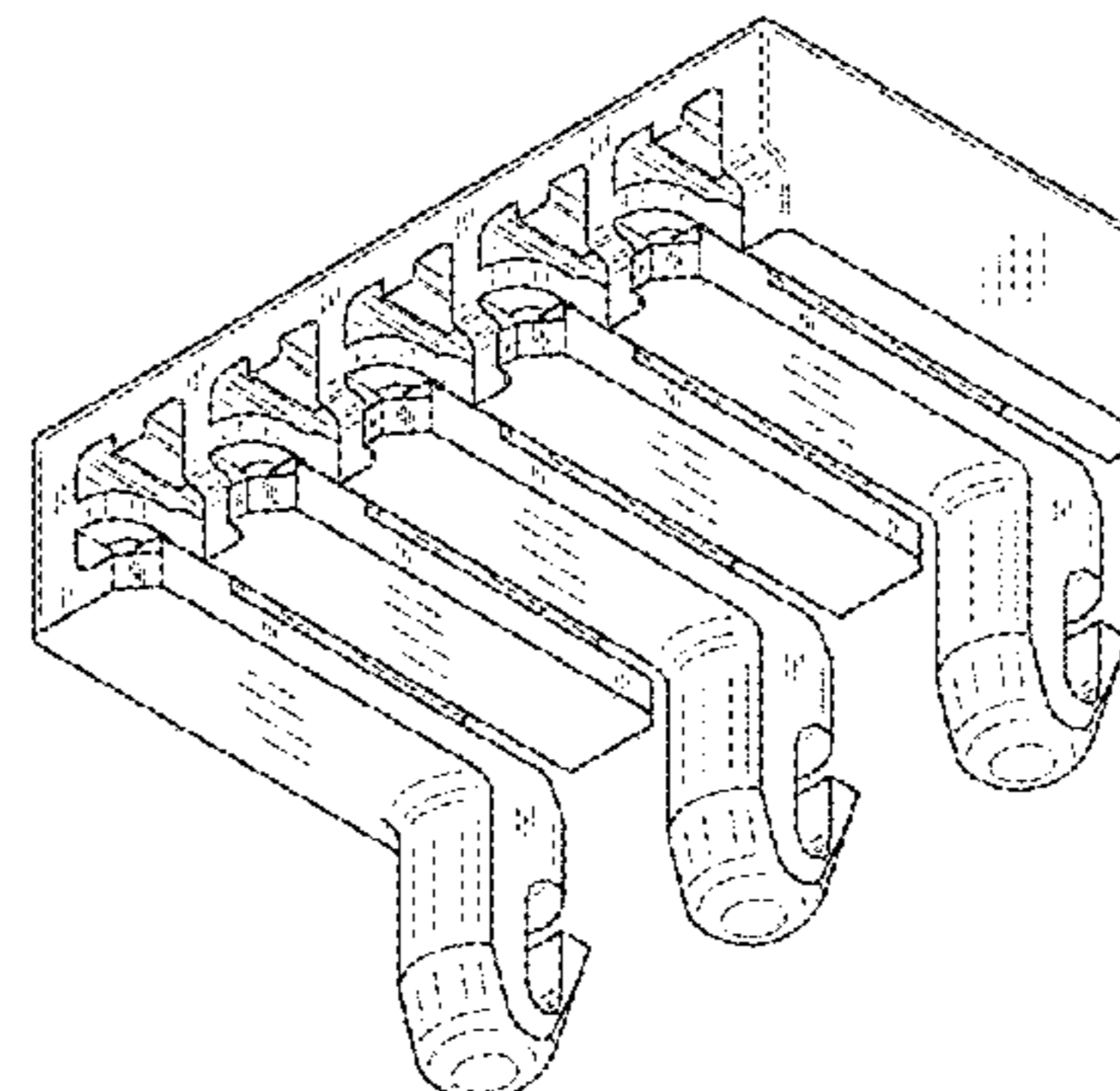
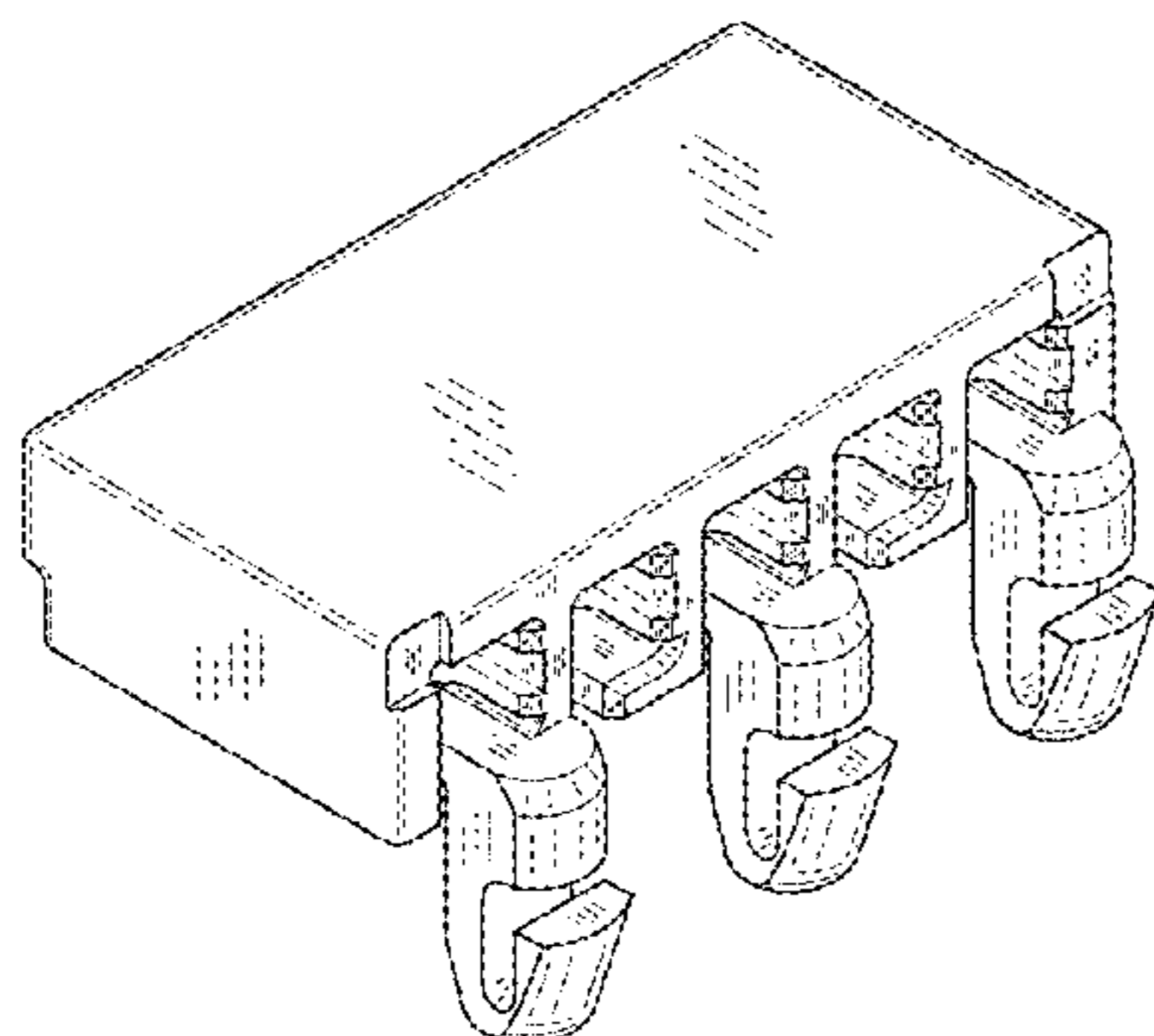
(57) **CLAIM**

The ornamental design for an electrical connector housing, as shown and described.

**DESCRIPTION**

FIG. 1 is a front view of an electrical connector housing of my design.  
FIG. 2 is a back view of the electrical connector housing of FIG. 1.  
FIG. 3 is a first side view of the electrical connector housing of FIG. 1.  
FIG. 4 is a second side view of the electrical connector housing of FIG. 1.  
FIG. 5 is a top view of the electrical connector housing of FIG. 1.  
FIG. 6 is a bottom view of the electrical connector housing of FIG. 1.  
FIG. 7 is a top perspective view of the electrical connector housing of FIG. 1; and,  
FIG. 8 is a bottom perspective view of the electrical connector housing of FIG. 1.

(Continued)



Broken lines shown in the figures are included for the purpose of illustrating portions of the electrical connector housing and form no part of the claimed design.

**1 Claim, 8 Drawing Sheets**

(56) **References Cited**

U.S. PATENT DOCUMENTS

5,106,318 A \* 4/1992 Endo ..... H01R 31/08  
439/189  
5,651,697 A \* 7/1997 Cinquegrani ..... H01R 13/6272  
439/374  
D598,856 S \* 8/2009 Stromiedel ..... D13/133  
D618,619 S \* 6/2010 Walter ..... D13/147  
D647,483 S \* 10/2011 Goto ..... D13/147  
D663,693 S \* 7/2012 Smith ..... D13/146  
D676,391 S \* 2/2013 Gassauer ..... D13/147  
D751,990 S \* 3/2016 Ikeda ..... D13/147  
2012/0122354 A1 \* 5/2012 Chen ..... H01R 13/432  
439/746  
2014/0016902 A1 \* 1/2014 Pepe ..... G02B 6/3893  
385/76  
2016/0006176 A1 \* 1/2016 Kollmann ..... H01R 4/4836  
439/346

OTHER PUBLICATIONS

Design HMI Terminals, dated Apr. 14, 2017, [online], [site visited Apr. 24, 2018]. Available from Internet, <URL:<http://www.designhmi.com/2017/04/14/press-fit-terminals/>>.\*

\* cited by examiner

FIG. 1

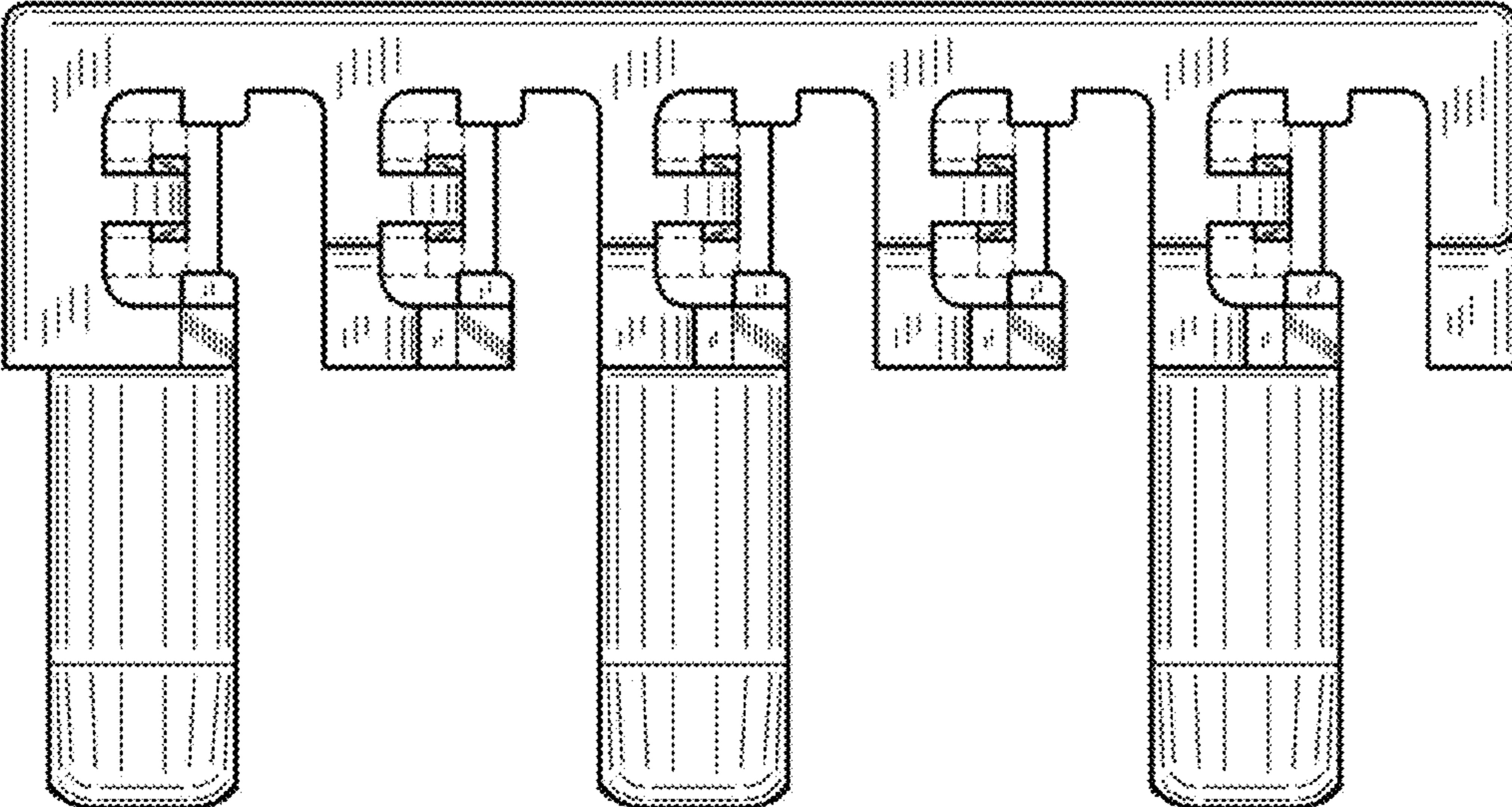
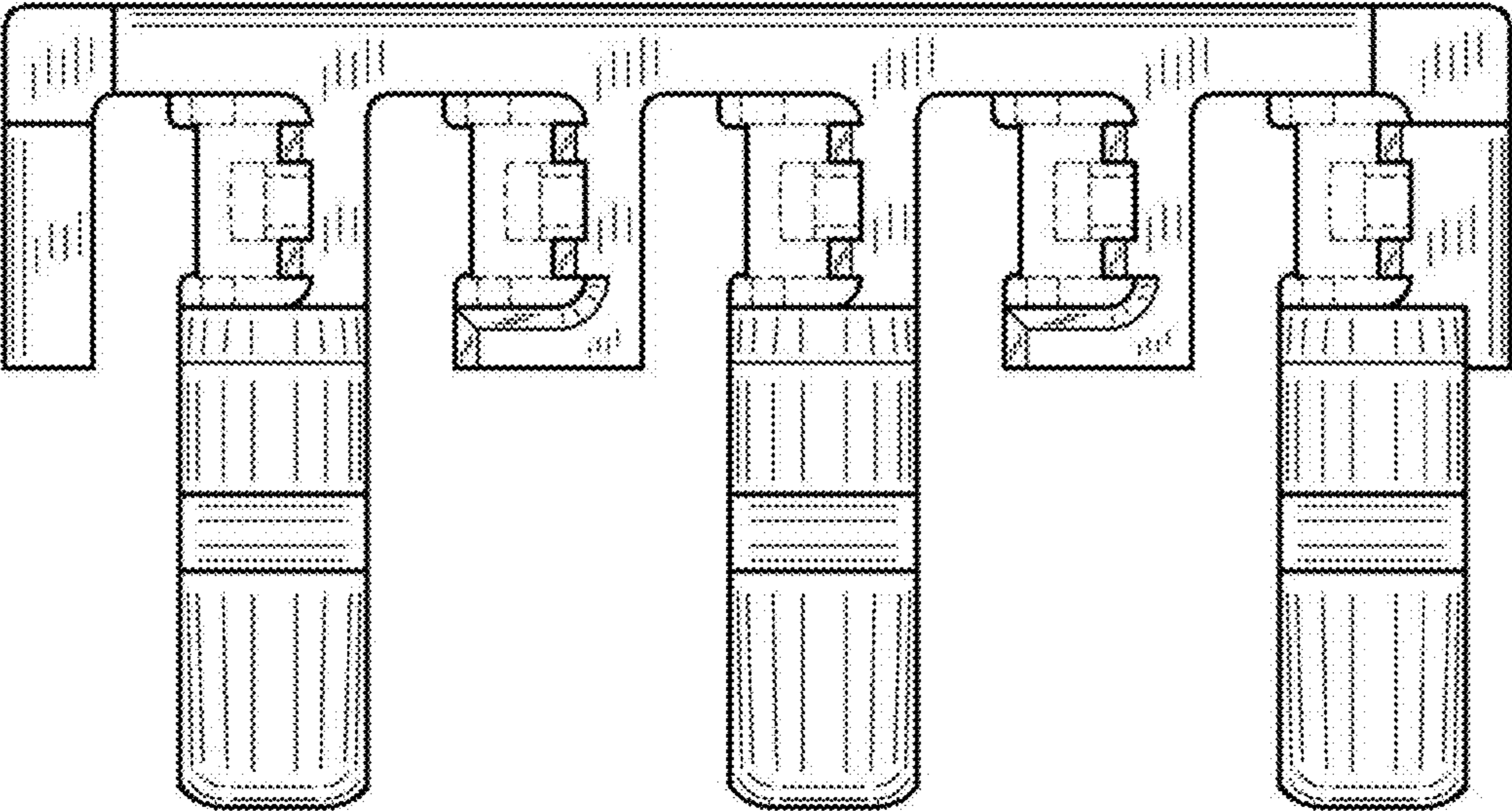


FIG. 2



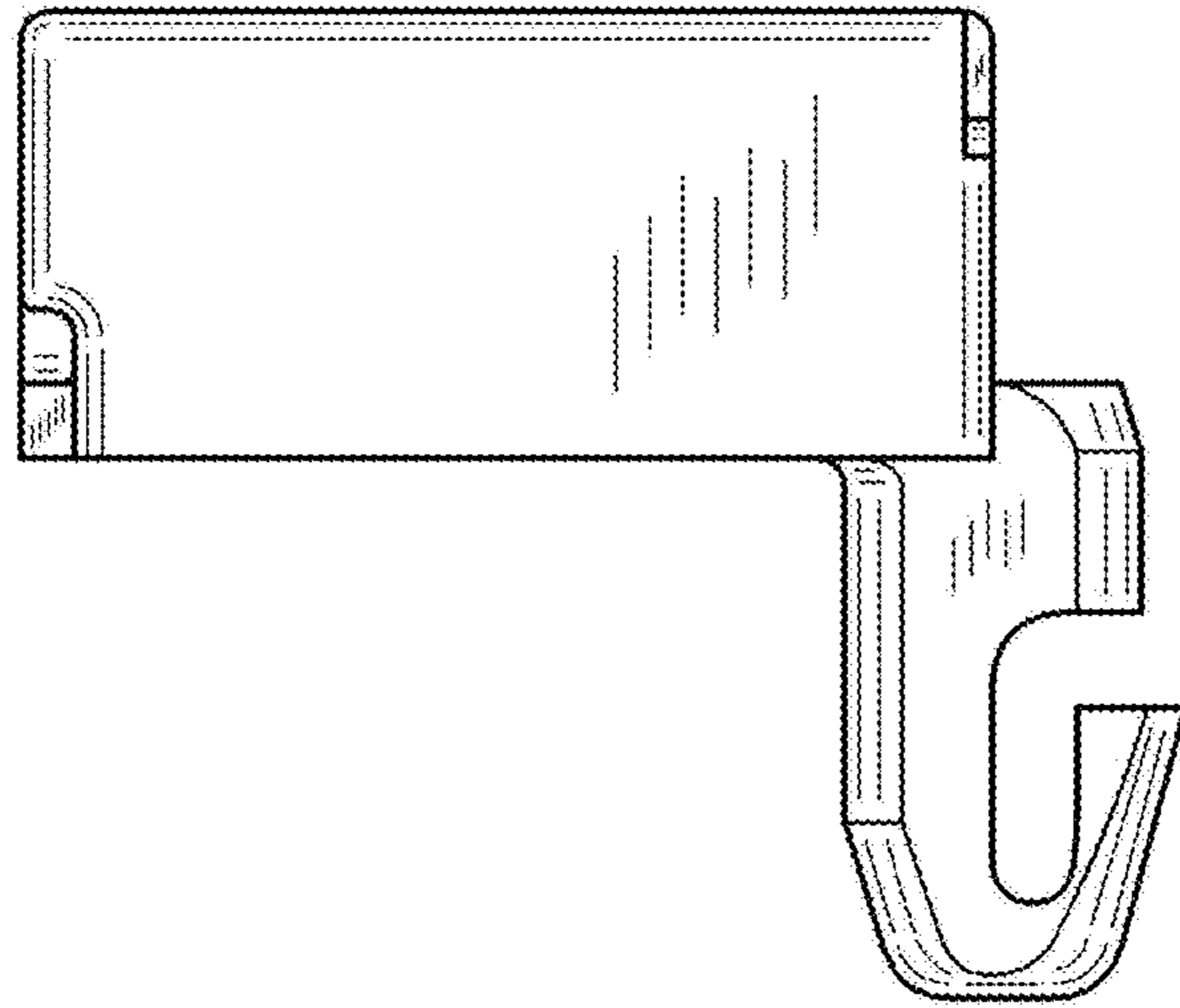


FIG 3.

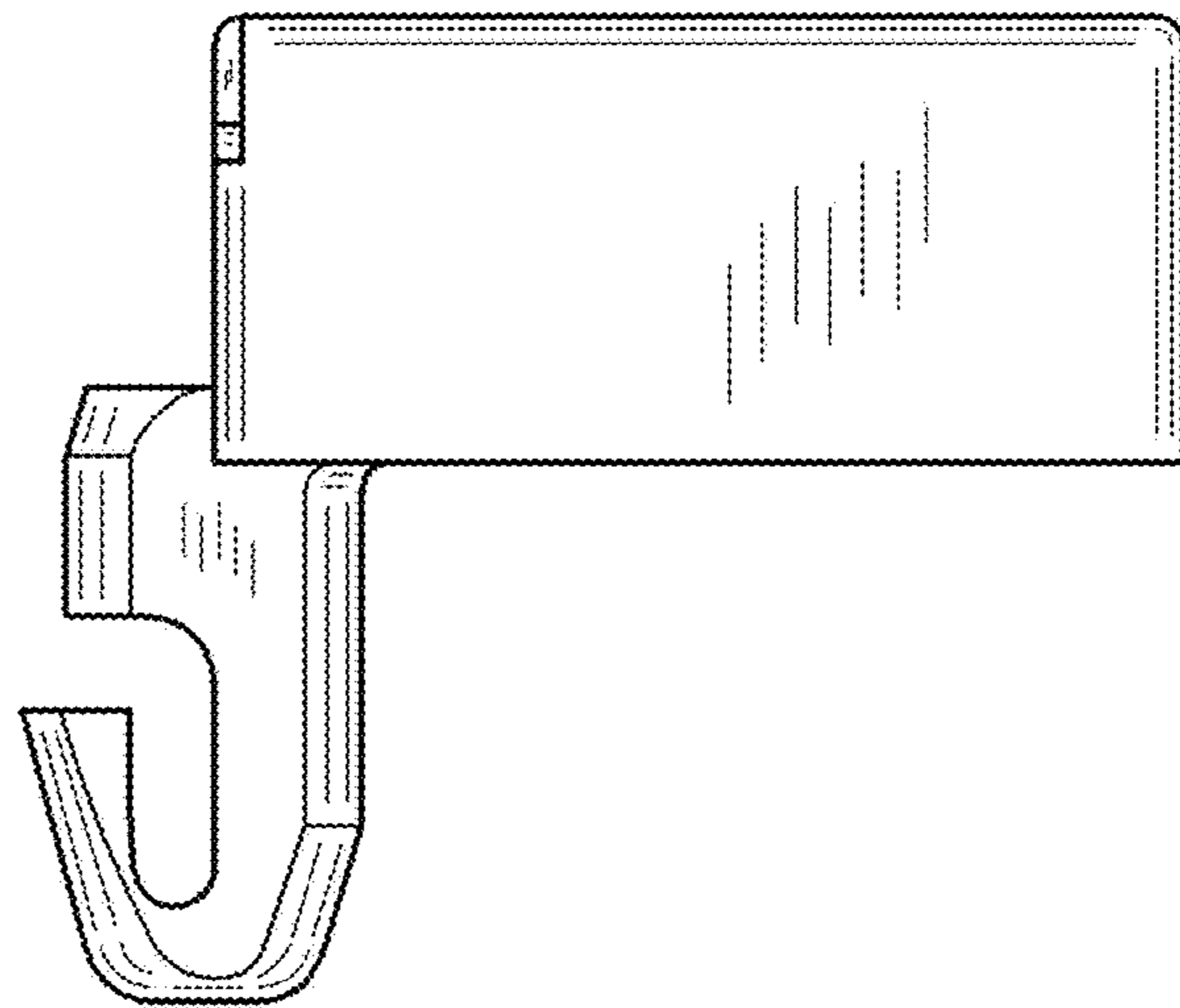


FIG. 4

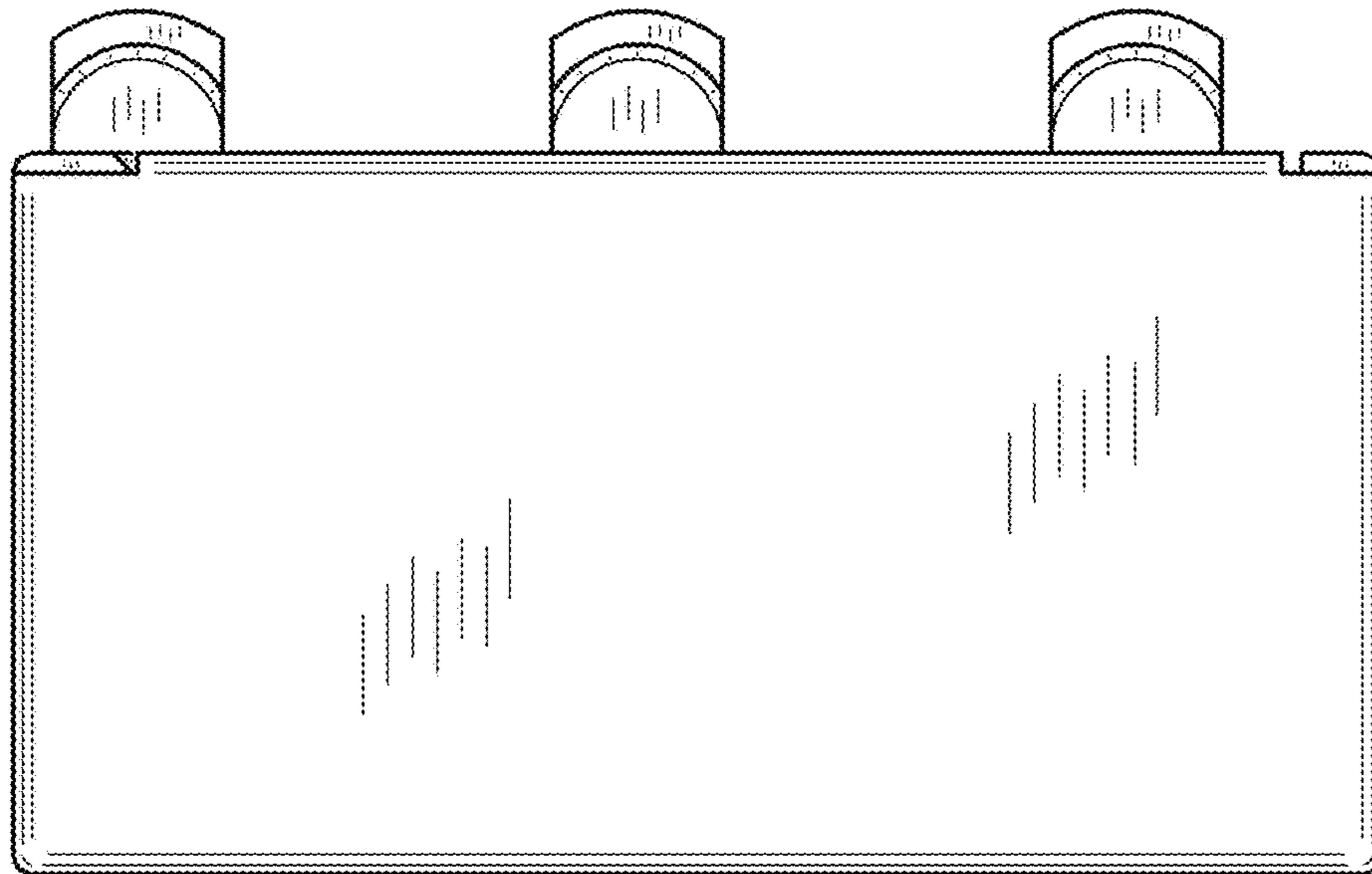


FIG. 5

FIG. 6

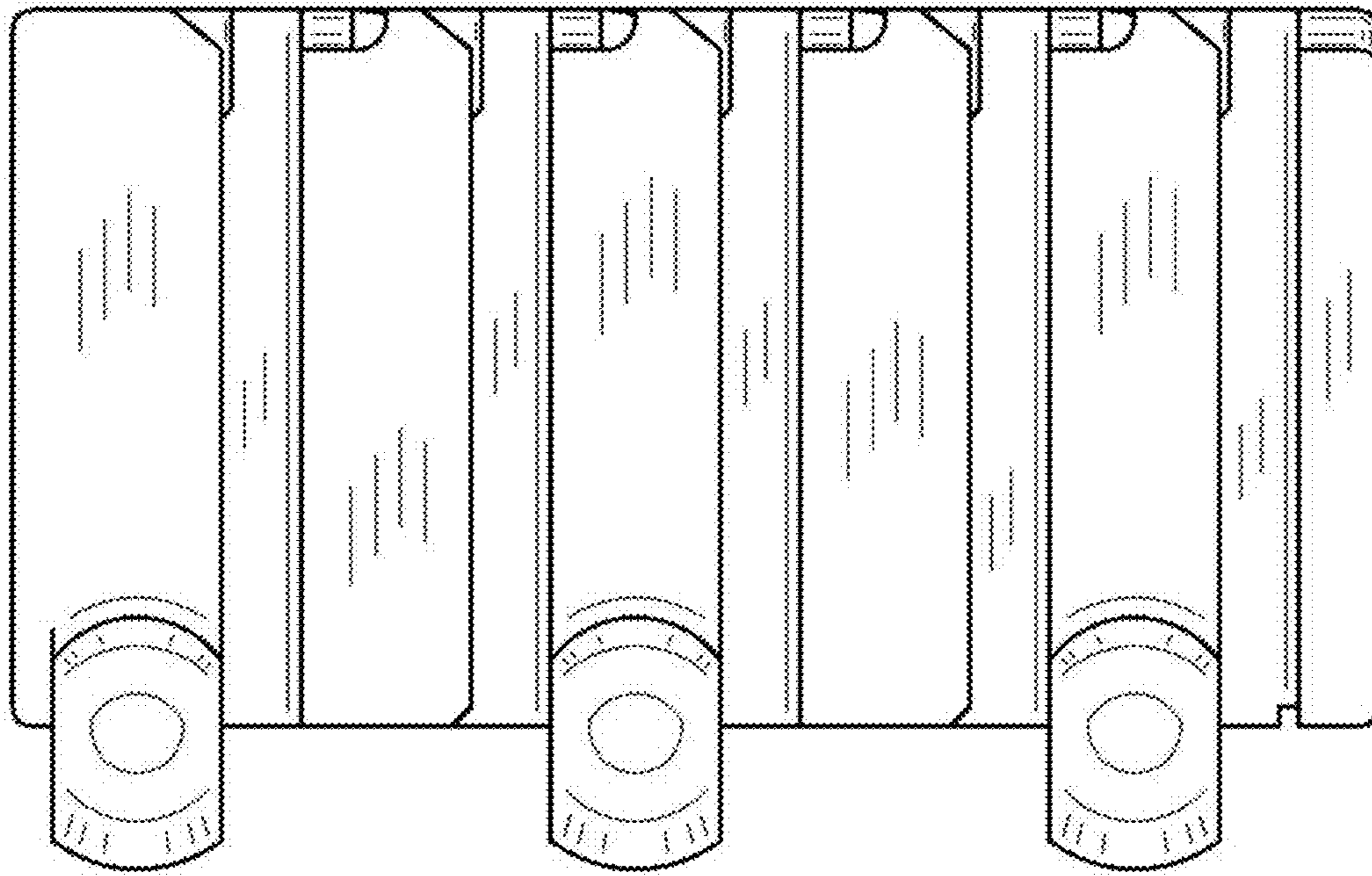




FIG. 7

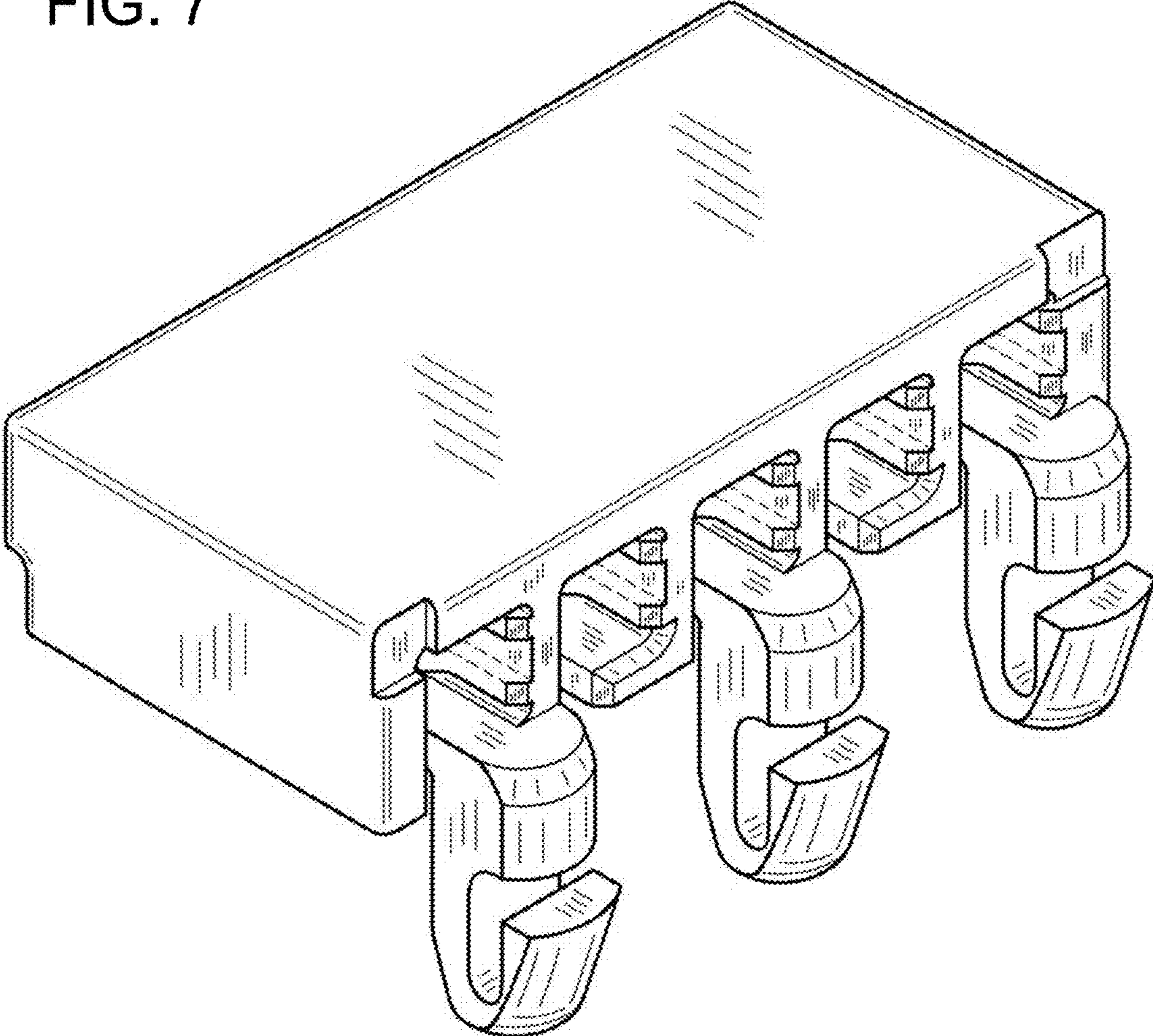


FIG. 8

