



US00D839832S

(12) **United States Design Patent**
Yanase et al.

(10) **Patent No.:** **US D839,832 S**

(45) **Date of Patent:** **** Feb. 5, 2019**

(54) **ELECTRICAL CONNECTOR**

(71) Applicant: **SMK Corporation**, Tokyo (JP)

(72) Inventors: **Tomoyasu Yanase**, Tokyo (JP); **Kiyoshi Asai**, Kanagawa (JP); **Fumio Osawa**, Tokyo (JP)

(73) Assignee: **SMK Corporation**, Tokyo (JP)

(**) Term: **15 Years**

(21) Appl. No.: **29/592,591**

(22) Filed: **Jan. 31, 2017**

(30) **Foreign Application Priority Data**

Aug. 2, 2016 (JP) 2016-016518
Nov. 15, 2016 (JP) 2016-024760

(51) **LOC (11) Cl.** **13-03**

(52) **U.S. Cl.**
USPC **D13/147**

(58) **Field of Classification Search**
USPC D13/110, 118, 120, 123, 133, 145-147,
D13/149, 154, 156, 173, 184, 199
CPC H01R 12/00; H01R 12/51; H01R 12/70;
H01R 12/72; H01R 13/00; H01R 13/15;
H01R 13/62; H01R 13/627; H01R
13/639; H01R 13/64; H01R 13/65; H01R
24/60; H01R 43/16; H01R 9/00; H01R
9/03; H01R 13/52; H01R 13/6581; H01R
13/6583; H01R 13/6585; H01R 24/00
See application file for complete search history.

(56) **References Cited**

U.S. PATENT DOCUMENTS

D453,922 S * 2/2002 Azuma D13/147
D576,556 S * 9/2008 Lee D13/147
D583,324 S * 12/2008 Iijima D13/147
D690,656 S * 10/2013 Takemoto D13/147

D722,969 S * 2/2015 Takemoto D13/147
D731,436 S * 6/2015 Teranishi D13/154
D733,056 S * 6/2015 Yuan D13/147
D775,084 S * 12/2016 Sato D13/147
D793,959 S * 8/2017 Chen D13/147
D793,960 S * 8/2017 Chen D13/147
D797,054 S * 9/2017 Chen D13/147

(Continued)

Primary Examiner — Angela J Lee

Assistant Examiner — Shawn T Gingrich

(74) *Attorney, Agent, or Firm* — Mark Malek; Widerman Malek, PL

(57) **CLAIM**

The ornamental design for an electrical connector, as shown and described.

DESCRIPTION

FIG. 1 is a front perspective view of an electrical connector according to the present invention.

FIG. 2 is a rear perspective view of the electrical connector illustrated in FIG. 1.

FIG. 3 is a front elevation view of the electrical connector illustrated in FIG. 1.

FIG. 4 is a rear elevation view of the electrical connector illustrated in FIG. 1.

FIG. 5 is a top plan view of the electrical connector illustrated in FIG. 1.

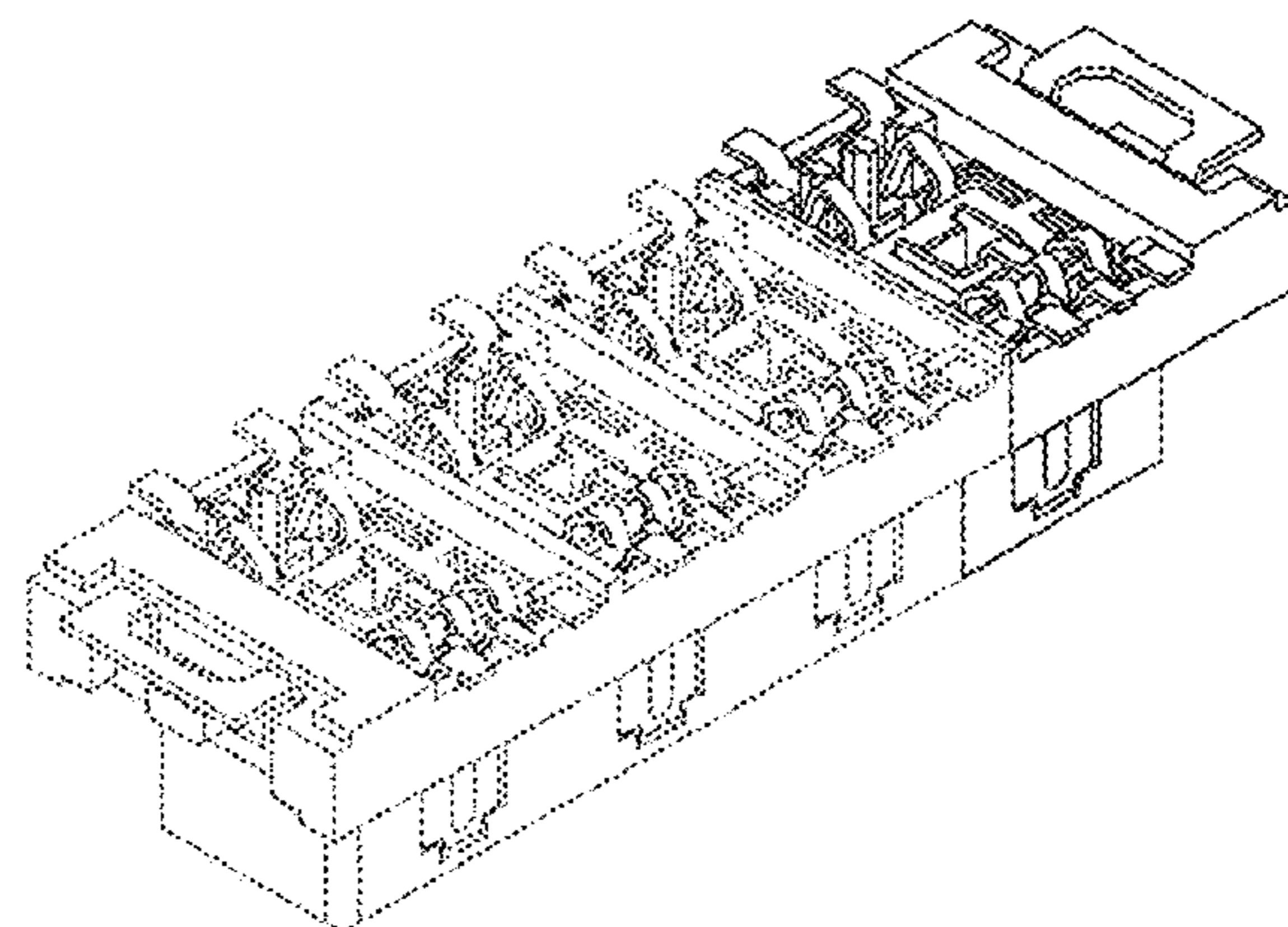
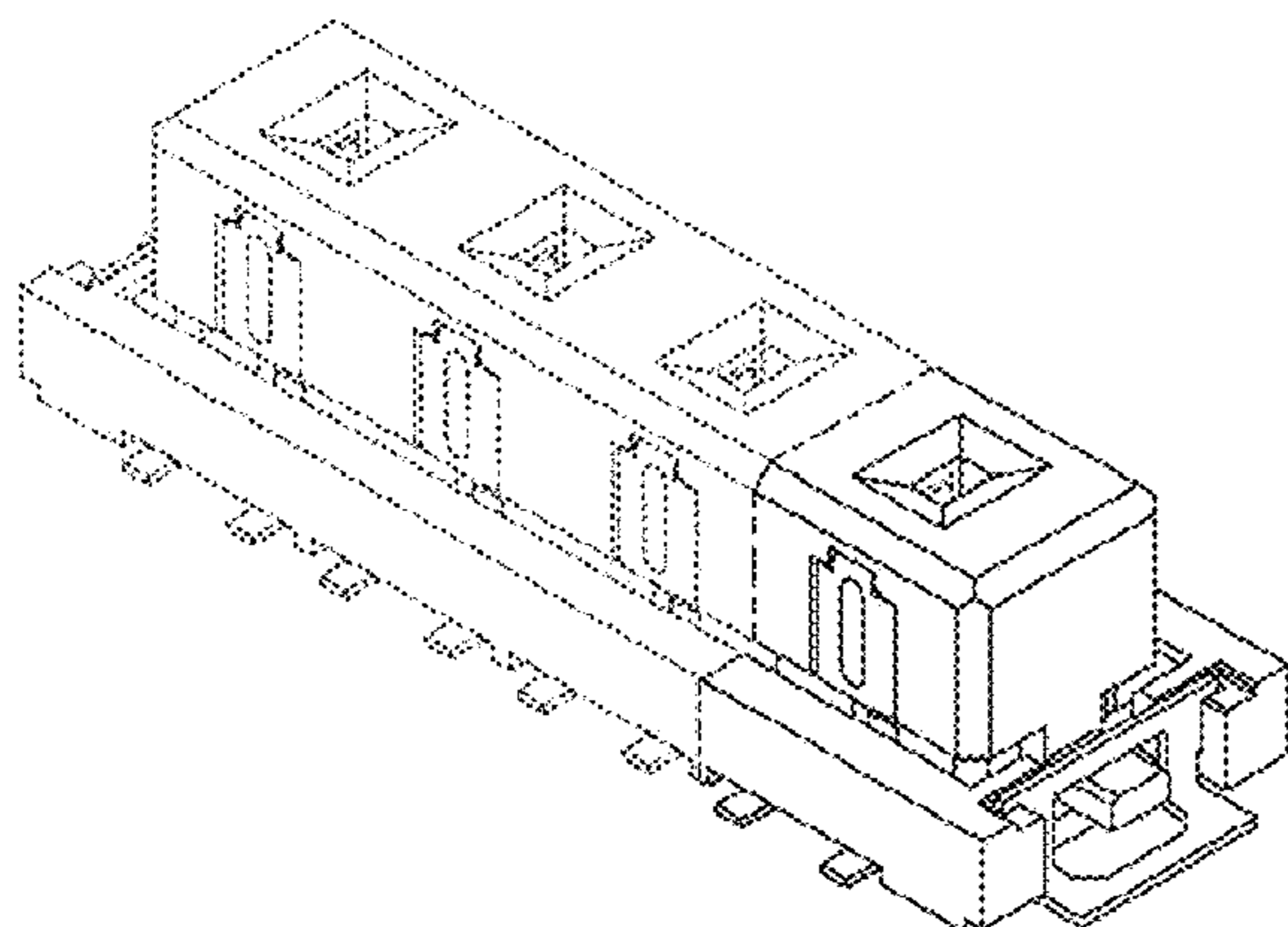
FIG. 6 is a bottom plan view of the electrical connector illustrated in FIG. 1.

FIG. 7 is a right side elevation view of the electrical connector illustrated in FIG. 1; and,

FIG. 8 is a left side elevation view of the electrical connector illustrated in FIG. 1.

The dash-dash broken line portion of the figure drawings is included to show portions of the article that from no part of the claimed design. The dash-dot broken line portion of the figure drawings is included to show boundaries that from no part of the claimed design.

1 Claim, 8 Drawing Sheets



(56)

References Cited

U.S. PATENT DOCUMENTS

2006/0128198 A1* 6/2006 Koga H01R 12/724
439/247
2010/0317236 A1* 12/2010 Huang H01R 4/023
439/660

* cited by examiner

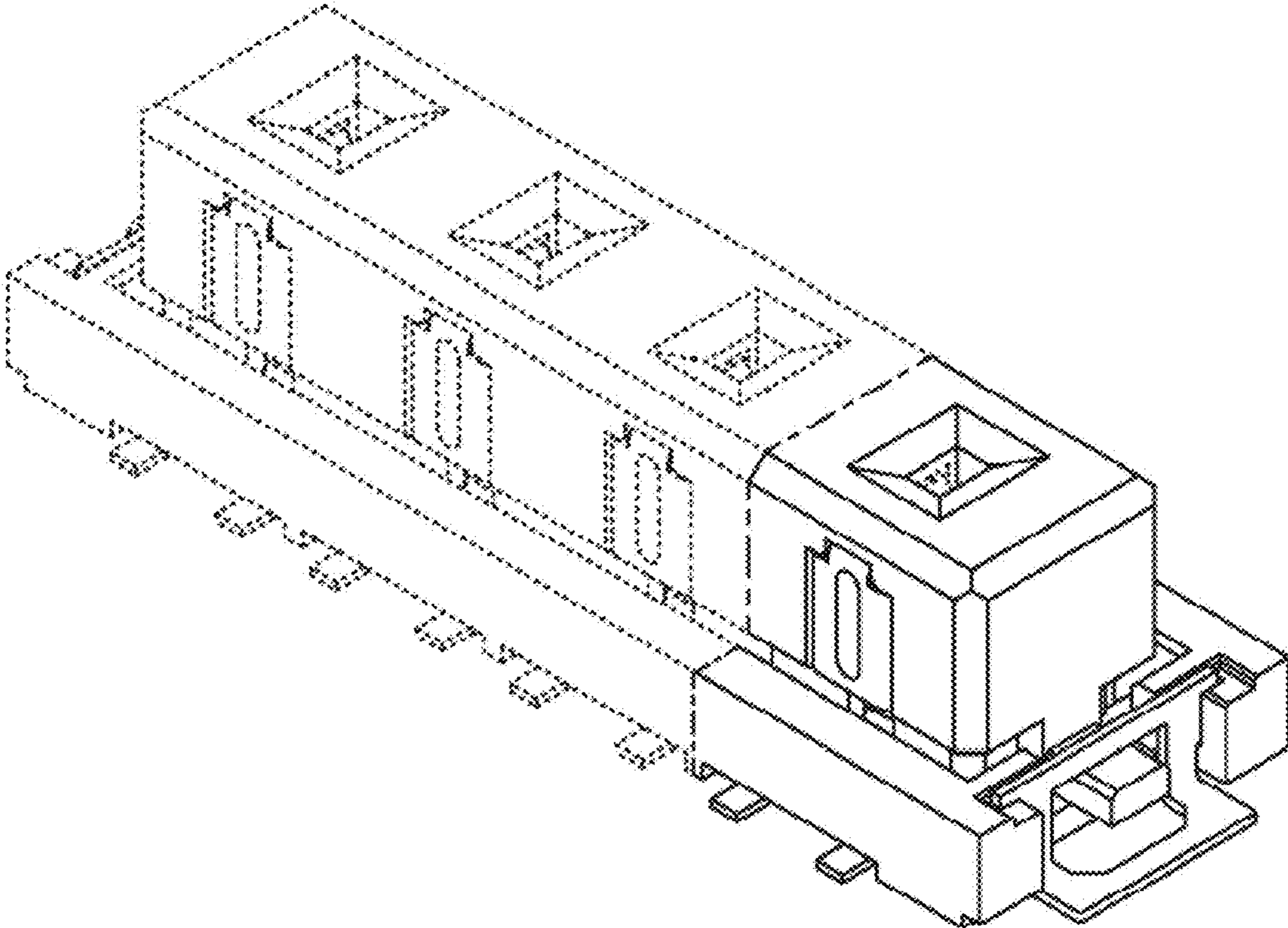


FIG. 1

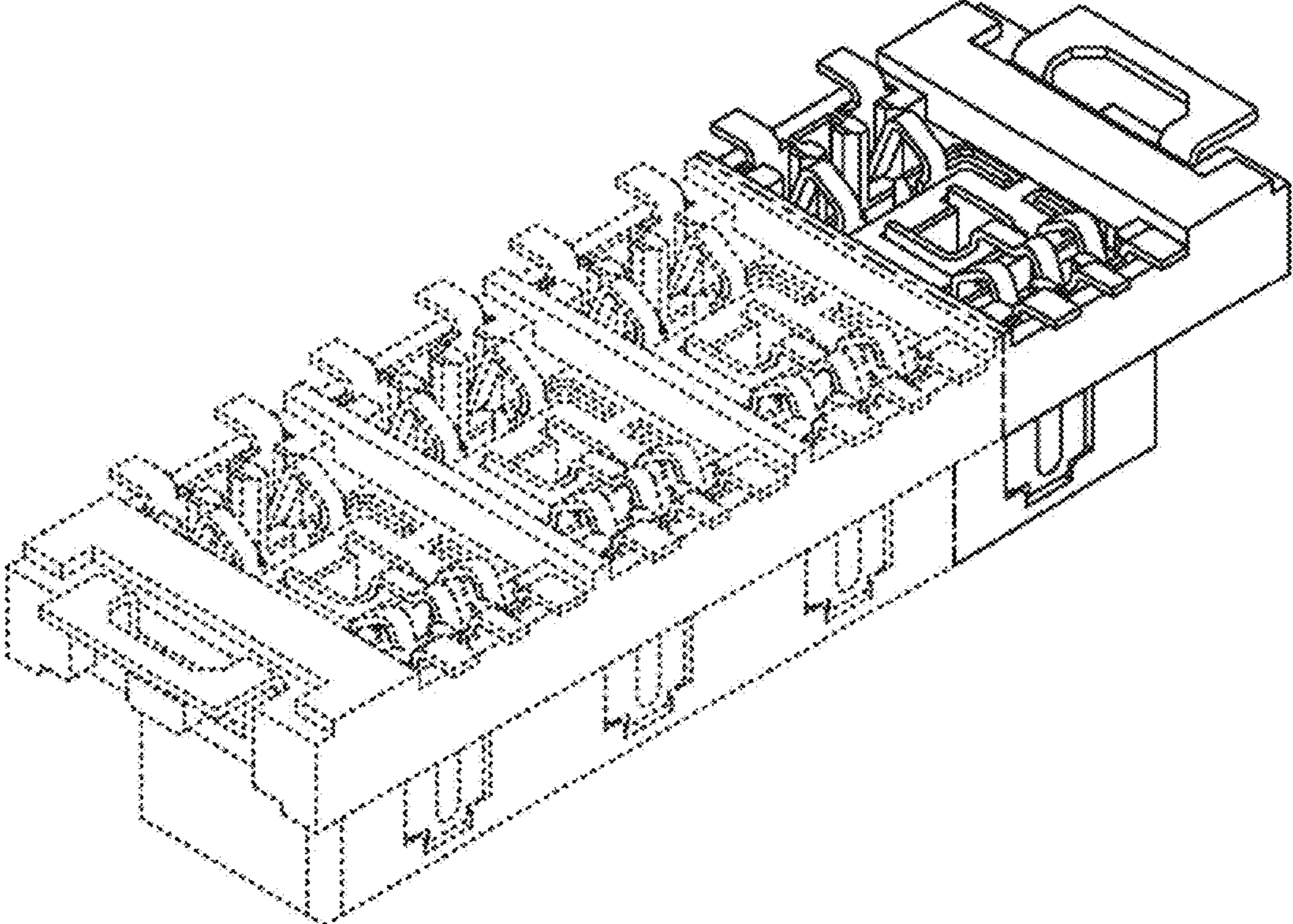


FIG. 2

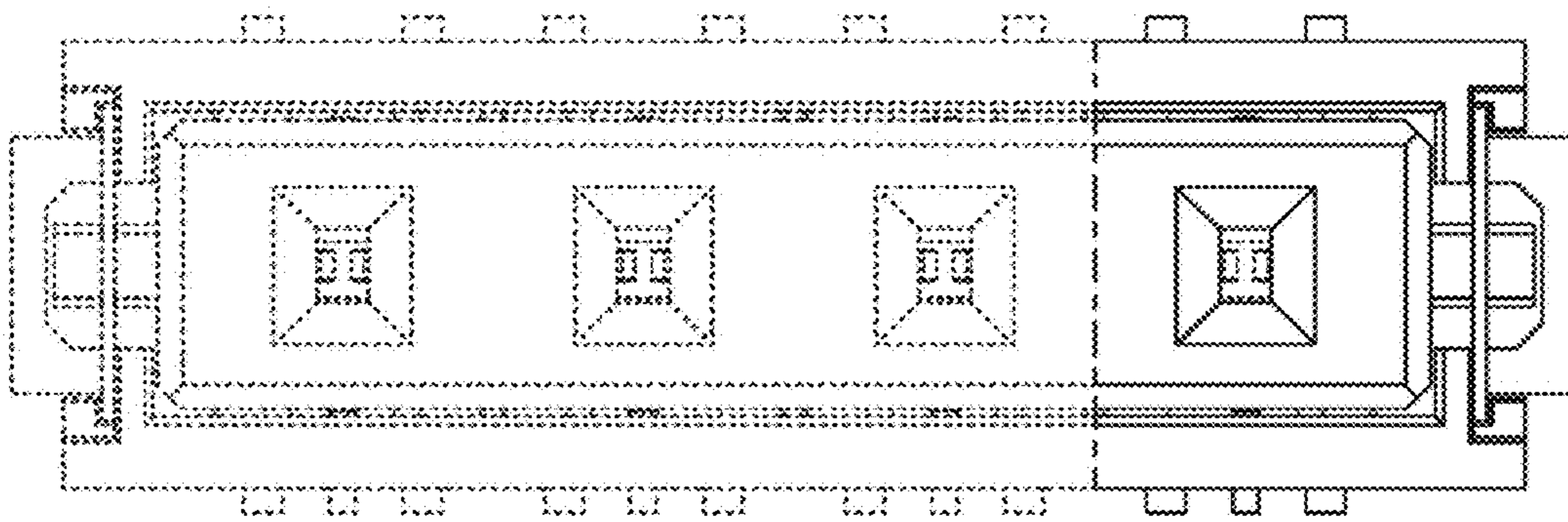


FIG. 3

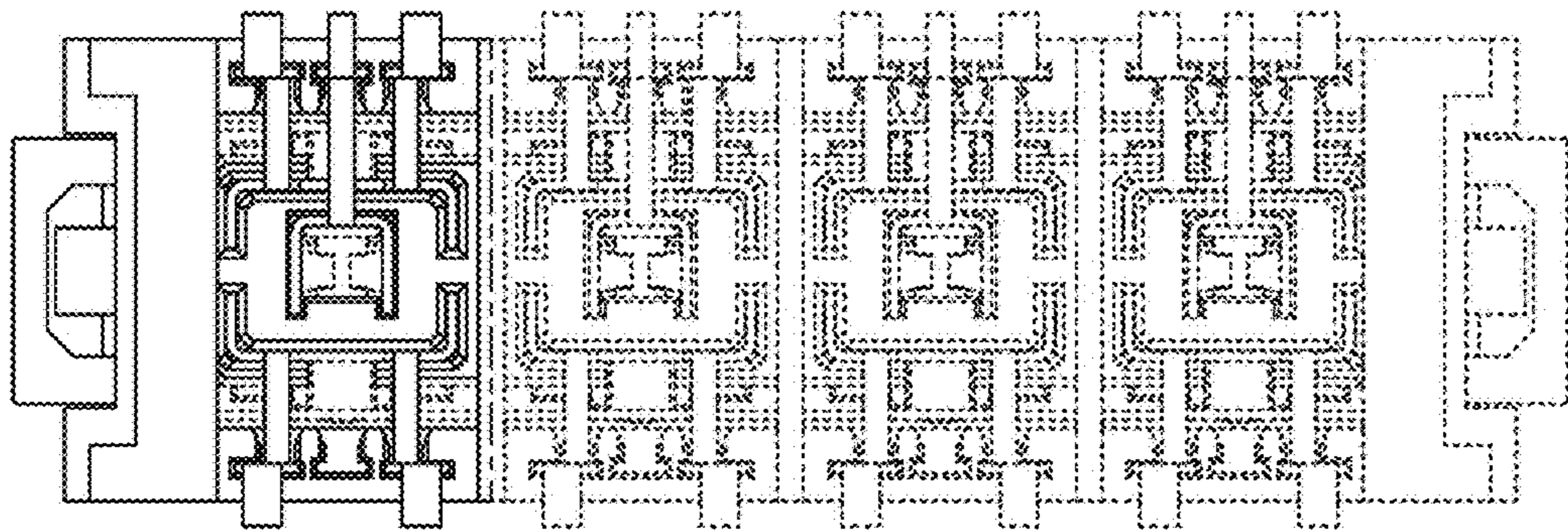


FIG. 4

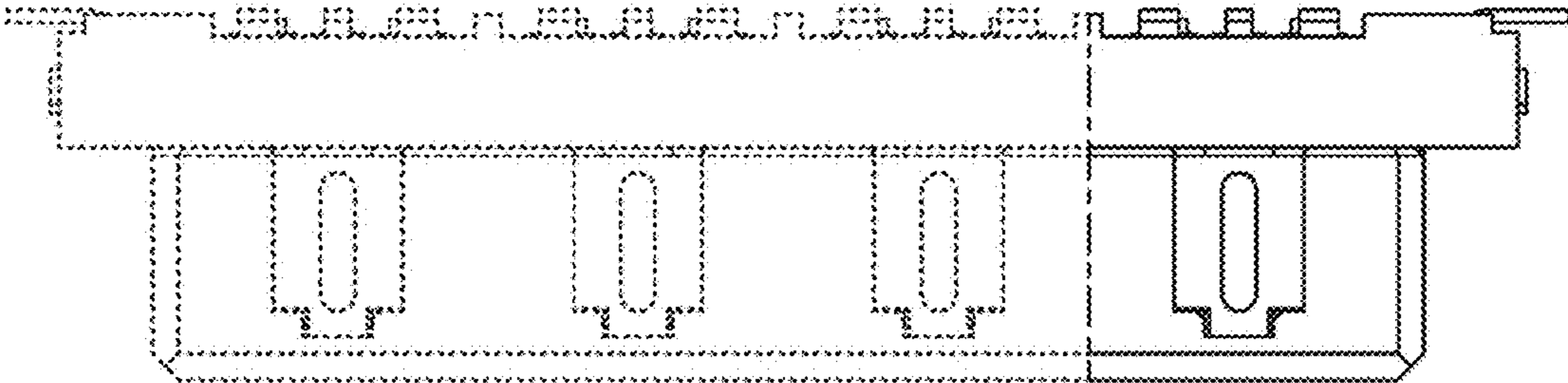


FIG. 5

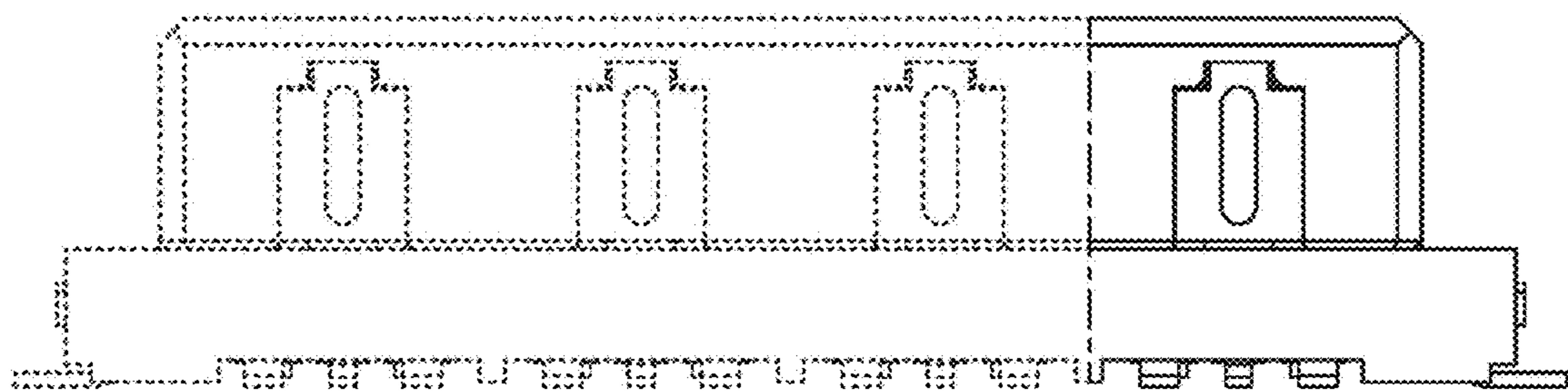


FIG. 6

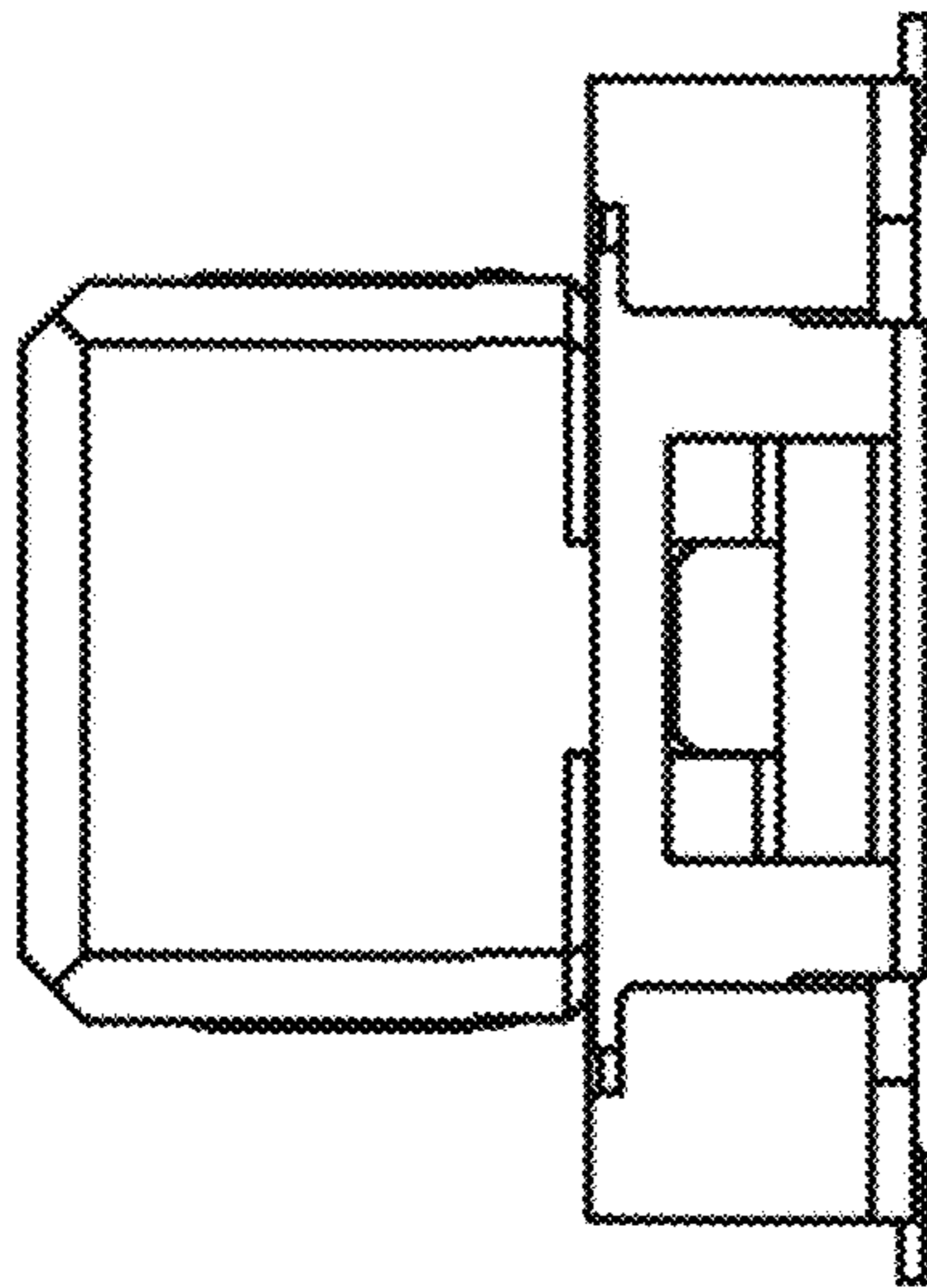


FIG. 7

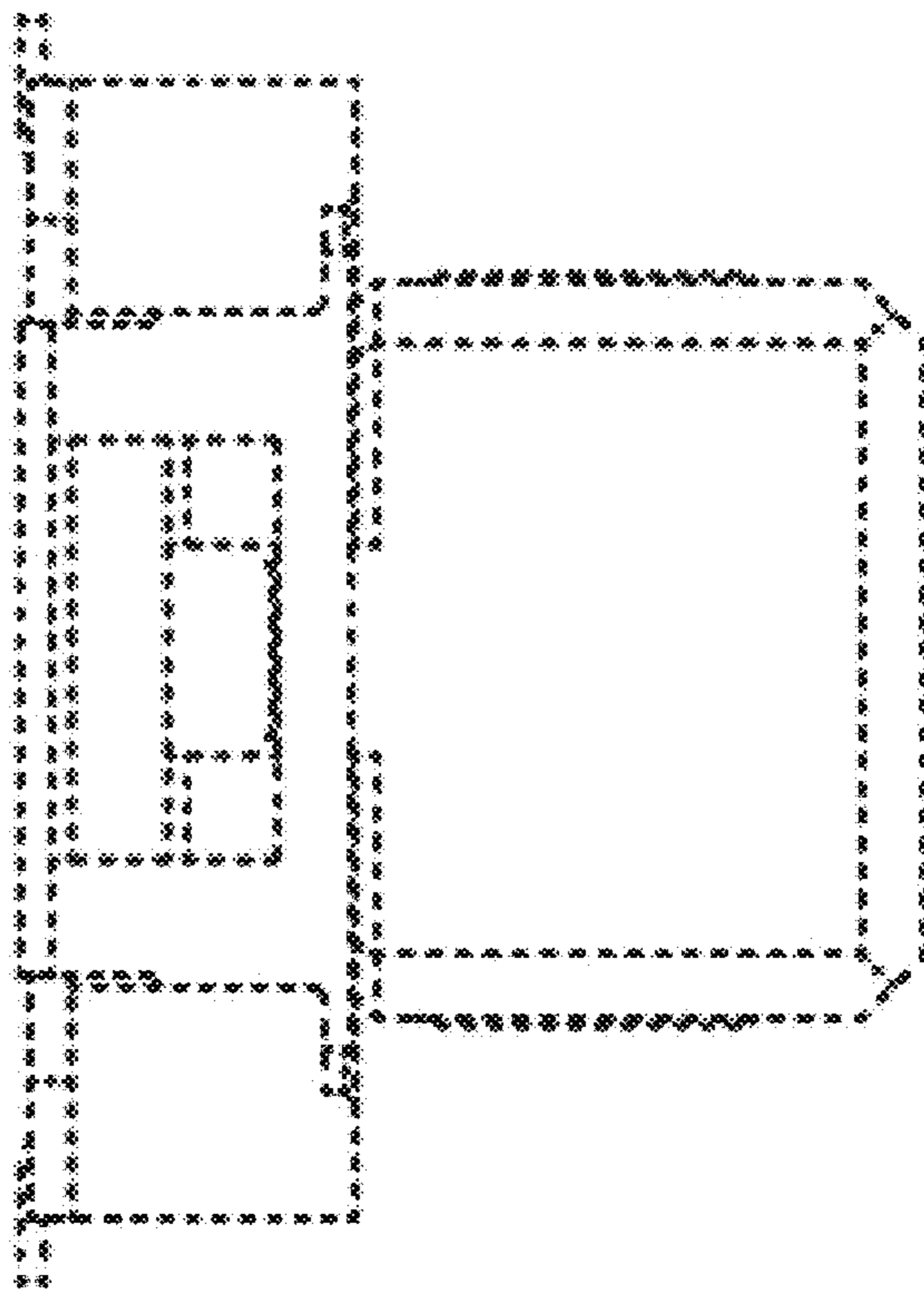


FIG. 8