



US00D839830S

(12) **United States Design Patent** (10) **Patent No.:** **US D839,830 S**
Weeks (45) **Date of Patent:** **** Feb. 5, 2019**

- (54) **PROTECTIVE ELECTRICAL WIRING DEVICE**
- (71) Applicant: **Pass & Seymour, Inc.**, Syracuse, NY (US)
- (72) Inventor: **Richard Weeks**, Little York, NY (US)
- (73) Assignee: **Pass & Seymour, Inc.**, Syracuse, NY (US)
- (**) Term: **15 Years**
- (21) Appl. No.: **29/637,728**
- (22) Filed: **Feb. 21, 2018**

- 7,209,330 B2 * 4/2007 DiSalvo H01H 71/62
361/42
- D542,223 S * 5/2007 Bazayev D13/139.3
- D545,272 S * 6/2007 Zhang D13/139.3
- D598,859 S * 8/2009 Vaccaro D13/139.3
- D601,962 S * 10/2009 Song D13/139.6
- 7,713,084 B1 * 5/2010 Weeks H01R 13/6658
174/58
- D686,577 S * 7/2013 Flagello D13/152
- D692,385 S * 10/2013 Dodal D13/139.1
- D703,139 S * 4/2014 Dodal D13/139.1
- D719,512 S * 12/2014 Roy D13/139.6
- D722,562 S * 2/2015 Restrepo D13/139.1
- D731,432 S * 6/2015 Murphy D13/139.1
- D732,719 S * 6/2015 Mozdzer D13/139.1
- D744,423 S * 12/2015 Junko D13/139.1
- D744,950 S * 12/2015 Murphy D13/139.1
- D744,952 S * 12/2015 Ni D13/139.3
- D778,239 S * 2/2017 Ni D13/108
- D800,662 S * 10/2017 Wu D13/137.1
- D813,818 S * 3/2018 Ni D13/137.2
- 9,999,112 B2 * 6/2018 Weeks H05B 37/0218
- D825,469 S * 8/2018 Pan D13/139.1

Related U.S. Application Data

- (62) Division of application No. 29/534,541, filed on Jul. 29, 2015.
- (51) **LOC (11) Cl.** **13-03**
- (52) **U.S. Cl.**
USPC **D13/139.6**
- (58) **Field of Classification Search**
USPC ... D13/139.1-139.8, 137.1-137.4, 108, 152;
361/42; 335/6; 439/93; 315/308;
174/58
CPC H01H 71/62; H01H 73/14; H05B 33/0818;
H05B 37/0218; G02B 6/0096; H05K
5/02; H02H 3/06; H01R 13/665; H01R
13/6658
See application file for complete search history.

References Cited

- (56) **U.S. PATENT DOCUMENTS**
- D419,531 S * 1/2000 Keung D13/139.3
- 7,031,125 B2 * 4/2006 Germain H01H 73/14
361/42
- D535,254 S * 1/2007 Bazayev D13/139.3

(Continued)

Primary Examiner — Rhea Shields

(74) *Attorney, Agent, or Firm* — Bond Schoeneck & King, PLLC; George R. McGuire; Frederick Price

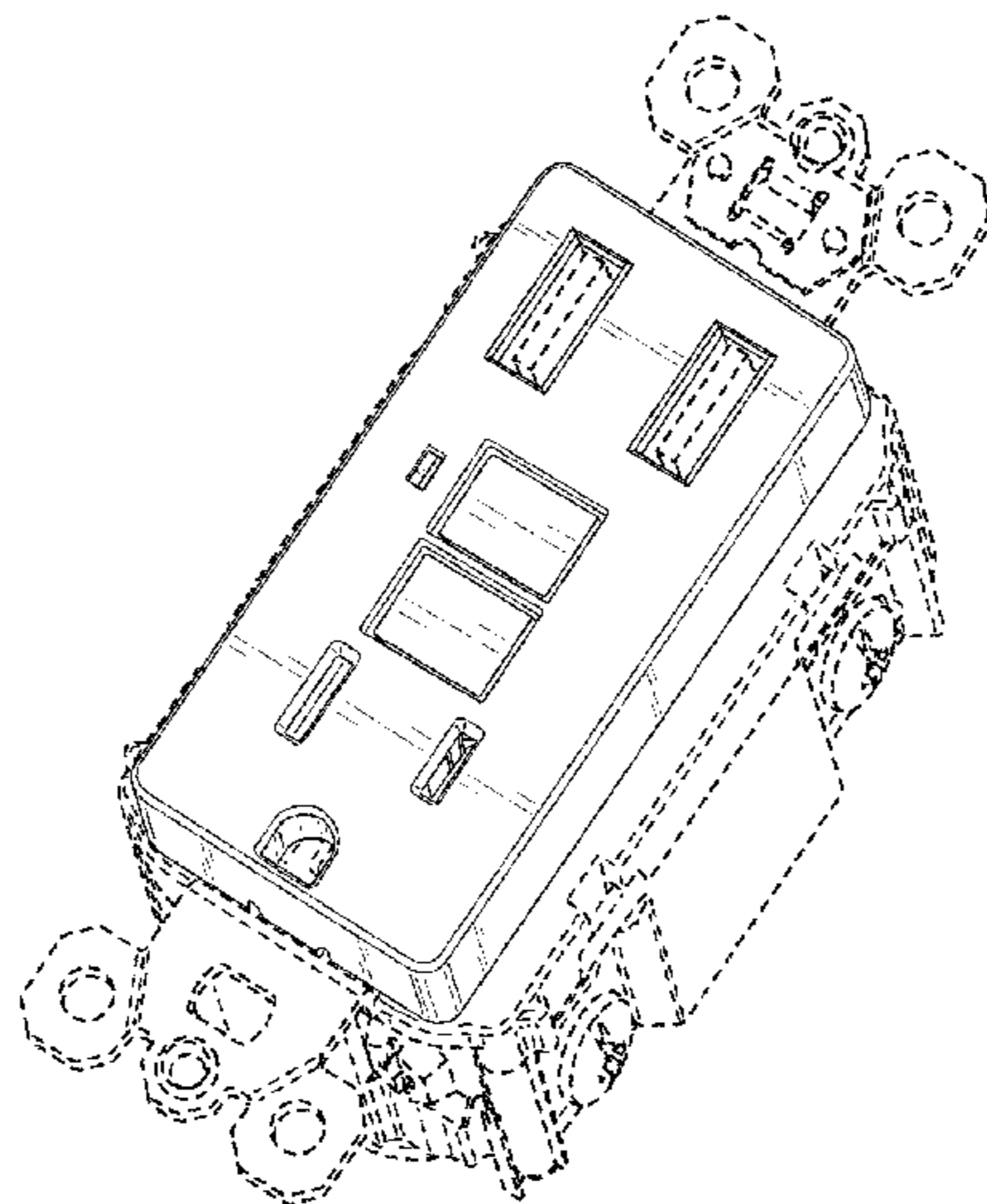
(57) **CLAIM**

The ornamental design for a protective electrical wiring device, as shown and described.

DESCRIPTION

FIG. 1 is a top perspective view of the protective electrical wiring device, showing my new design;
 FIG. 2 is a top plan view thereof;
 FIG. 3 is a side view thereof; and,
 FIG. 4 is an end view.
 In the drawings, the broken lines are for the purpose of illustrating environment only and form no part of the claimed design.

1 Claim, 2 Drawing Sheets



(56)

References Cited

U.S. PATENT DOCUMENTS

2009/0033247 A1* 2/2009 Ganta Papa Rao Bla
H01R 13/665
315/308
2009/0186500 A1* 7/2009 Benoit H01R 13/4534
439/93
2013/0278361 A1* 10/2013 Weeks H05K 5/02
335/6
2015/0333498 A1* 11/2015 Weeks H02H 3/06
361/42
2017/0359882 A1* 12/2017 Weeks H05B 33/0818

* cited by examiner

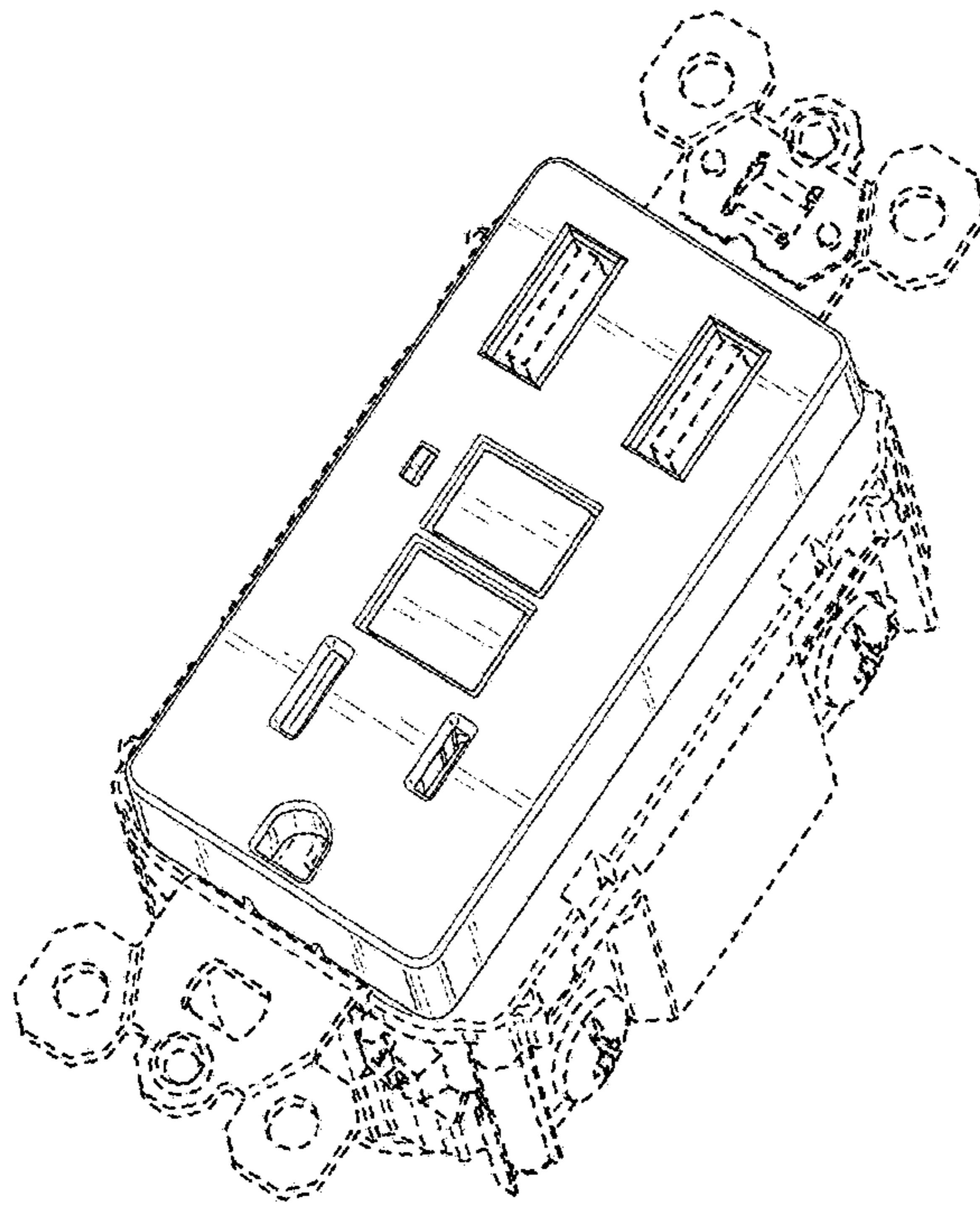


FIG. 1

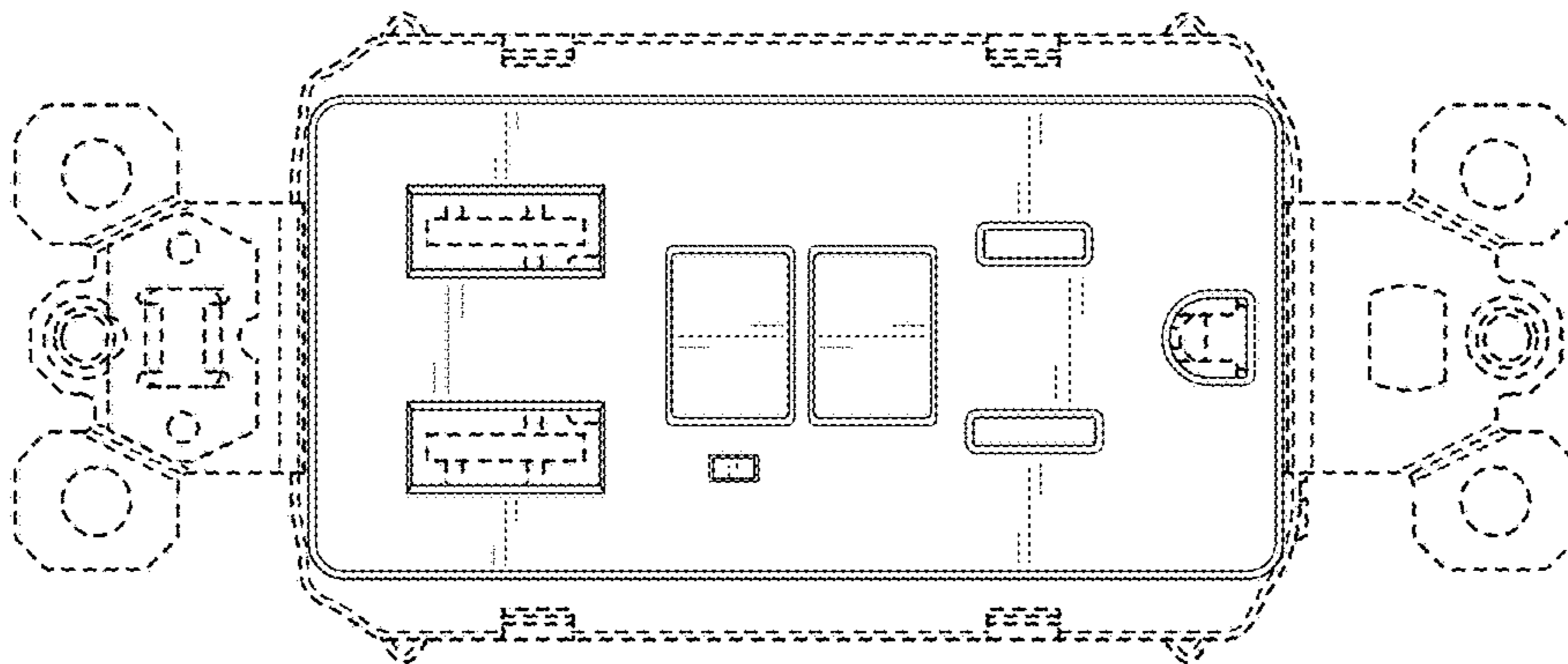


FIG. 2

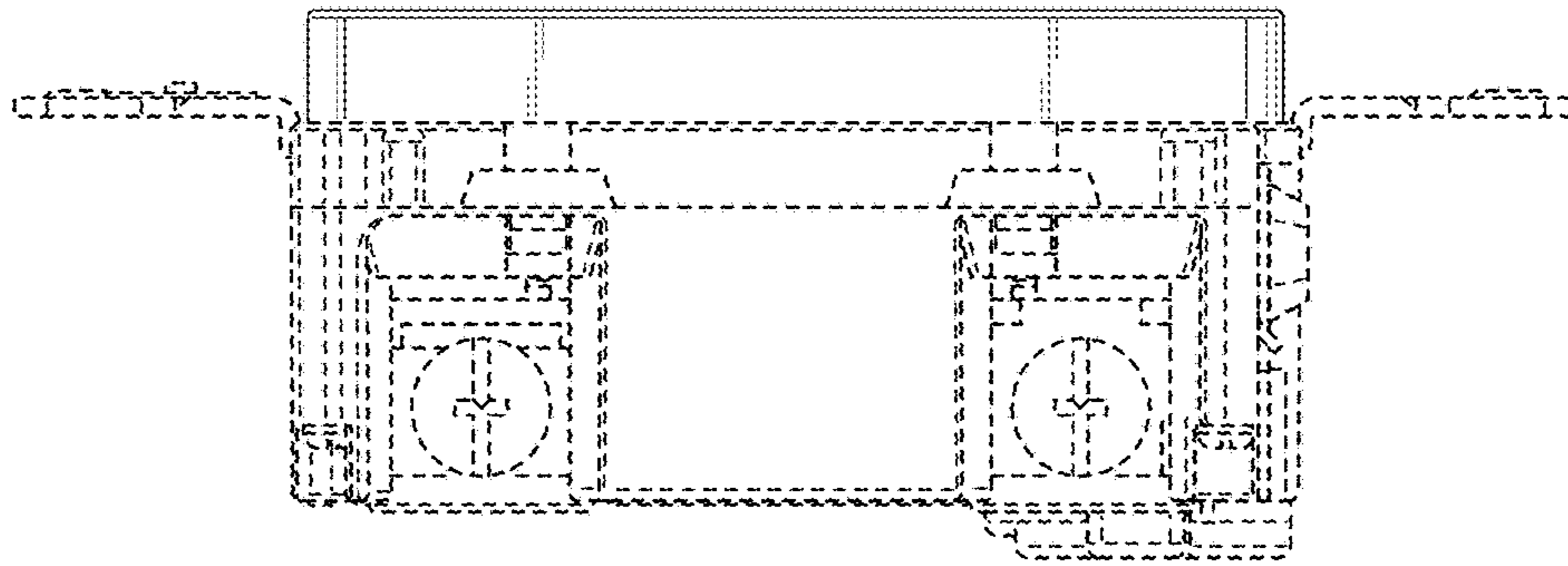


FIG. 3

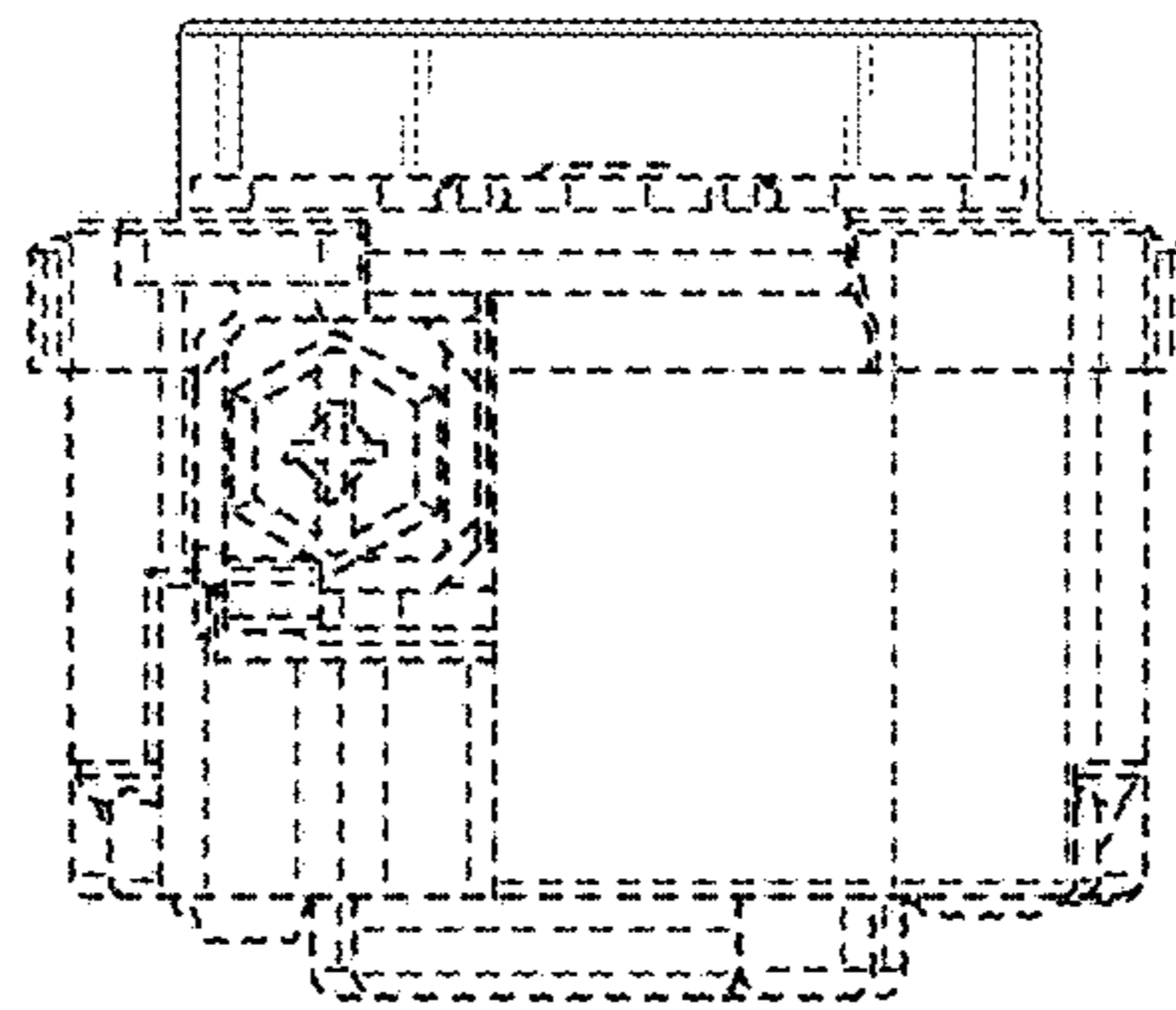


FIG. 4