



US00D839829S

(12) **United States Design Patent** (10) **Patent No.:** **US D839,829 S**
Weeks (45) **Date of Patent:** **** Feb. 5, 2019**

(54) **PROTECTIVE ELECTRICAL WIRING DEVICE**
(71) Applicant: **Pass & Seymour, Inc.**, Syracuse, NY (US)
(72) Inventor: **Richard Weeks**, Little York, NY (US)
(73) Assignee: **Pass & Seymour, Inc.**, Syracuse, NY (US)
(**) Term: **15 Years**

(21) Appl. No.: **29/637,716**
(22) Filed: **Feb. 21, 2018**

Related U.S. Application Data

(62) Division of application No. 29/534,541, filed on Jul. 29, 2015.
(51) **LOC (11) Cl.** **13-03**
(52) **U.S. Cl.**
USPC **D13/139.6**
(58) **Field of Classification Search**
USPC ... D13/139.1-139.8, 137.1-137.4, 108, 152;
361/42; 335/6; 439/93; 315/308;
174/58
CPC H01H 71/62; H01H 73/14; H05B 33/0818;
H05B 37/0218; G02B 6/0096; H05K
5/02; H02H 3/06; H01R 13/665; H01R
13/6658
See application file for complete search history.

(56) **References Cited**

U.S. PATENT DOCUMENTS

D419,531 S * 1/2000 Keung D13/139.3
7,031,125 B2 * 4/2006 Germain H01H 73/14
361/42
D535,254 S * 1/2007 Bazayev D13/139.3
7,209,330 B2 * 4/2007 DiSalvo H01H 71/62
361/42

D542,223 S * 5/2007 Bazayev D13/139.3
D545,272 S * 6/2007 Zhang D13/139.3
D598,859 S * 8/2009 Vaccaro D13/139.3
D601,962 S * 10/2009 Song D13/139.6
7,713,084 B1 * 5/2010 Weeks H01R 13/6658
174/58
D686,577 S * 7/2013 Flagello D13/152
D692,385 S * 10/2013 Dodal D13/139.1

(Continued)

Primary Examiner — Rhea Shields

(74) *Attorney, Agent, or Firm* — Bond Schoeneck & King, PLLC; George R. McGuire; Frederick Price

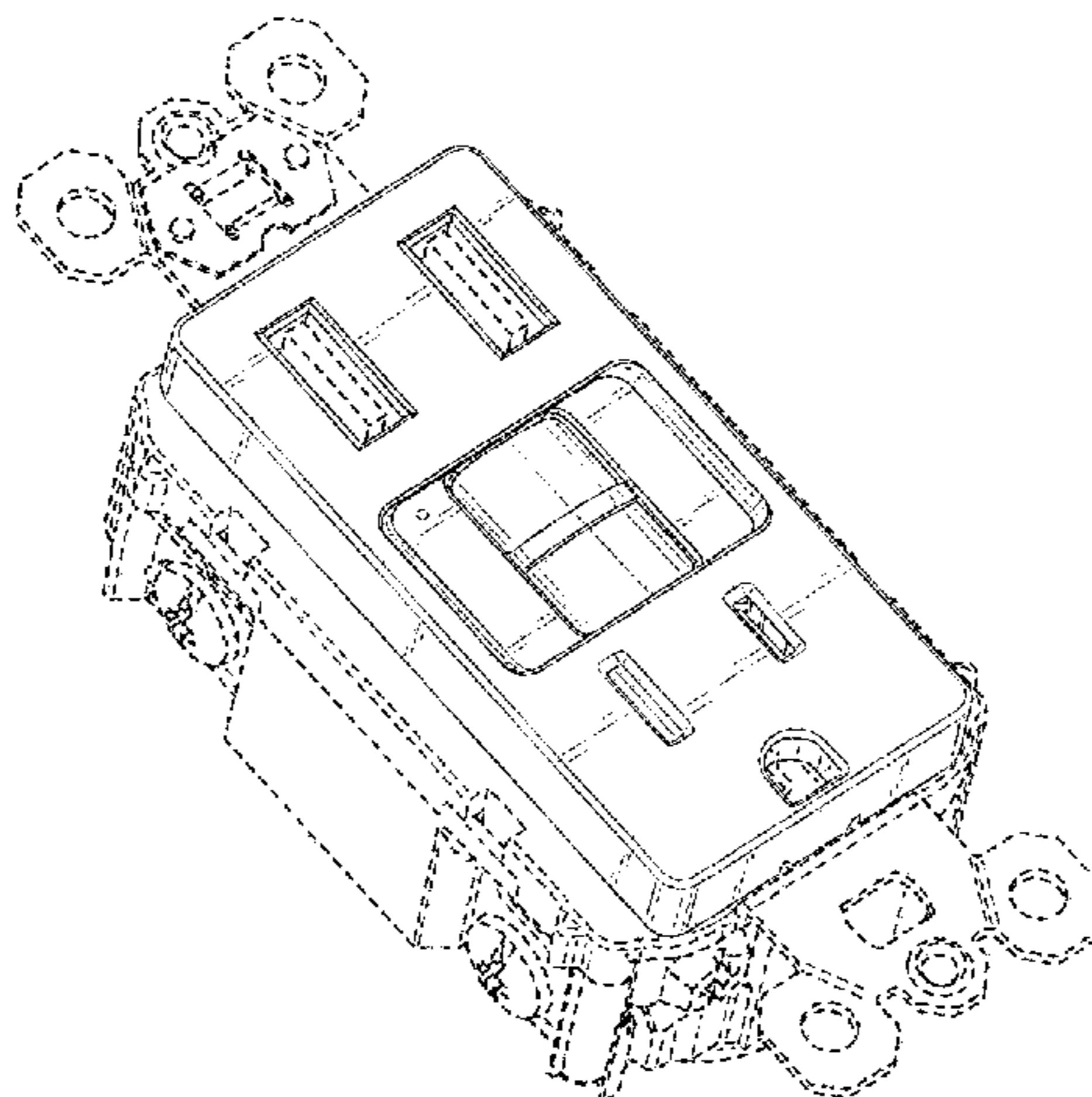
(57) **CLAIM**

The ornamental design for a protective electrical wiring device design, as shown and described.

DESCRIPTION

FIG. 1 is a top perspective view of a first embodiment of the protective electrical wiring device, showing my new design; FIG. 2 is a top plan view thereof; FIG. 3 is a side view thereof; and FIG. 4 is an end view.
FIG. 5 is a top perspective view of a second embodiment of the protective electrical wiring device, showing my new design; and FIG. 6 is a top plan view thereof.
FIG. 7 is a top perspective view of a third embodiment of the protective electrical wiring device, showing my new design; and FIG. 8 is a top plan view thereof.
FIG. 9 is a top perspective view of a fourth embodiment of the protective electrical wiring device, showing my new design; and, FIG. 10 is a top plan view thereof.
In the drawings, the broken lines are for the purpose of illustrating environment only and form no part of the claimed design.

1 Claim, 5 Drawing Sheets



(56)

References Cited

U.S. PATENT DOCUMENTS

D703,139	S *	4/2014	Dodal	D13/139.1
D719,512	S *	12/2014	Roy	D13/139.6
D722,562	S *	2/2015	Restrepo	D13/139.1
D731,432	S *	6/2015	Murphy	D13/139.1
D732,719	S *	6/2015	Mozdzer	D13/139.1
D744,423	S *	12/2015	Junko	D13/139.1
D744,950	S *	12/2015	Murphy	D13/139.1
D744,952	S *	12/2015	Ni	D13/139.3
D778,239	S *	2/2017	Ni	D13/108
D800,662	S *	10/2017	Wu	D13/137.1
D813,818	S *	3/2018	Ni	D13/137.2
9,999,112	B2 *	6/2018	Weeks	H05B 37/0218
D825,469	S *	8/2018	Pan	D13/139.1
2009/0033247	A1 *	2/2009	Ganta Papa Rao Bla	H01R 13/665
				315/308
2009/0186500	A1 *	7/2009	Benoit	H01R 13/4534
				439/93
2013/0278361	A1 *	10/2013	Weeks	H05K 5/02
				335/6
2015/0333498	A1 *	11/2015	Weeks	H02H 3/06
				361/42
2017/0359882	A1 *	12/2017	Weeks	H05B 33/0818

* cited by examiner

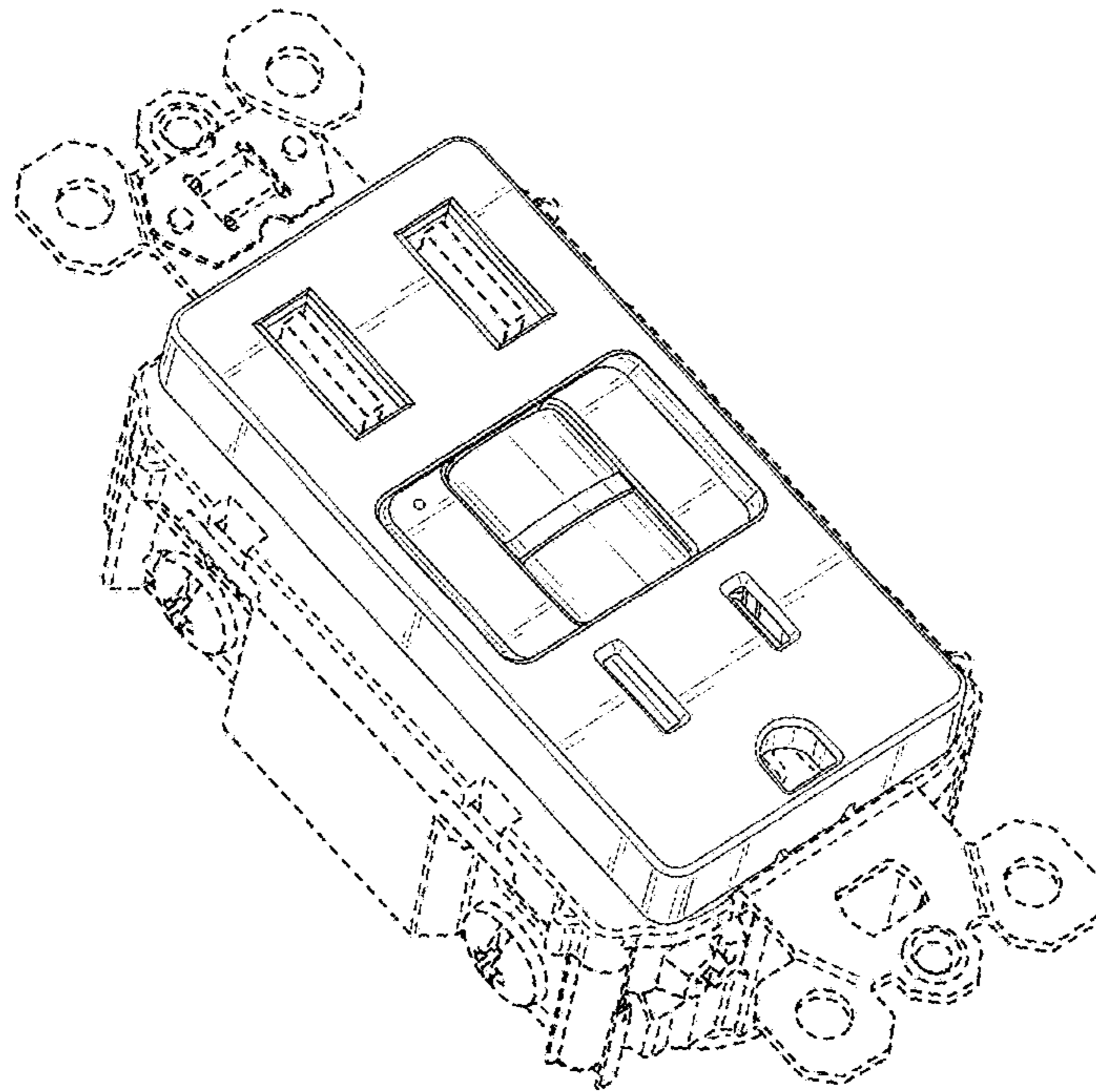


FIG. 1

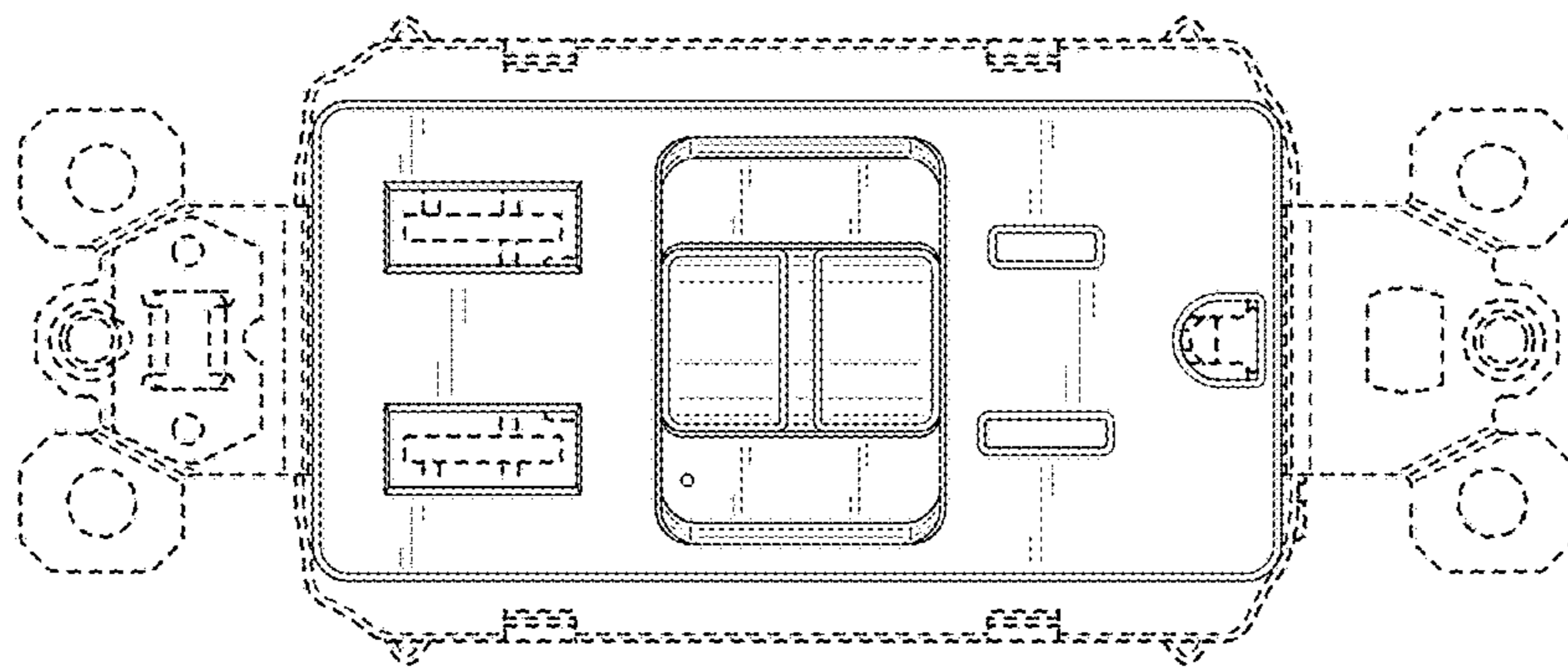


FIG. 2

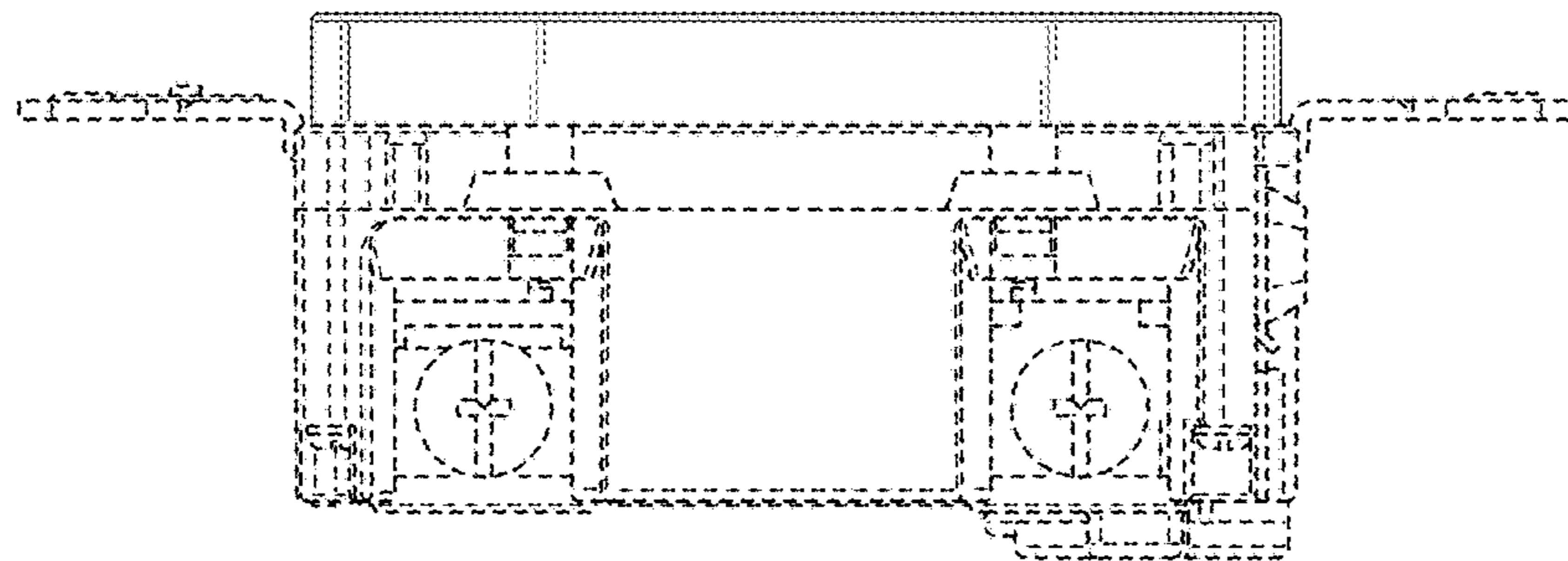


FIG. 3

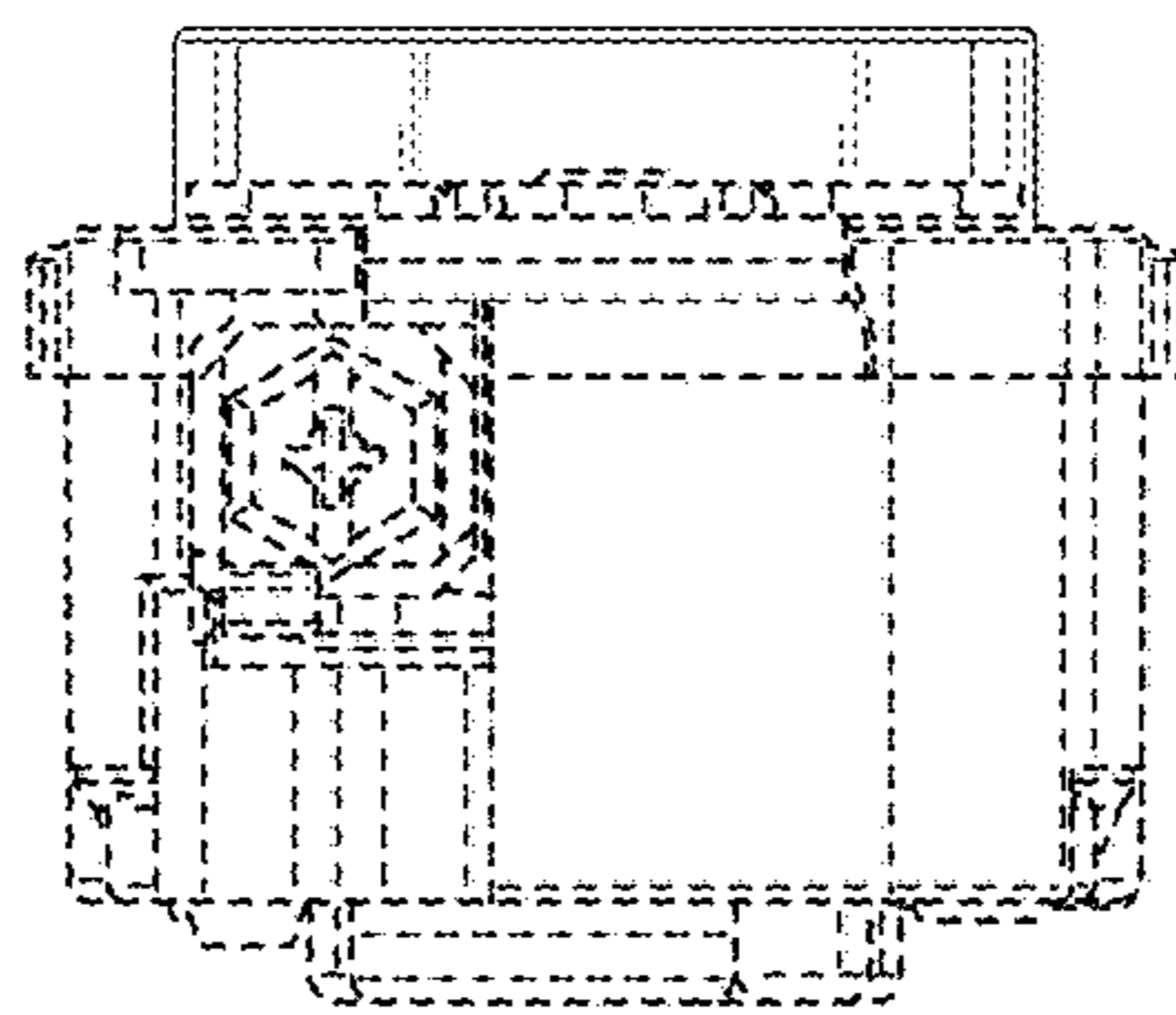


FIG. 4

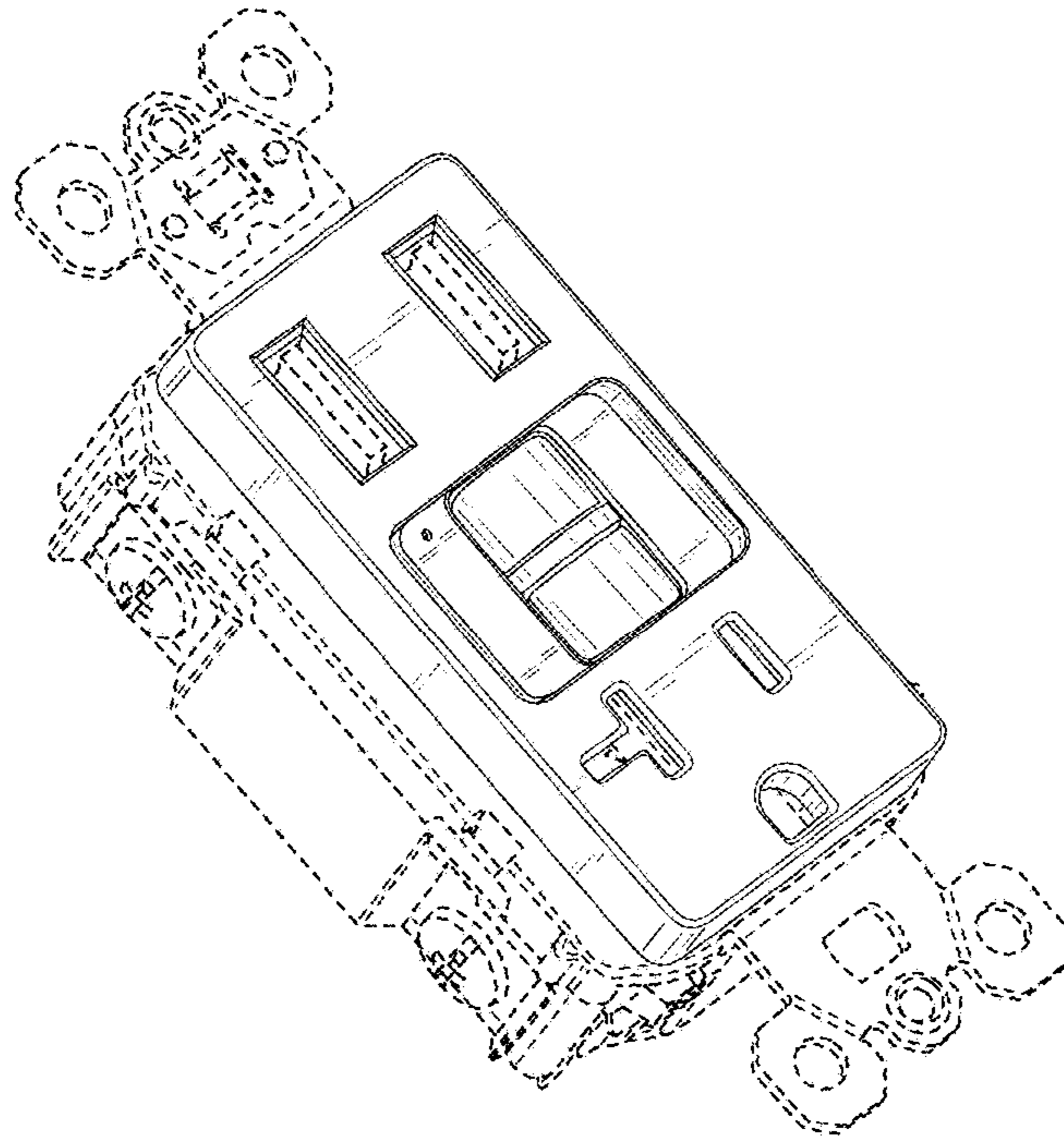


FIG. 5

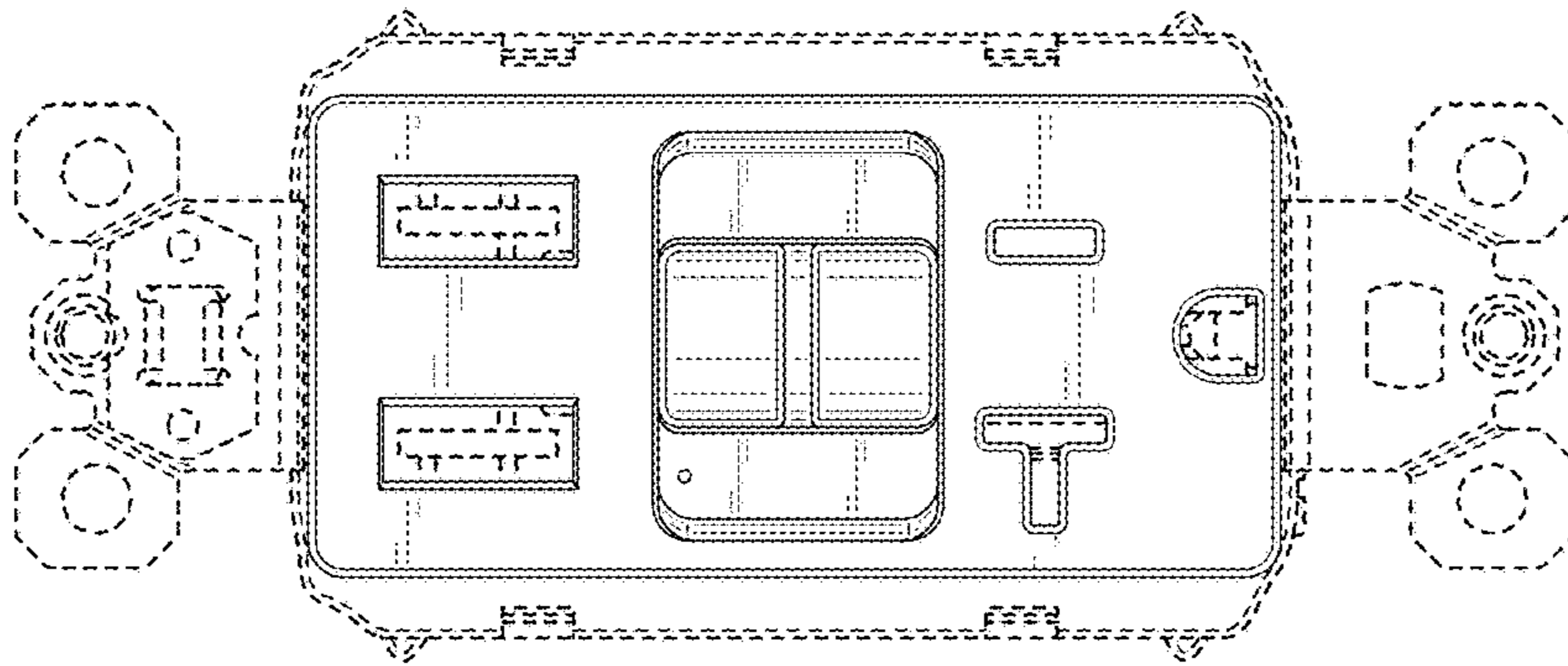


FIG. 6

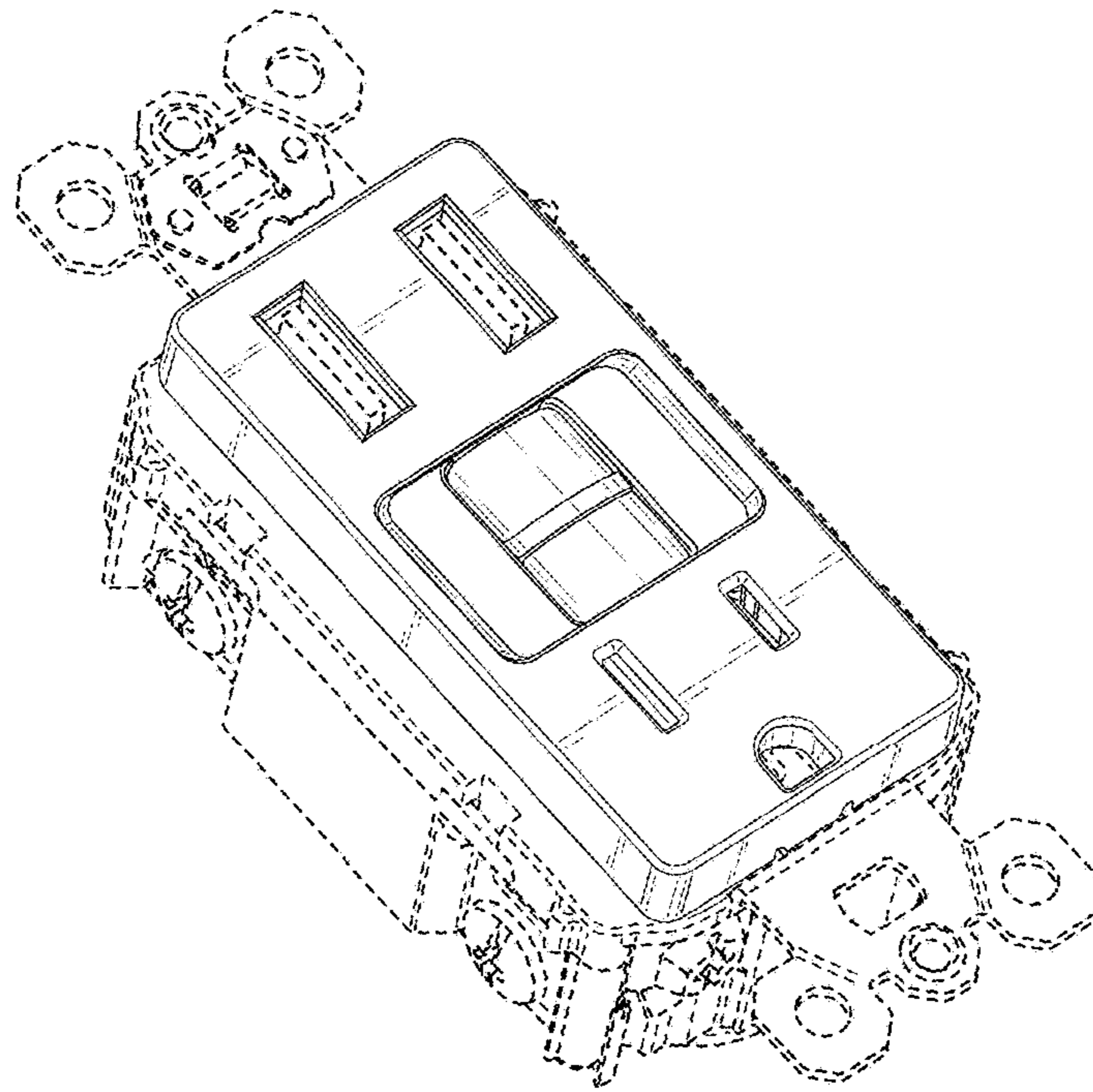


FIG. 7

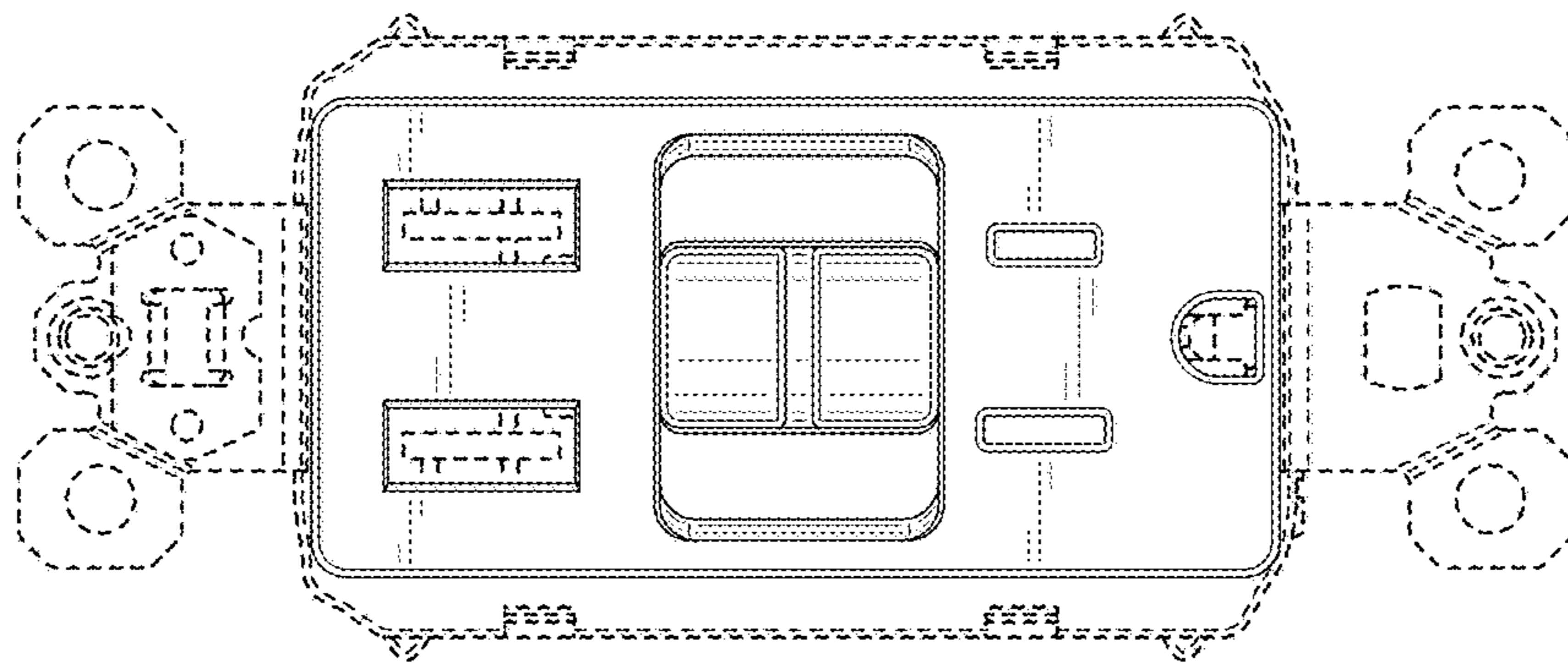


FIG. 8

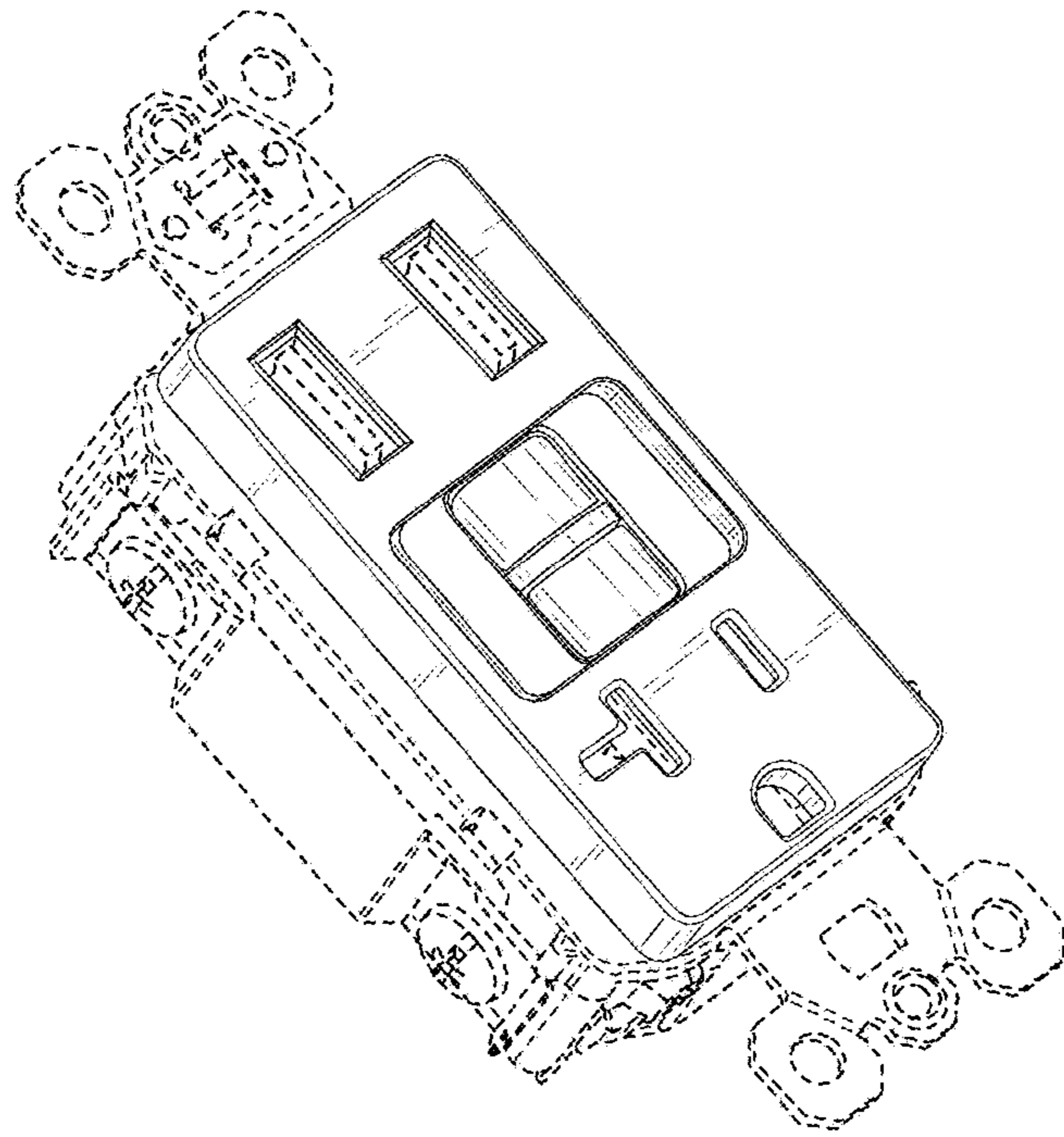


FIG. 9

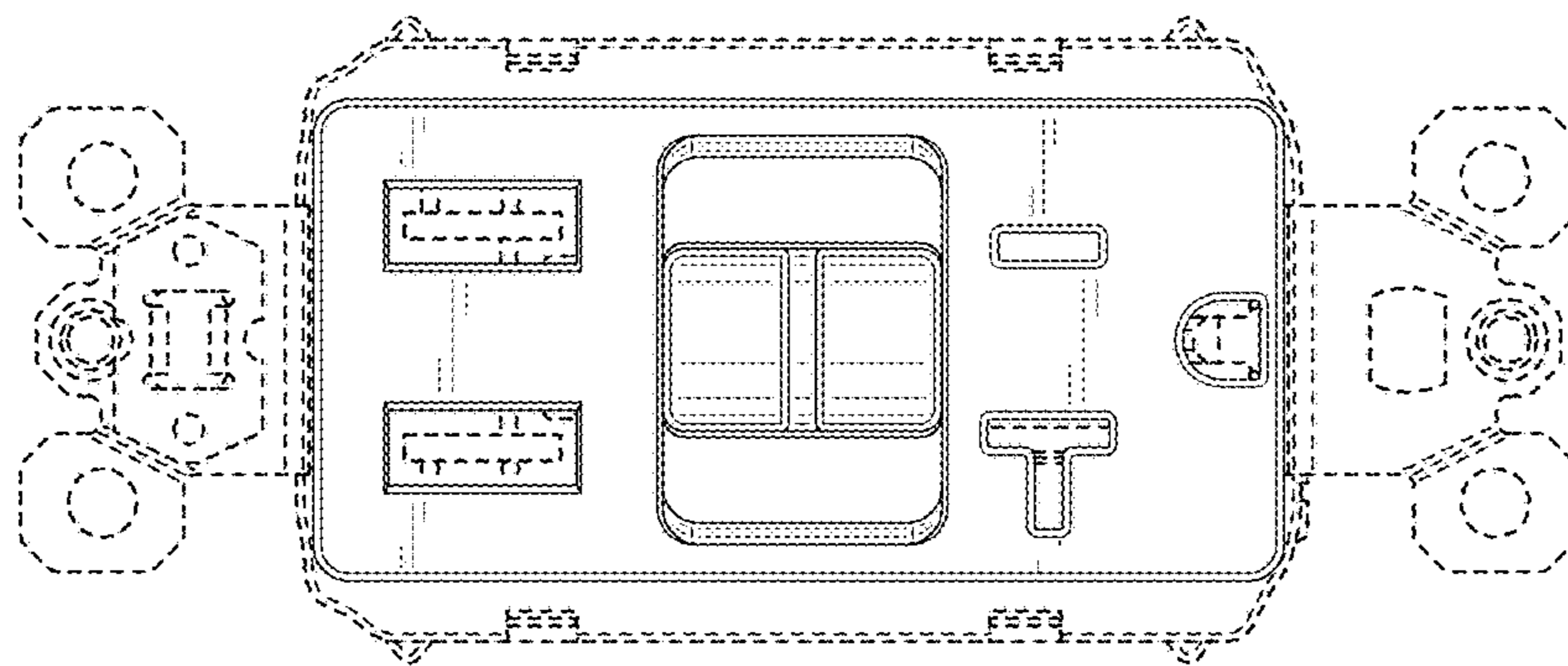


FIG. 10