

US00D839828S

(12) **United States Design Patent** (10) **Patent No.:** **US D839,828 S**  
**Byrne et al.** (45) **Date of Patent:** **\*\* Feb. 5, 2019**

(54) **ELECTRICAL POWER UNIT**

(71) Applicants: **Norman R. Byrne**, Ada, MI (US);  
**Daniel P. Byrne**, Lowell, MI (US);  
**Joseph D. Ward**, Grand Rapids, MI (US)

(72) Inventors: **Norman R. Byrne**, Ada, MI (US);  
**Daniel P. Byrne**, Lowell, MI (US);  
**Joseph D. Ward**, Grand Rapids, MI (US)

(\*\*) Term: **15 Years**

(21) Appl. No.: **29/607,208**

(22) Filed: **Jun. 12, 2017**

(51) **LOC (11) Cl.** ..... **13-03**

(52) **U.S. Cl.**  
USPC ..... **D13/139.4**

(58) **Field of Classification Search**  
USPC ..... D13/138.2, 138.4, 133, 146, 147, 148,  
D13/151, 154, 158, 173, 184, 199  
CPC .. H01R 13/6675; H01R 13/44; H01R 31/065;  
H01R 13/4534  
See application file for complete search history.

(56) **References Cited**

**U.S. PATENT DOCUMENTS**

D78,966 S *	7/1929	Conner	.....	D13/139.7
D325,723 S *	4/1992	Gary	.....	D13/139.4
D389,459 S *	1/1998	Byrne	.....	D13/139.5
D484,460 S *	12/2003	Cheng	.....	D13/137.4
D553,306 S *	10/2007	Hansen	.....	D13/139.4
D614,574 S *	4/2010	Thommes	.....	D13/139.1
D700,606 S *	3/2014	Lo		
D701,836 S *	4/2014	Byrne	.....	H01R 13/52 D13/139.1
D714,726 S *	10/2014	Byrne	.....	D13/137.1
D717,732 S *	11/2014	Byrne	.....	D13/137.1
D719,508 S *	12/2014	Byrne	.....	D13/110
D736,159 S *	8/2015	Byrne	.....	D13/139.4

D736,709 S *	8/2015	Byrne	.....	D13/137.1
D741,266 S *	10/2015	Byrne	.....	D13/138.2
D744,953 S *	12/2015	Byrne	.....	D13/139.4
D759,596 S *	6/2016	Byrne	.....	D13/137.2
D761,732 S *	7/2016	Byrne	.....	D13/137.2
D762,175 S *	7/2016	Byrne	.....	D13/137.2
D762,176 S *	7/2016	Byrne	.....	D13/139.1
D807,539 S	1/2018	Li		

(Continued)

**OTHER PUBLICATIONS**

Co-pending and commonly-owned design U.S. Appl. No. 29/573,264, filed Aug. 4, 2016.

(Continued)

*Primary Examiner* — Rosemary K Tarcza

*Assistant Examiner* — Christy M Nemeth

(74) *Attorney, Agent, or Firm* — Gardner, Linn, Burkhart & Ondersma LLP

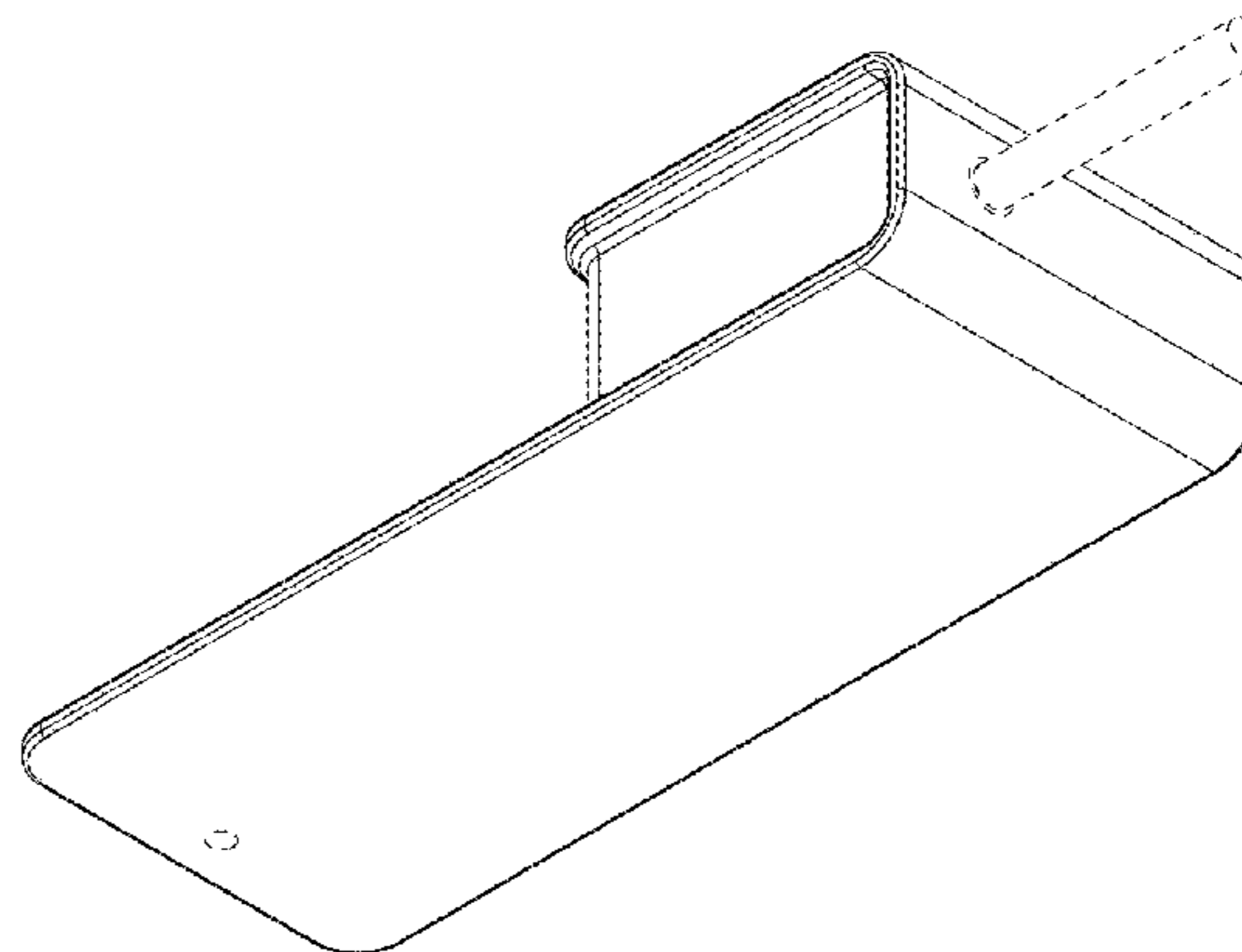
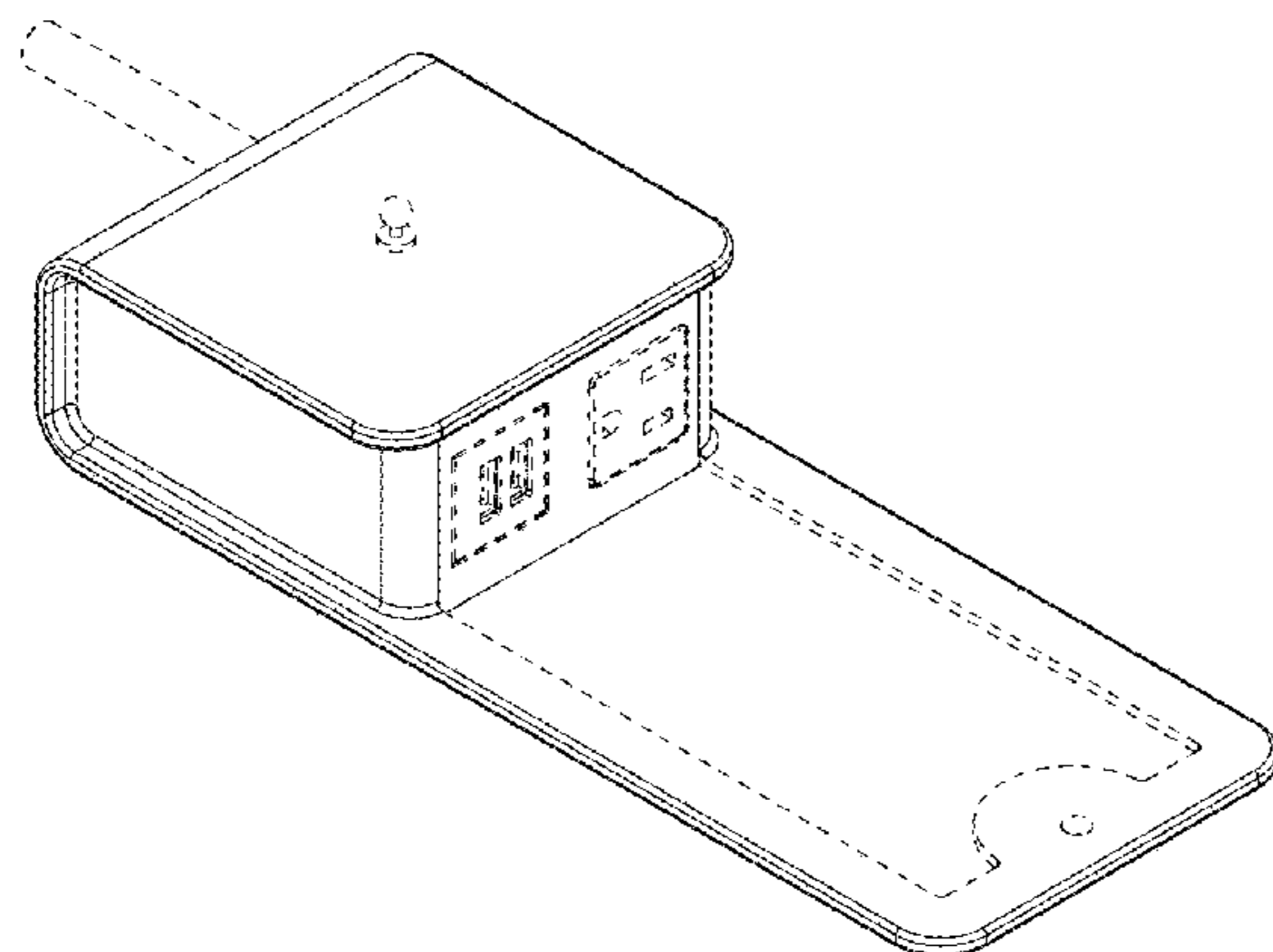
(57) **CLAIM**

The ornamental design for an electrical power unit, as shown and described.

**DESCRIPTION**

FIG. 1 is a front perspective view of an electrical power unit showing our new design in an open-cover configuration, viewed from above and to the right; FIG. 2 is a rear perspective view thereof, viewed from below and to the left; FIG. 3 is a front elevation thereof; FIG. 4 is a rear elevation thereof; FIG. 5 is a right side elevation thereof; FIG. 6 is a left side elevation thereof; FIG. 7 is a top plan view thereof; and, FIG. 8 is a bottom plan view thereof. In the drawings, the broken lines depict unclaimed subject matter only and form no part of the claimed design.

**1 Claim, 4 Drawing Sheets**



(56)

**References Cited**

U.S. PATENT DOCUMENTS

D811,337 S \* 2/2018 Byrne ..... D13/137.2

OTHER PUBLICATIONS

Co-pending and commonly-owned design U.S. Appl. No. 29/605,930,  
filed May 31, 2017.

Co-pending and commonly-owned design U.S. Appl. No. 29/607,206,  
filed Jun. 12, 2017.

\* cited by examiner

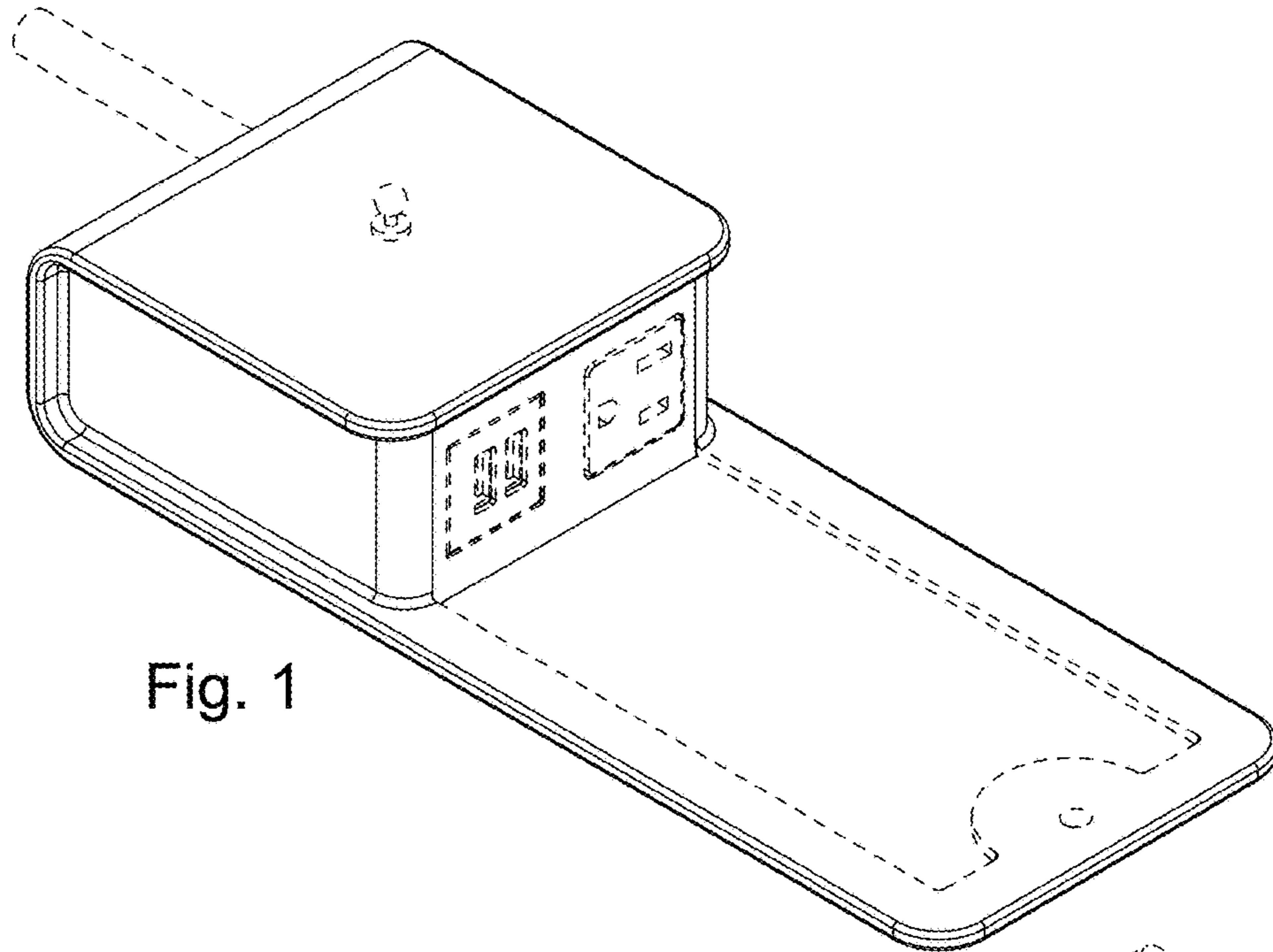


Fig. 1

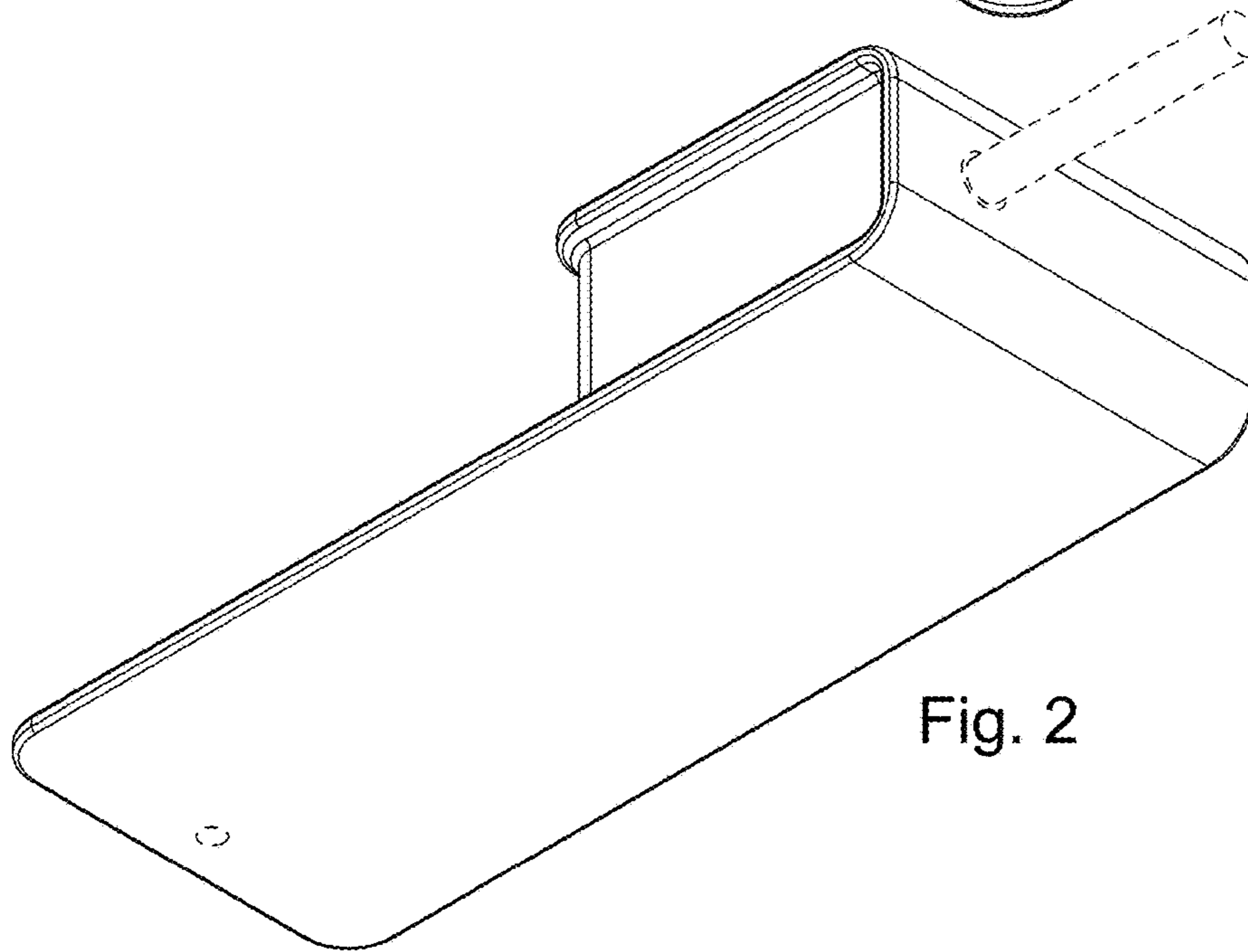


Fig. 2

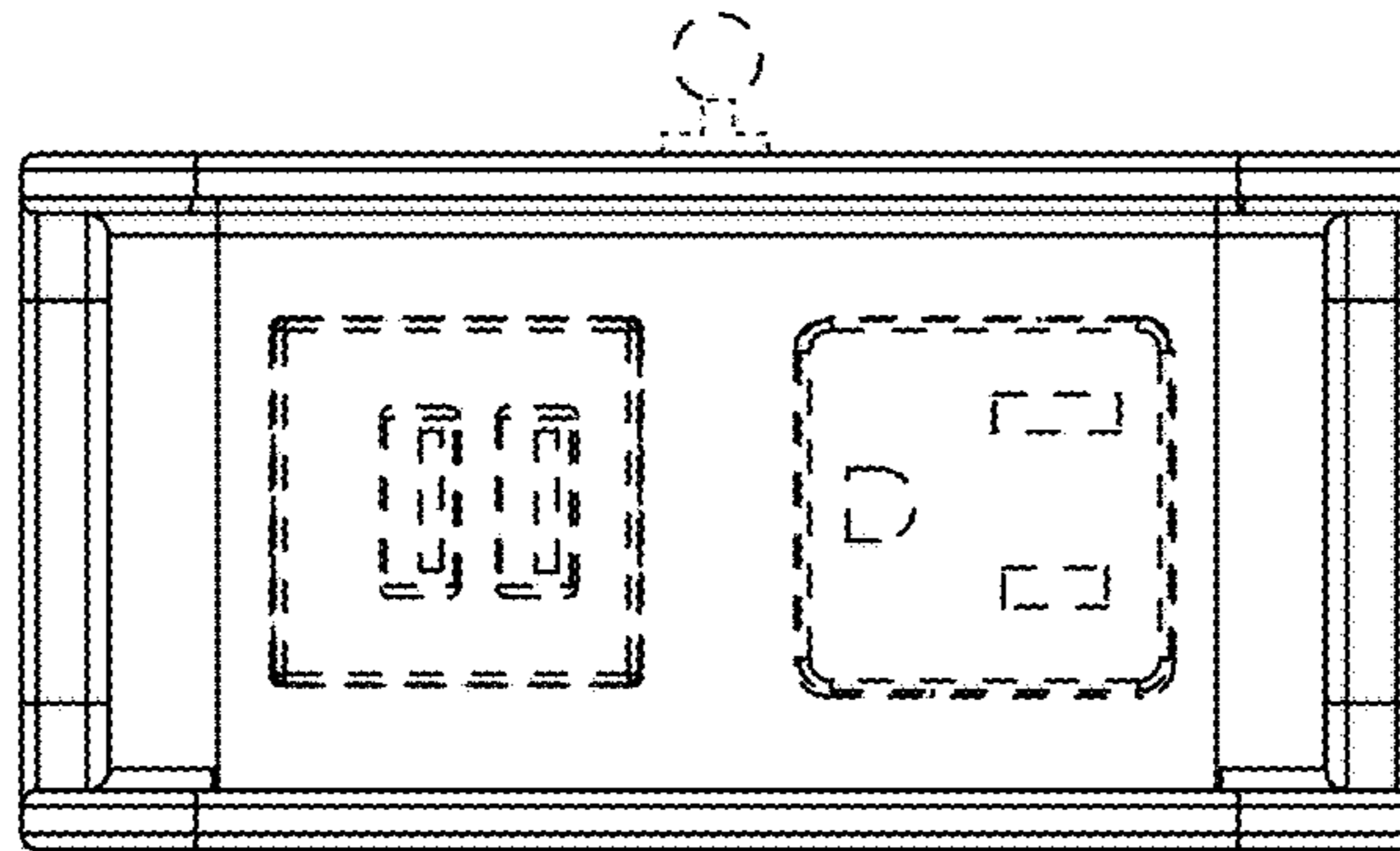


Fig. 3

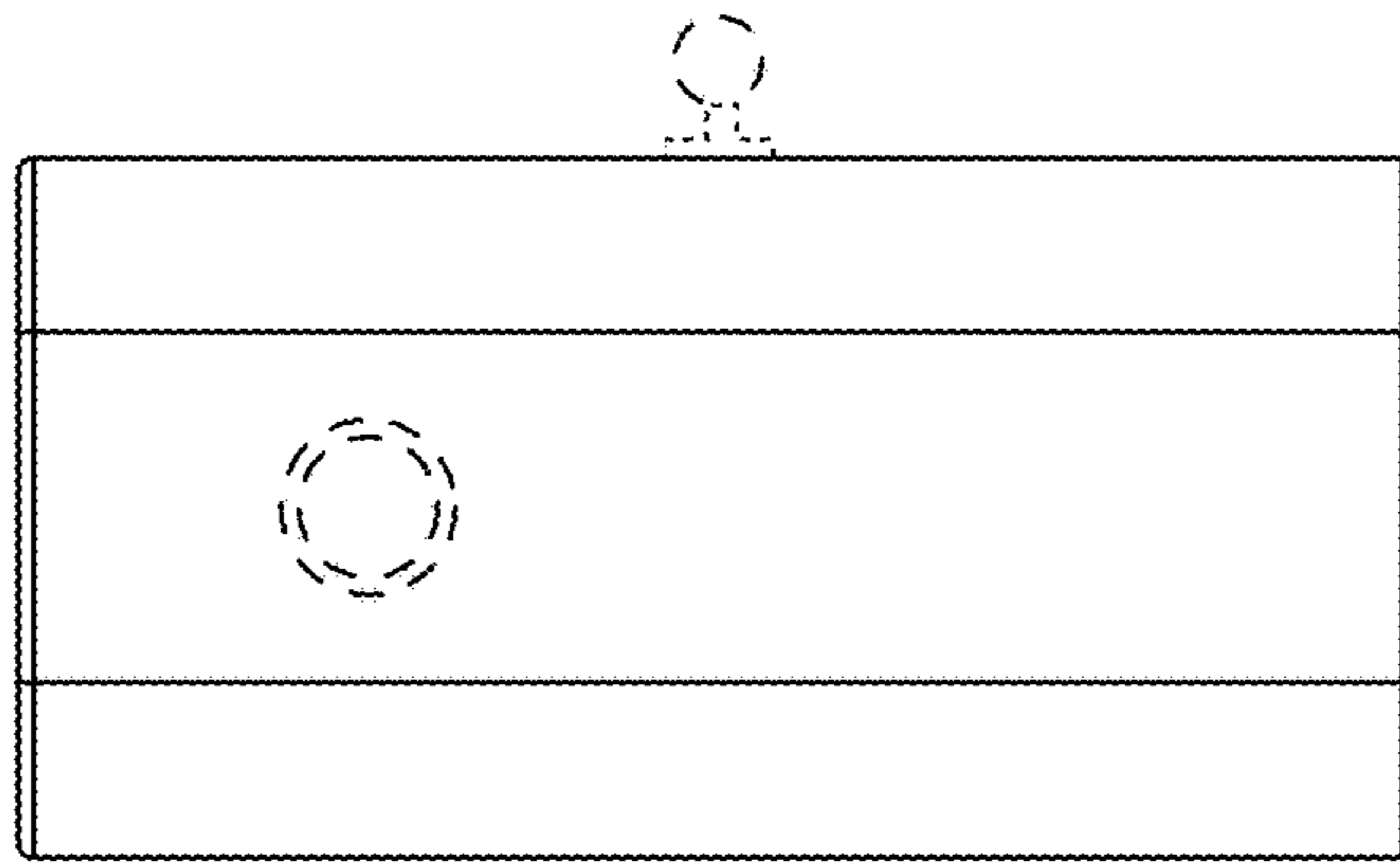


Fig. 4

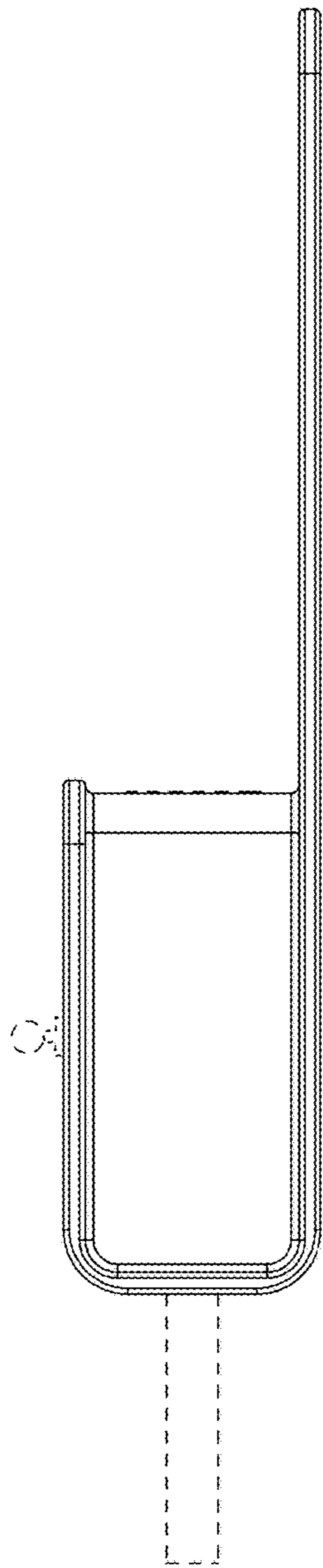


Fig. 5

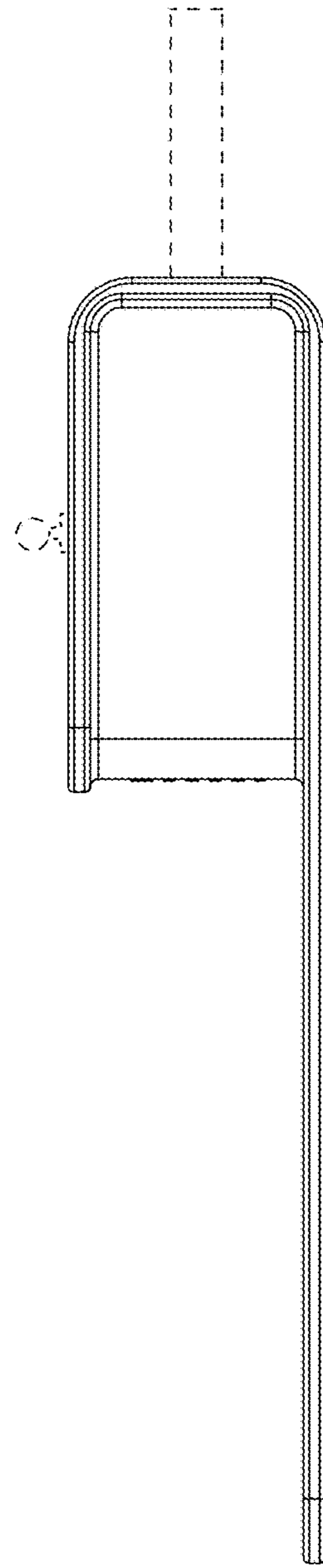


Fig. 6

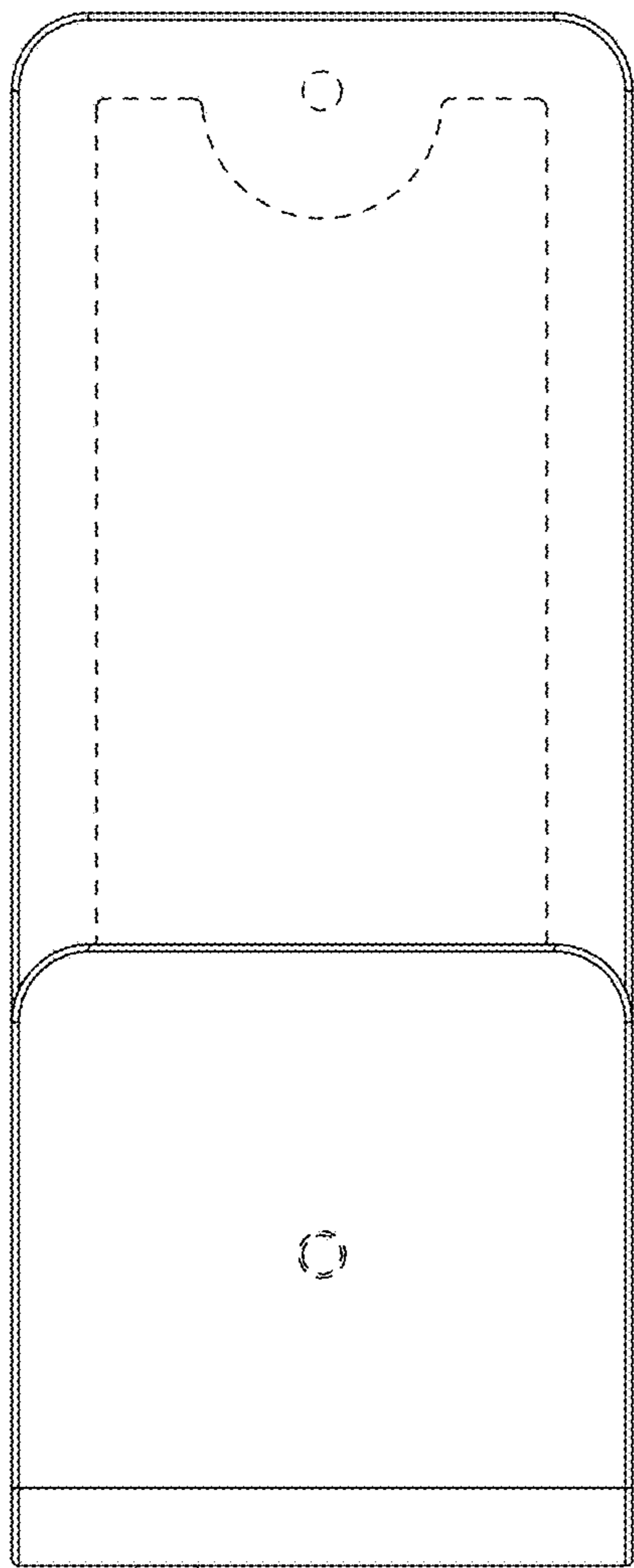


Fig. 7

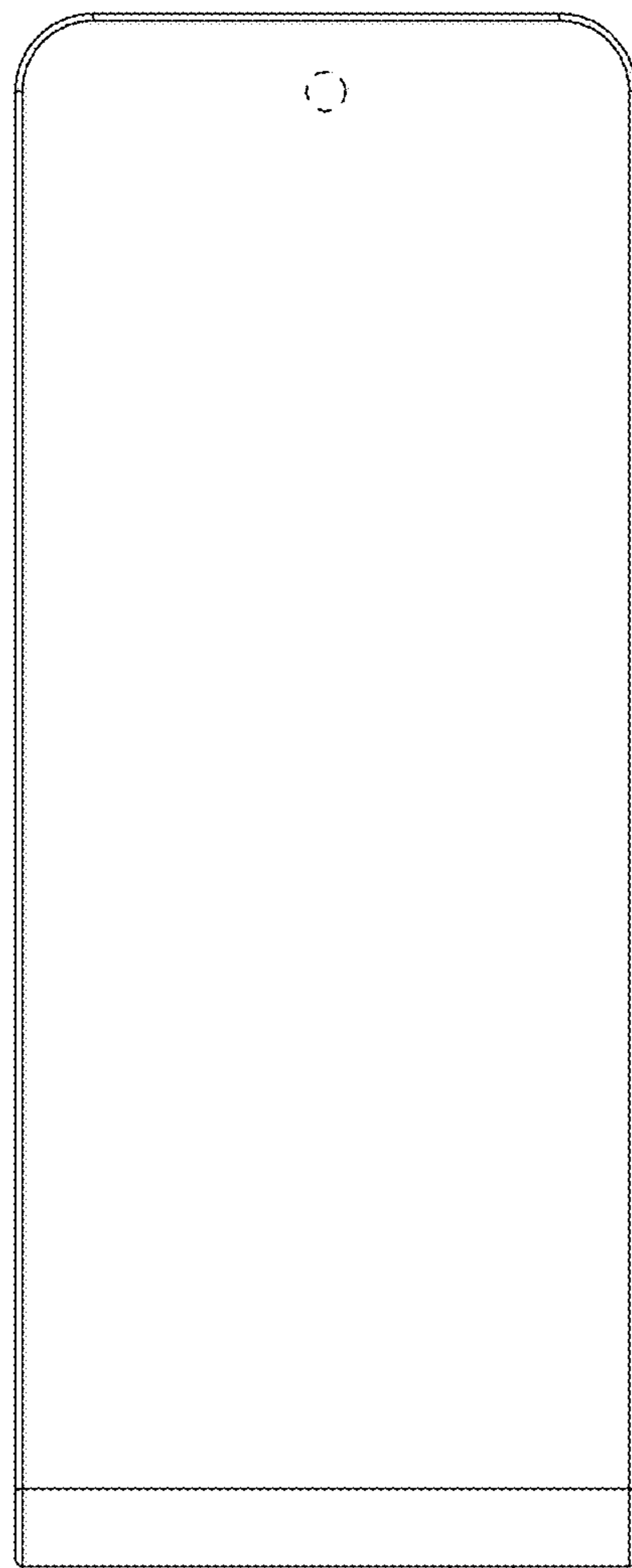


Fig. 8