



US00D839826S

(12) **United States Design Patent**  
**Dong et al.**

(10) **Patent No.:** **US D839,826 S**

(45) **Date of Patent:** **\*\* Feb. 5, 2019**

(54) **ELECTRIC POWER DISTRIBUTION UNIT**

(71) Applicant: **DELTA ELECTRONICS  
(THAILAND) PUBLIC COMPANY  
LIMITED**, A. Muang (TH)

(72) Inventors: **Kai Dong**, A.Muang (TH); **Keting  
Fang**, A.Muang (TH); **Hongming Li**,  
A.Muang (TH); **Jie Ruan**, A.Muang  
(TH); **Zhongwei Ke**, A.Muang (TH)

(73) Assignee: **DELTA ELECTRONICS  
(THAILAND) PUBLIC COMPANY  
LIMITED**, Samutprakarn (TH)

(\*\*) Term: **15 Years**

(21) Appl. No.: **29/584,510**

(22) Filed: **Nov. 15, 2016**

(51) **LOC (11) Cl.** ..... **13-03**

(52) **U.S. Cl.**  
USPC ..... **D13/123**

(58) **Field of Classification Search**  
USPC .... D13/110, 123, 139.4, 162, 103, 112–116,  
D13/122, 124, 133, 137.2, 152, 184, 164  
CPC .... H02J 4/00; H02J 5/00; H02J 50/00; H02G  
5/06; H04Q 2213/13076  
See application file for complete search history.

(56) **References Cited**

**U.S. PATENT DOCUMENTS**

5,119,268	A	*	6/1992	Brown	.....	H02G 5/06 174/494
D344,067	S	*	2/1994	Krokaugger	.....	D13/162
D349,503	S	*	8/1994	Roy	.....	D13/184
D353,143	S	*	12/1994	Namba	.....	D13/184
D395,654	S	*	6/1998	Mackie	.....	D13/110
D409,140	S	*	5/1999	Endo	.....	D13/119
D419,533	S	*	1/2000	Smith	.....	D13/184
D423,452	S	*	4/2000	Fujisawa	.....	D13/110
D451,883	S	*	12/2001	Reynolds	.....	D13/110

D452,475	S	*	12/2001	Reynolds	.....	D13/110
D458,218	S	*	6/2002	Reynolds	.....	D13/110
D462,658	S	*	9/2002	Reynolds	.....	D13/110
D464,617	S	*	10/2002	Reynolds	.....	D13/110
D482,662	S	*	11/2003	Foster	.....	D13/162
D517,984	S	*	3/2006	Suckle	.....	D13/110
D529,437	S	*	10/2006	Miyashita	.....	D13/103
D536,675	S	*	2/2007	Millar	.....	D13/184
D649,933	S	*	12/2011	Wang	.....	D13/110

(Continued)

**OTHER PUBLICATIONS**

Amazon.com: Treztek 8 Outlets Network Grade PDU Power Strip Surge Protector. Published Nov. 7, 2016. Retrieved from the internet at <<https://www.amazon.com/Treztek-Protector-Aluminum-Distribution-Rackmount/dp/B01N01W6KE>>, Nov. 9, 2018. 1 page. (Year: 2016).\*

*Primary Examiner* — Rosemary K Tarcza

*Assistant Examiner* — Christy M Nemeth

(74) *Attorney, Agent, or Firm* — Kirton McConkie; Evan R. Witt

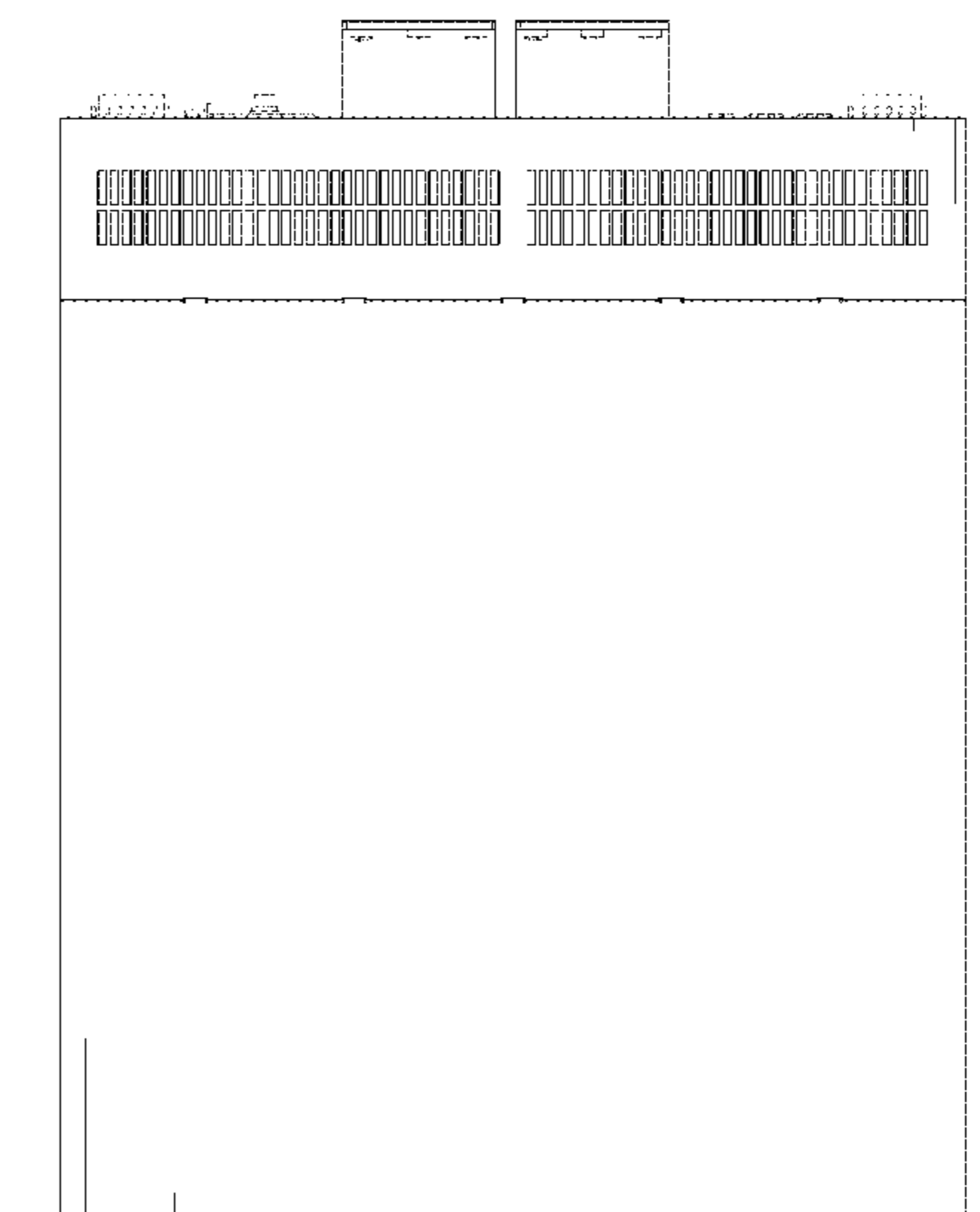
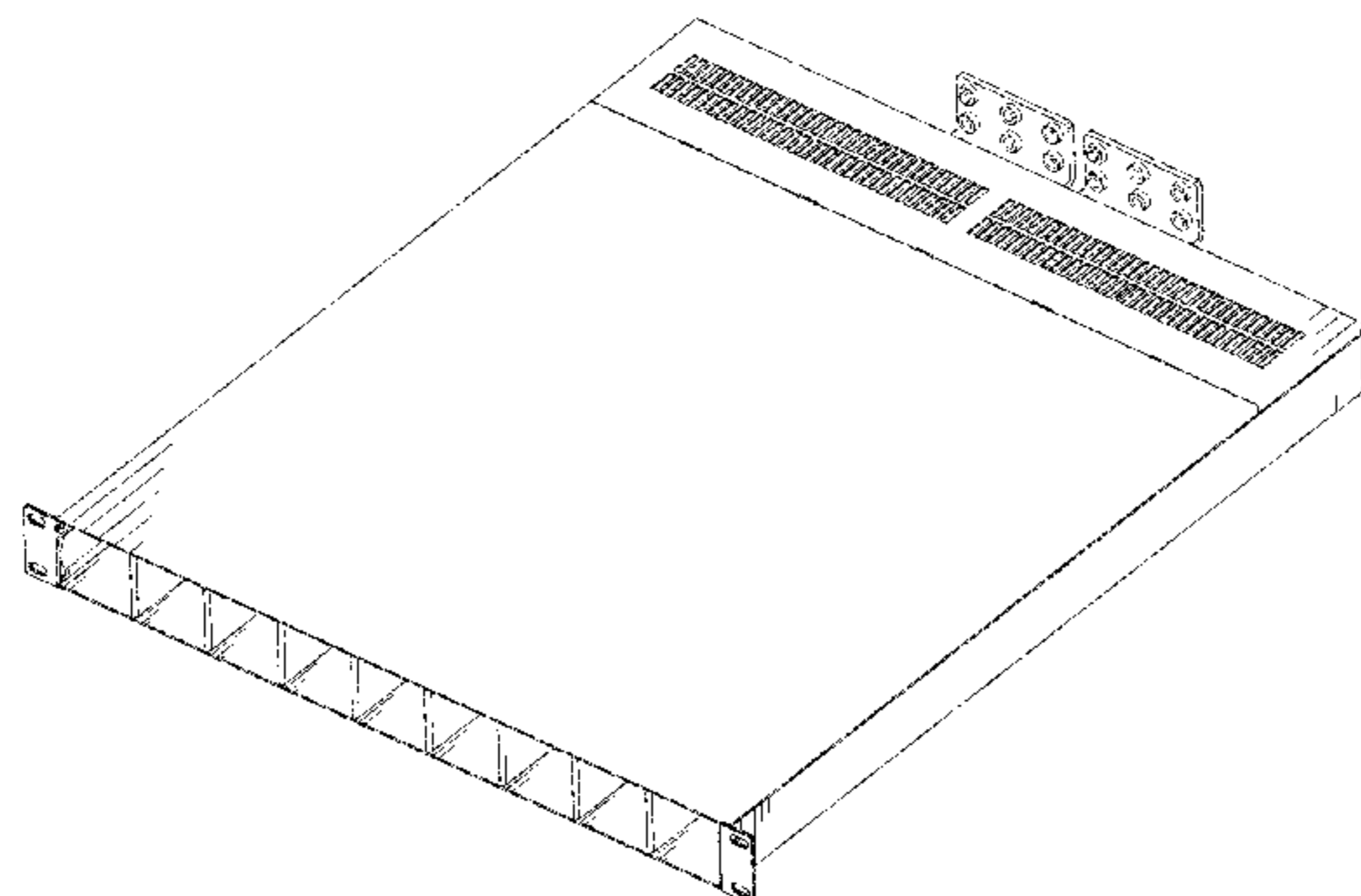
(57) **CLAIM**

The ornamental design for an electric power distribution unit, as shown and described.

**DESCRIPTION**

FIG. 1 is a perspective view of an electric power distribution unit showing our new design;  
FIG. 2 is a front elevation view thereof;  
FIG. 3 is a rear elevation view thereof;  
FIG. 4 is a left side elevation view thereof;  
FIG. 5 is a right side elevation view thereof;  
FIG. 6 is a top plan view thereof; and,  
FIG. 7 is a bottom plan view thereof.  
The broken lines in the drawings are for the purpose of illustrating portions of the electric power distribution unit that form no part of the claimed design.

**1 Claim, 4 Drawing Sheets**



(56)

**References Cited**

U.S. PATENT DOCUMENTS

8,121,740 B2 *	2/2012	Yang .....	H02J 13/00 700/292
D675,160 S *	1/2013	Tanaka .....	D13/110
D721,706 S *	1/2015	Rooyakkers .....	D13/110
D731,412 S *	6/2015	Gao .....	D13/103
D760,176 S *	6/2016	Greiser .....	D13/162
D766,840 S *	9/2016	Greiser .....	D13/162
D772,159 S *	11/2016	Takano .....	D13/110
D780,691 S *	3/2017	Reynolds .....	D13/110
D780,692 S *	3/2017	Hopponen .....	D13/110
D805,031 S *	12/2017	Yamasaki .....	D13/110
D811,327 S *	2/2018	Mueller .....	D13/110
D813,807 S *	3/2018	Spiegel .....	D13/110
D826,848 S *	8/2018	Toshida .....	D13/103

\* cited by examiner

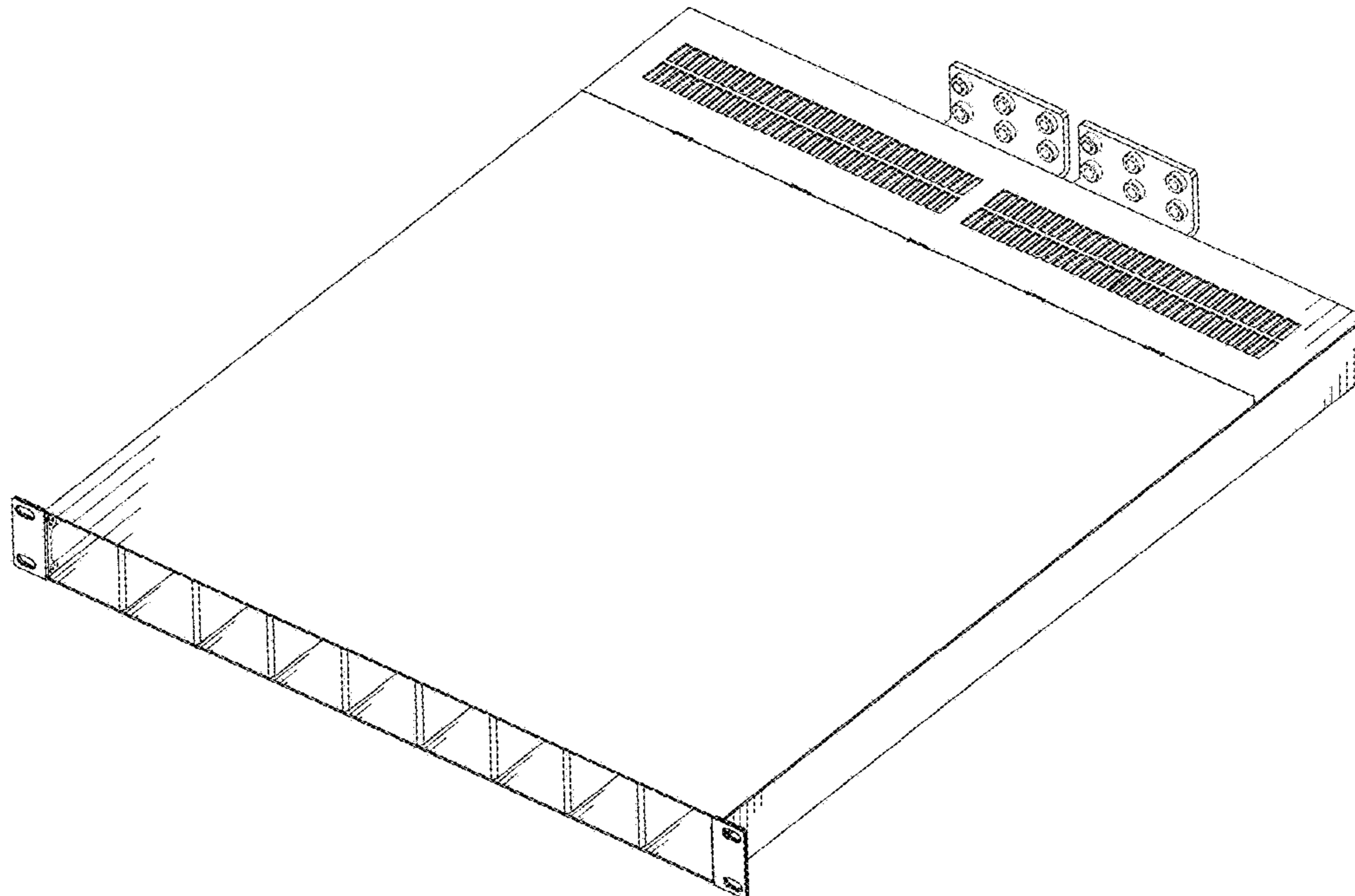


FIG. 1

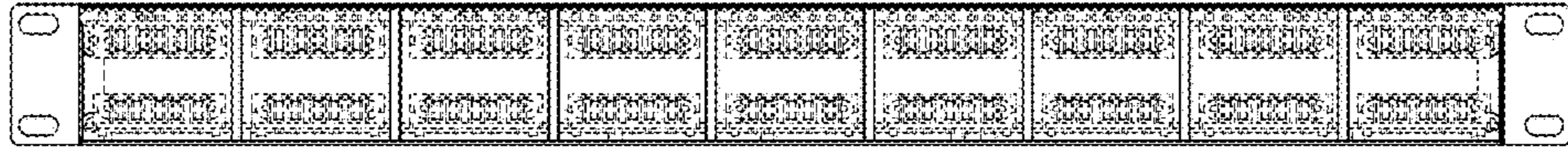


FIG. 2

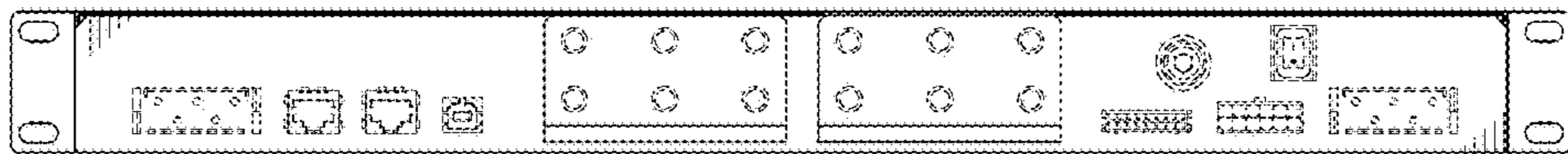


FIG. 3

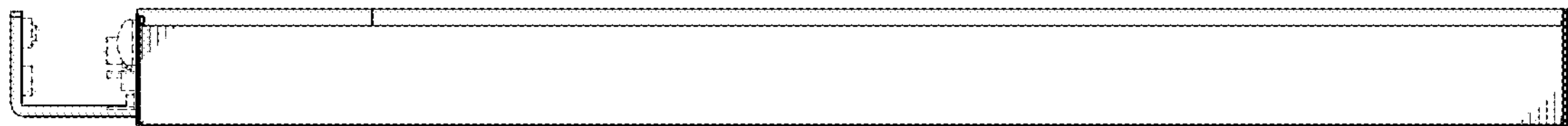


FIG. 4

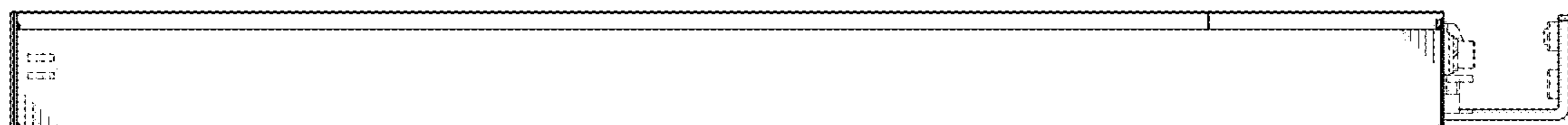


FIG. 5

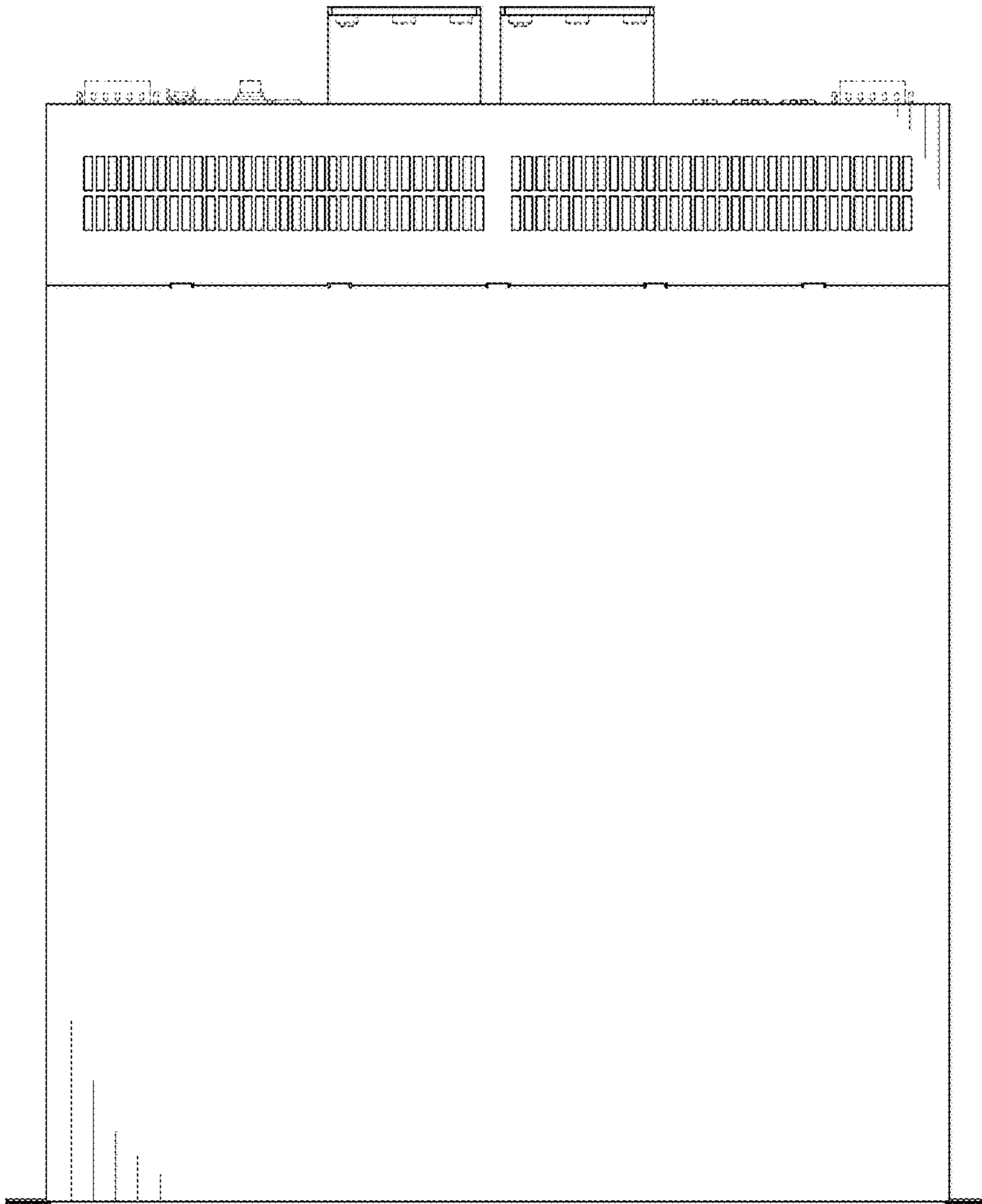


FIG. 6

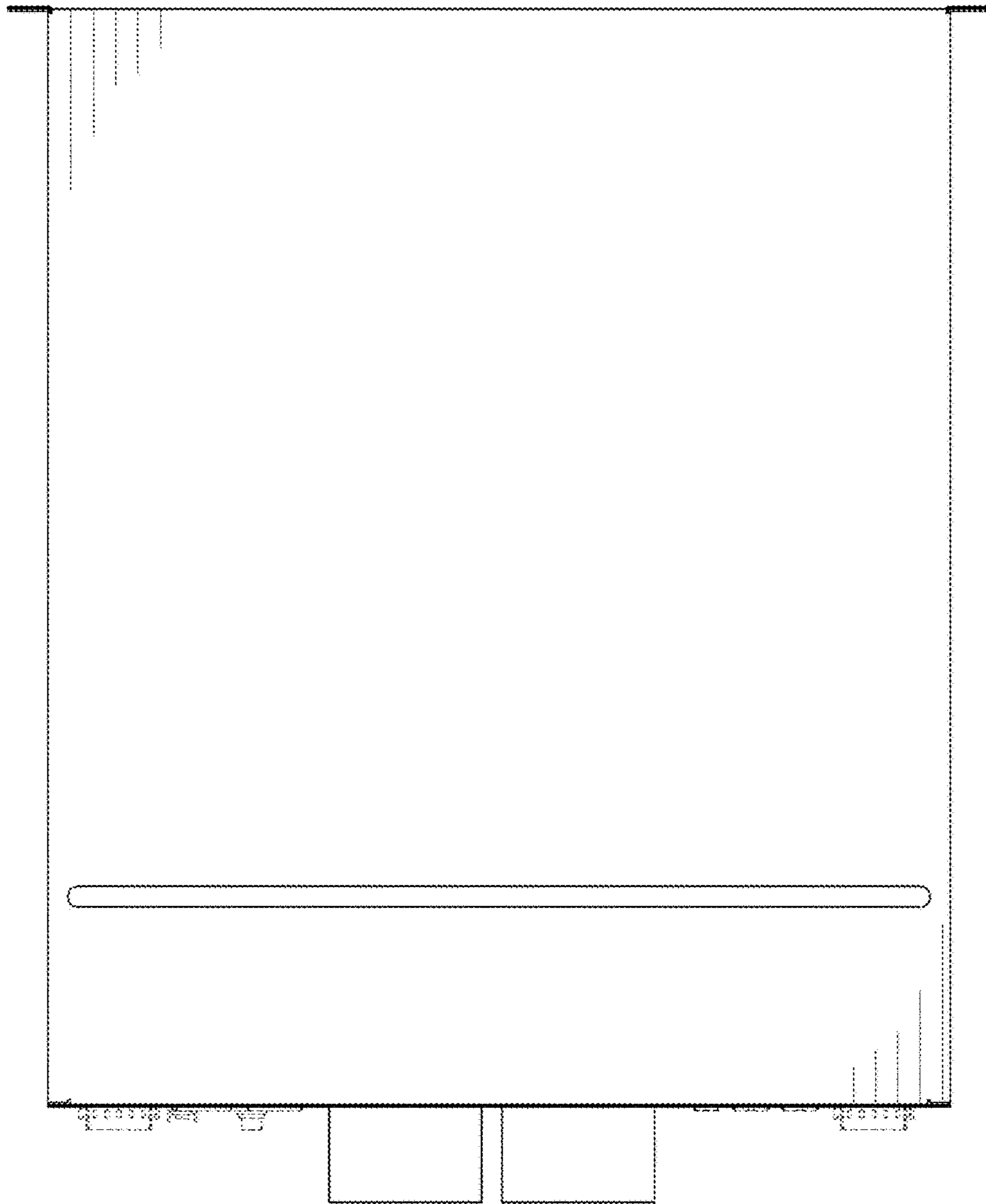


FIG. 7