



US00D839825S

(12) **United States Design Patent**
Tschopp

(10) **Patent No.:** **US D839,825 S**

(45) **Date of Patent:** **** Feb. 5, 2019**

(54) **WIRELESS CHARGER**

(71) Applicant: **Black & Decker Inc.**, New Britain, CT (US)

(72) Inventor: **Tylan A. Tschopp**, Baltimore, MD (US)

(73) Assignee: **BLACK & DECKER INC.**, New Britain, CT (US)

(**) Term: **15 Years**

(21) Appl. No.: **29/587,573**

(22) Filed: **Dec. 14, 2016**

(51) **LOC (11) Cl.** **13-02**

(52) **U.S. Cl.**
USPC **D13/108**

(58) **Field of Classification Search**
USPC D13/107-110, 118-119, 184; D14/251, D14/253, 432, 434
CPC Y02E 60/12; Y02T 90/14; Y02T 90/122; Y02T 90/128; Y02T 90/163; H02J 7/025; H02J 7/0042; H02J 7/0044; H02J 7/0045; H02J 7/0003; H01F 38/14; H01R 13/6675; H01M 2/1022; H01M 2/1055; H01M 10/44; H01M 10/46; H01M 10/425; B60L 11/182
See application file for complete search history.

(56) **References Cited**

U.S. PATENT DOCUMENTS

D639,734 S *	6/2011	Ferber	D13/108
D710,300 S *	8/2014	Burke	D13/108
D711,867 S *	8/2014	Harris	D14/253
D723,506 S *	3/2015	Aglassinger	D14/188
D726,142 S *	4/2015	Itoh	D14/196

D741,795 S *	10/2015	Conrad	D13/108
D759,018 S *	6/2016	Subramaniam	D14/434
D760,163 S *	6/2016	Sontag	D13/108
D775,621 S *	1/2017	Corrado	D14/253
D788,700 S *	6/2017	Yang	D13/108
D813,161 S *	3/2018	Ortakales	D13/110
D815,593 S *	4/2018	Alves	D13/108
2010/0295228 A1 *	11/2010	Woody	B60R 11/0241 269/254 R

* cited by examiner

Primary Examiner — Rosemary K Tarcza

Assistant Examiner — Nathaniel D. Buckner

(74) *Attorney, Agent, or Firm* — Adan Ayala

(57) **CLAIM**

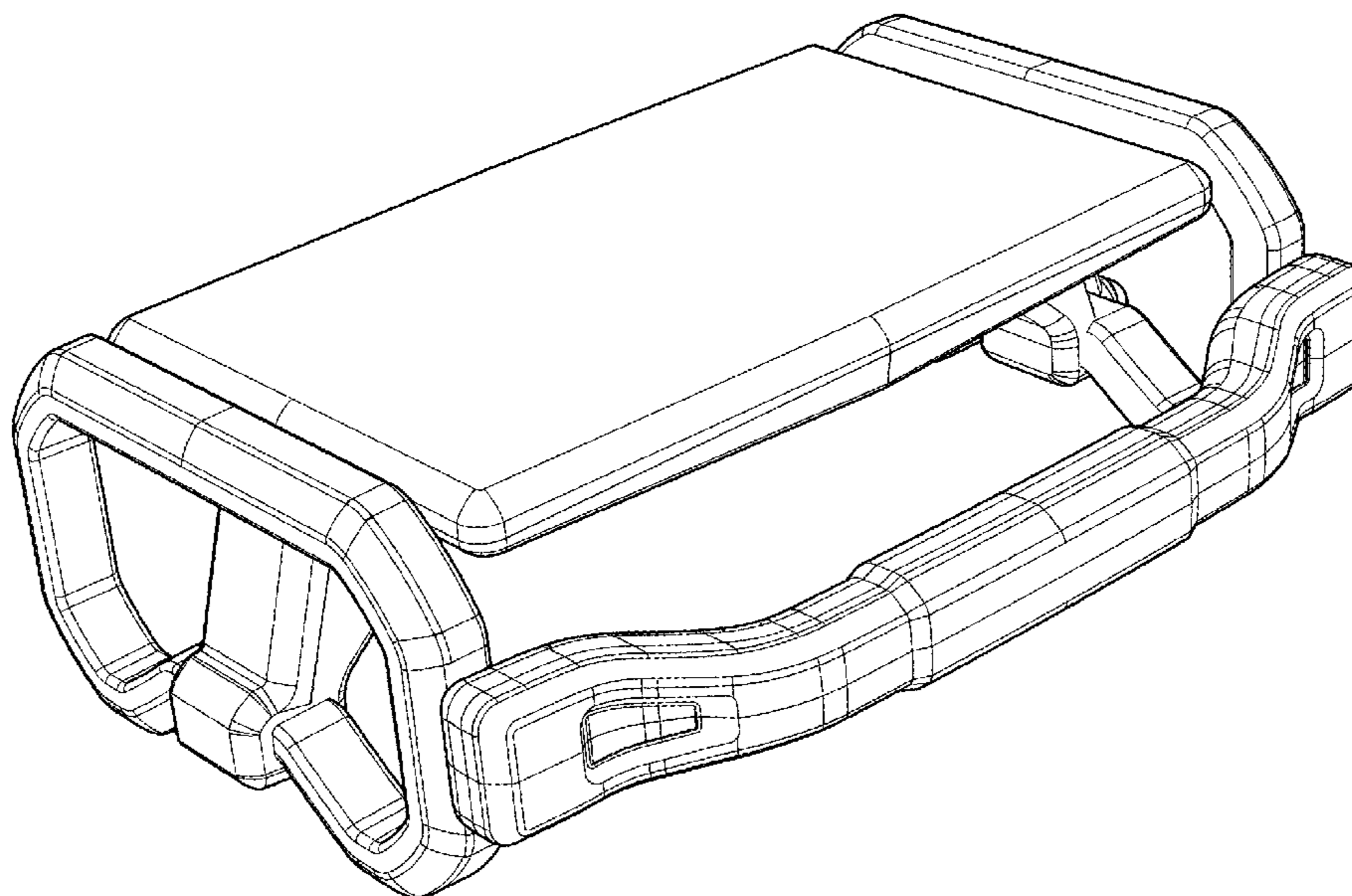
The ornamental design for a wireless charger, as shown and described.

DESCRIPTION

FIG. 1 is a front perspective view of a wireless charger according to the invention.
FIG. 2 is a front view of the wireless charger of FIG. 1.
FIG. 3 is a rear view of the wireless charger of FIG. 1.
FIG. 4 is a left side view of the wireless charger of FIG. 1.
FIG. 5 is a right side view of the wireless charger of FIG. 1.
FIG. 6 is a top plan view of the wireless charger of FIG. 1.
FIG. 7 is a bottom plan view of the wireless charger of FIG. 1; and,
FIG. 8 is a rear perspective view of the wireless charger of FIG. 1.

The broken lines in the figures depict portions of the article which form no part of the claimed design.

1 Claim, 8 Drawing Sheets



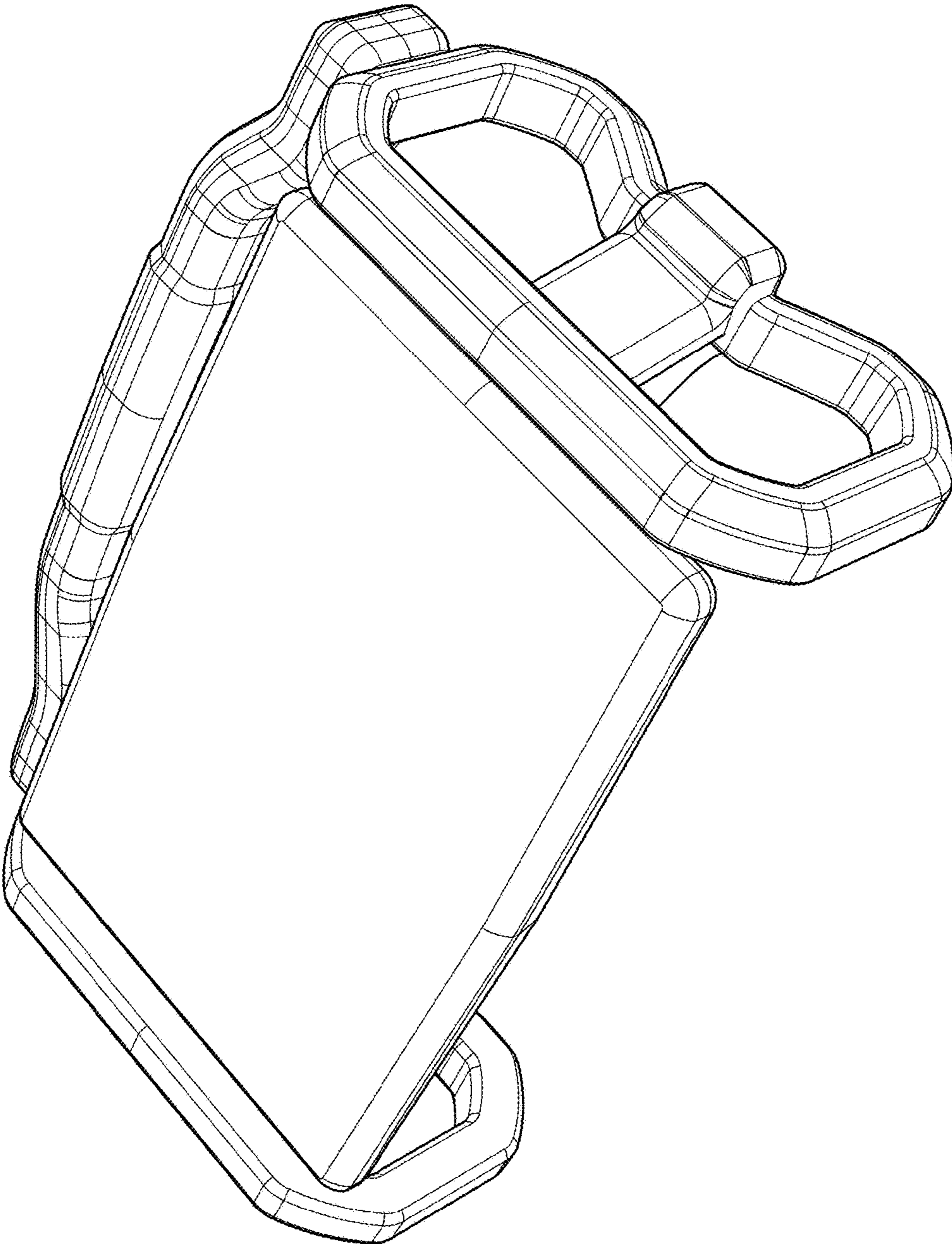


FIG. 1

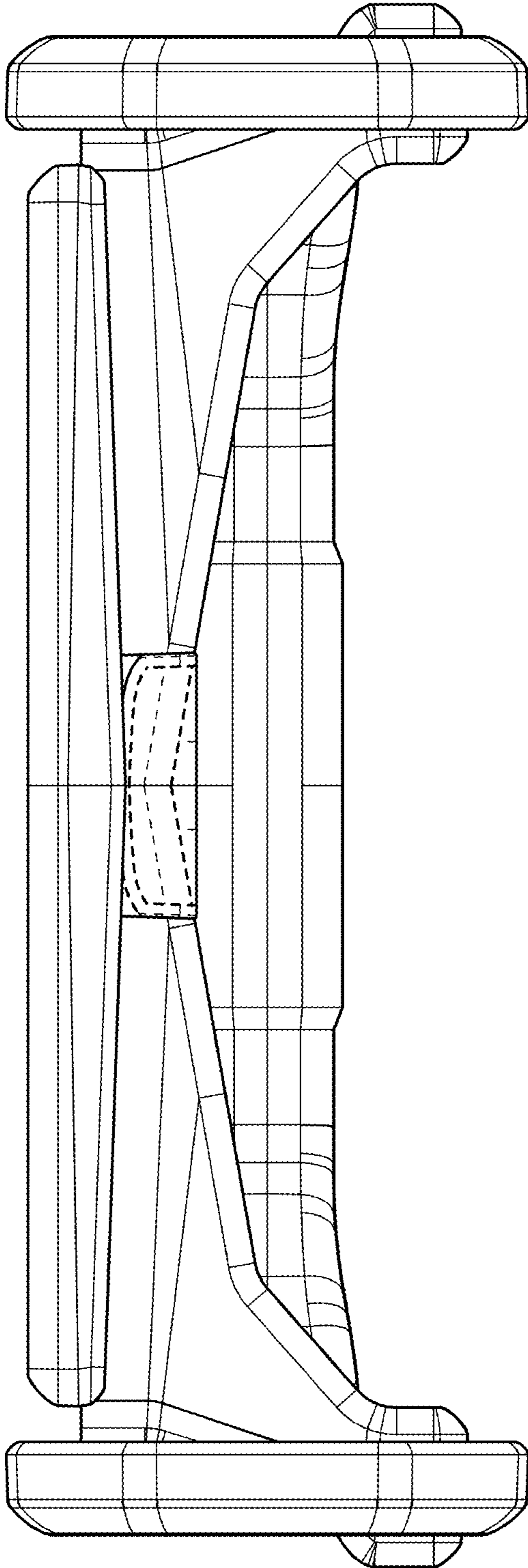


FIG. 2

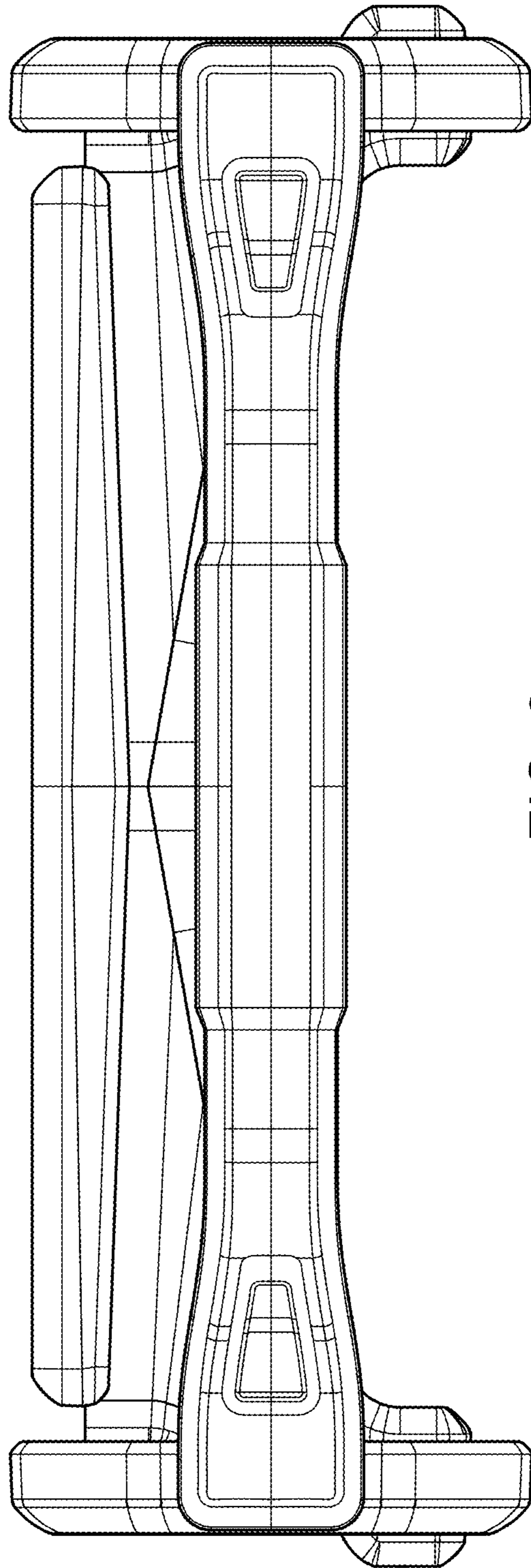


FIG. 3

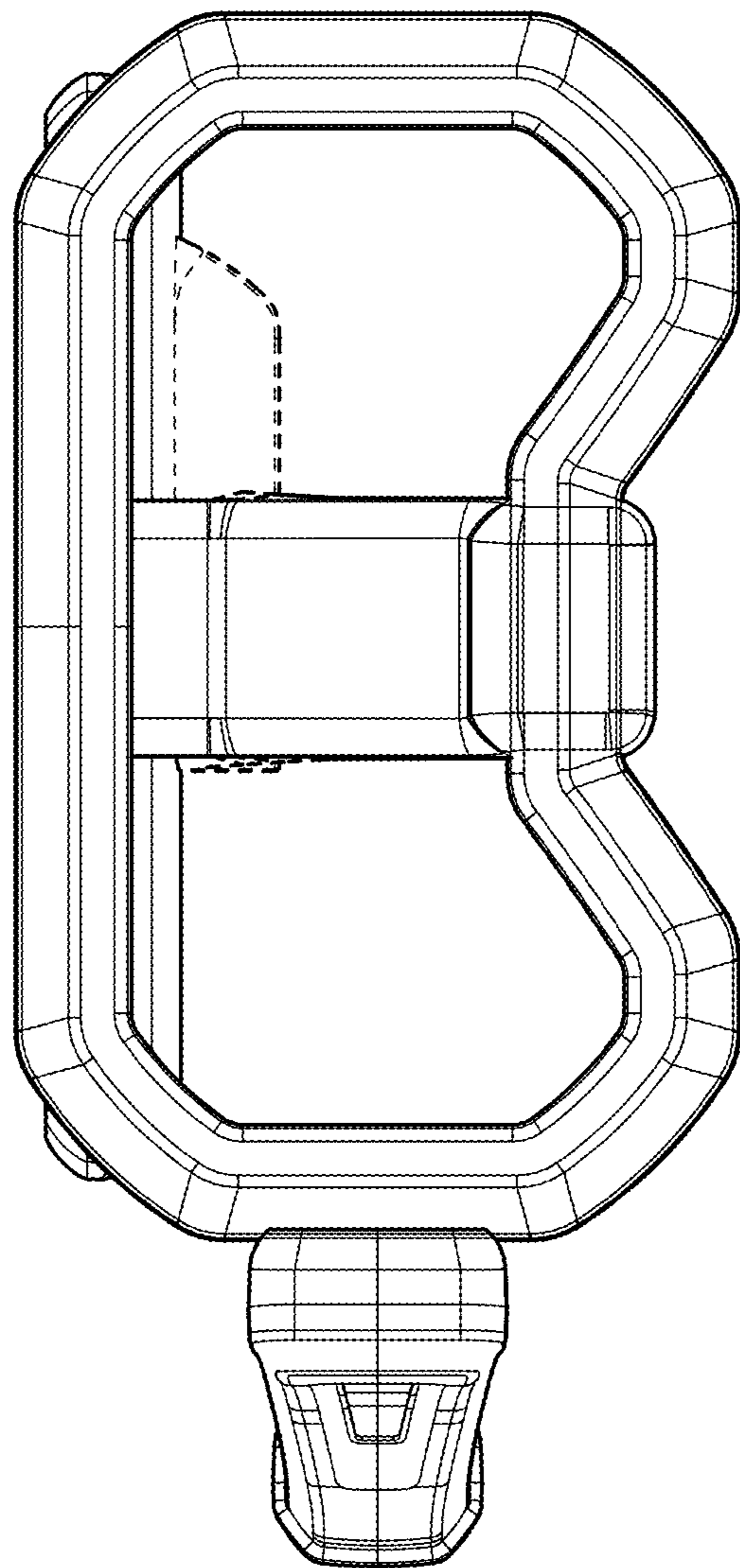


FIG. 4

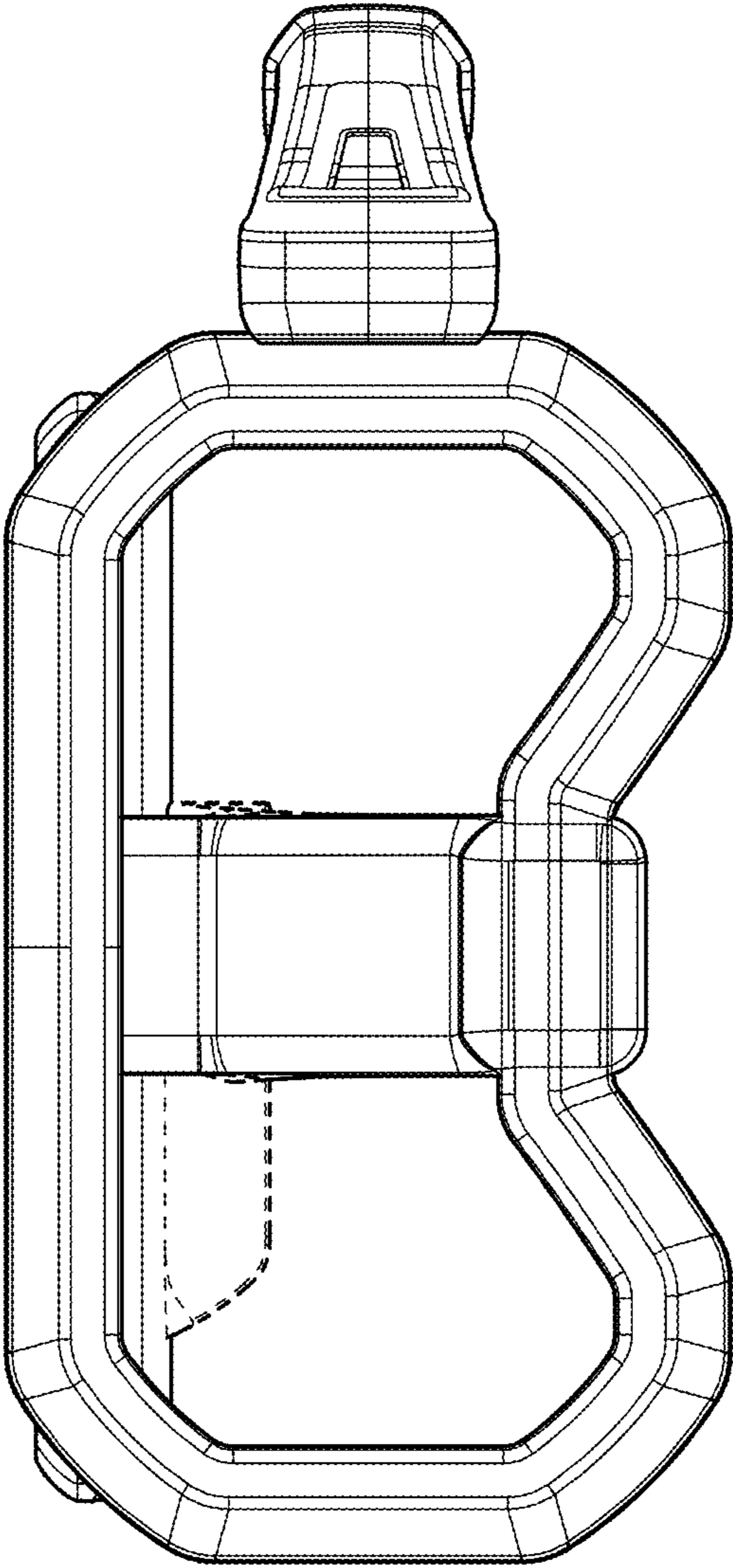


FIG. 5

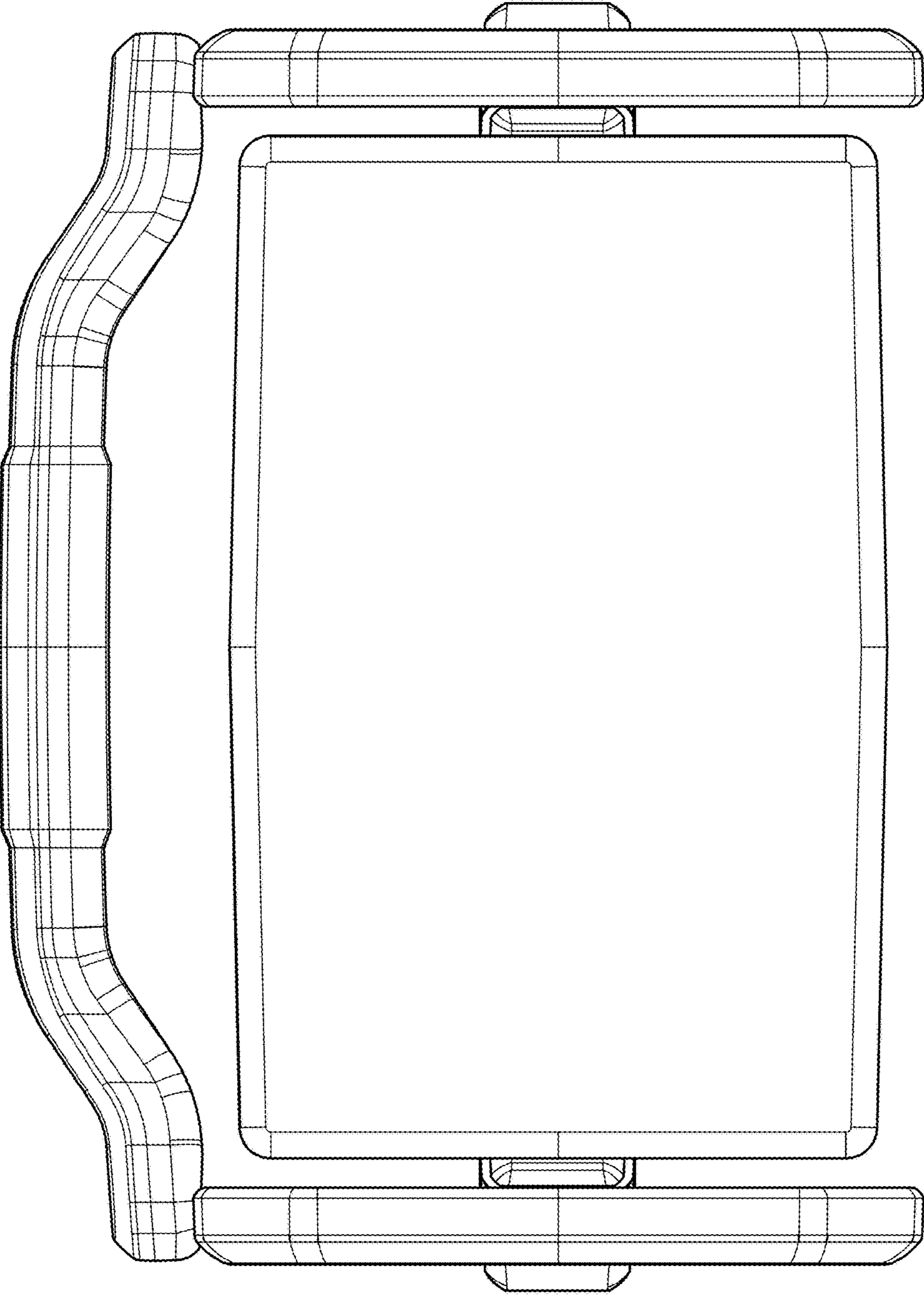


FIG. 6

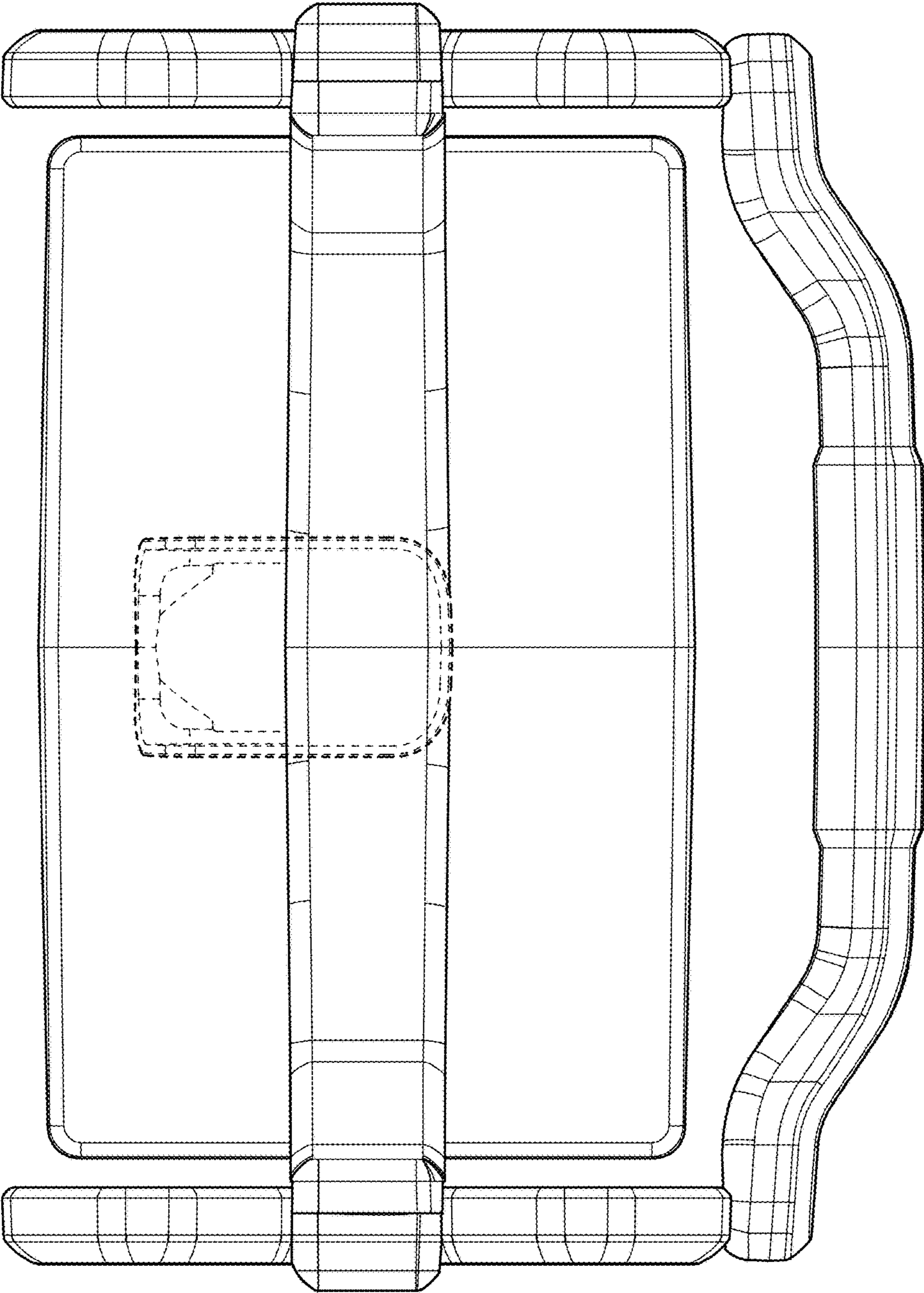


FIG. 7

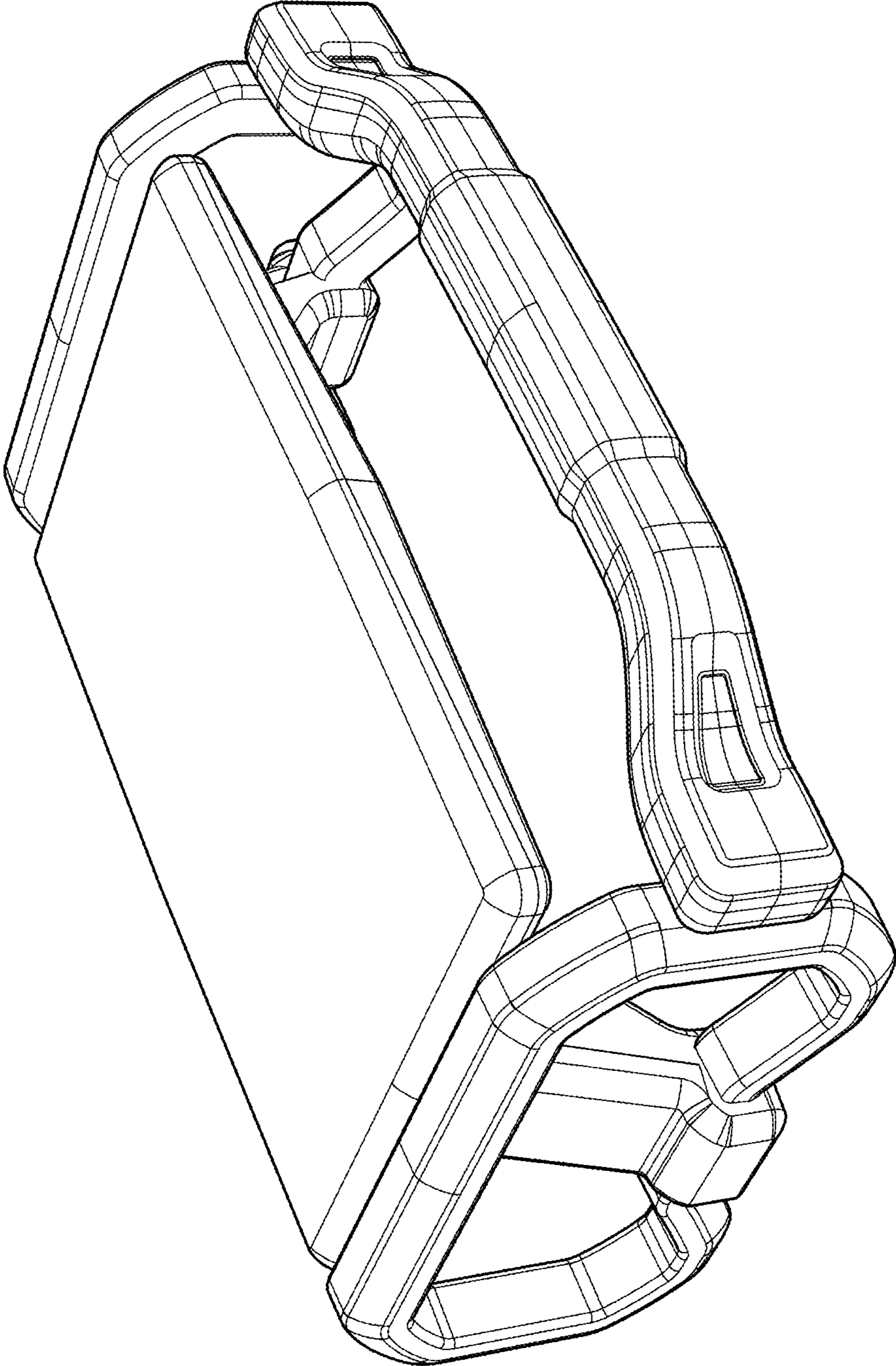


FIG. 8