



US00D839823S

(12) **United States Design Patent**
Lemelson et al.

(10) **Patent No.:** **US D839,823 S**

(45) **Date of Patent:** **** Feb. 5, 2019**

(54) **POWER BANK**

(71) Applicant: **Ubio Labs, Inc.**, Bellevue, WA (US)

(72) Inventors: **Jason D. Lemelson**, Bellevue, WA (US); **Kenneth D. Jasinski**, Bellevue, WA (US)

(73) Assignee: **UBIO LABS, INC.**, Bellevue, WA (US)

(**) Term: **15 Years**

(21) Appl. No.: **29/605,953**

(22) Filed: **May 31, 2017**

(51) **LOC (11) Cl.** **13-02**

(52) **U.S. Cl.**
USPC **D13/103; D13/108**

(58) **Field of Classification Search**
USPC D13/102–108, 110, 118–121, 184, 199
CPC Y02E 60/12; Y02E 60/122; Y02E 60/124;
Y02E 60/50; H01M 2/02; H01M 2/022;
H01M 2/0202; H01M 2/0207; H01M
2/0212; H01M 2/1061; H01M 2/1022;
H01M 2/1055; H01M 2/1066; H01M
2/105; H01M 2/204; H01M 10/4257;
H01M 10/0436; H01M 10/48; H02J 7/00;
H02J 7/0003; H02J 7/0011; H02J 7/0013;
H02J 7/0054; H02J 7/0055; H02J 7/0057;
H02J 2007/0062

See application file for complete search history.

(56) **References Cited**

U.S. PATENT DOCUMENTS

D586,740 S * 2/2009 Song D13/103
D676,380 S * 2/2013 Sun D13/108

D677,623 S * 3/2013 Fitch D13/108
D678,191 S * 3/2013 Fitch D13/108
D694,708 S * 12/2013 Kim D13/108
D717,243 S * 11/2014 Liu D13/103
D746,771 S * 1/2016 Perez D13/108
D791,070 S * 7/2017 Son D13/103
D791,077 S * 7/2017 Tsou D13/108
D797,043 S * 9/2017 Akana D13/103
D800,058 S * 10/2017 Qiu D13/103
D807,286 S * 1/2018 Qiu D13/103
D815,037 S * 4/2018 Chen D13/108
D826,854 S * 8/2018 Roberts D13/108
D827,569 S * 9/2018 Roberts D13/108

* cited by examiner

Primary Examiner — Rosemary K Tarcza

(74) *Attorney, Agent, or Firm* — K&L Gates LLP

(57) **CLAIM**

The ornamental design for a power bank, as shown and described.

DESCRIPTION

FIG. 1 is a front perspective view of a power bank showing our new design;

FIG. 2 is a front view thereof;

FIG. 3 is a rear view thereof;

FIG. 4 is a right side view thereof;

FIG. 5 is a left side view thereof;

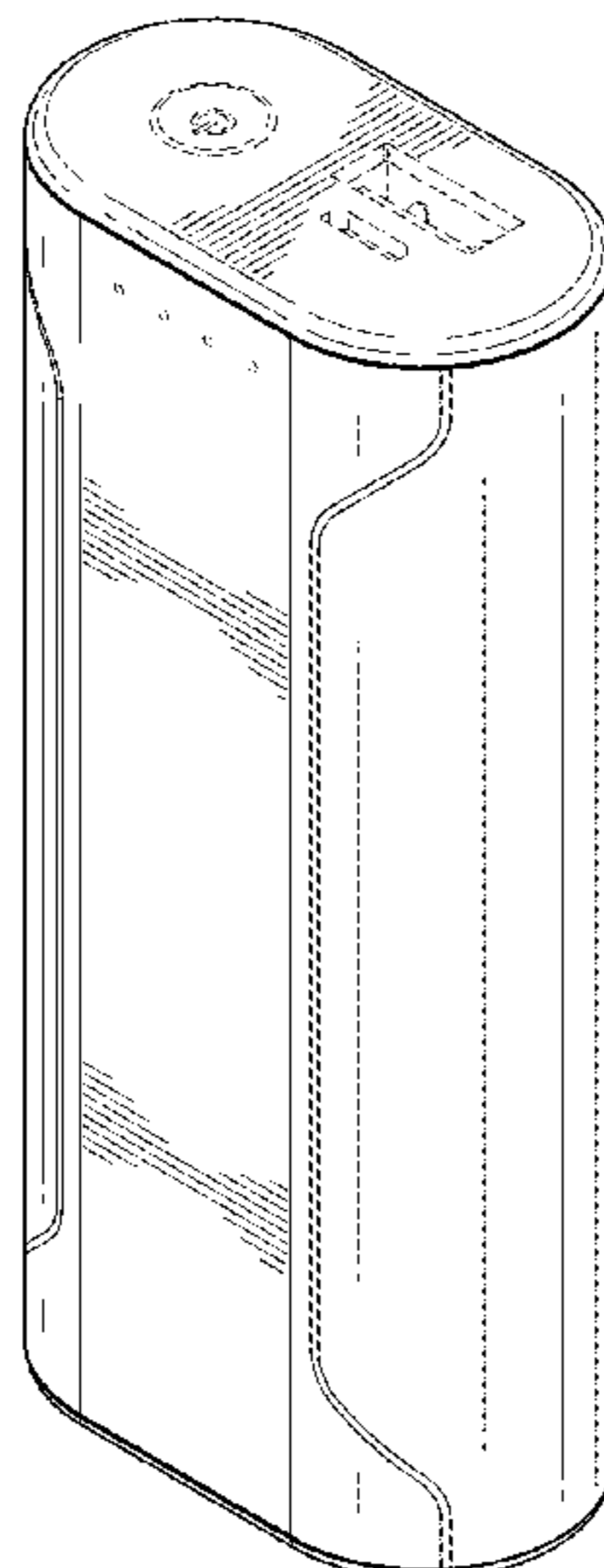
FIG. 6 is a top view thereof; and,

FIG. 7 is a bottom view thereof.

The broken lines shown in the drawings are for the purpose of illustrating portions of the power bank which form no part of the claimed design.

The portions including surface shading represent contour and not surface ornamentation.

1 Claim, 5 Drawing Sheets



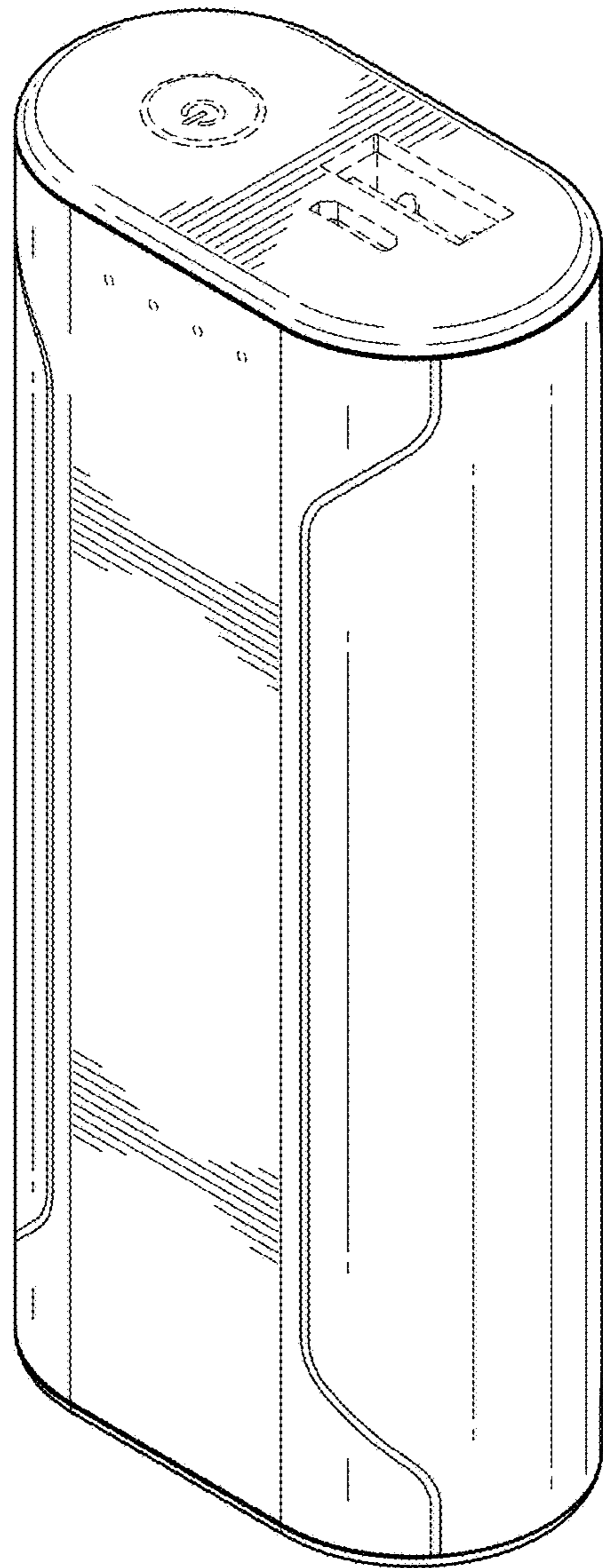


FIG. 1

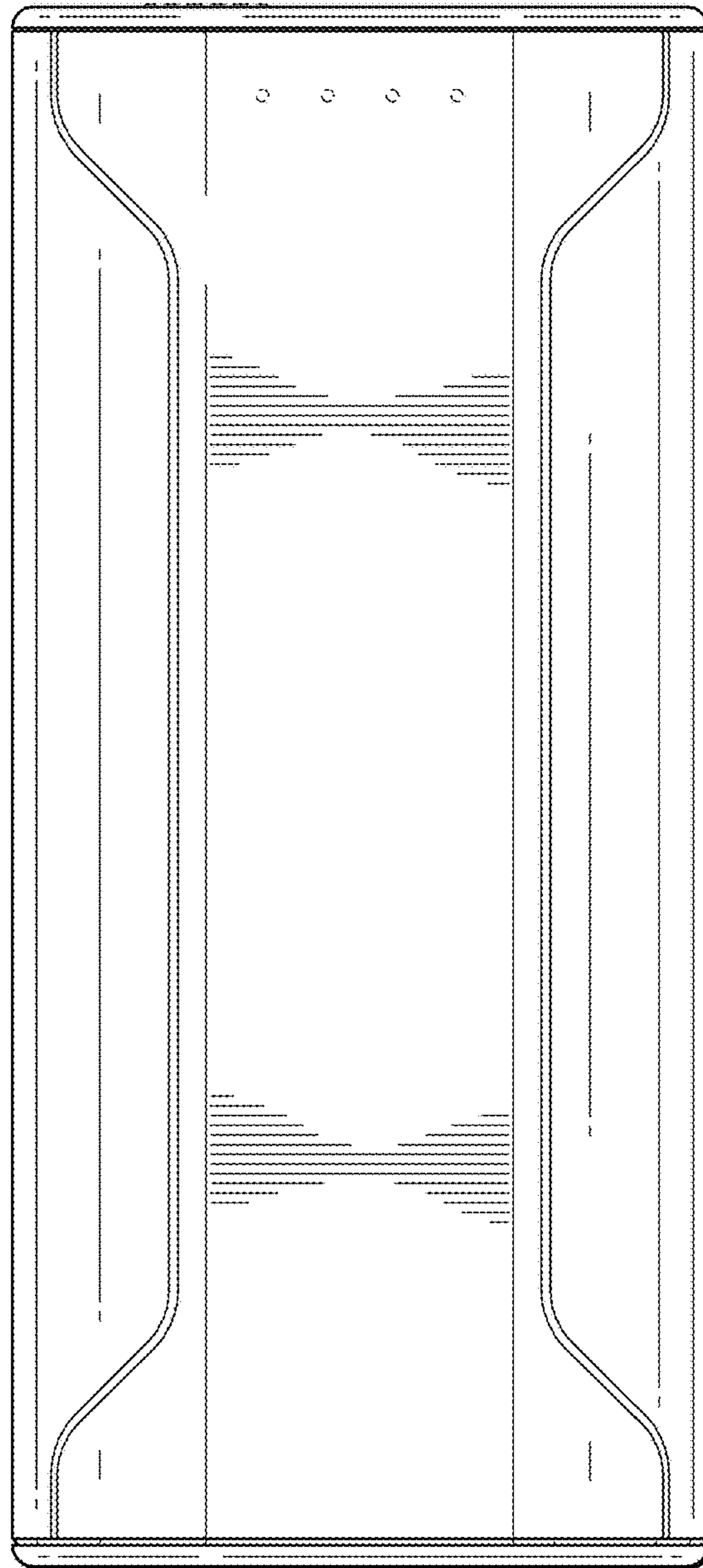


FIG. 2

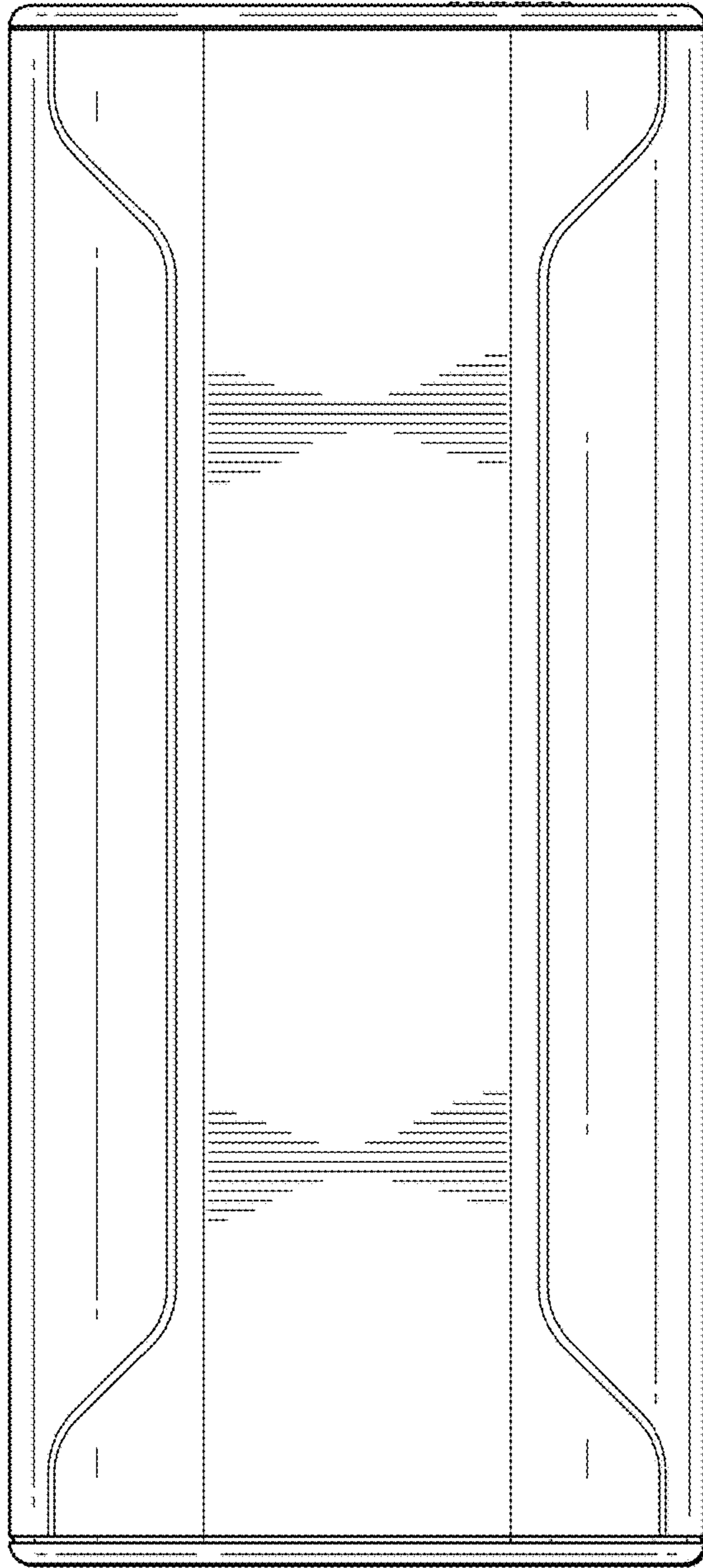


FIG. 3

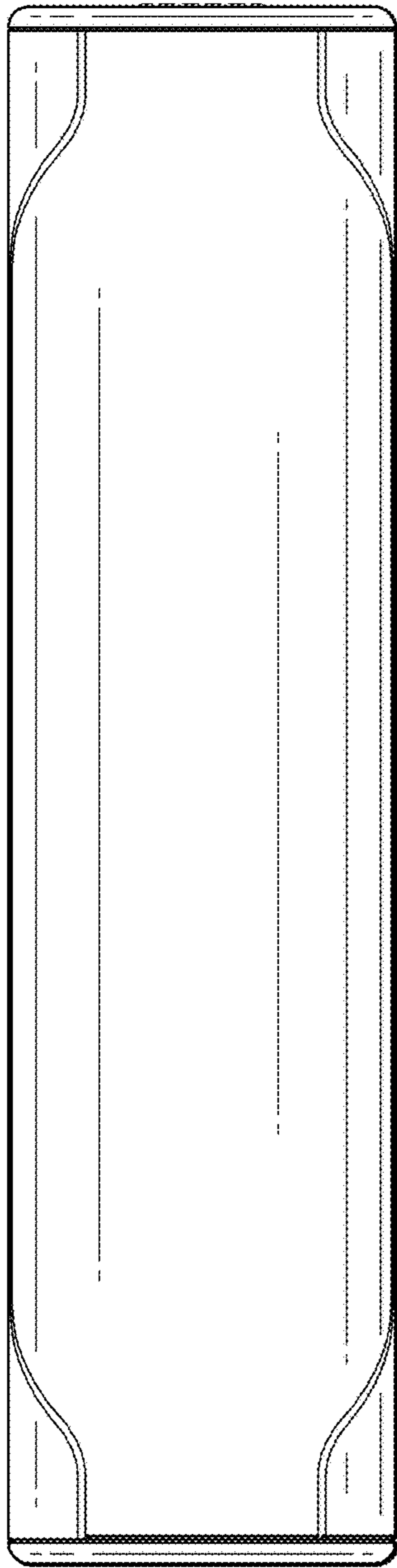


FIG. 4

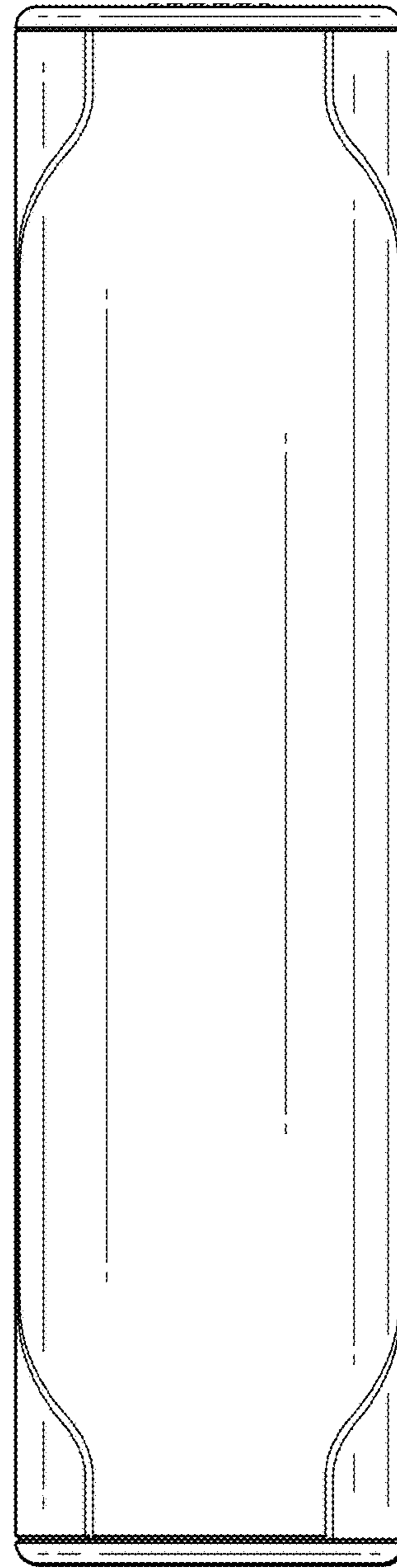


FIG. 5

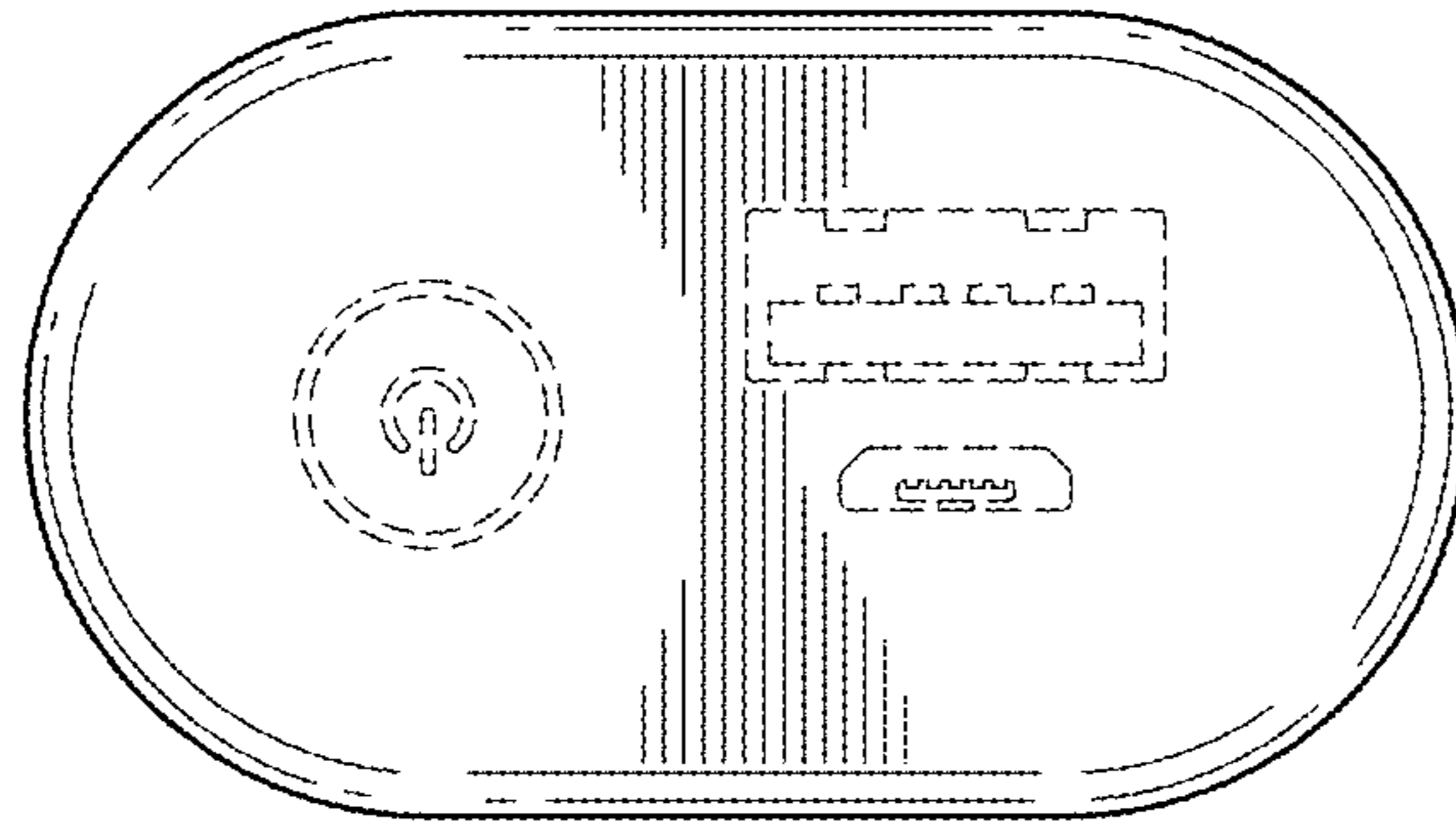


FIG. 6

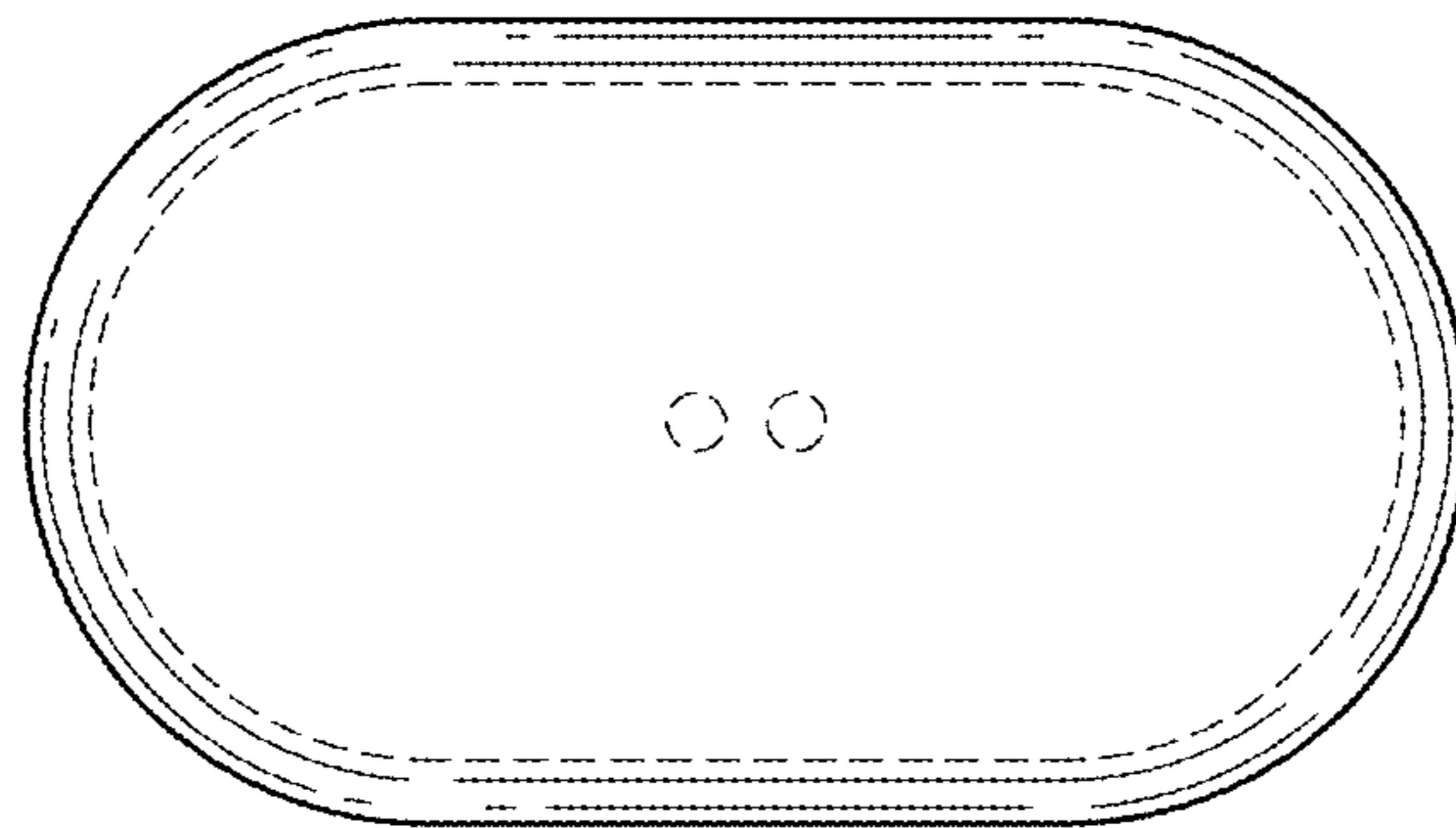


FIG. 7