



US00D839818S

(12) **United States Design Patent**
Gwen

(10) **Patent No.:** **US D839,818 S**

(45) **Date of Patent:** **** Feb. 5, 2019**

(54) **PROTECTIVE SUN SHADE FOR SIDE WINDOWS OF A VEHICLE**

(71) Applicant: **Patrick Gwen**, Houston, TX (US)

(72) Inventor: **Patrick Gwen**, Houston, TX (US)

(**) Term: **15 Years**

(21) Appl. No.: **29/616,115**

(22) Filed: **Sep. 1, 2017**

(51) **LOC (11) Cl.** **12-16**

(52) **U.S. Cl.**
USPC **D12/417**

(58) **Field of Classification Search**
USPC D12/400.401, 191, 182-183;
49/502-504; 296/84.1, 89, 96, 97.1, 97.7,
296/146.1, 187.1, 190.01; 160/DIG. 2,
160/DIG. 3, 370.21-370.22; 150/166,
150/168

See application file for complete search history.

(56) **References Cited**

U.S. PATENT DOCUMENTS

D291,430 S	8/1987	Vartanian	
D375,714 S *	11/1996	Laidley	D12/191
5,588,476 A	12/1996	Thretheway	
6,095,230 A	8/2000	Mitchell	
D658,569 S *	5/2012	Horton	D12/191
D665,721 S *	8/2012	Beachy	D12/401
D672,294 S *	12/2012	Thompson	D12/183

D735,628 S *	8/2015	Eskandry	D12/183
D740,189 S *	10/2015	Lopez-Ross	D12/191
D741,781 S *	10/2015	Chavez	D12/417
D762,539 S *	8/2016	Marcus	D12/191
D797,629 S *	9/2017	Abruzzio	D12/191

* cited by examiner

Primary Examiner — Abraham Bahta

(74) *Attorney, Agent, or Firm* — Craft Chu PLLC;
Andrew W. Chu

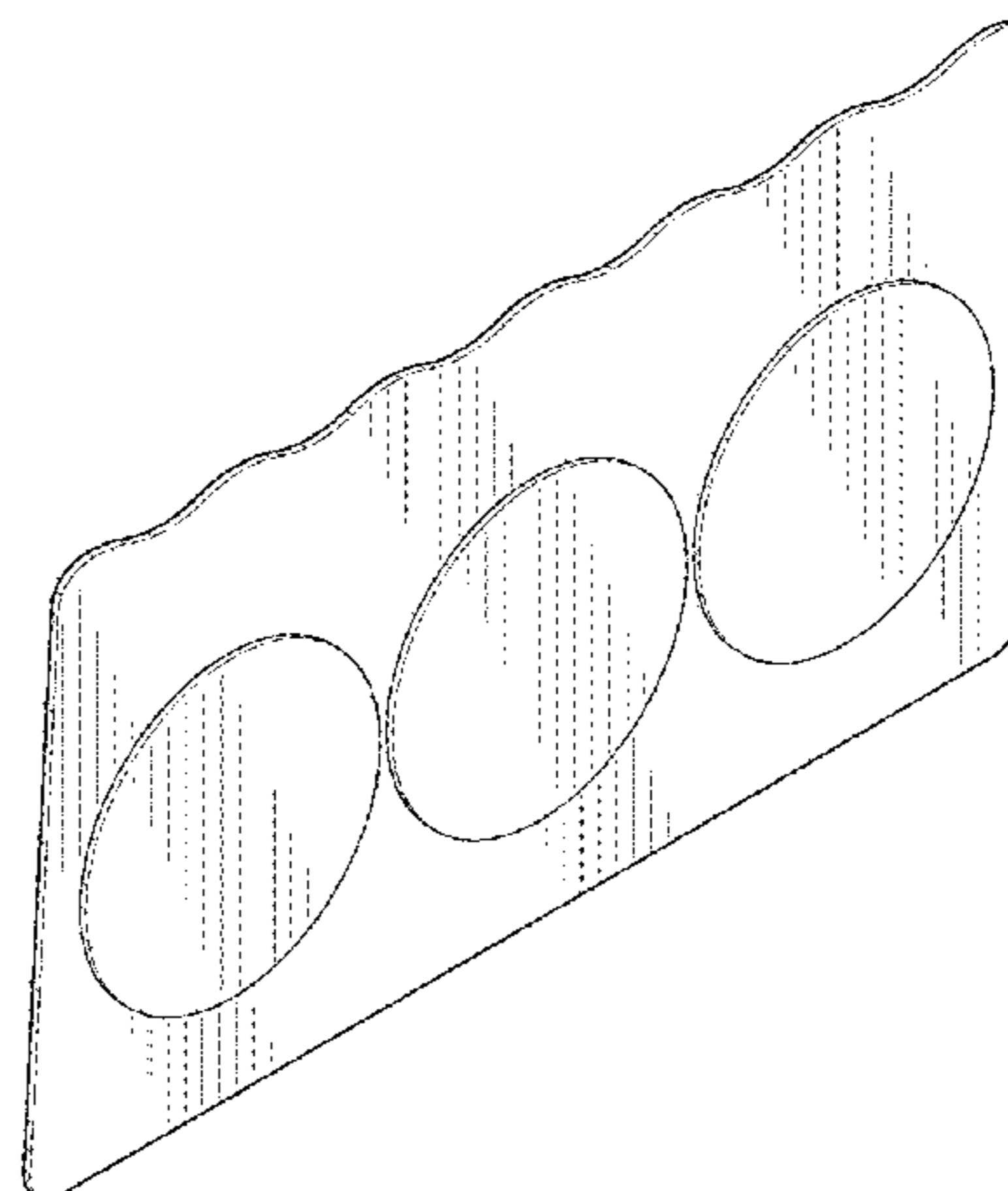
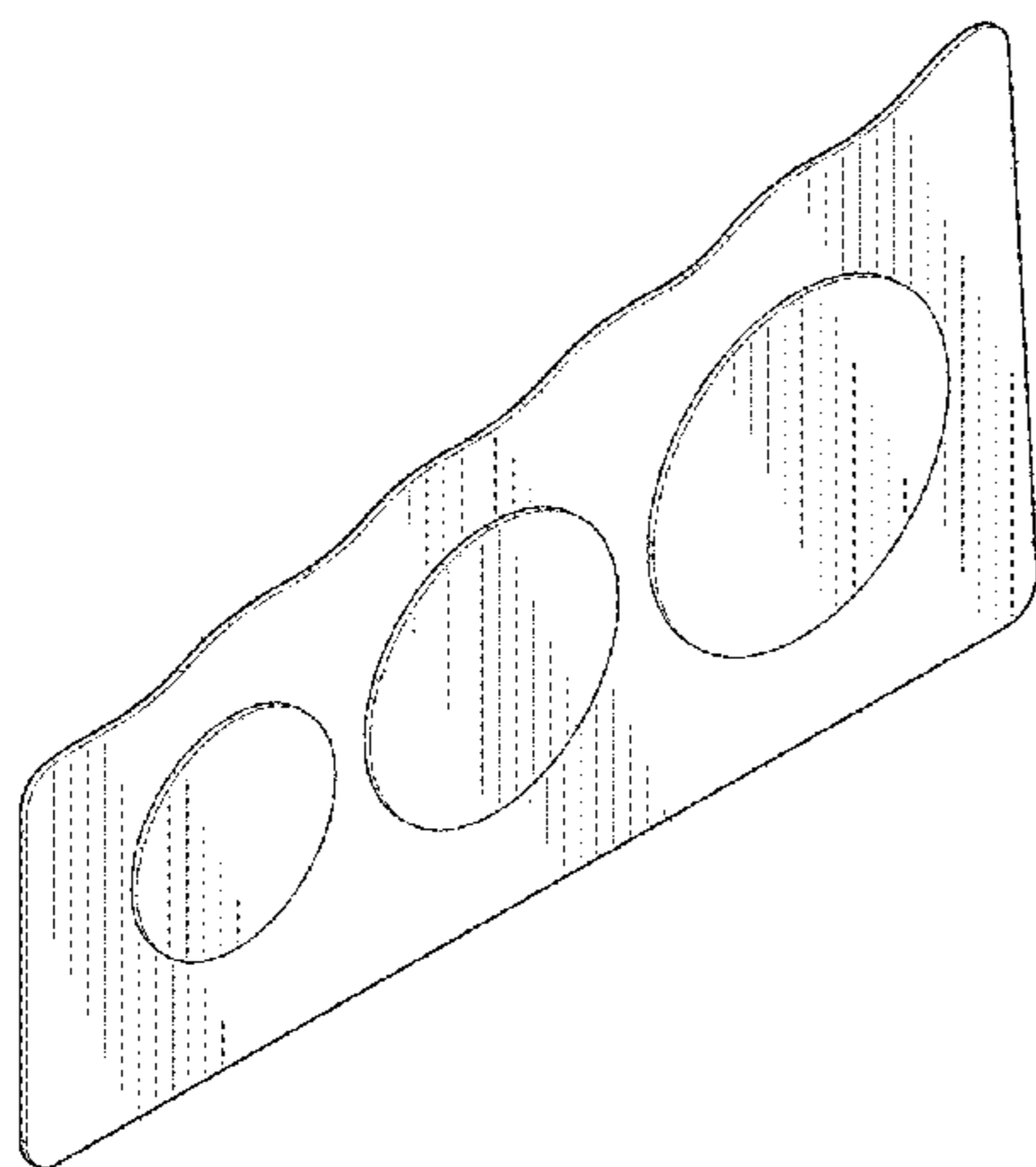
(57) **CLAIM**

The ornamental design for a protective sun shade for side windows of a vehicle, as shown and described.

DESCRIPTION

FIG. 1 is a top perspective view of the first amendment of the protective sun shade for side windows of a vehicle showing my new design;
 FIG. 2 is a front elevation view thereof;
 FIG. 3 is a rear elevation view thereof;
 FIG. 4 is a side view thereof;
 FIG. 5 is another side view thereof;
 FIG. 6 is a top view thereof;
 FIG. 7 is a bottom view thereof;
 FIG. 8 is a top perspective view of the second embodiment of the sun shade for side windows of a vehicle;
 FIG. 9 is a front elevation view thereof;
 FIG. 10 is a rear elevation view thereof;
 FIG. 11 is a side view thereof;
 FIG. 12 is another side view thereof;
 FIG. 13 is a top view thereof; and,
 FIG. 14 is a bottom view thereof.

1 Claim, 4 Drawing Sheets



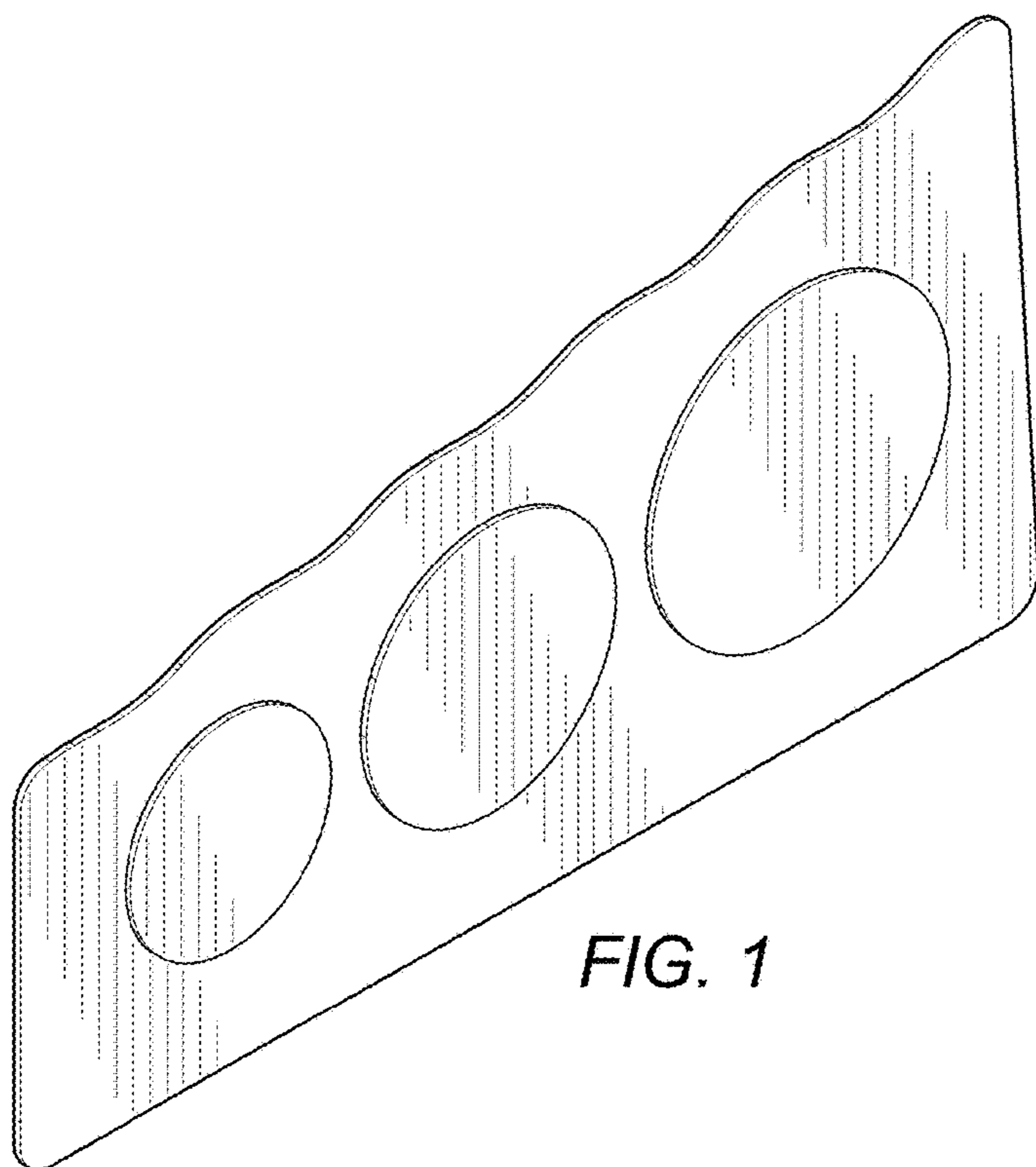


FIG. 1

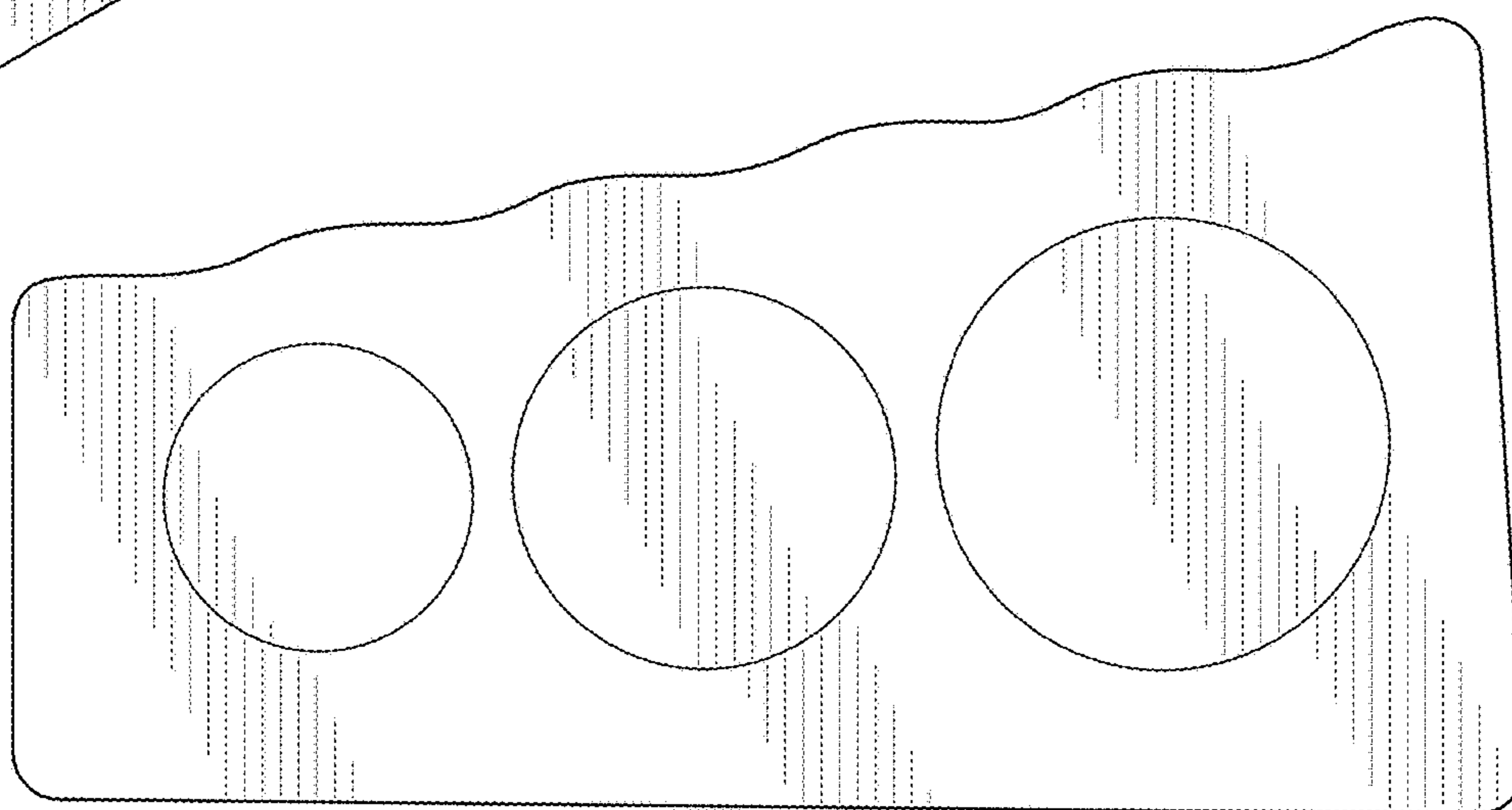


FIG. 2

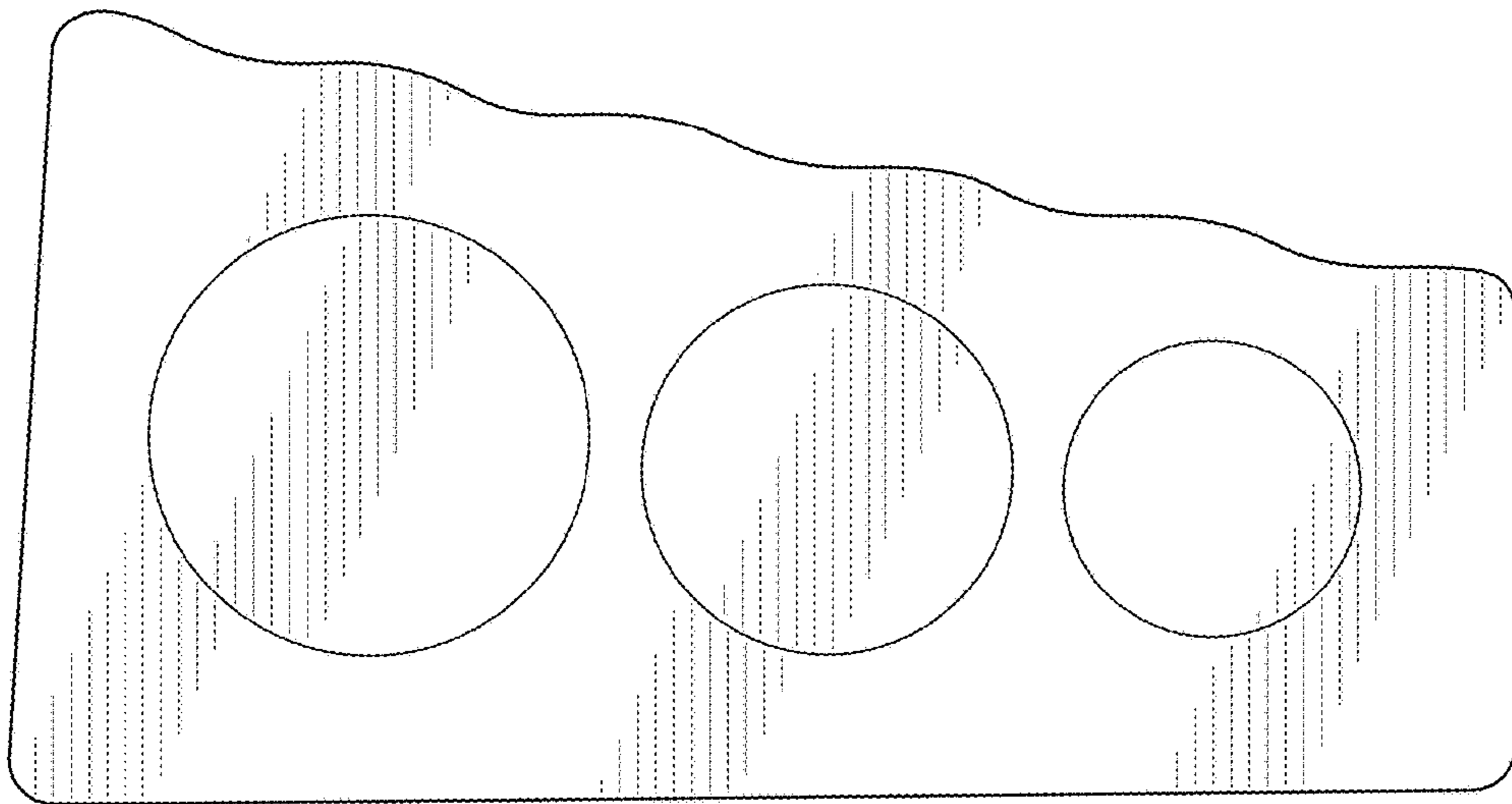


FIG. 3

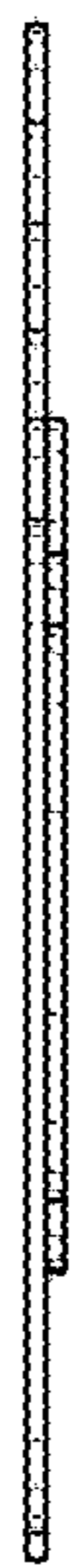


FIG. 4

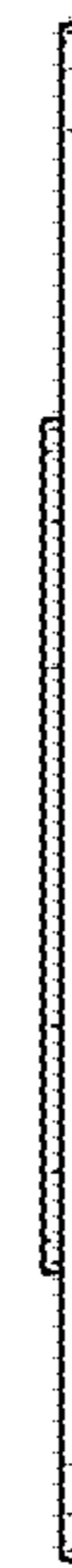


FIG. 5

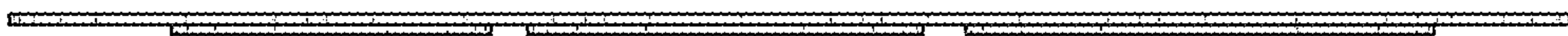


FIG. 6

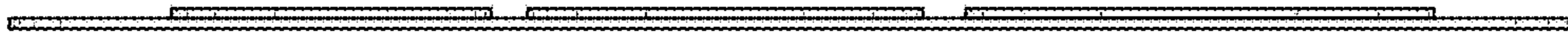


FIG. 7

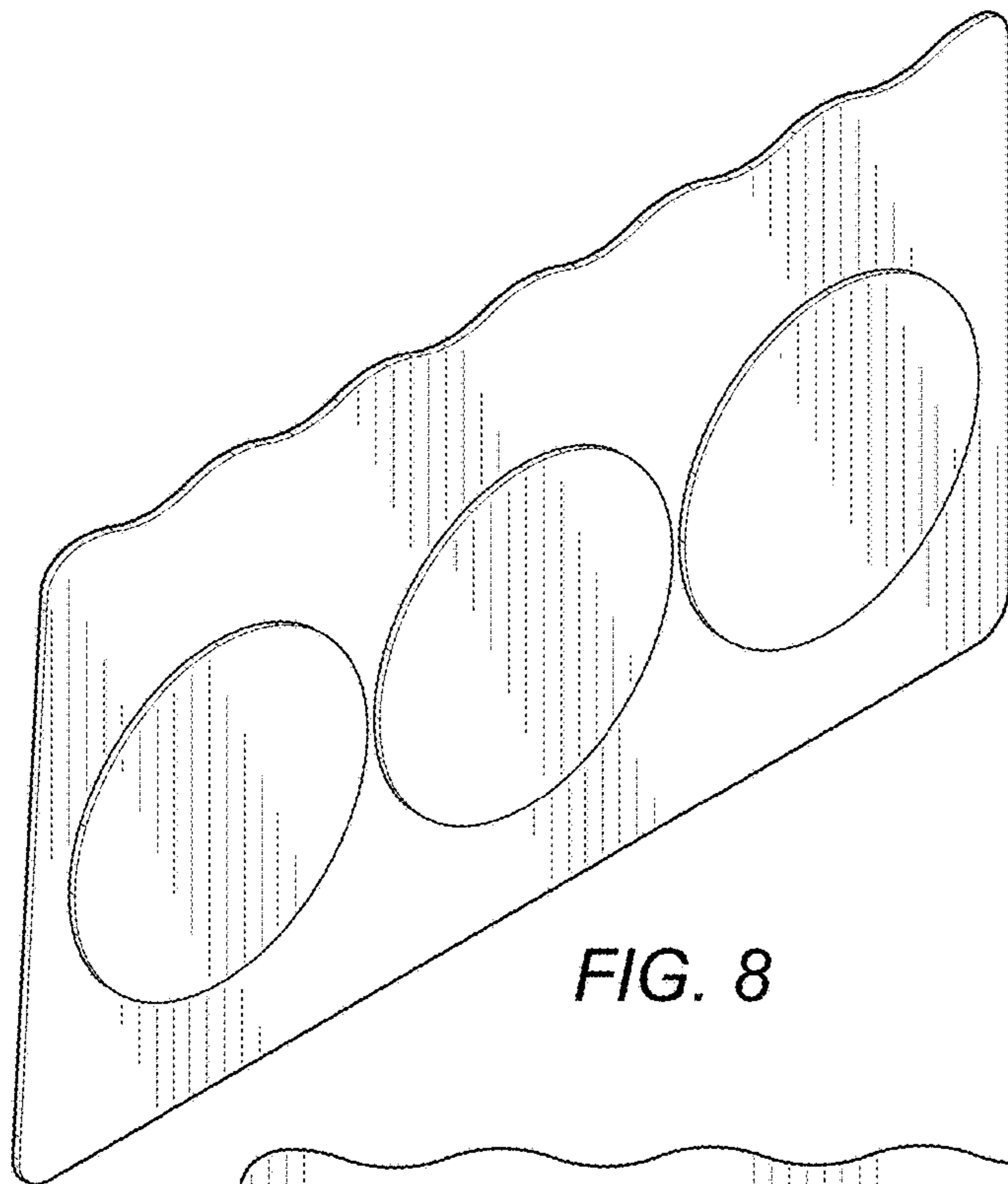


FIG. 8

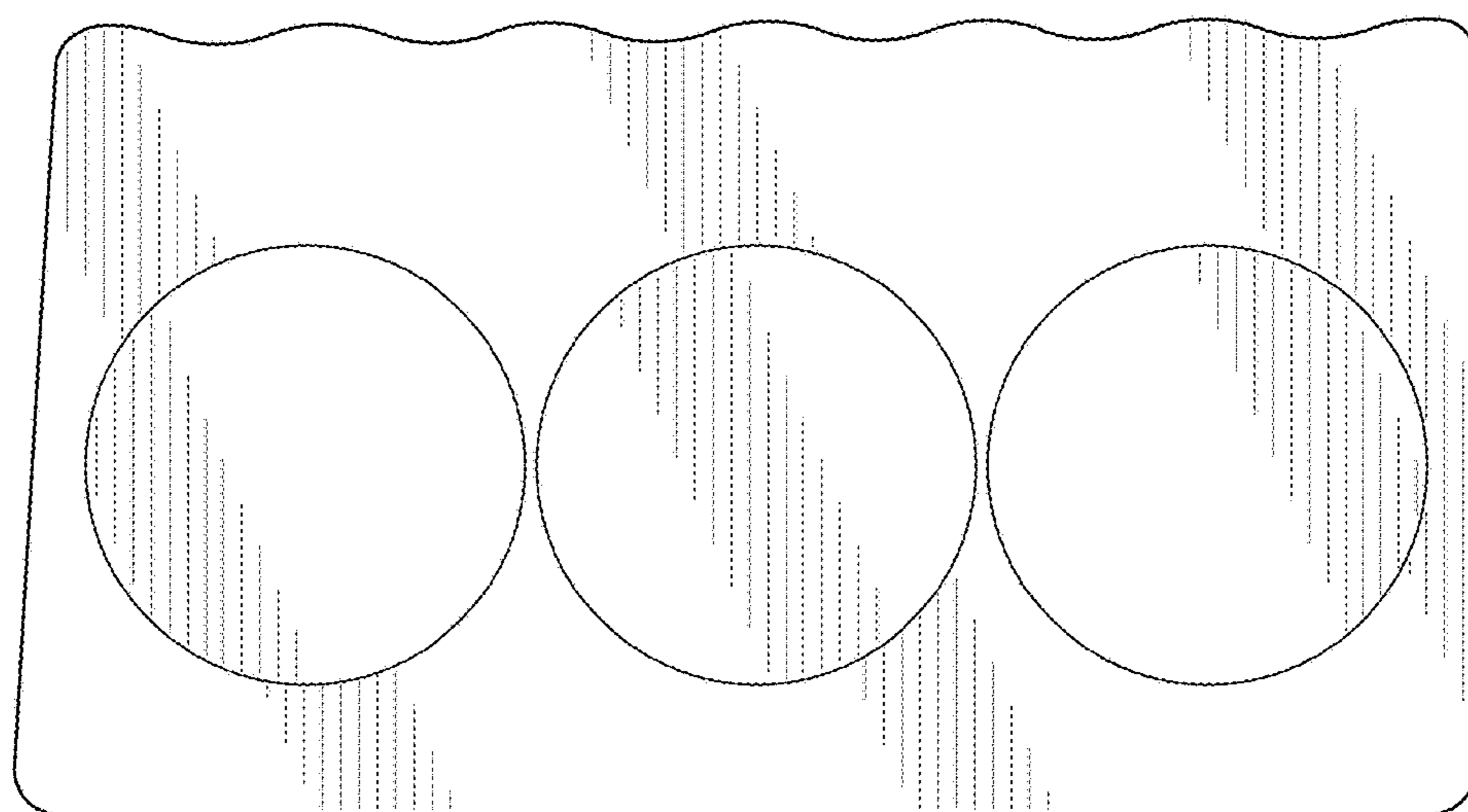


FIG. 9

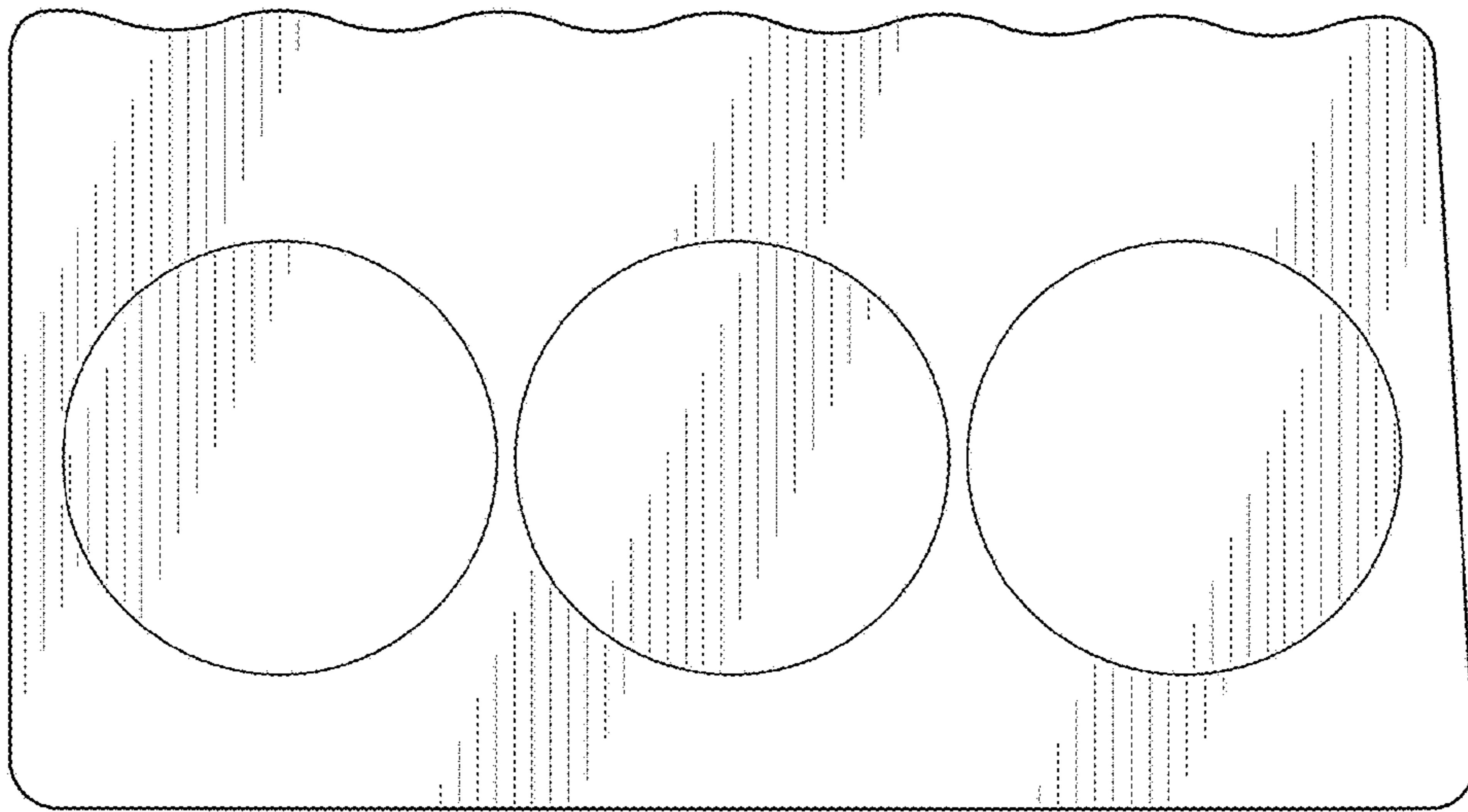


FIG. 10



FIG. 11



FIG. 12

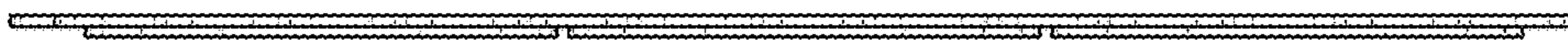


FIG. 13

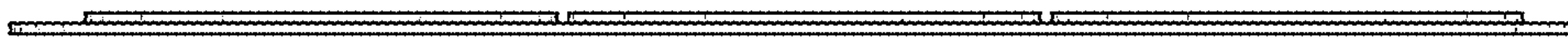


FIG. 14