



US00D839803S

(12) **United States Design Patent**
Kanbargi

(10) **Patent No.:** **US D839,803 S**

(45) **Date of Patent:** **** Feb. 5, 2019**

(54) **HYDRAULIC STEERING VALVE**
(71) Applicant: **Danfoss Power Solutions ApS,**
Nordborg (DK)
(72) Inventor: **Ravi Kanbargi,** Pune (IN)
(73) Assignee: **Danfoss Power Solutions ApS,**
Nordborg (DK)

(**) Term: **15 Years**
(21) Appl. No.: **29/555,810**
(22) Filed: **Feb. 25, 2016**

(30) **Foreign Application Priority Data**

Aug. 26, 2015 (EM) 002760983

(51) **LOC (11) Cl.** **12-16**
(52) **U.S. Cl.**
USPC **D12/177**

(58) **Field of Classification Search**
USPC D12/180, 174, 177; D15/5, 7, 28, 149,
D15/148; D23/233
CPC B62D 3/14; B60T 8/1831; B60T 11/32;
B60T 8/176; B60T 2270/10; B60T
2270/12; B60T 8/1766; B60T 8/1769
See application file for complete search history.

(56) **References Cited**

U.S. PATENT DOCUMENTS

D416,922 S * 11/1999 Lannoch D15/148
D417,229 S * 11/1999 Lannoch D15/148
D586,272 S * 2/2009 Schulz D12/180
D599,263 S * 9/2009 Nagase D12/177
D601,933 S * 10/2009 Schulz D12/180
D602,411 S * 10/2009 Nagase D12/177
D627,694 S * 11/2010 Schulz D12/180
8,246,330 B2 * 8/2012 Ay F04B 39/12
417/313

D681,782 S * 5/2013 Bohm D23/233
D753,186 S * 4/2016 Dopke D15/5
D778,323 S * 2/2017 Hashimoto D15/7
D780,227 S * 2/2017 Hines D15/7
9,764,278 B2 * 9/2017 Bergemann B01D 53/261
D807,922 S * 1/2018 Tipton D15/5

OTHER PUBLICATIONS

Danfoss OSPB 80 ON Orbitrol Hydraulic Steering Valve. ebay.com.
No date; 3 pages. Found online Mar. 20, 2018 at <https://www.ebay.com/itm/Danfoss-OSPB-80-ON-Orbitrol-Hydraulic-Steering-Valve-OSPB80ON-/382411502600?hash=item5909807408>.
150-0039 OSPB 50 ON Sauer Danfoss orbitrol 50 cc/rev centro abierto. 1 page. Dated Mar. 27, 2015. Found online Mar. 20, 2018 at [sin válvulashttp://hidraulicahidroil.es/productos/estandar/150-0039-ospb-5](http://hidraulicahidroil.es/productos/estandar/150-0039-ospb-5).*

* cited by examiner

Primary Examiner — Robert M. Spear
(74) *Attorney, Agent, or Firm* — McCormick, Paulding & Huber LLP

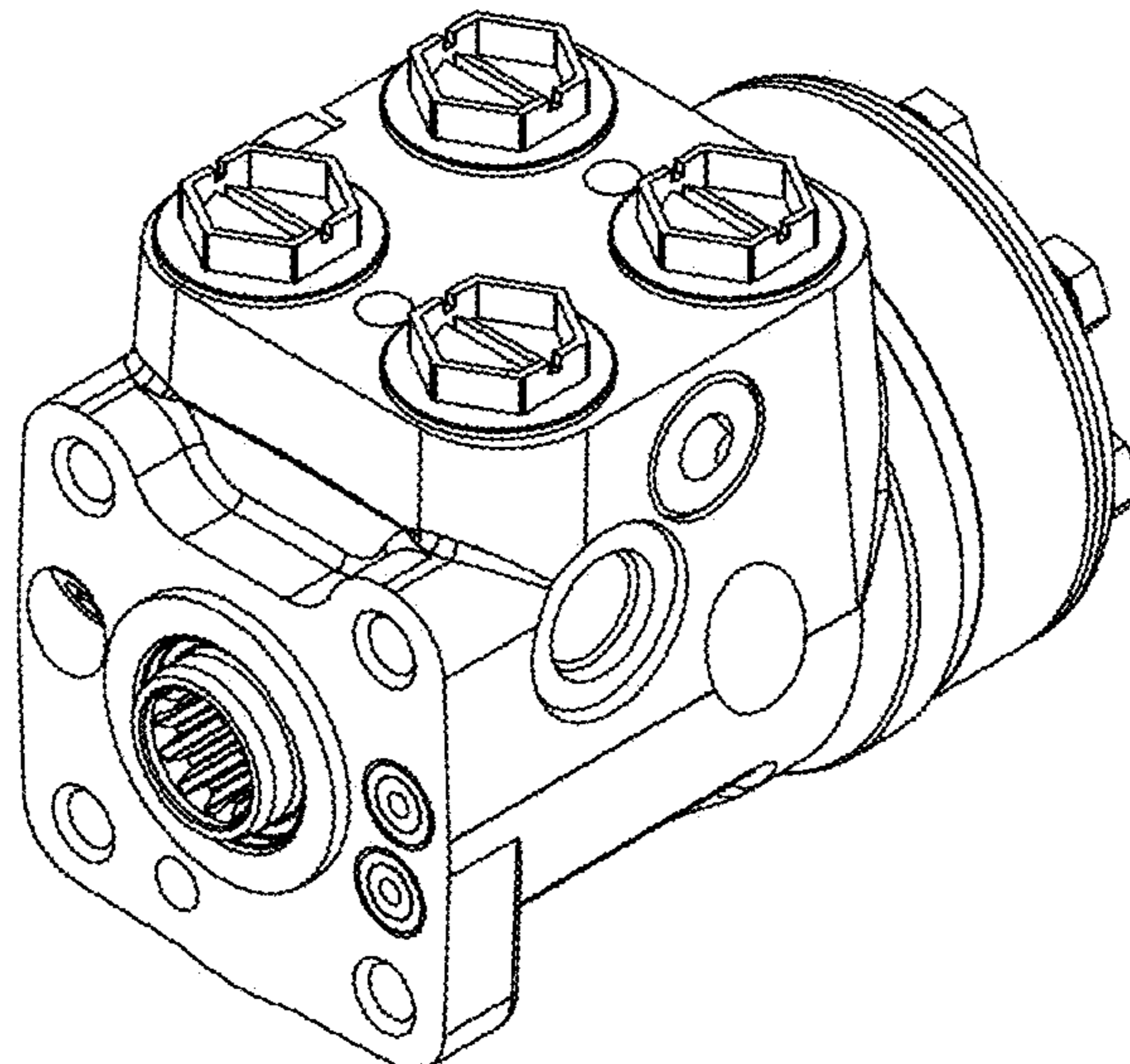
(57) **CLAIM**

The ornamental design for a hydraulic steering valve, substantially as shown.

DESCRIPTION

FIG. 1 is a front, top and right side perspective view of a hydraulic steering valve comprising a new, original and ornamental design;
FIG. 2 is a front view thereof;
FIG. 3 is a rear view thereof;
FIG. 4 is a right side view thereof;
FIG. 5 is a left side view thereof;
FIG. 6 is a top view thereof; and,
FIG. 7 is a bottom view thereof.

1 Claim, 7 Drawing Sheets



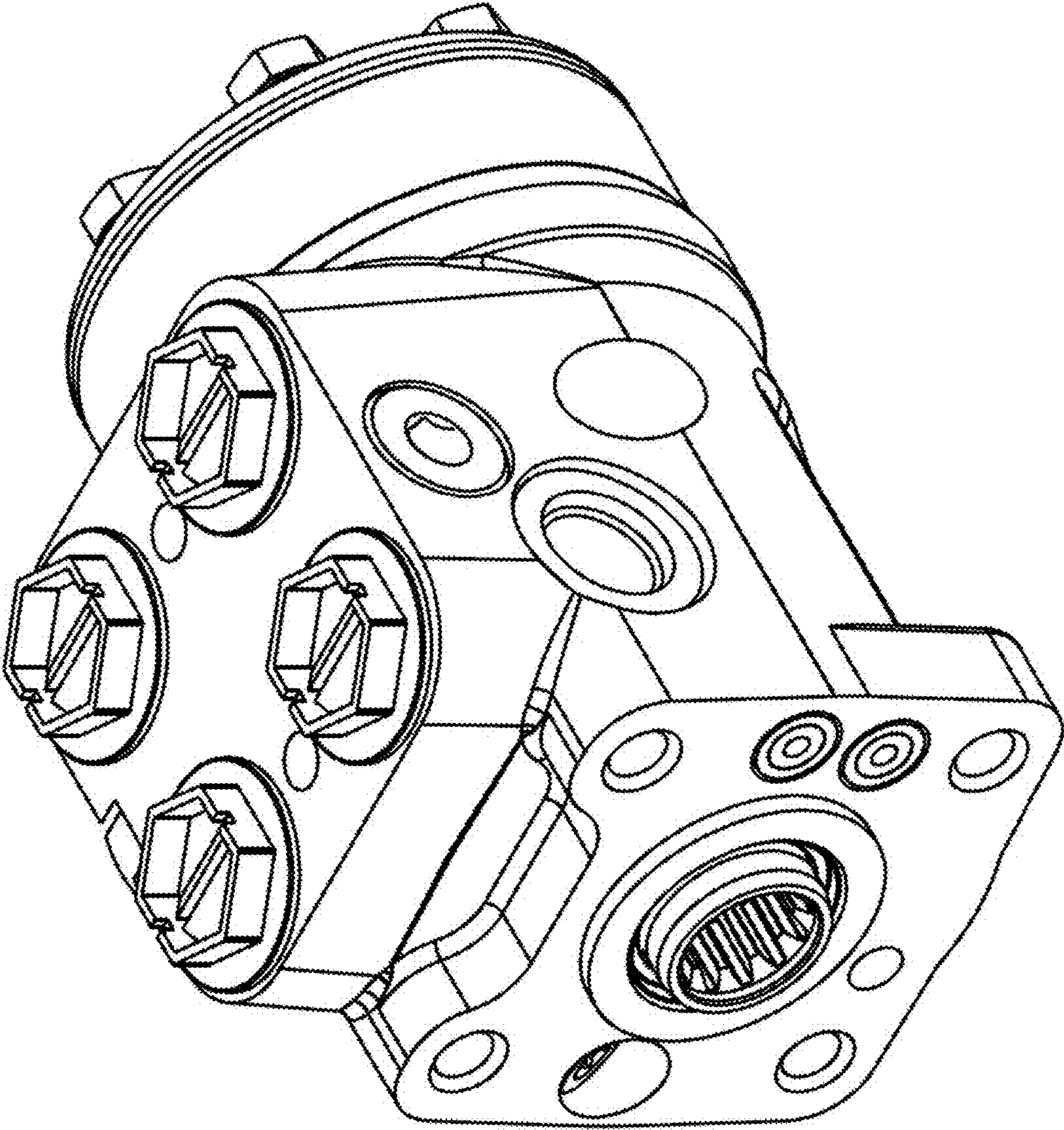


FIG. 1

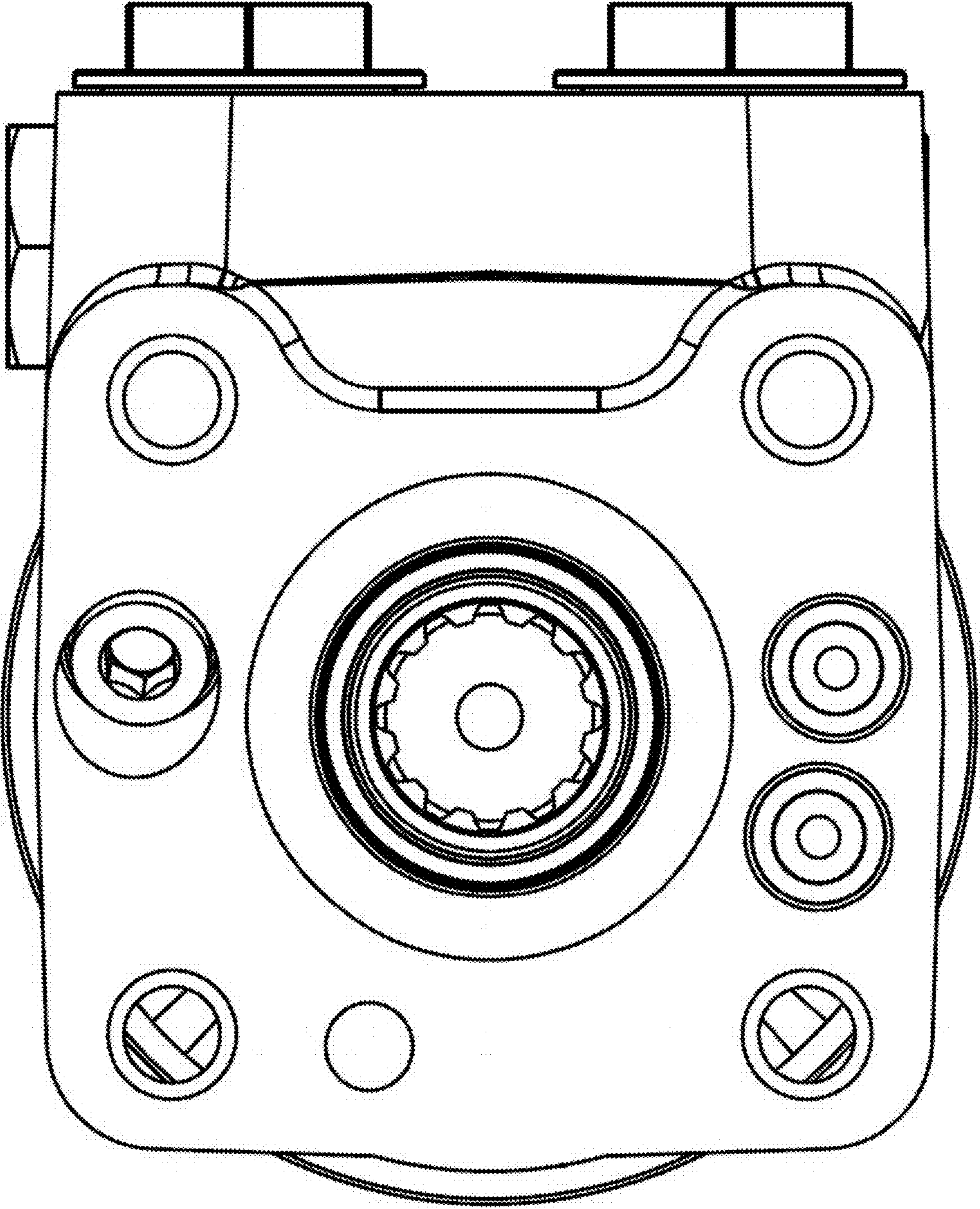


FIG. 2

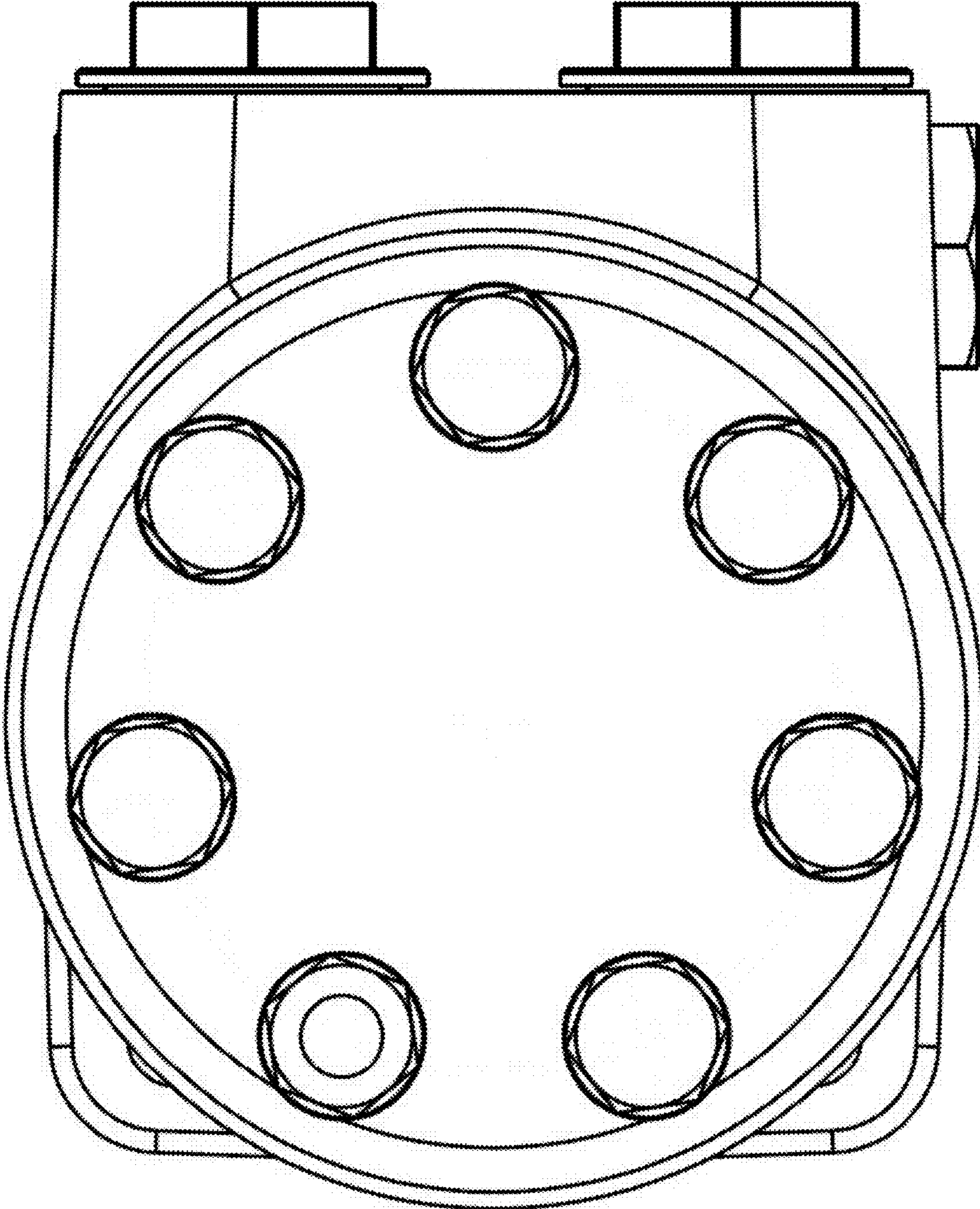


FIG. 3

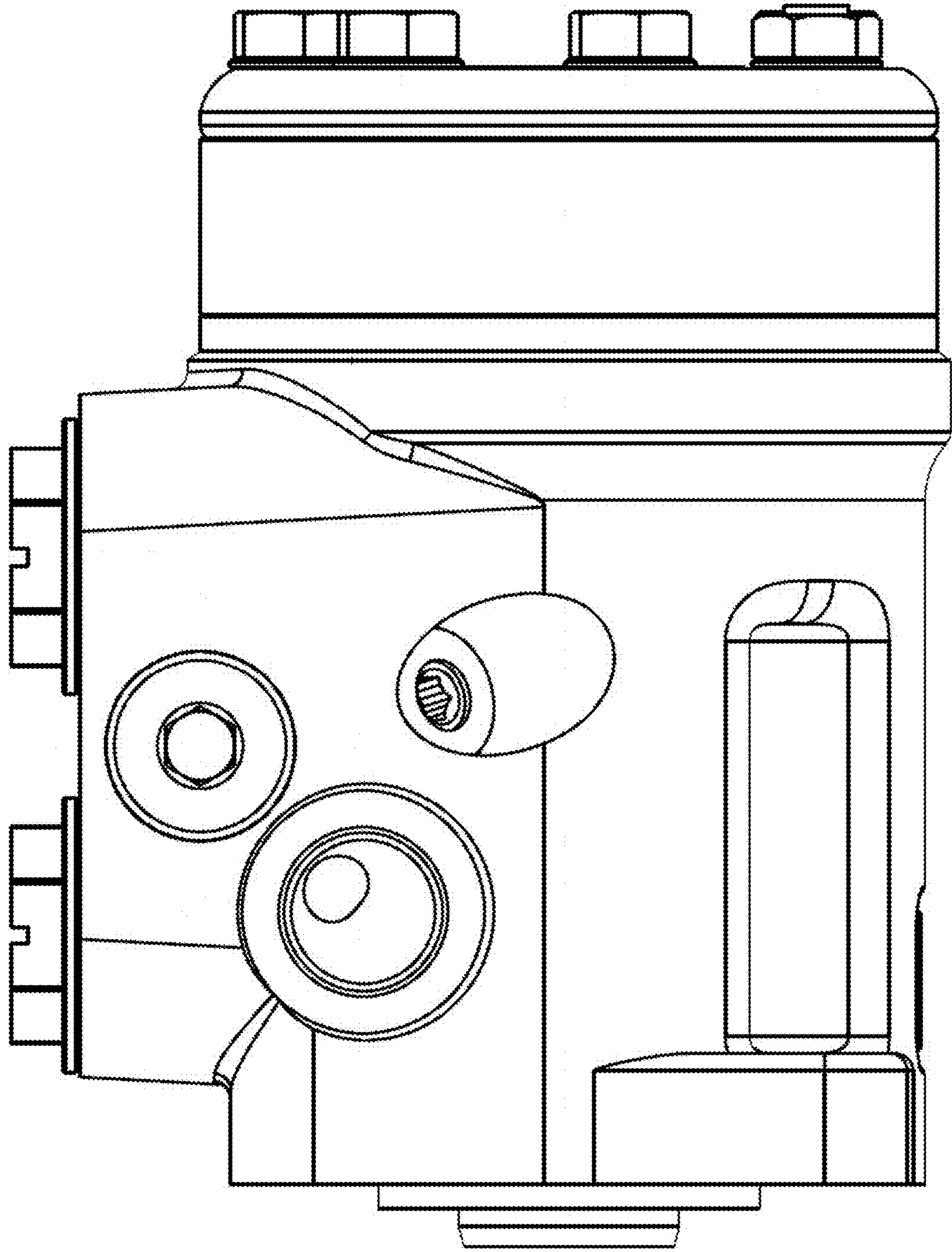


FIG. 4

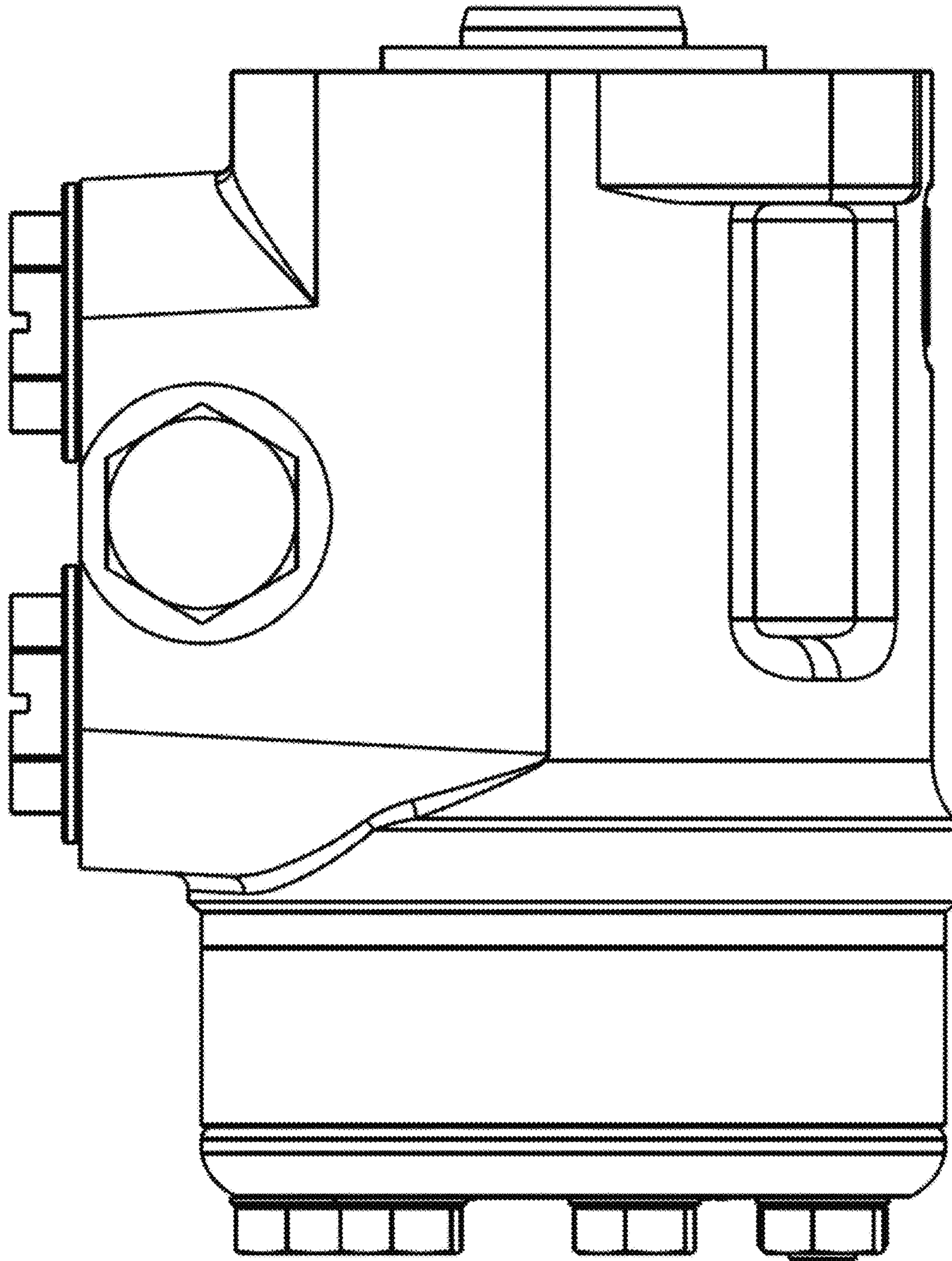


FIG. 5

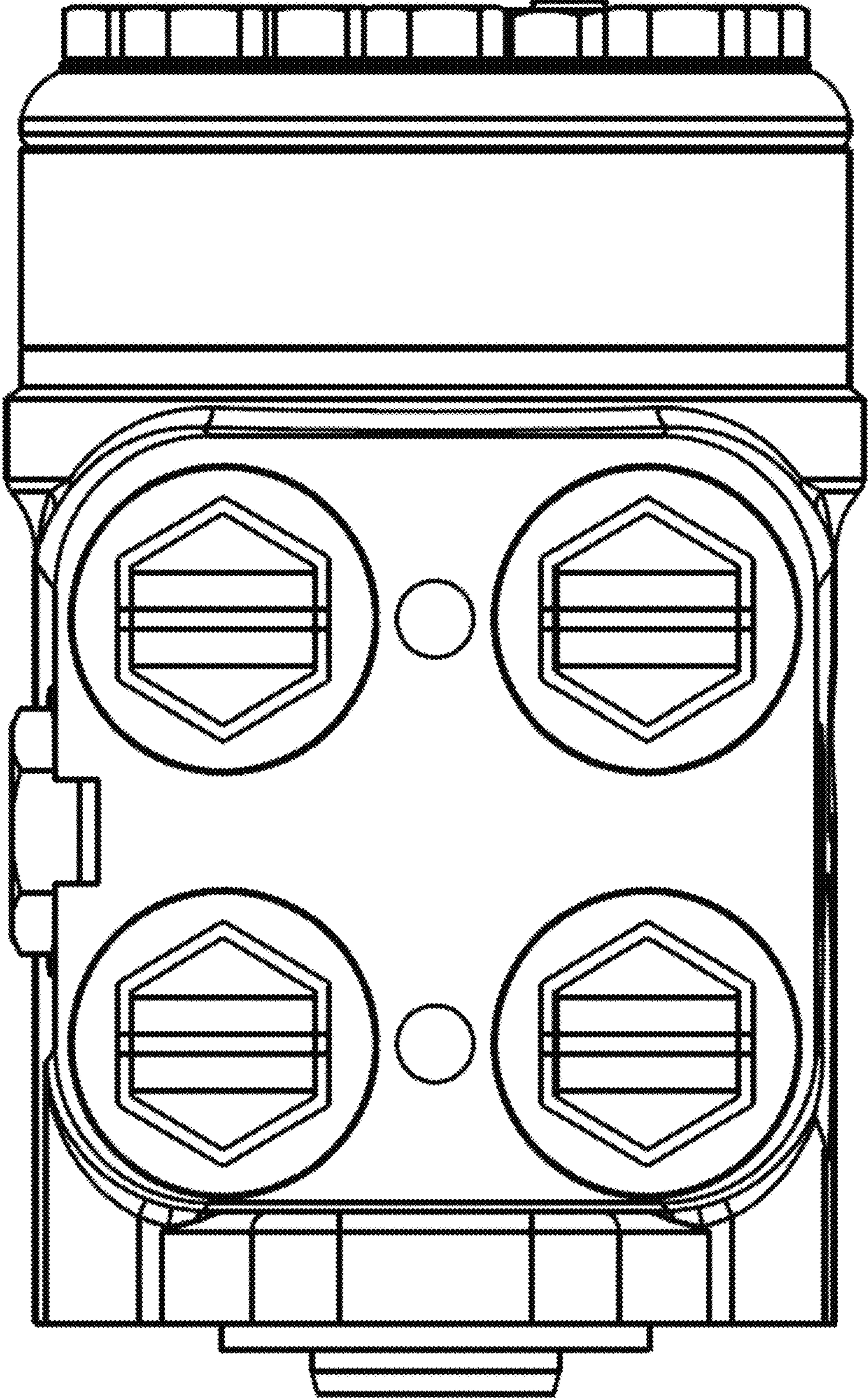


FIG. 6

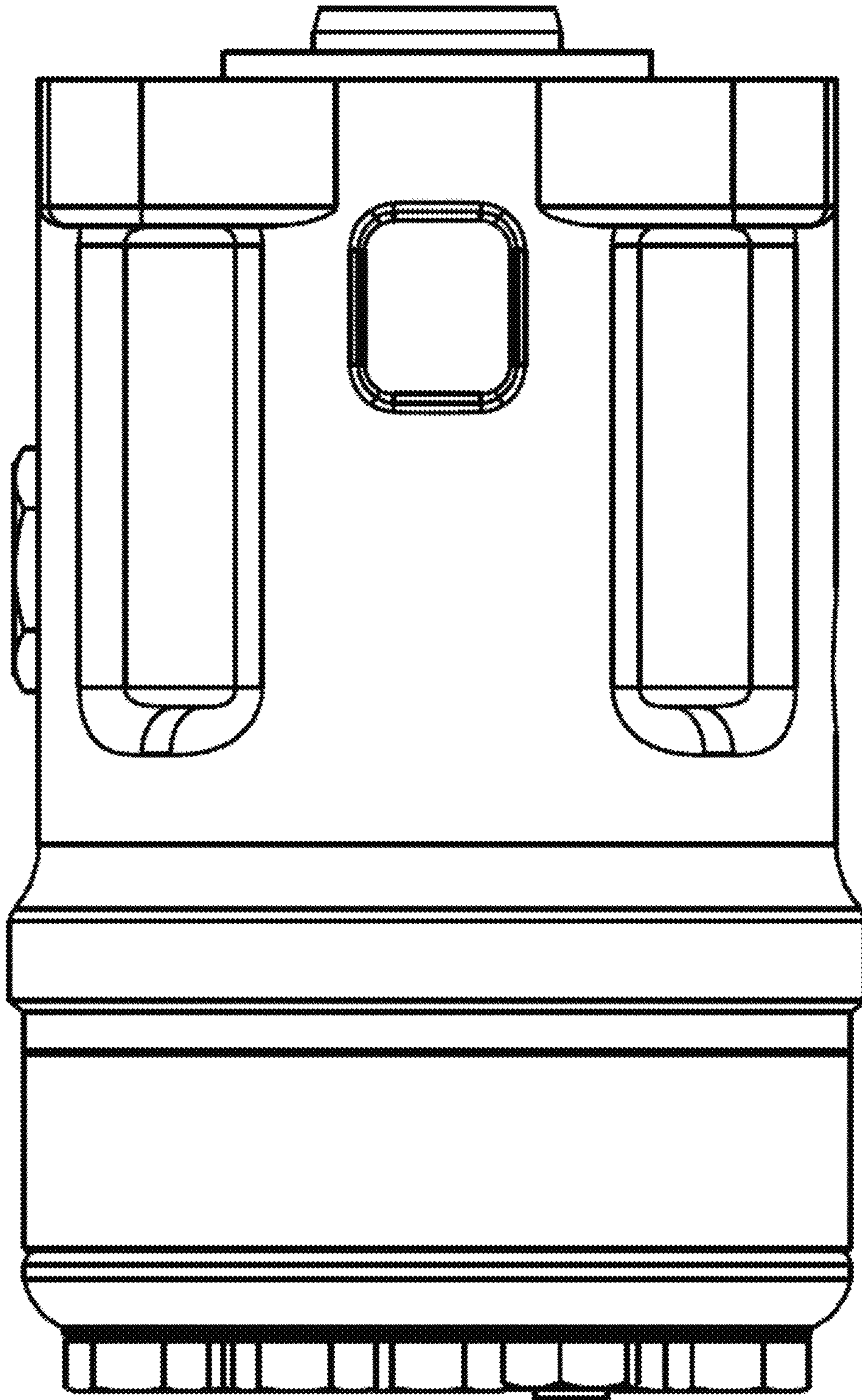


FIG. 7