



US00D839802S

(12) **United States Design Patent** (10) **Patent No.:** **US D839,802 S**
Hilton et al. (45) **Date of Patent:** **** Feb. 5, 2019**

(54) **VEHICLE STEERING WHEEL**

FOREIGN PATENT DOCUMENTS

(71) Applicant: **NIO NEXTEV LIMITED**, Hong Kong (HK)

CN 302594000 * 10/2013
EM 000891536-0004 * 4/2008
JP D1158846 * 11/2002

(72) Inventors: **David Hilton**, Hong Kong (HK);
Andrew Sheffield, Hong Kong (HK)

OTHER PUBLICATIONS

(**) Term: **15 Years**

https://www.youtube.com/watch?time_continue=192&v=z2lugOh2dg4 Posted Dec. 20, 2016 (Year: 2016).*

(21) Appl. No.: **29/591,713**

<https://www.youtube.com/watch?v=nPaUr4eIS5E> Posted Nov. 21, 2016 (Year: 2016).*

(22) Filed: **Jan. 23, 2017**

* cited by examiner

(30) **Foreign Application Priority Data**

Jul. 29, 2016 (EP) 003324532

Primary Examiner — Susan Bennett Hattan

Assistant Examiner — Leanne Was-Englehart

(51) **LOC (11) Cl.** **12-16**

(74) *Attorney, Agent, or Firm* — Hogan Lovells US LLP

(52) **U.S. Cl.**
USPC **D12/175**

(57) **CLAIM**

(58) **Field of Classification Search**
USPC D12/174, 175, 176, 177; D15/18
CPC . B60R 21/05; B60R 21/203; B60R 2011/001;
B62D 1/04; B62D 15/029
See application file for complete search history.

The ornamental design for a vehicle steering wheel, as shown and described.

DESCRIPTION

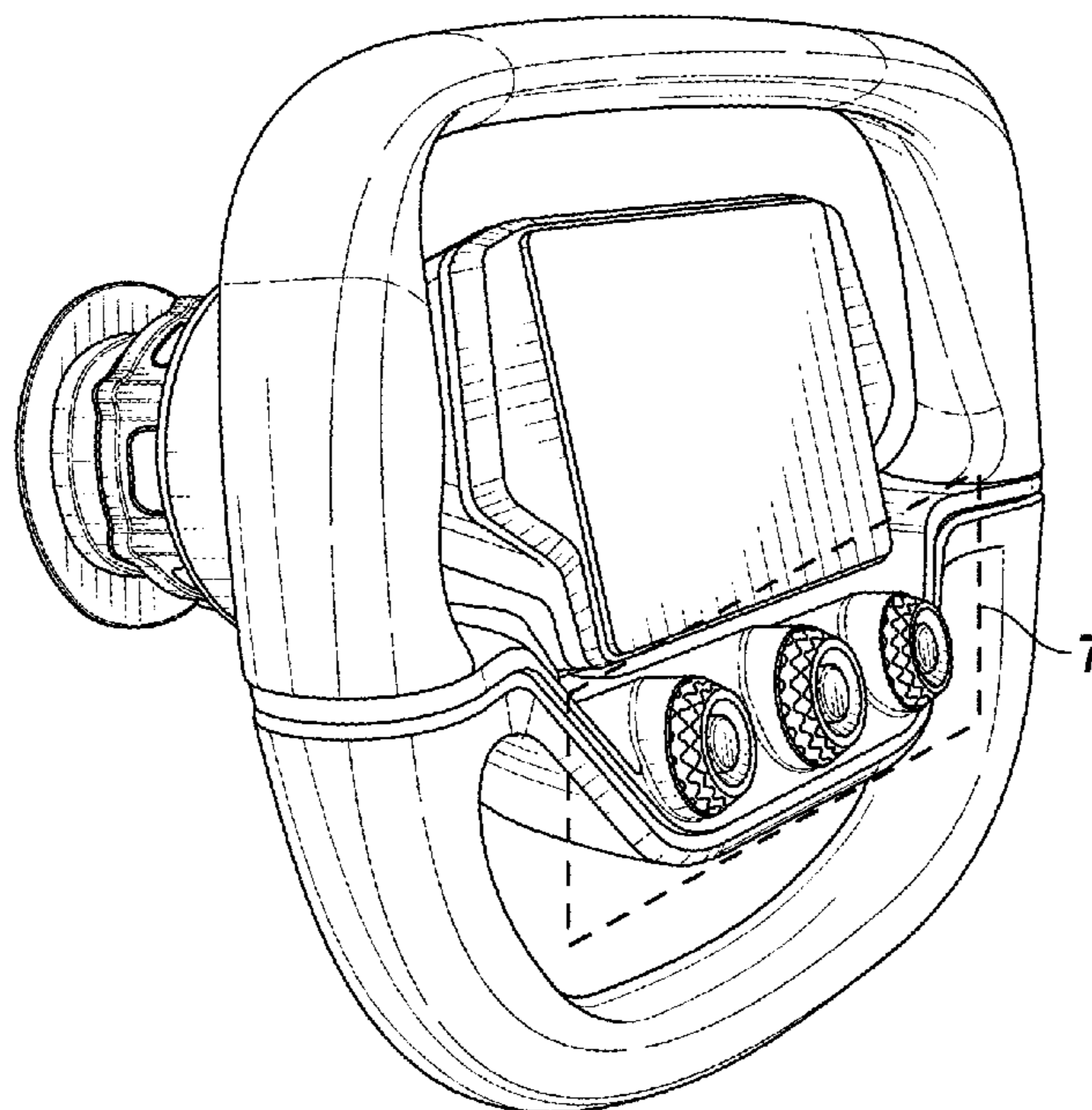
(56) **References Cited**

U.S. PATENT DOCUMENTS

D226,575 S * 3/1973 Fernandez et al. D12/175
D510,896 S * 10/2005 Hoelzel D12/175
D552,520 S * 10/2007 Maezono D12/176
D619,516 S * 7/2010 Niebuhr D12/176
D737,184 S * 8/2015 Oosuda D12/175
D778,793 S * 2/2017 Ding D12/176
D785,254 S * 4/2017 Dammkoehler D32/16
D786,154 S * 5/2017 Castaman D12/176
D787,994 S * 5/2017 Carbone D12/175
D792,299 S * 7/2017 Manzoni D12/176

FIG. 1 is a front view thereof;
FIG. 2 is a left side view thereof;
FIG. 3 is a top perspective view thereof;
FIG. 4 is a left perspective view thereof;
FIG. 5 is a right perspective view thereof;
FIG. 6 is a close up perspective view of a portion of the left side of the vehicle steering wheel taken from FIG. 1; and,
FIG. 7 is a close up perspective view of the knobs on the steering wheel taken from FIG. 4.
The broken lines depict the limits of the enlarged view and form no part of the claimed design.

1 Claim, 7 Drawing Sheets



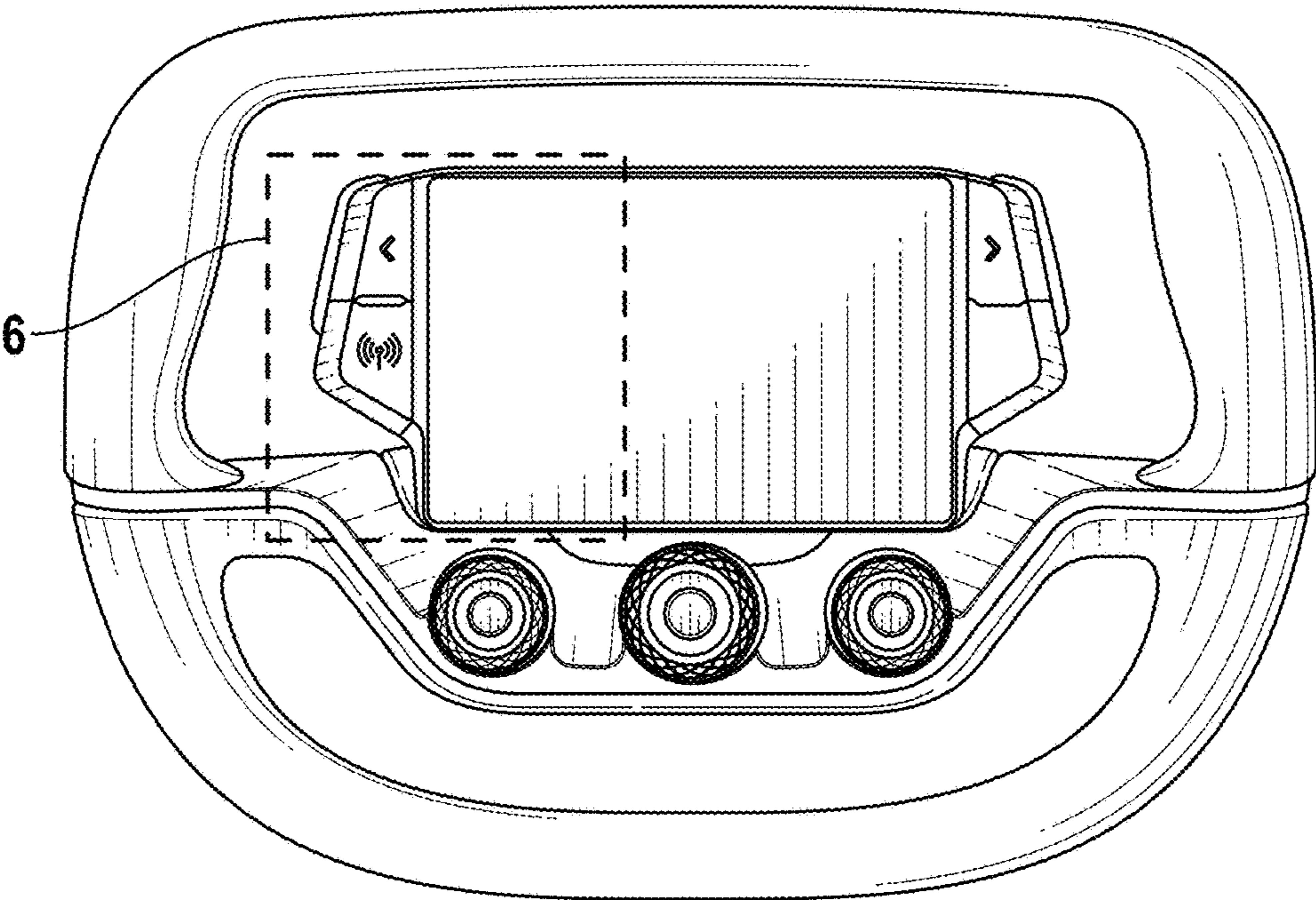


FIG. 1

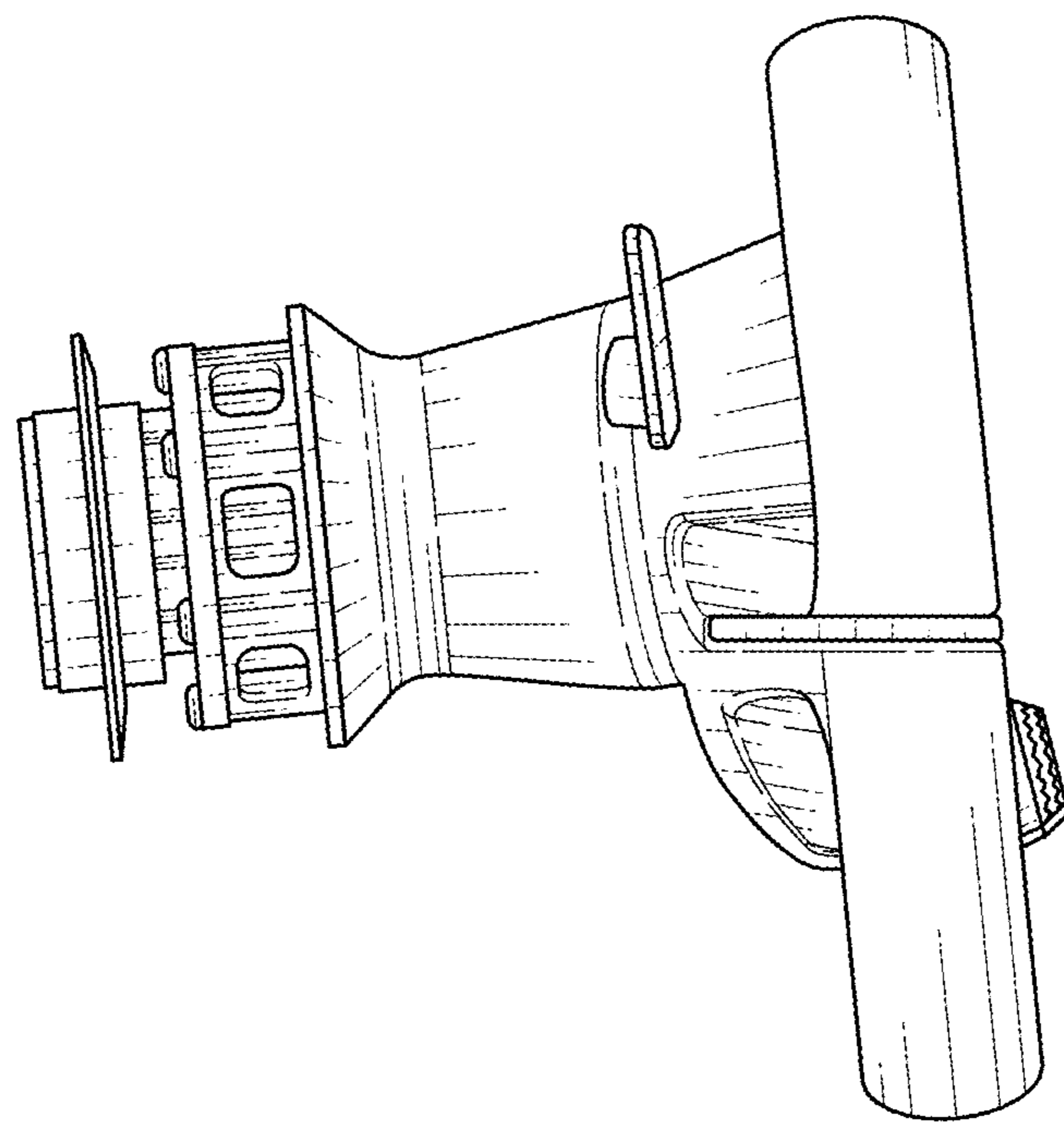


FIG. 2

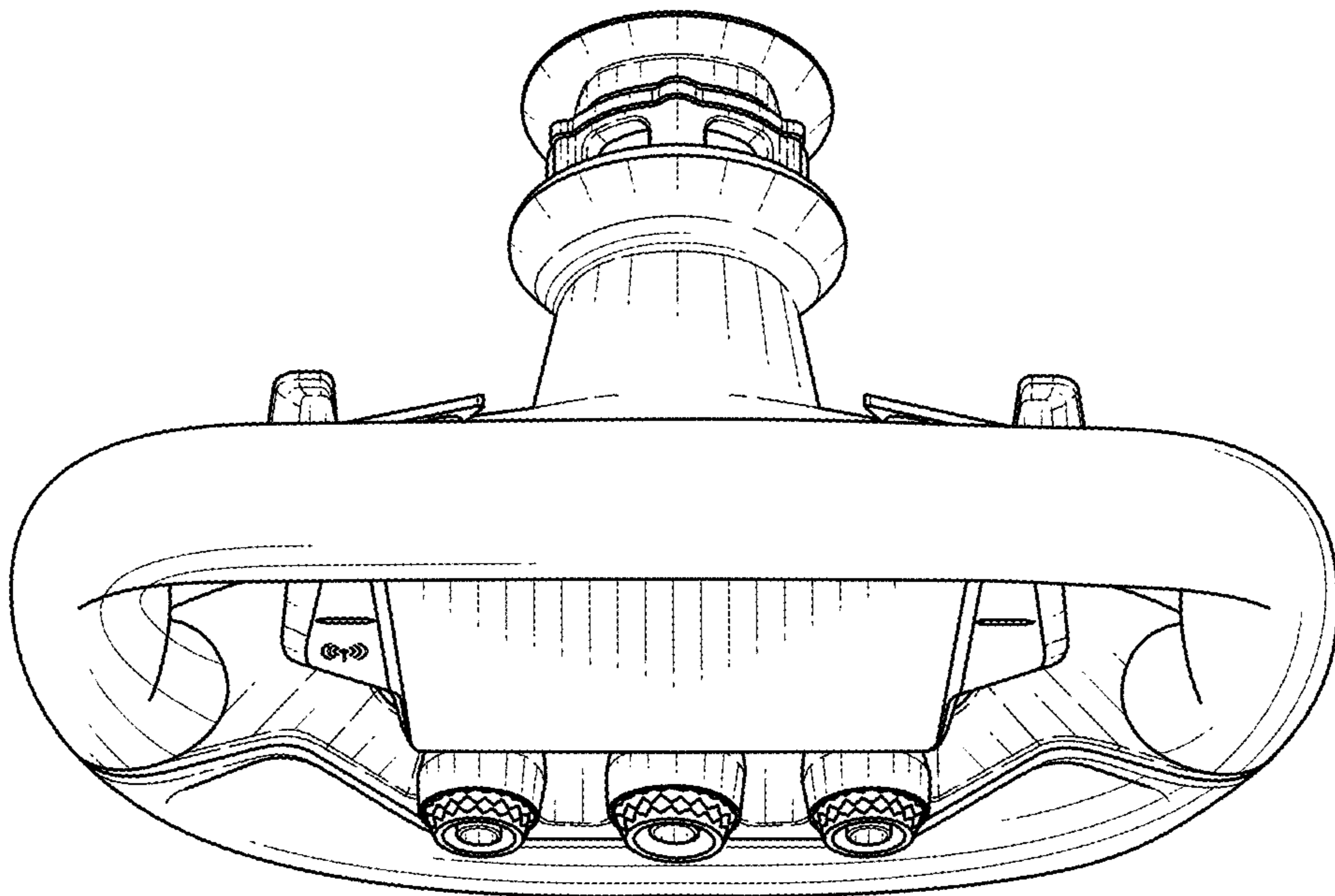


FIG. 3

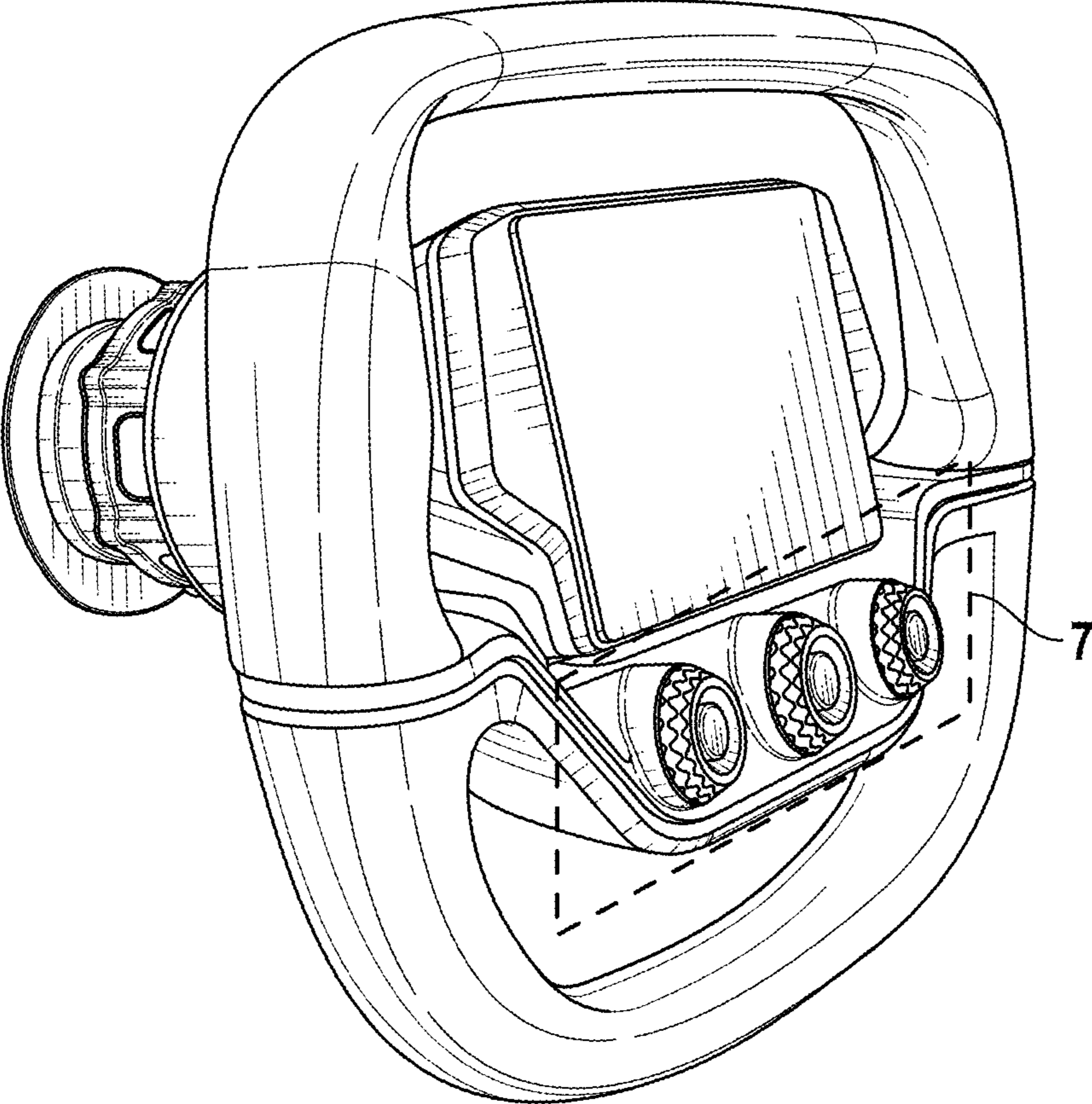


FIG. 4

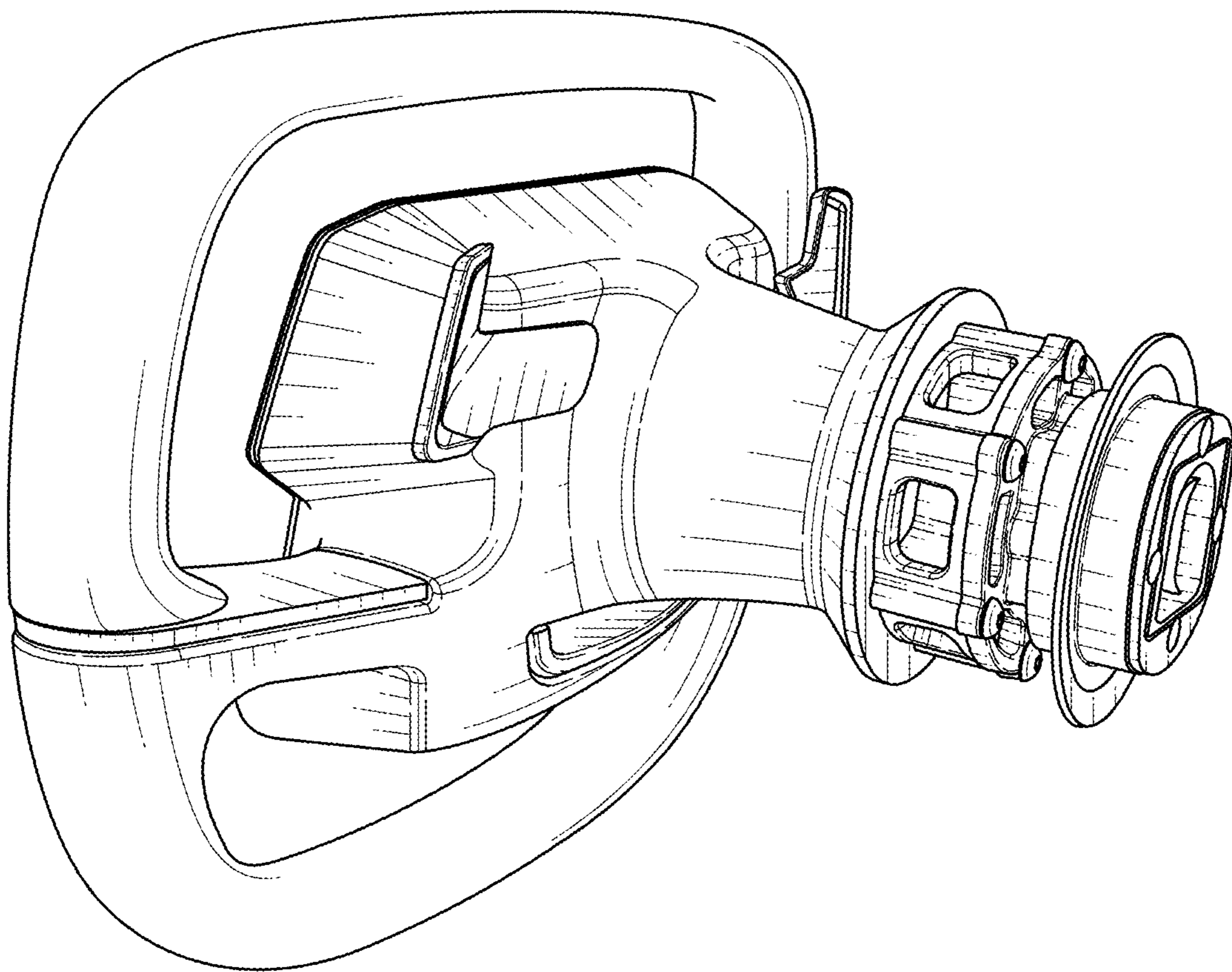


FIG. 5

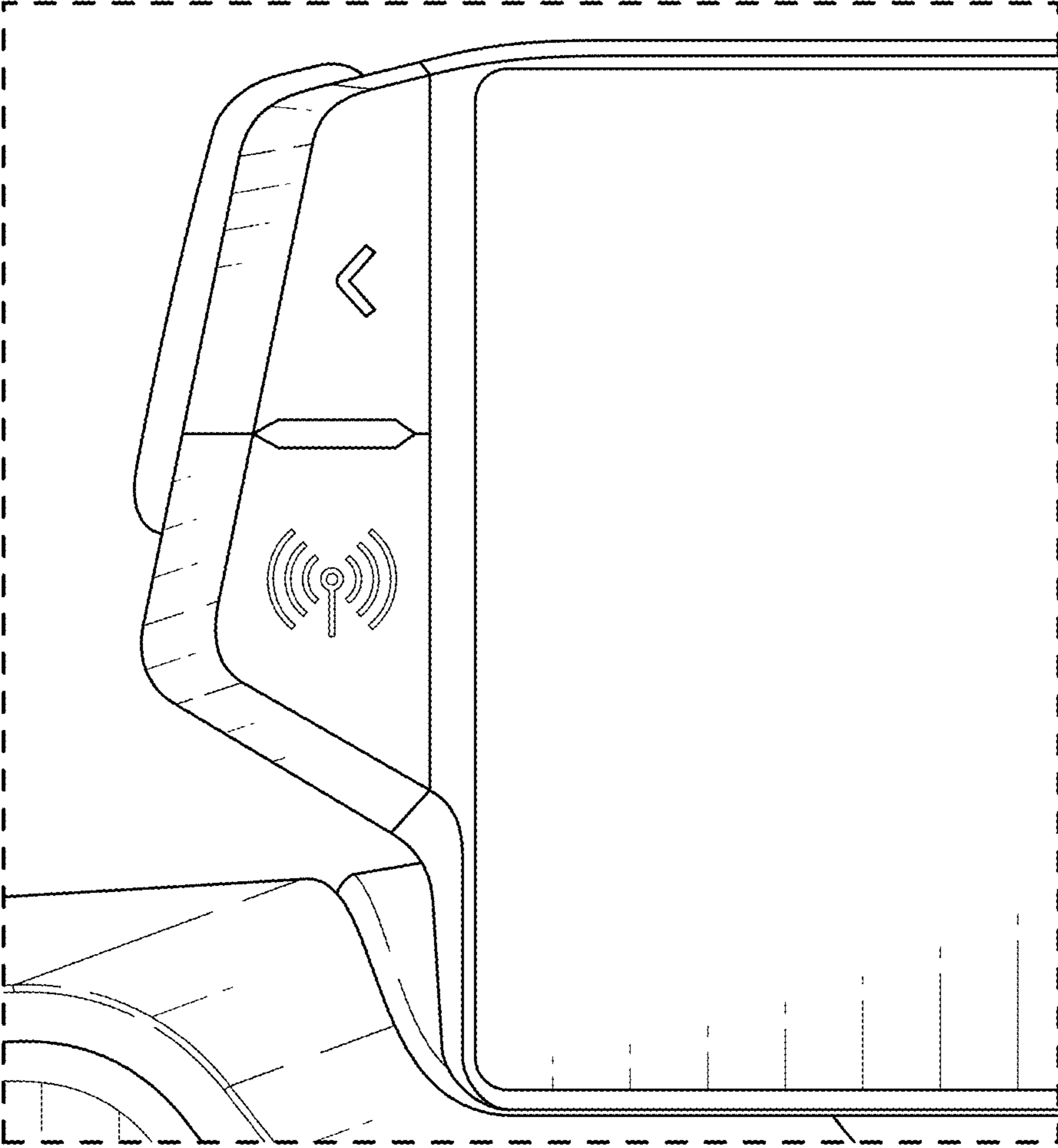


FIG. 6

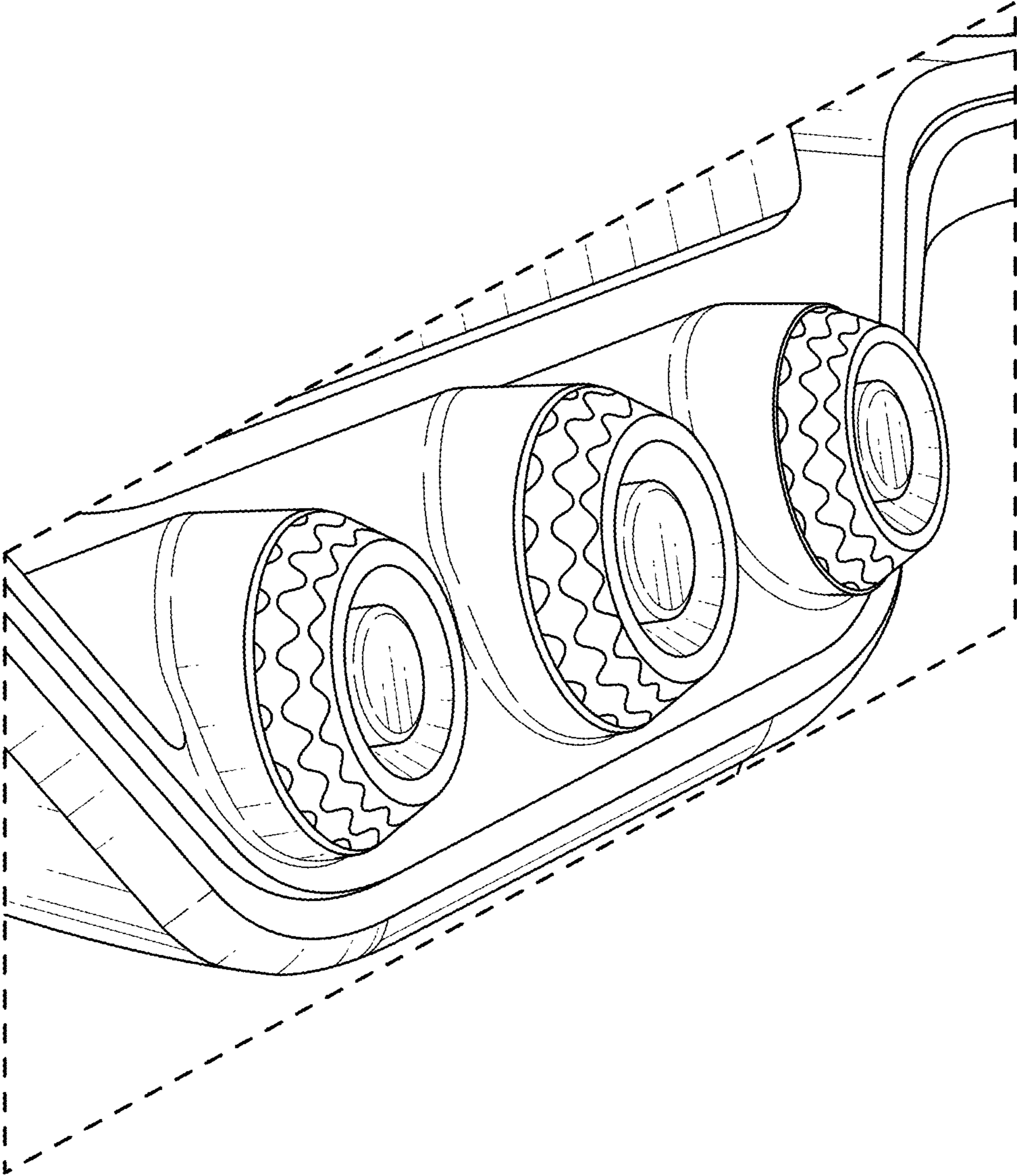


FIG. 7