



US00D839793S

(12) **United States Design Patent** (10) **Patent No.:** **US D839,793 S**
Lee (45) **Date of Patent:** **** Feb. 5, 2019**

(54) **PATIENT LIFT**
(71) Applicant: **HOME MEDICAL PRODUCTS INC., Taoyuan (TW)**
(72) Inventor: **Chih-Ching Lee, Taoyuan (TW)**
(73) Assignee: **Home Medical Products Inc., Taoyuan (TW)**
(**) Term: **15 Years**
(21) Appl. No.: **29/585,807**
(22) Filed: **Nov. 29, 2016**
(30) **Foreign Application Priority Data**
Sep. 23, 2016 (TW) 105305663
(51) **LOC (11) Cl.** **12-12**
(52) **U.S. Cl.**
USPC **D12/132; D34/28**
(58) **Field of Classification Search**
USPC **D12/128-133; D34/28, 33**
CPC **A61G 7/10; A61G 7/14**
See application file for complete search history.

(56) **References Cited**
U.S. PATENT DOCUMENTS
5,579,547 A * 12/1996 Hunt A61G 7/1015
5/83.1
5,609,566 A * 3/1997 Pupovic A61H 1/0296
601/23
5,845,348 A * 12/1998 Dunn A61G 7/1017
5/83.1
6,079,062 A * 6/2000 Mullin A61G 7/1019
5/81.1 R
D451,658 S * 12/2001 Czemerer D34/28
7,428,759 B2 * 9/2008 Bain A61G 7/1017
212/294

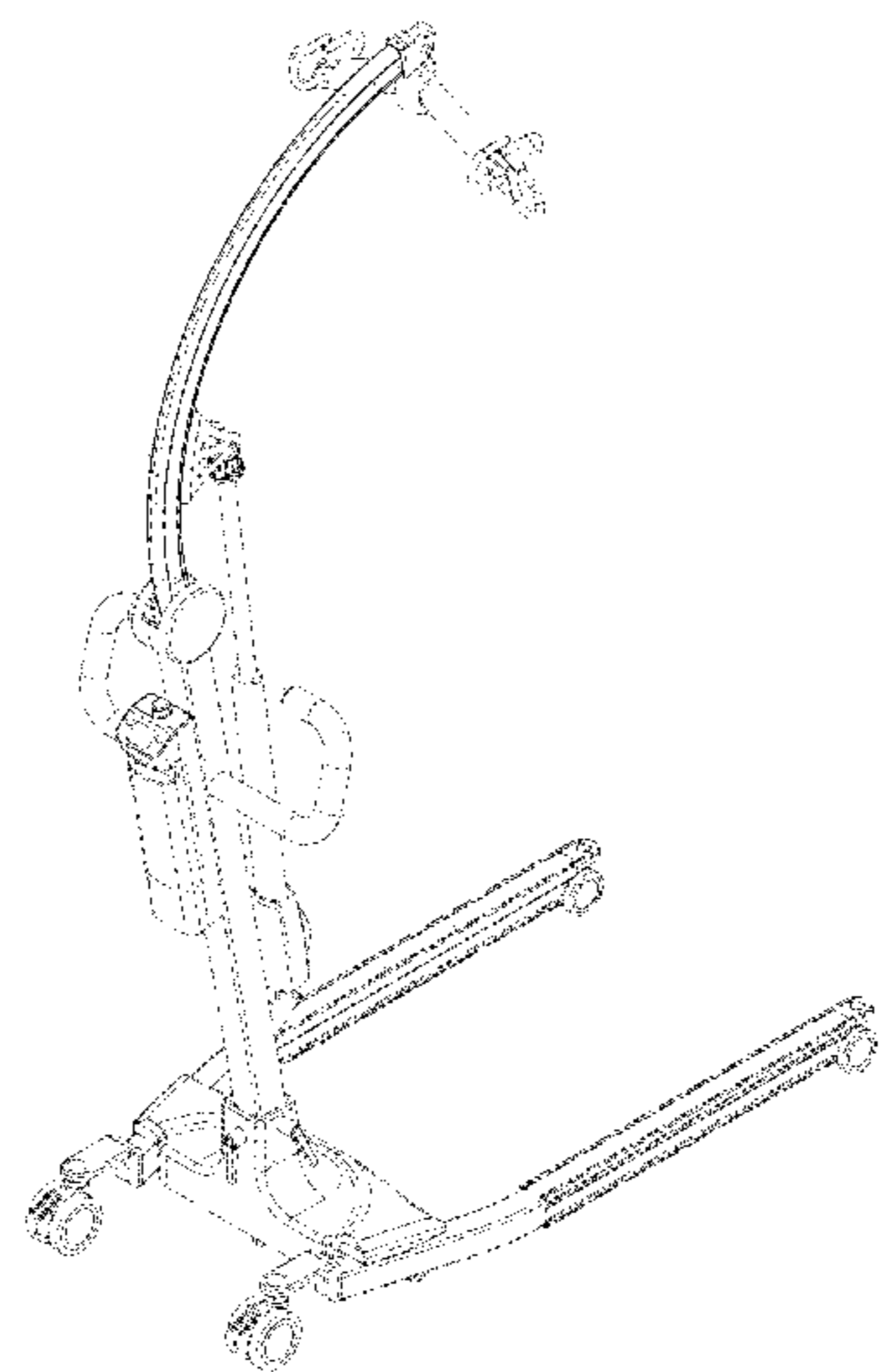
7,437,782 B1 * 10/2008 Burns A61G 7/1019
254/385
7,669,255 B2 * 3/2010 Raney A61G 7/1017
5/86.1
8,272,084 B2 * 9/2012 Spidare A61G 7/1017
5/81.1 R
8,438,677 B2 * 5/2013 Biersteker A61G 7/1046
5/86.1
8,474,794 B2 * 7/2013 Liljedahl A61G 7/1017
254/120
8,650,676 B2 * 2/2014 Lin A61G 7/1019
5/81.1 HS
8,656,529 B2 * 2/2014 Corriveau A61G 7/1017
5/83.1
8,914,920 B2 * 12/2014 Niklasson A61G 7/1017
5/83.1
9,576,470 B2 * 2/2017 Jensen G08C 17/02
2006/0026755 A1 * 2/2006 Bain A61G 7/1017
5/86.1

* cited by examiner
Primary Examiner — Charles D Hanson
(74) *Attorney, Agent, or Firm* — Rosenberg, Klein & Lee

(57) **CLAIM**
What is claimed is the ornamental design for a patient lift, as shown and described.

DESCRIPTION
FIG. 1 is a perspective view of my new design for a patient lift;
FIG. 2 is a front view thereof;
FIG. 3 is a rear view thereof;
FIG. 4 is a left view thereof;
FIG. 5 is a right view thereof;
FIG. 6 is a top plan view thereof; and,
FIG. 7 is a bottom plan view thereof.
The broken lines in the drawings form no part of the claimed design.

1 Claim, 7 Drawing Sheets



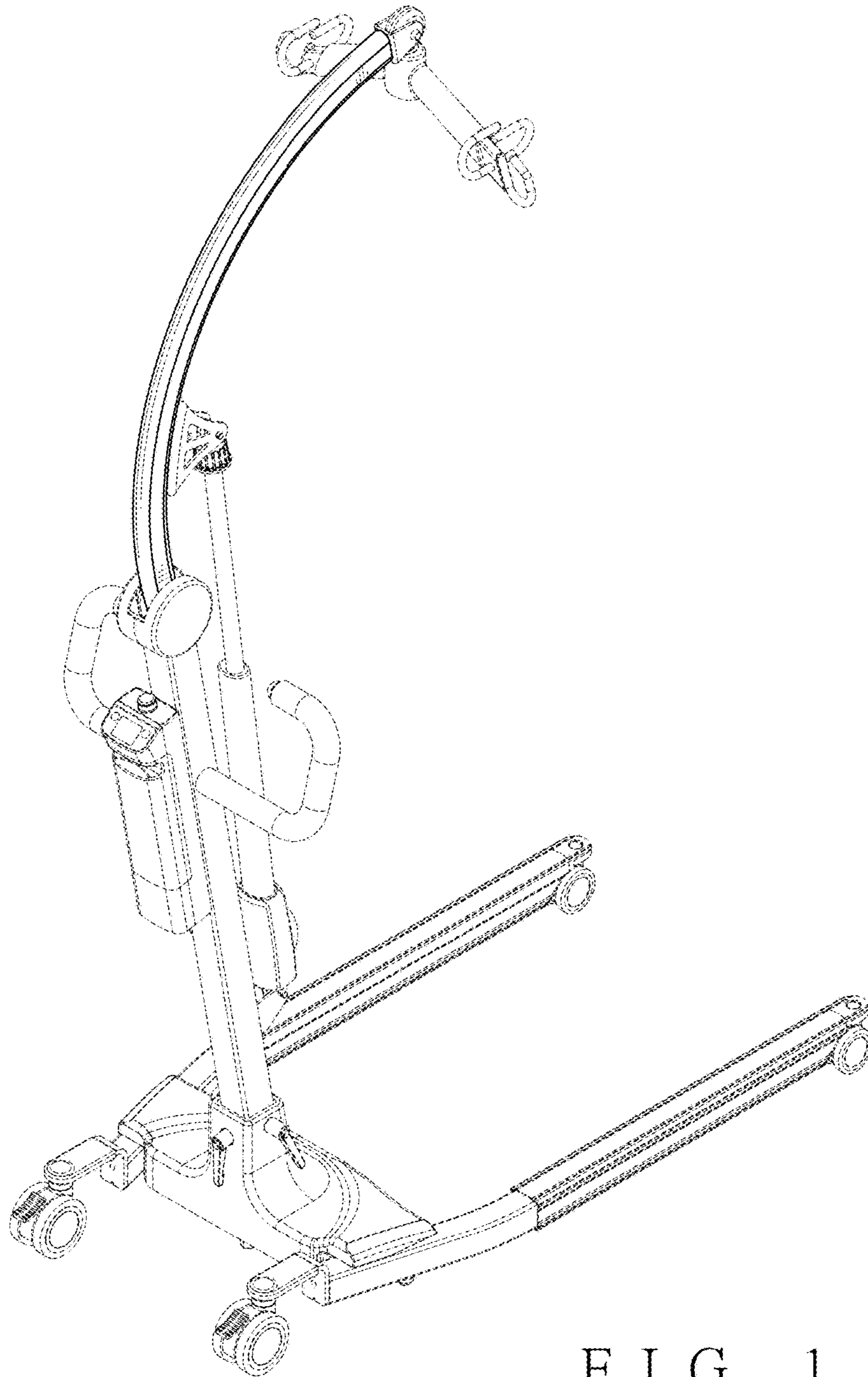


FIG. 1

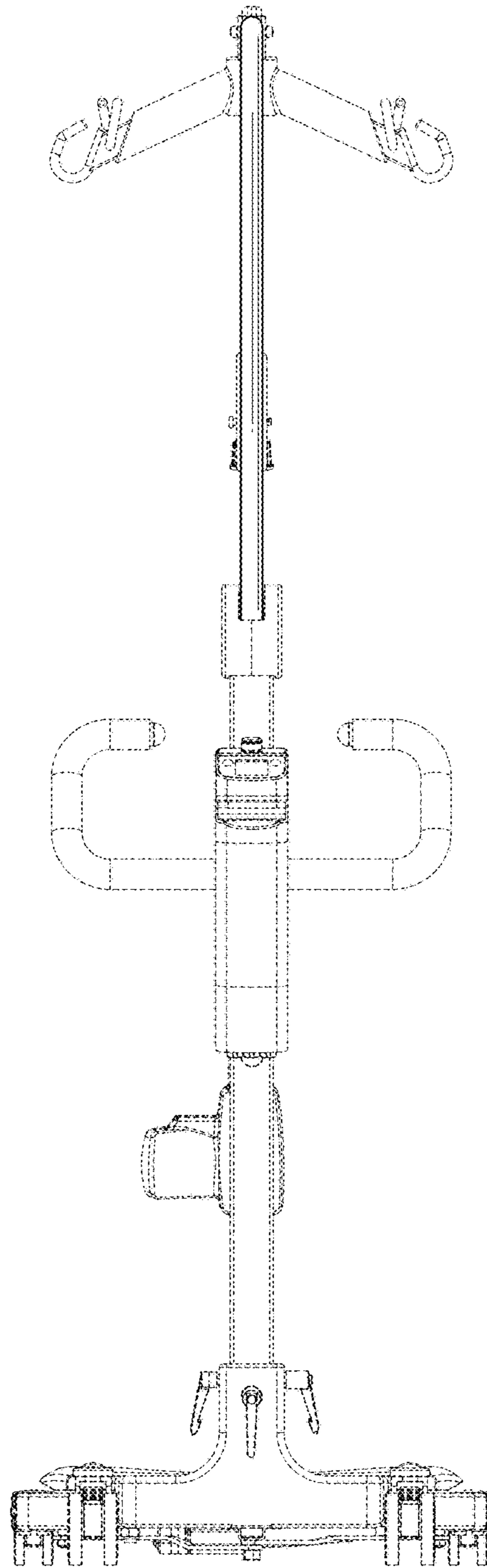


FIG. 2

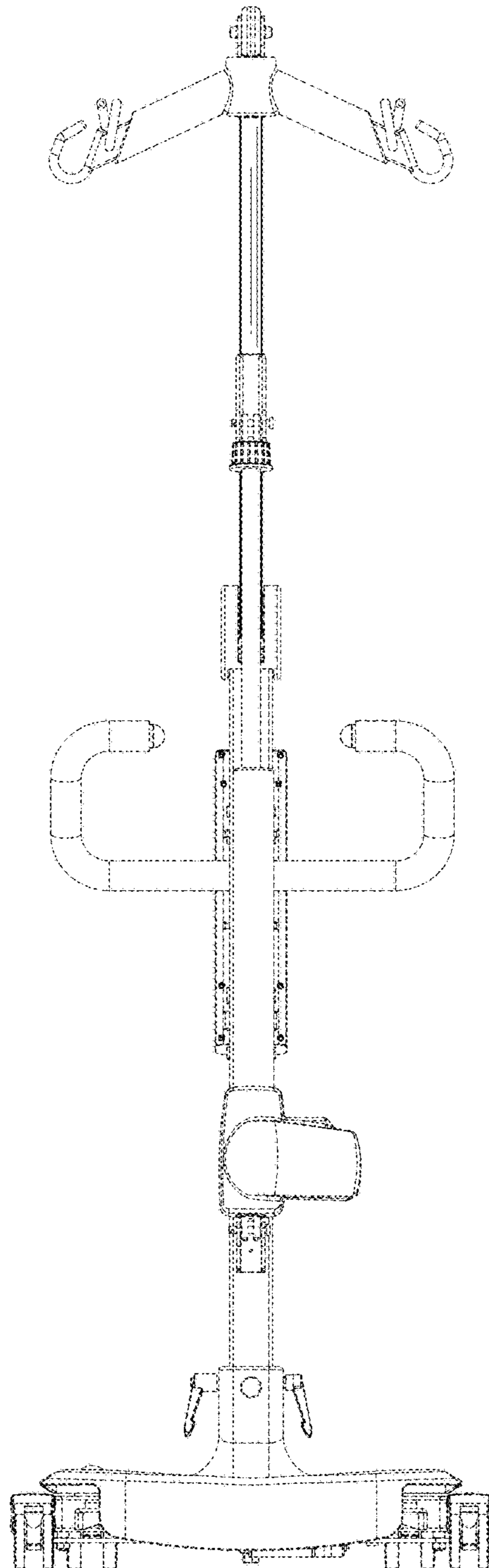


FIG. 3

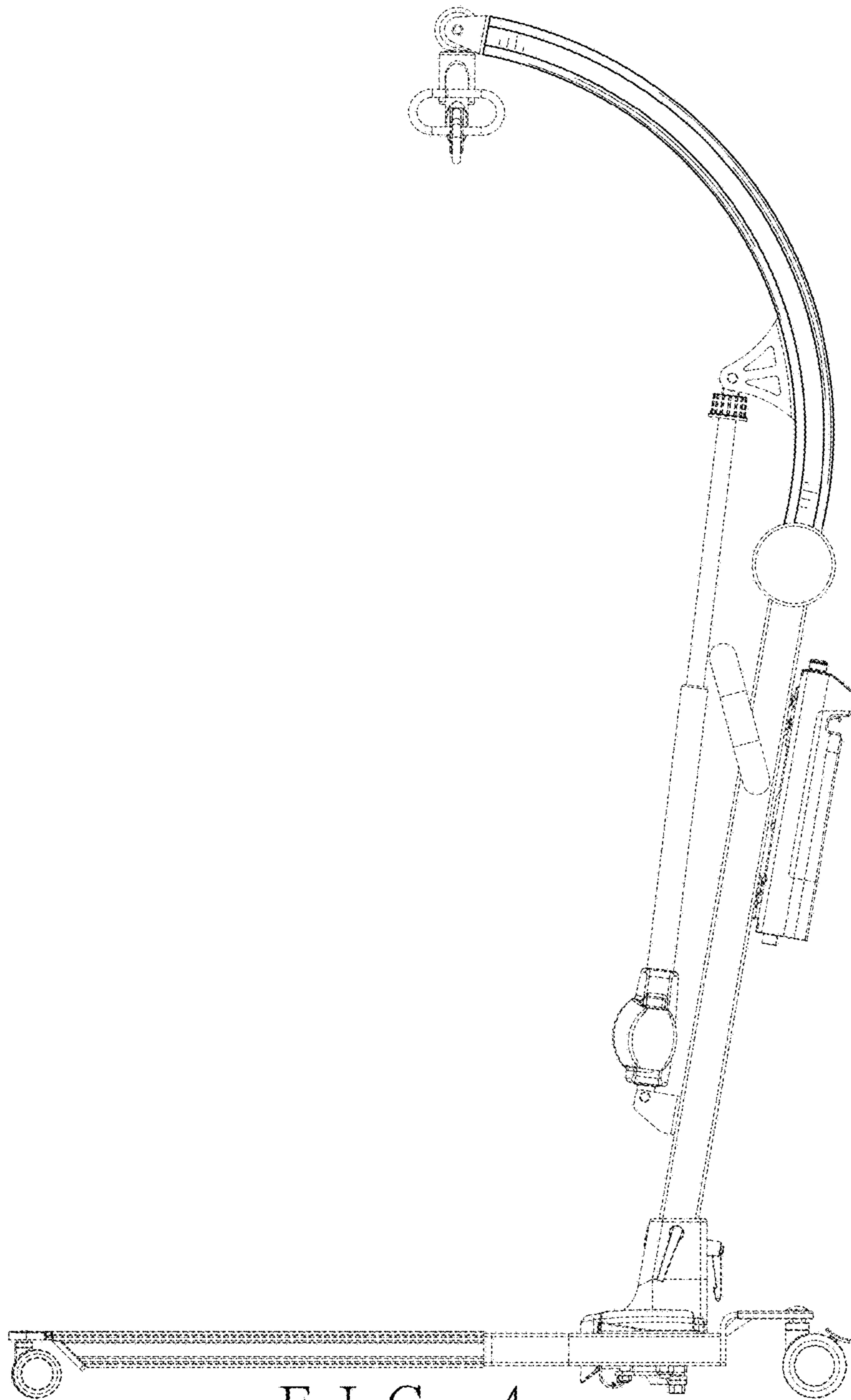


FIG. 4

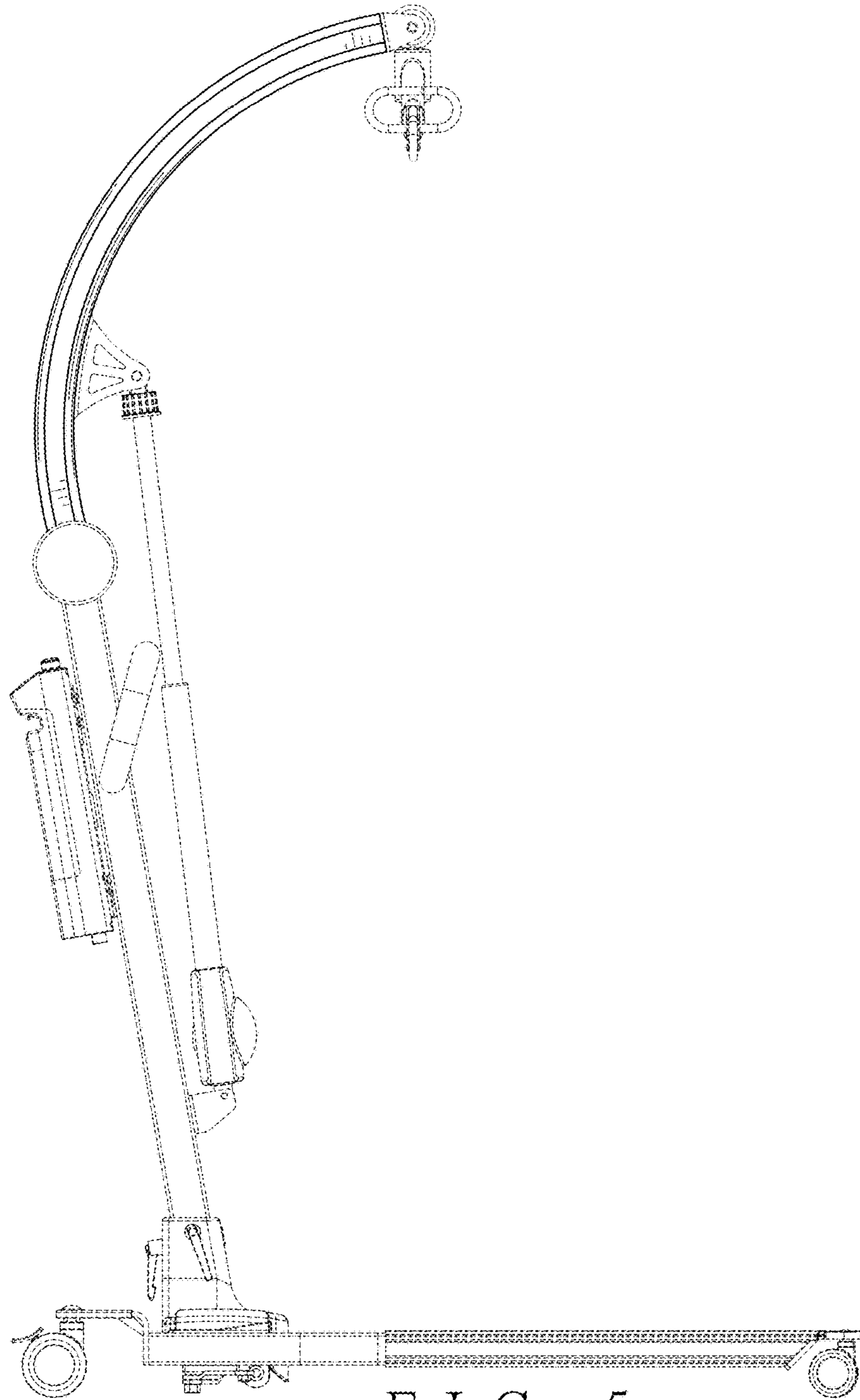


FIG. 5

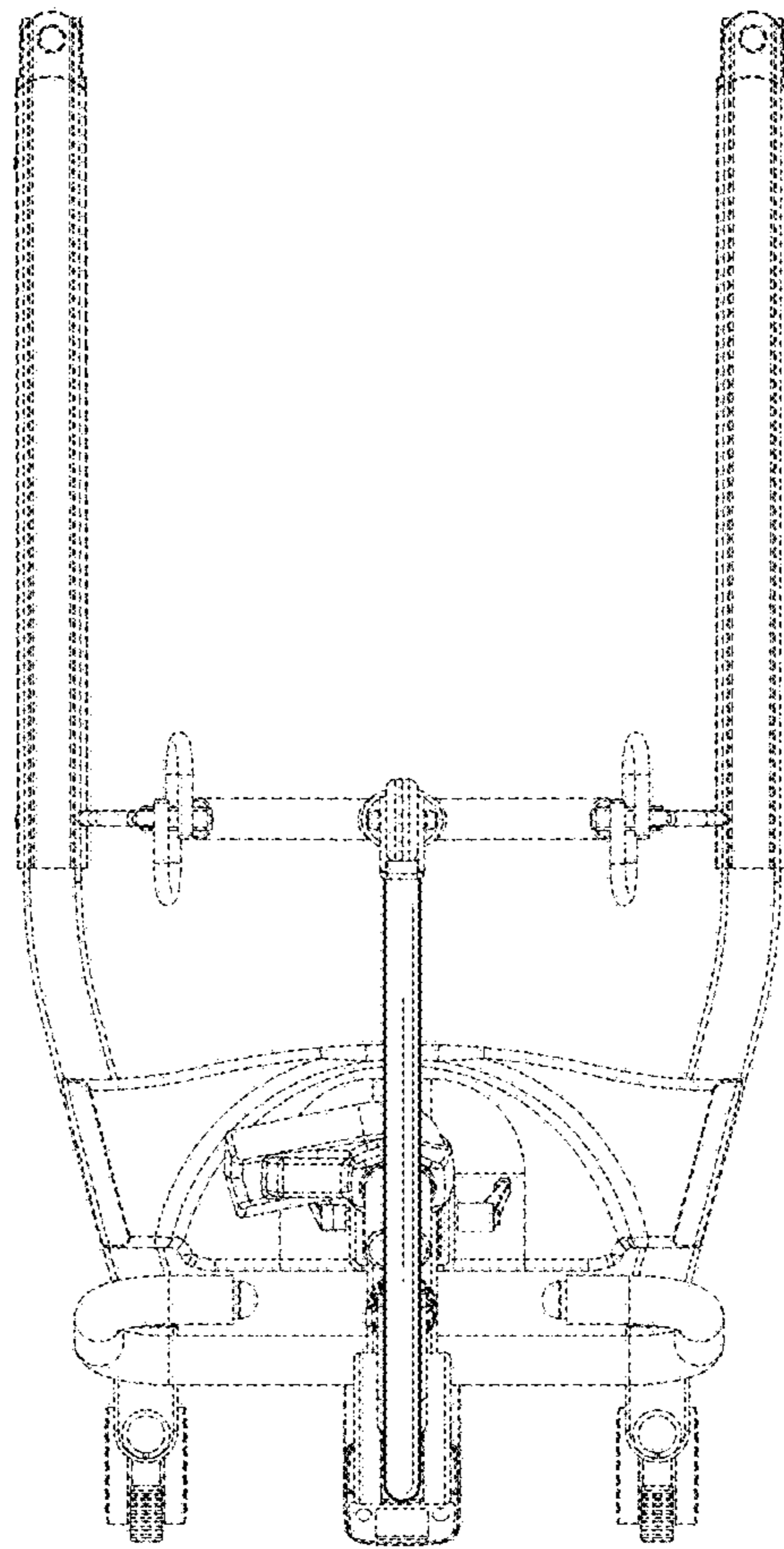


FIG. 6

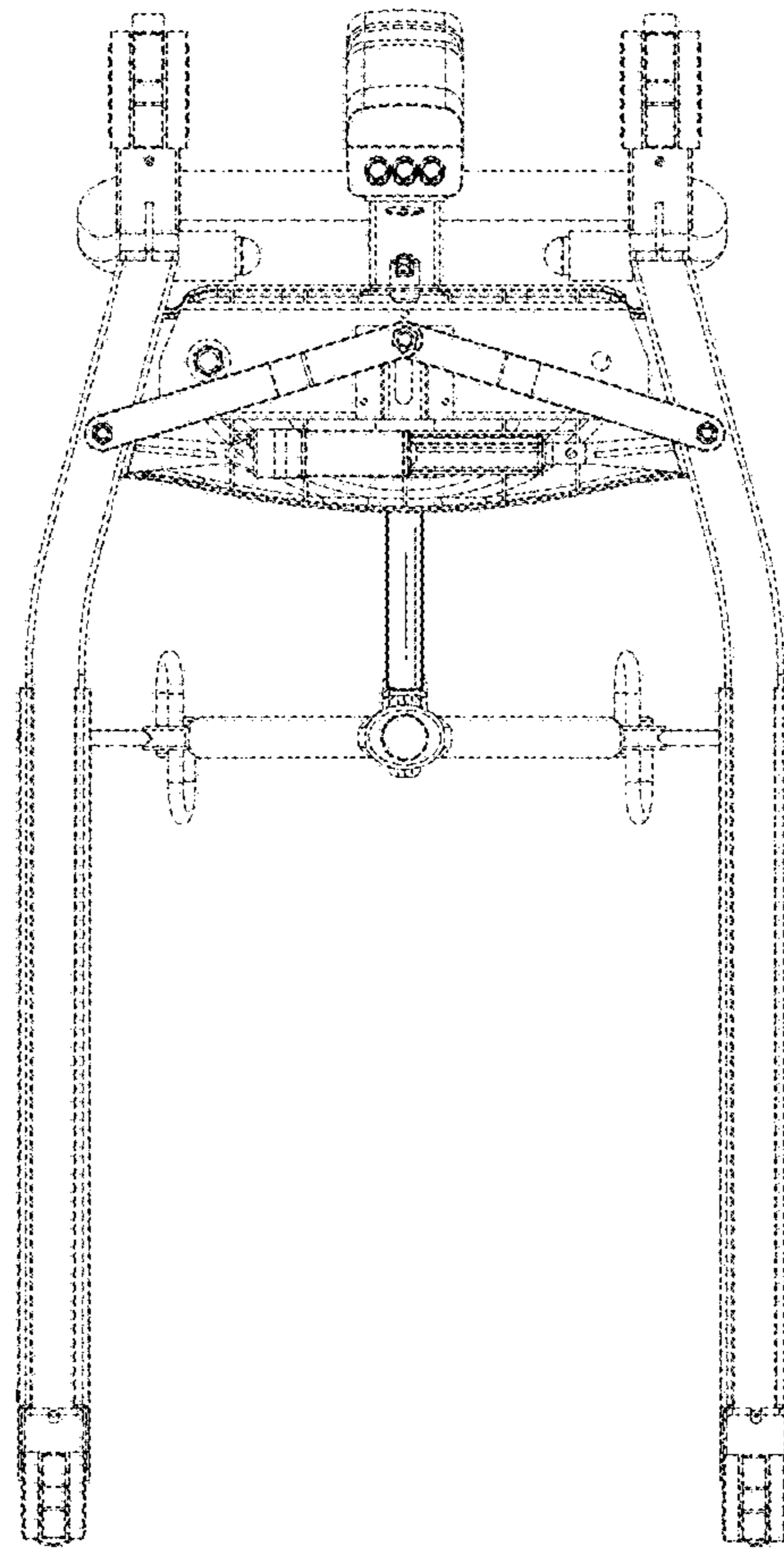


FIG. 7