

US00D839792S

(12) **United States Design Patent** (10) **Patent No.:** **US D839,792 S**
Huang (45) **Date of Patent:** **** Feb. 5, 2019**

(54) **PATIENT CARRIER**

(71) Applicant: **APEX HEALTH CARE MFG. INC.**,
Chiayi County (TW)

(72) Inventor: **Chi-Tzung Huang**, Chiayi County
(TW)

(73) Assignee: **Apex Health Care Mfg., Inc.**, Chiayi
County (TW)

(**) Term: **15 Years**

(21) Appl. No.: **29/615,055**

(22) Filed: **Aug. 25, 2017**

(51) **LOC (11) Cl.** **12-12**

(52) **U.S. Cl.**
USPC **D12/128**

(58) **Field of Classification Search**
USPC D12/128-133; D34/28, 33
CPC A61G 7/10; A61G 7/14
See application file for complete search history.

7,669,255 B2 * 3/2010 Raney A61G 7/1017
5/86.1

8,272,084 B2 * 9/2012 Spidare A61G 7/1017
5/81.1 R

8,438,677 B2 * 5/2013 Biersteker A61G 7/1046
5/86.1

8,474,794 B2 * 7/2013 Liljedahl A61G 7/1017
254/120

8,650,676 B2 * 2/2014 Lin A61G 7/1019
5/81.1 HS

8,656,529 B2 * 2/2014 Corriveau A61G 7/1017
5/83.1

8,914,920 B2 * 12/2014 Niklasson A61G 7/1017
5/83.1

9,576,470 B2 * 2/2017 Jensen G08C 17/02

2006/0026755 A1 * 2/2006 Bain A61G 7/1017
5/86.1

* cited by examiner

Primary Examiner — Charles D Hanson
 (74) *Attorney, Agent, or Firm* — Rosenberg, Klein & Lee

(57) **CLAIM**

The ornamental design for a patient carrier, as shown and described.

(56) **References Cited**

U.S. PATENT DOCUMENTS

5,579,547 A * 12/1996 Hunt A61G 7/1015
5/83.1

5,609,566 A * 3/1997 Pupovic A61H 1/0296
601/23

5,845,348 A * 12/1998 Dunn A61G 7/1017
5/83.1

6,079,062 A * 6/2000 Mullin A61G 7/1019
5/81.1 R

D451,658 S * 12/2001 Czemerer D34/28

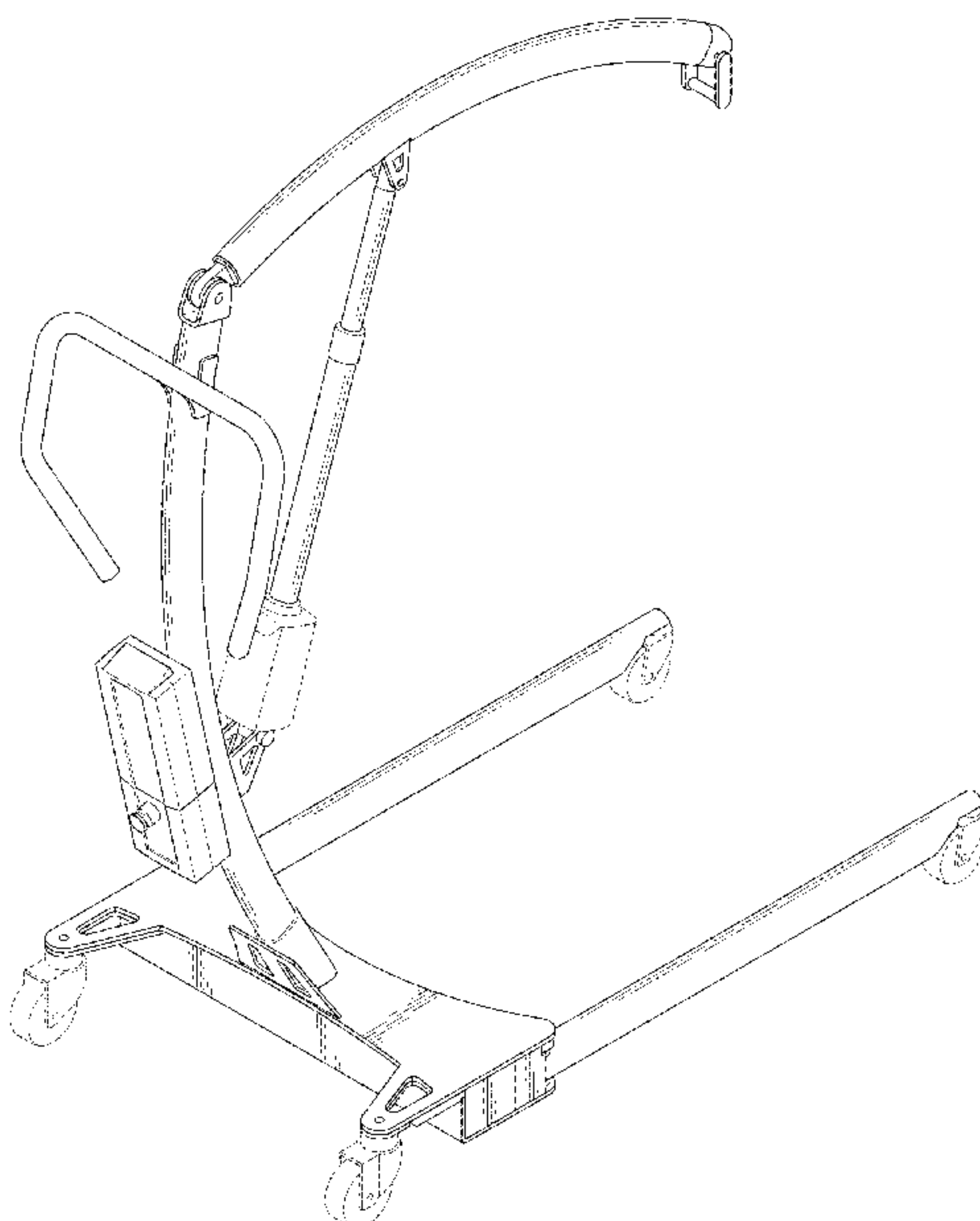
7,428,759 B2 * 9/2008 Bain A61G 7/1017
212/294

7,437,782 B1 * 10/2008 Burns A61G 7/1019
254/385

DESCRIPTION

FIG. 1 is a perspective view of a patient carrier showing my new design;
 FIG. 2 is a front elevational view thereof;
 FIG. 3 is a rear elevational view thereof;
 FIG. 4 is a left side elevational view thereof;
 FIG. 5 is a right side elevational view thereof;
 FIG. 6 is a top plan view thereof; and,
 FIG. 7 is a bottom plan view thereof.
 The broken lines shown in the figures are included for illustrating unclaimed portions of the patient carrier and form no part of the claimed design.

1 Claim, 7 Drawing Sheets



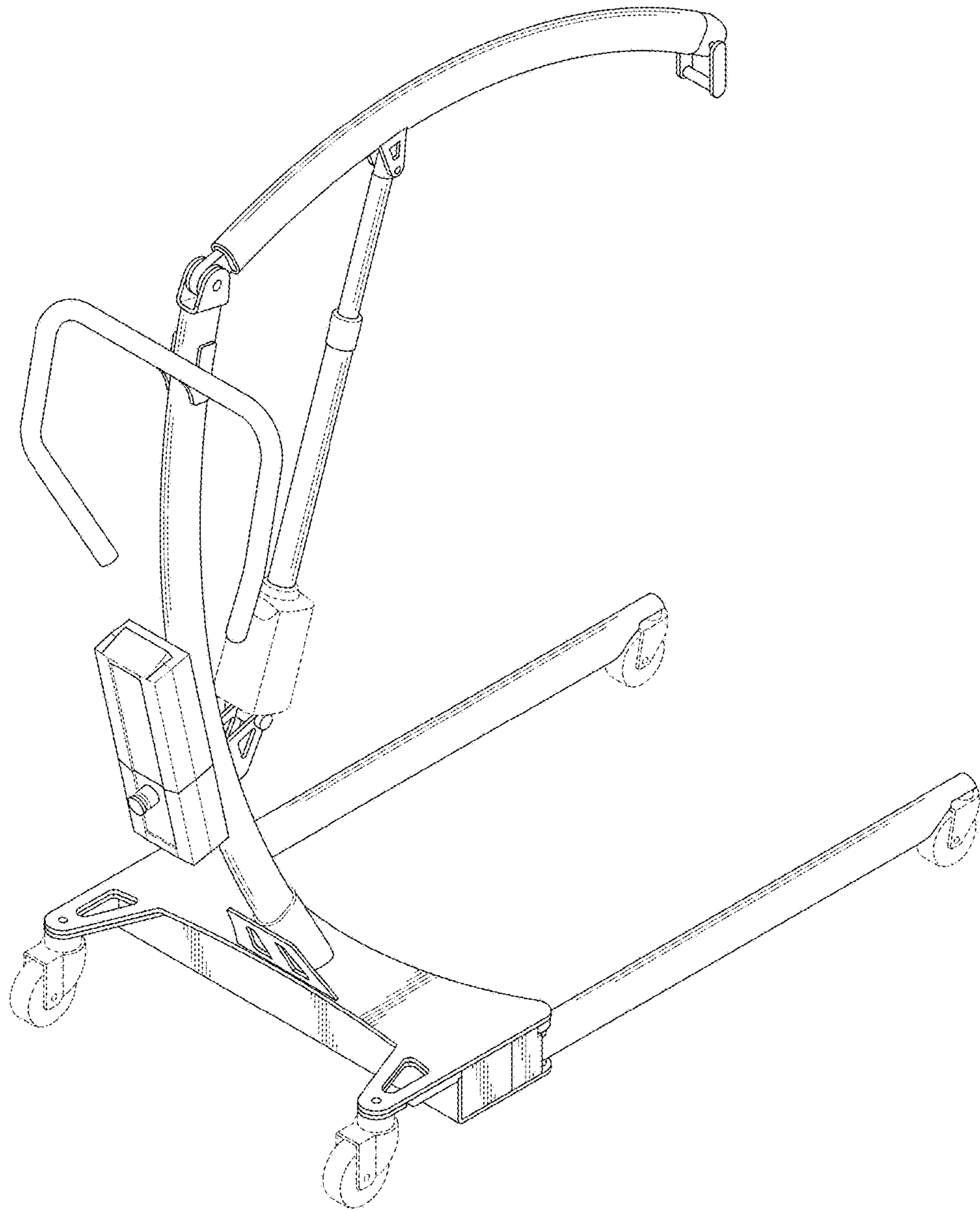


FIG. 1

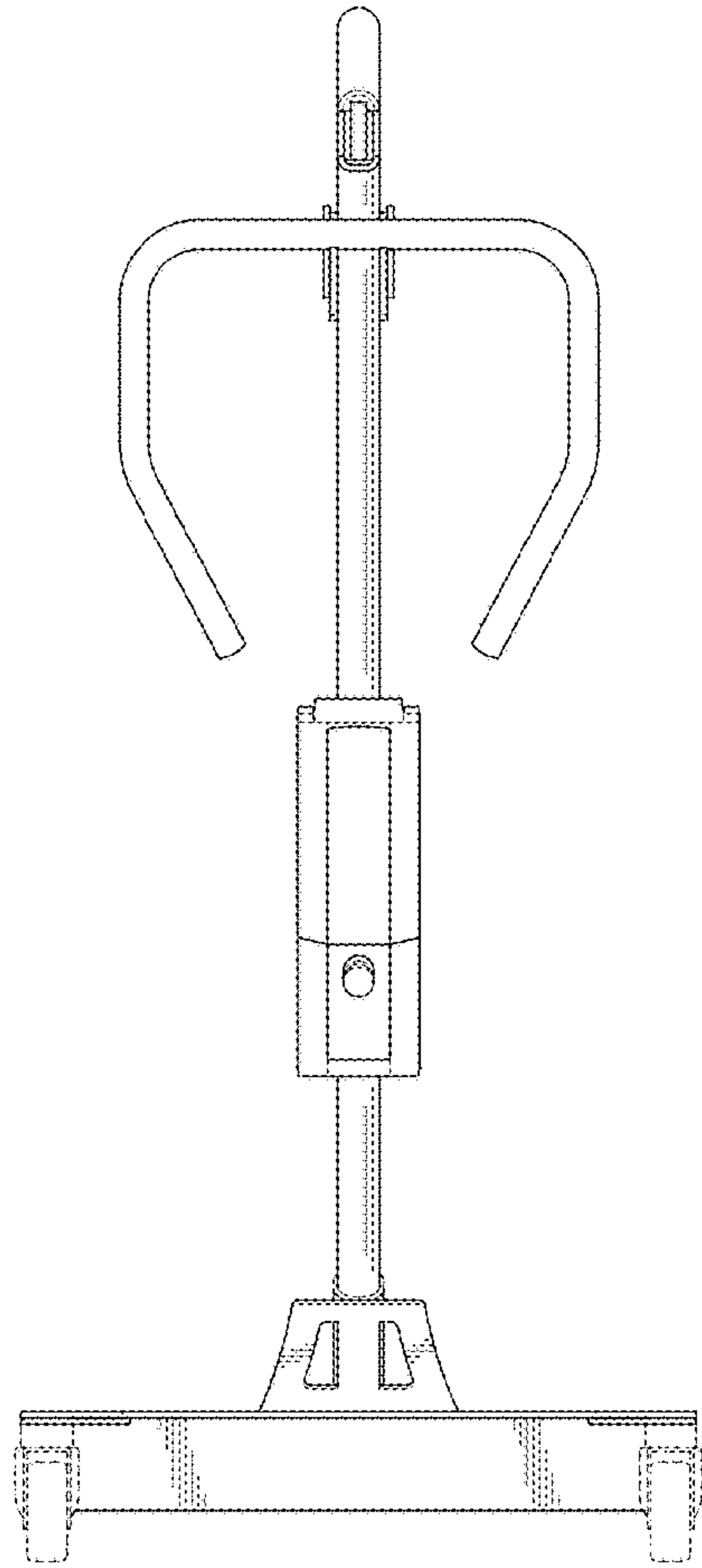


FIG. 2

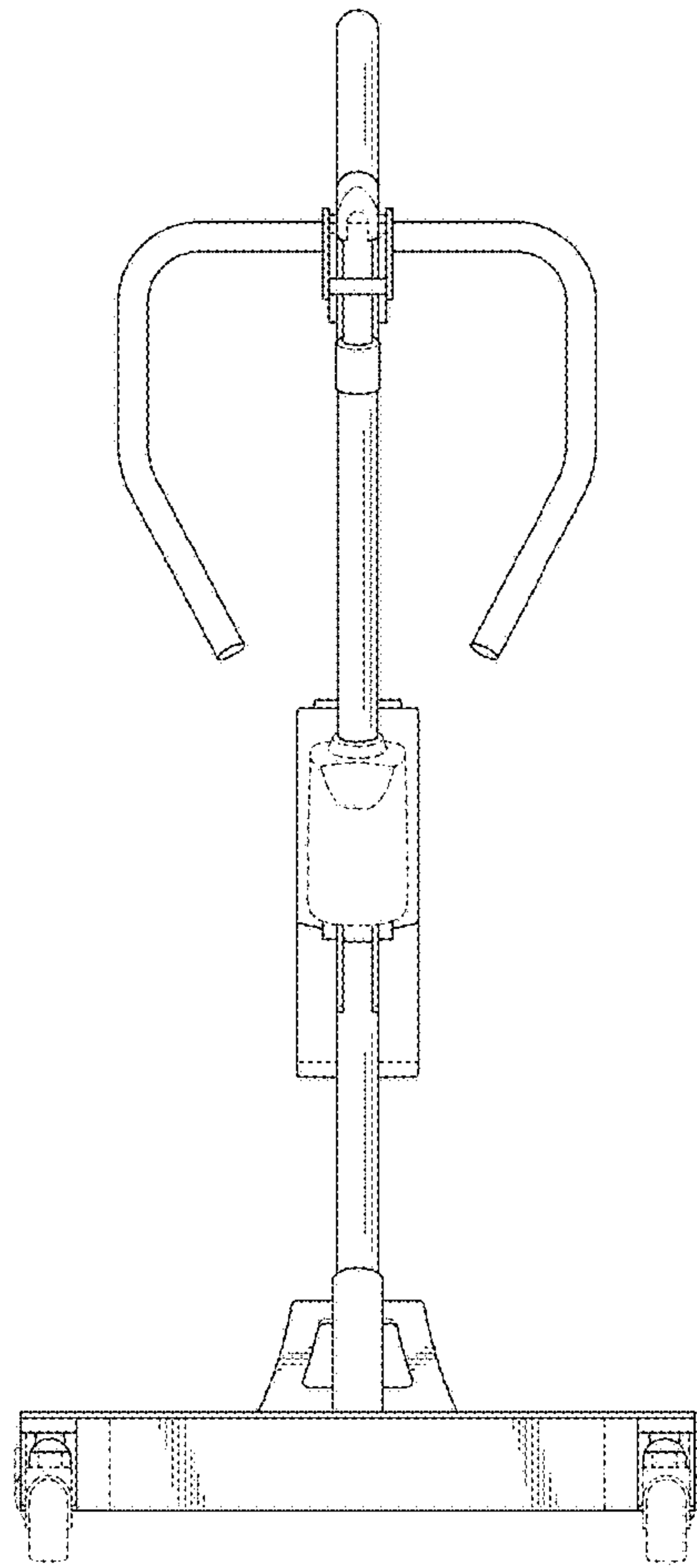


FIG. 3

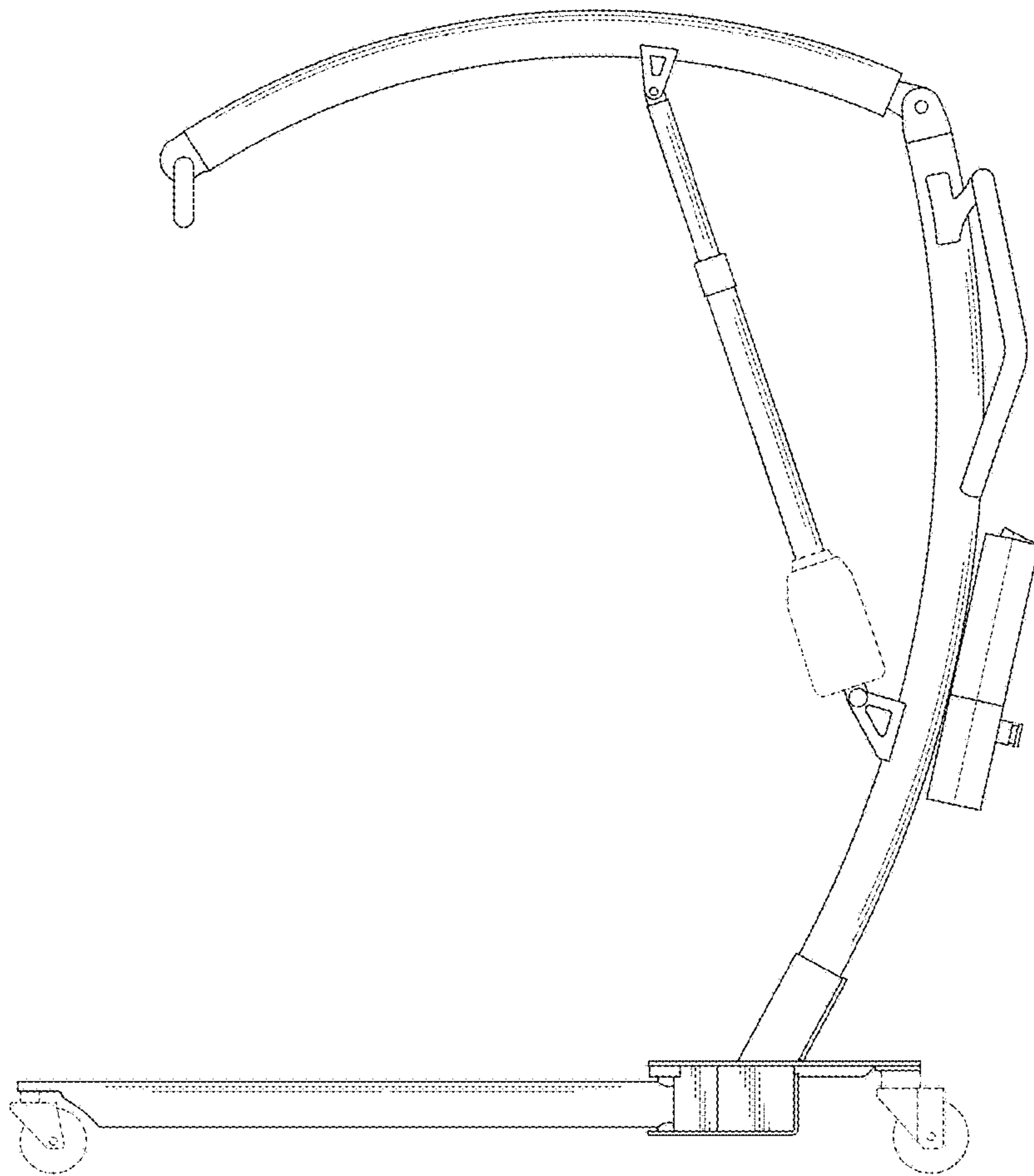


FIG. 4

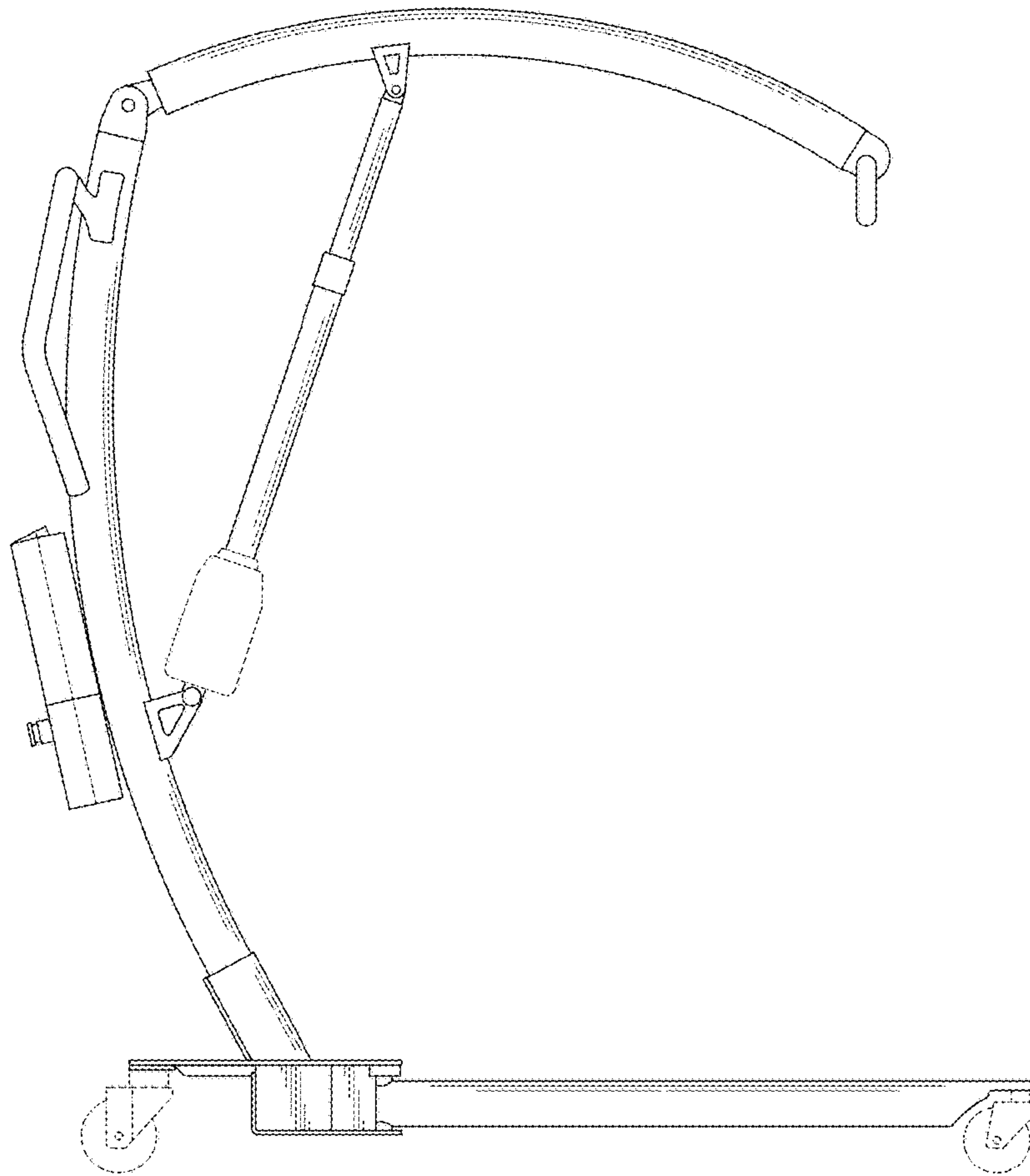


FIG. 5

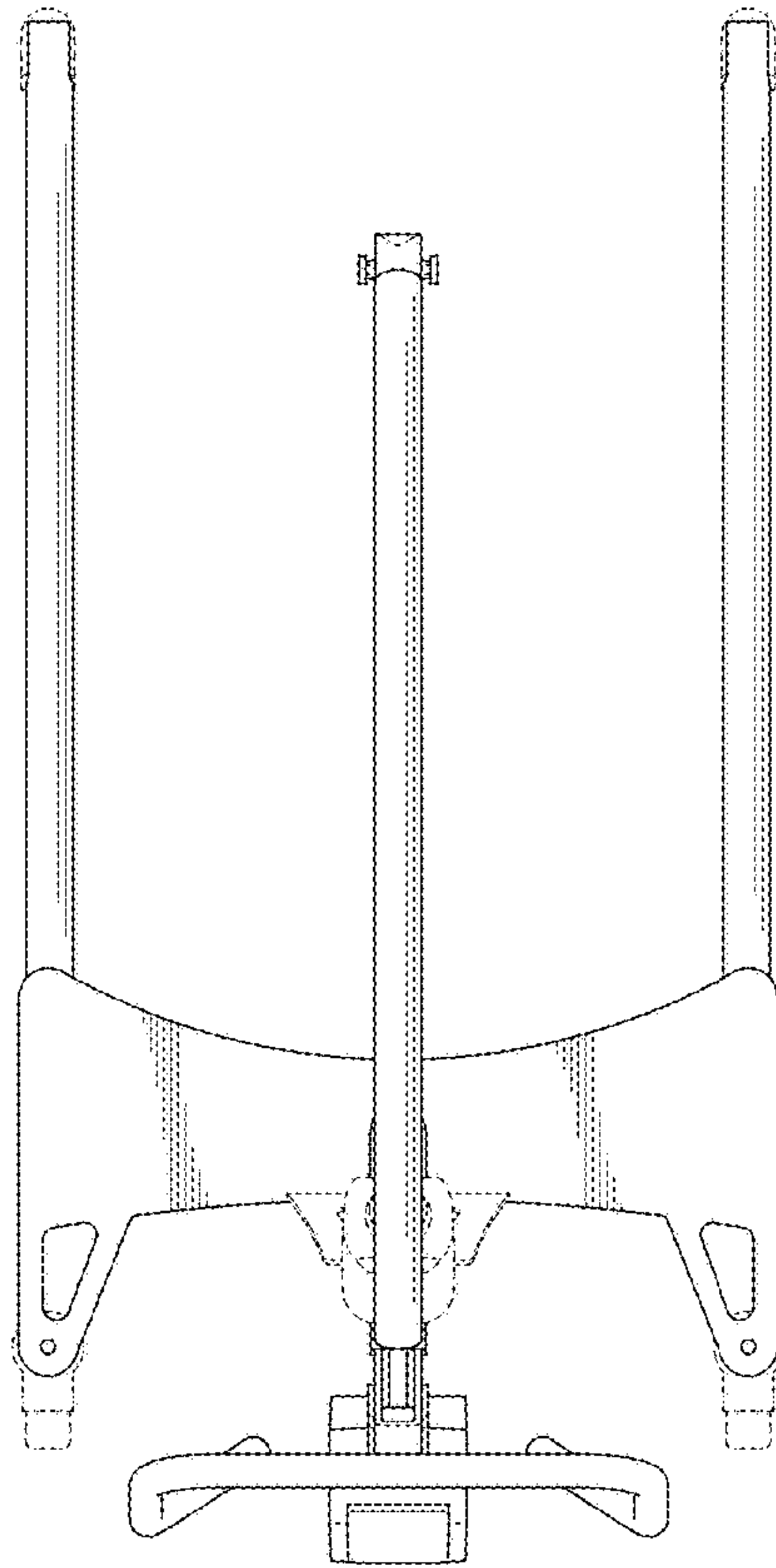


FIG. 6

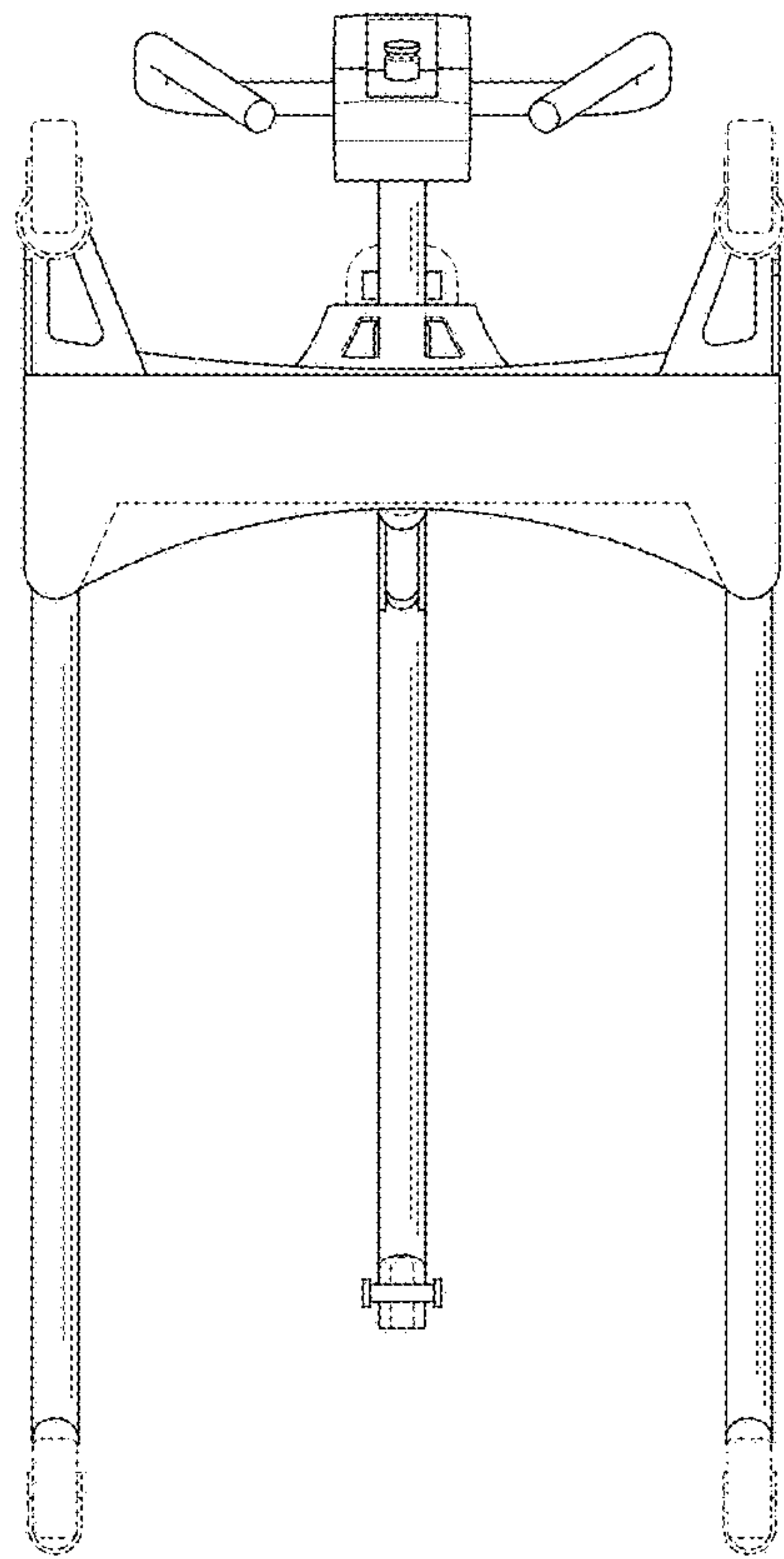


FIG. 7