

US00D839789S

(12) **United States Design Patent** (10) **Patent No.:** **US D839,789 S**
Keller (45) **Date of Patent:** **** Feb. 5, 2019**

(54) **MOTORCYCLE MIRROR**
(71) Applicant: **motogadget GmbH**, Berlin (DE)
(72) Inventor: **Garrit Keller**, Berlin (DE)
(73) Assignee: **MOTOGADGET GMBH**, Berlin (DE)
(**) Term: **15 Years**
(21) Appl. No.: **29/637,132**
(22) Filed: **Feb. 14, 2018**

D391,213 S * 2/1998 Huang D12/187
D397,976 S * 9/1998 Otto D12/187
D399,809 S * 10/1998 Leveille D12/187
D406,088 S * 2/1999 Hanlon D12/187
D431,508 S * 10/2000 Matsumoto D12/187
D445,743 S * 7/2001 Hsu D12/187
D505,369 S * 5/2005 Huang D12/187
D510,197 S * 10/2005 Lin D6/300
D552,020 S * 10/2007 Hofle D12/187
D580,302 S * 11/2008 Jordan, III D12/114
D723,439 S * 3/2015 Milbank D12/187
D724,507 S * 3/2015 Shibuta D12/187
9,346,509 B2 * 5/2016 Hoff B62J 29/00
D759,557 S * 6/2016 Suesse D12/187
D808,315 S * 1/2018 Danze D12/187
2012/0305614 A1 * 12/2012 Lee B60R 11/0258
224/545

(30) **Foreign Application Priority Data**

Aug. 14, 2017 (EM) 004147429

(51) **LOC (11) Cl.** **12-16**
(52) **U.S. Cl.**
USPC **D12/114; D12/187**
(58) **Field of Classification Search**
USPC D12/114, 187, 188, 189; D6/300-303
CPC B60R 1/066; B60R 1/006; B60R 1/02; B60R
1/12; B62J 2099/0033; B62J 29/00
See application file for complete search history.

(56) **References Cited**

U.S. PATENT DOCUMENTS

2,455,919 A * 12/1948 Daon B60R 1/06
248/182.1
D174,433 S * 4/1955 Karp D12/187
D234,760 S * 4/1975 Tanaka D12/187
D285,427 S * 9/1986 Cline D12/114
D294,139 S * 2/1988 Kretschmer D12/187
D304,710 S * 11/1989 Sharp D12/187
D310,505 S * 9/1990 Unno D12/187
5,025,543 A * 6/1991 Byers B60R 1/078
248/480
D346,783 S * 5/1994 Brainard D12/187
D365,073 S * 12/1995 Nagano D12/114

* cited by examiner

Primary Examiner — Michelle E. Wilson
Assistant Examiner — Clese Moore, Jr.
(74) *Attorney, Agent, or Firm* — Bond Schoeneck &
King, PLLC; George McGuire

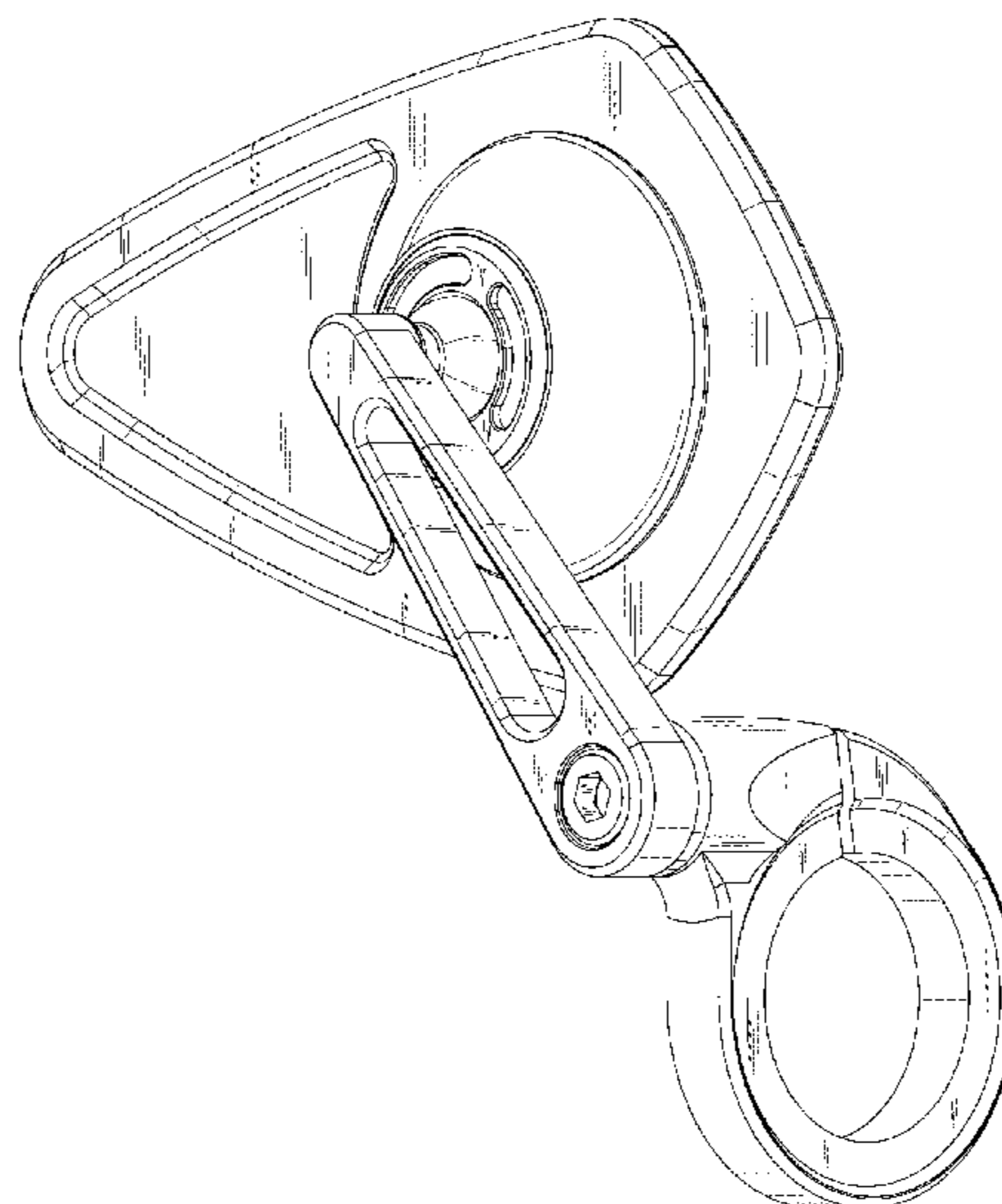
(57) **CLAIM**

The ornamental design for a motorcycle mirror, as shown
and described.

DESCRIPTION

FIG. 1 is a first perspective view of a new and ornamental
design for a motorcycle mirror;
FIG. 2 is a second perspective view thereof;
FIG. 3 is a front elevation view thereof;
FIG. 4 is a rear elevation view thereof;
FIG. 5 is a top plan view thereof;
FIG. 6 is a bottom plan view thereof;
FIG. 7 is a first side elevation view thereof; and,
FIG. 8 is a second side elevation view thereof.

1 Claim, 8 Drawing Sheets



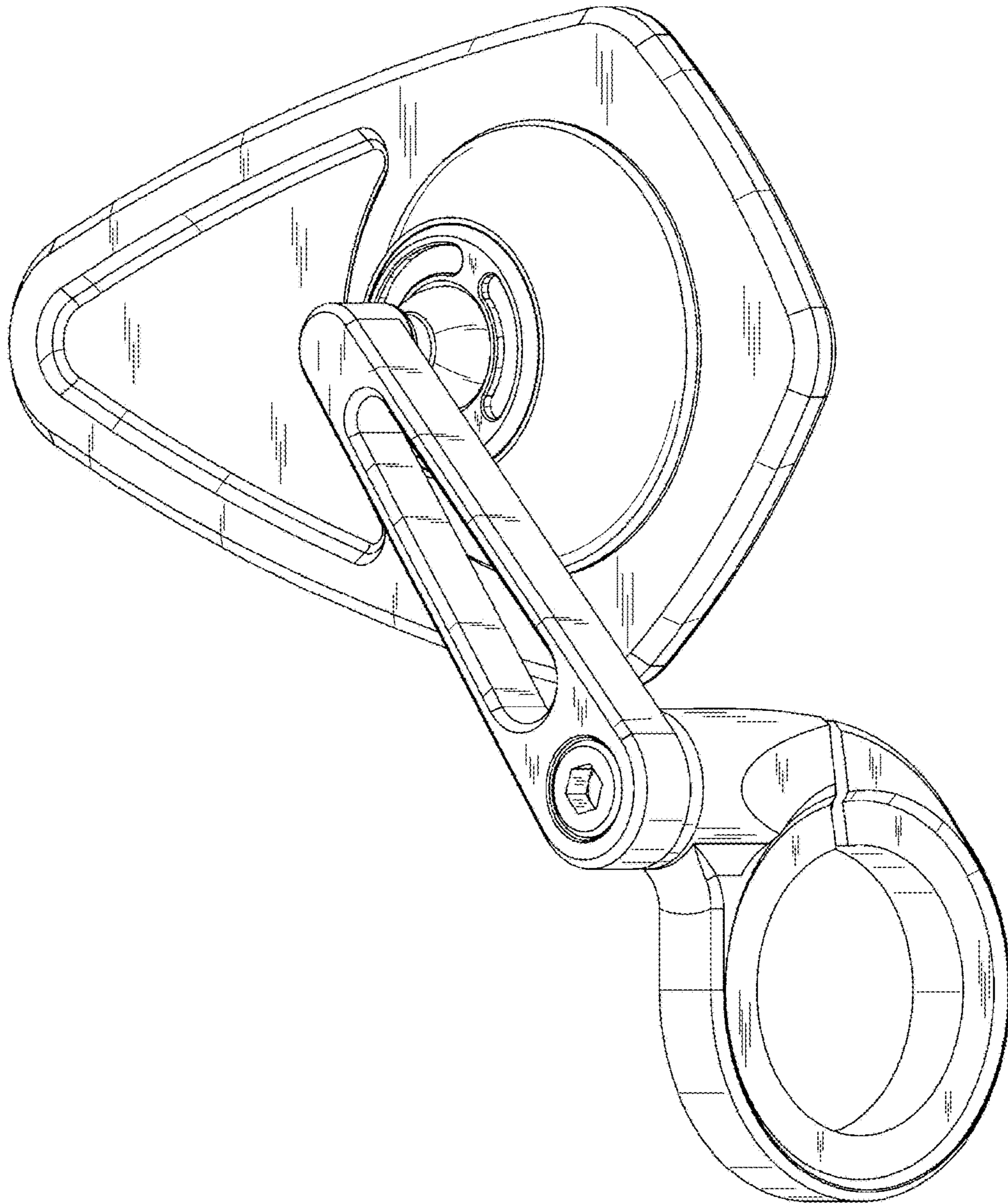


FIG. 1

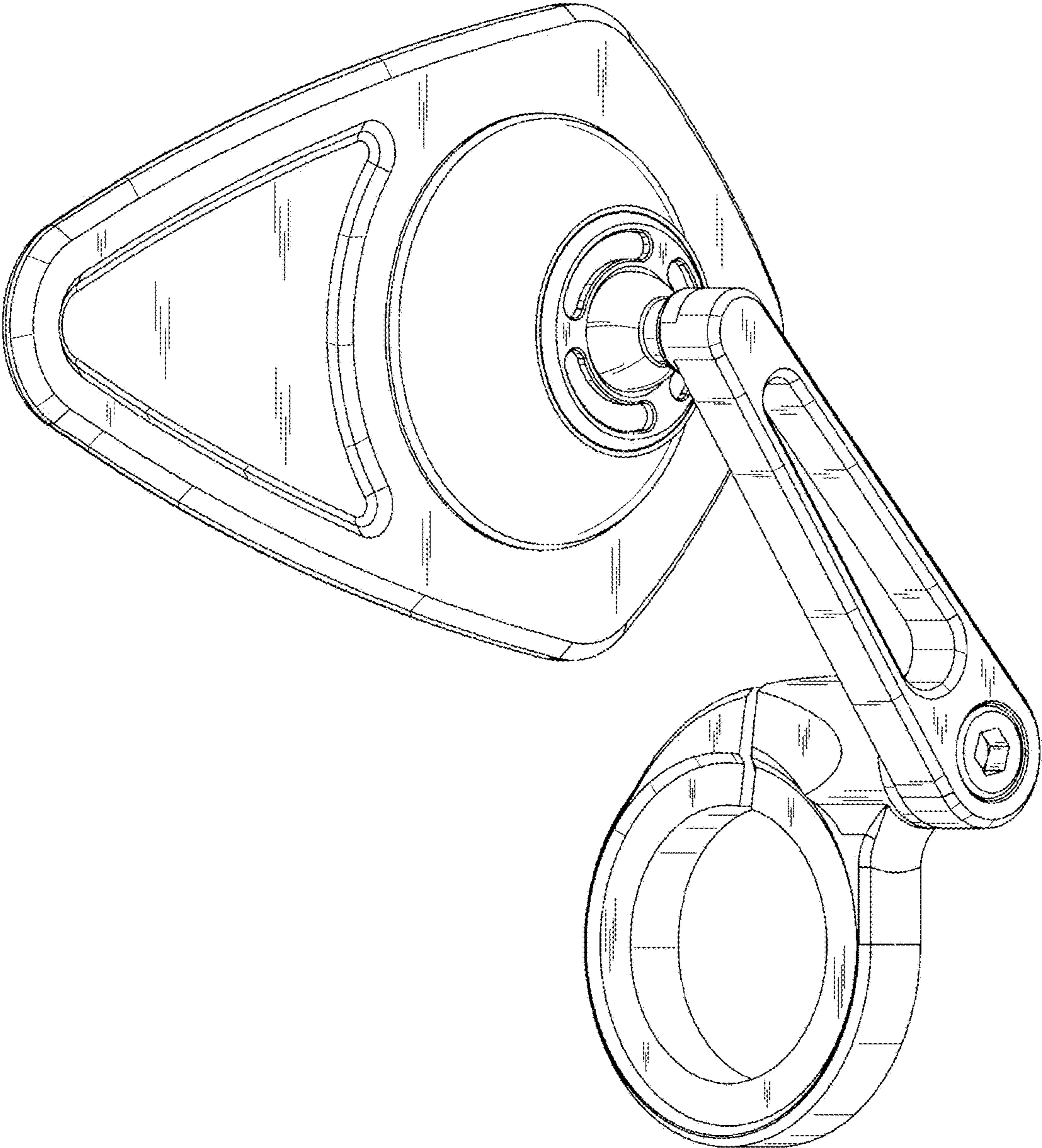


FIG. 2

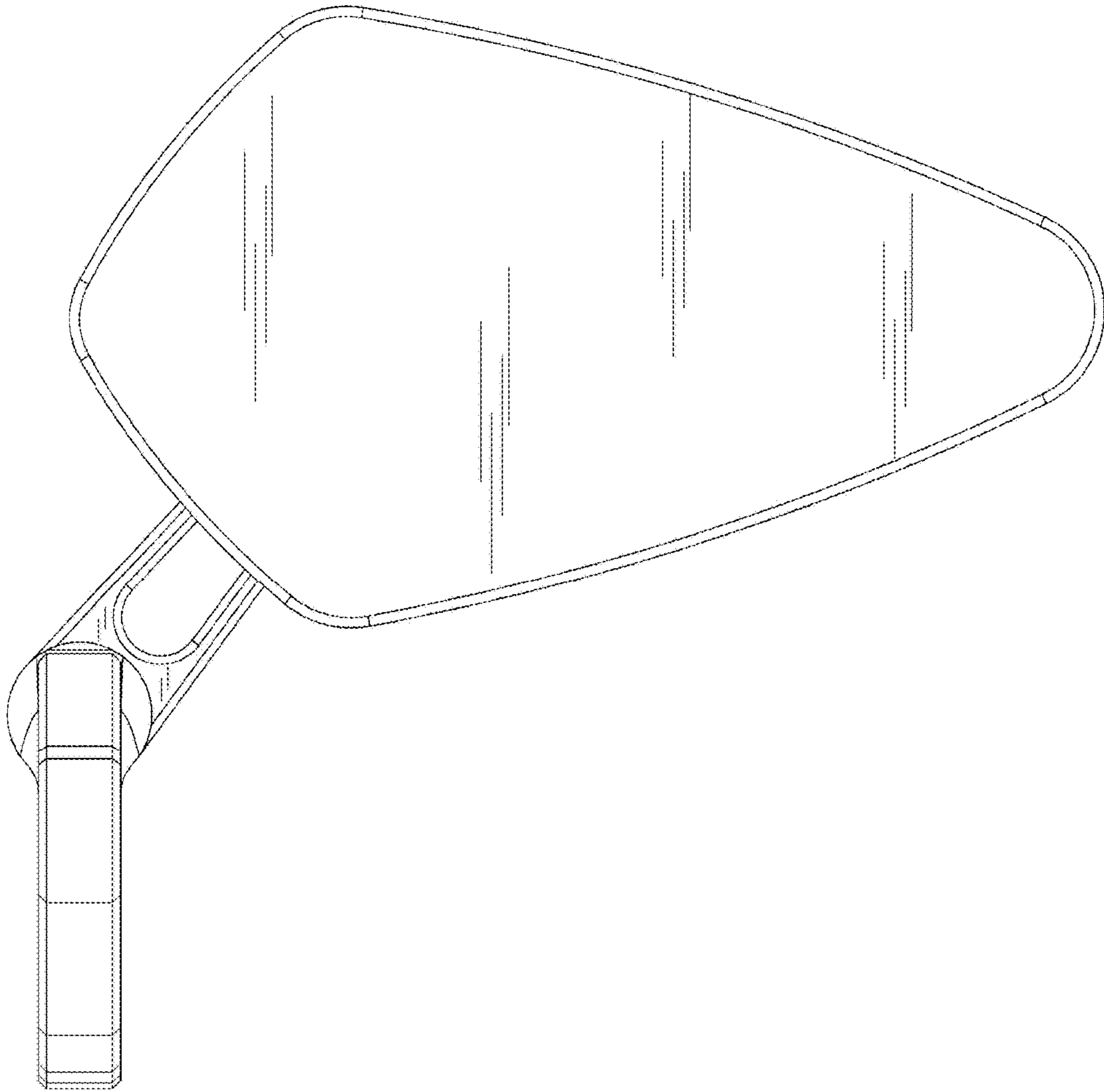


FIG. 3

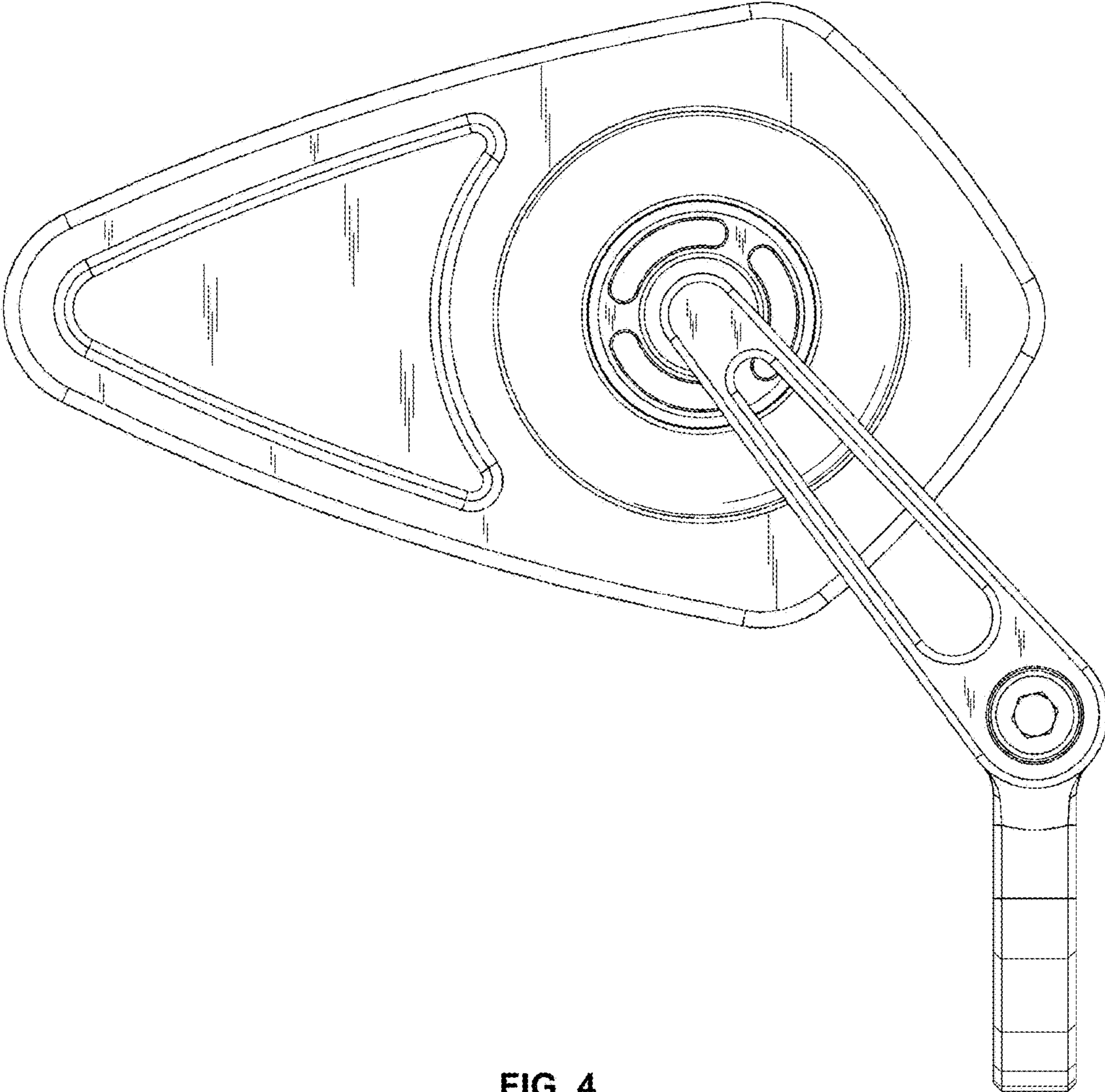


FIG. 4

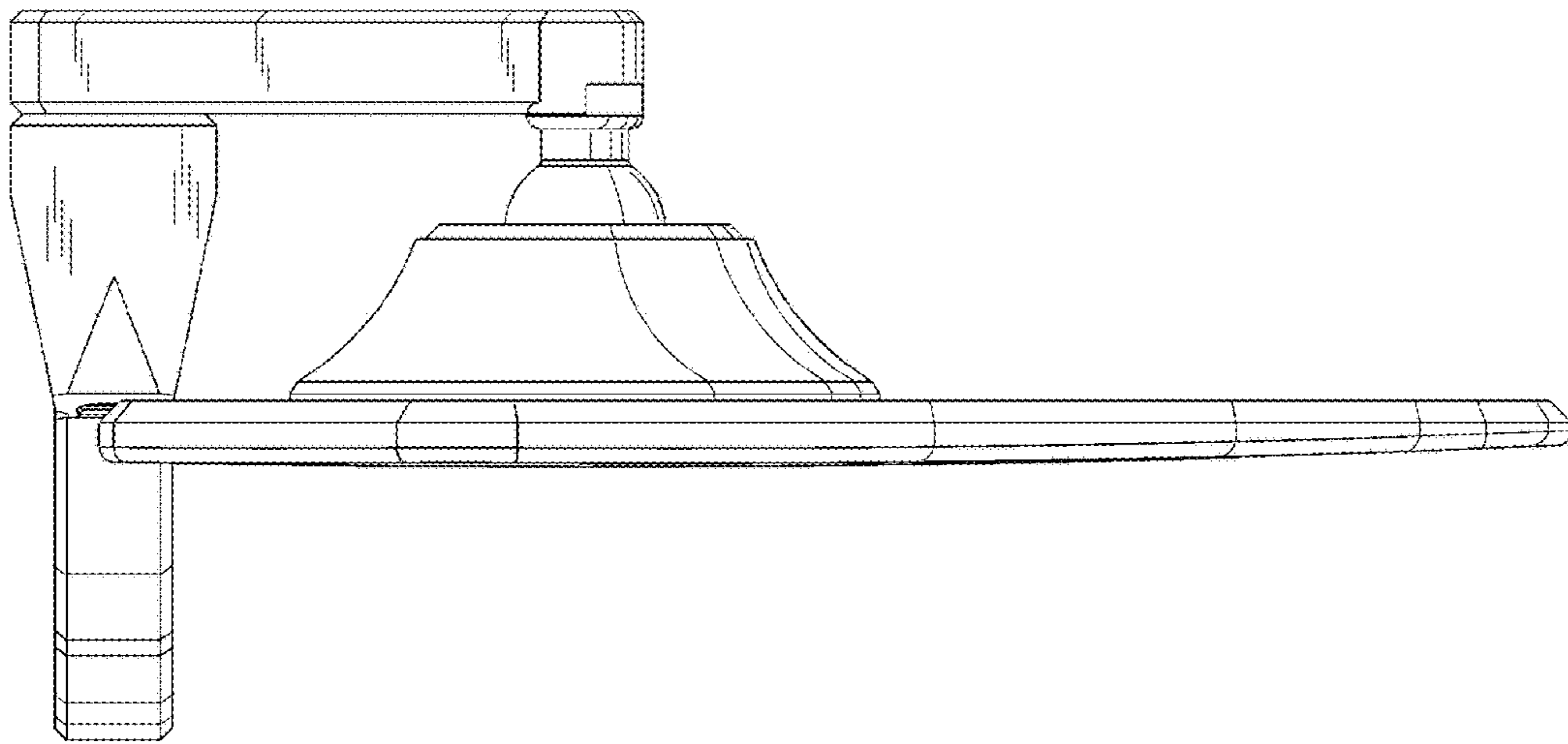


FIG. 5

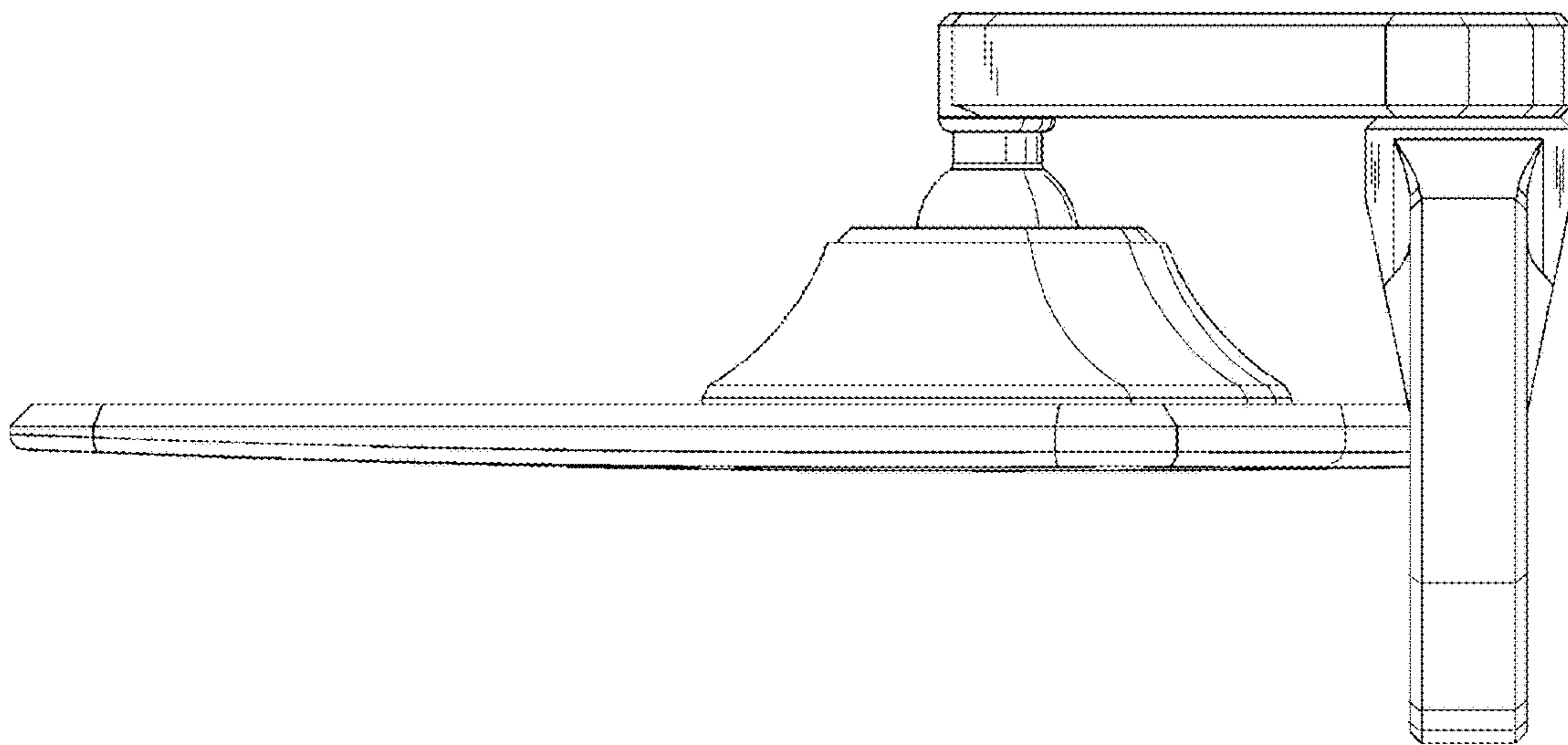


FIG. 6

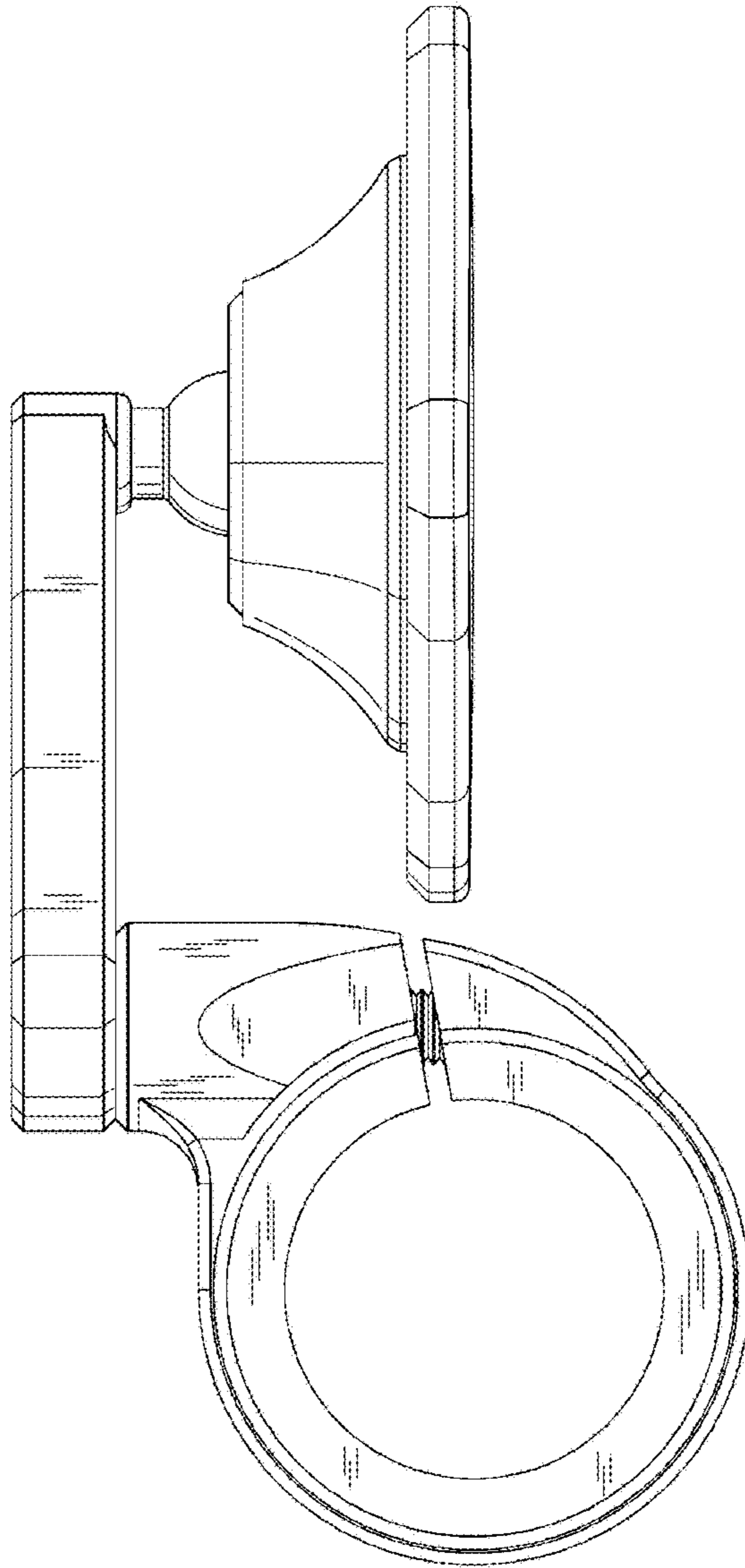


FIG. 7

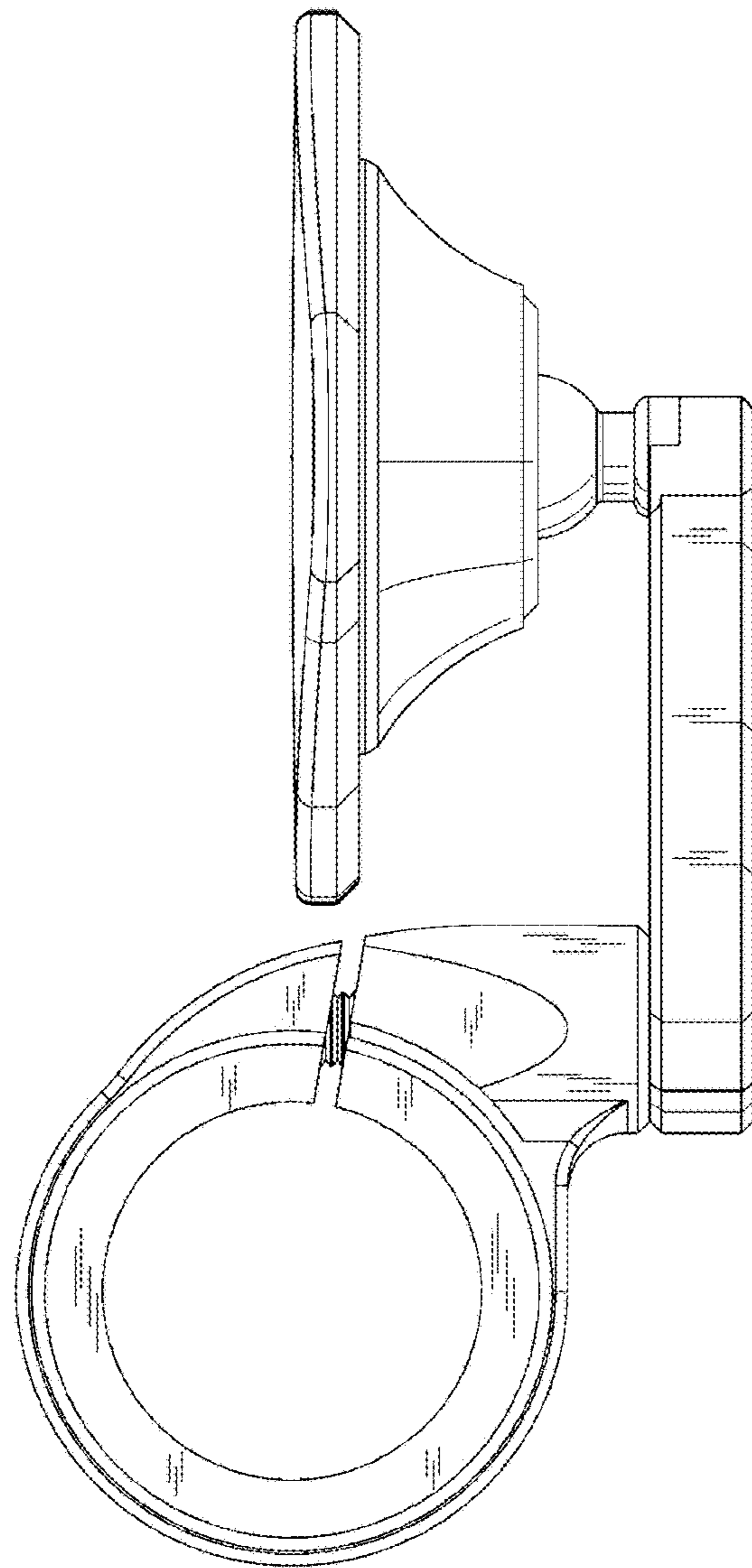


FIG. 8