



US00D839788S

(12) **United States Design Patent** (10) **Patent No.:** **US D839,788 S**  
**Keller** (45) **Date of Patent:** **\*\* Feb. 5, 2019**

(54) **MOTORCYCLE MIRROR**  
(71) Applicant: **motogadget GmbH**, Berlin (DE)  
(72) Inventor: **Garrit Keller**, Berlin (DE)  
(73) Assignee: **MOTOGADGET GMBH**, Berlin (DE)  
(\*\*) Term: **15 Years**  
(21) Appl. No.: **29/637,122**  
(22) Filed: **Feb. 14, 2018**

(30) **Foreign Application Priority Data**

Aug. 14, 2017 (EM) ..... 004147429

(51) **LOC (11) Cl.** ..... **12-16**

(52) **U.S. Cl.**  
USPC ..... **D12/114; D12/187**

(58) **Field of Classification Search**  
USPC ..... D12/114, 187, 188, 189; D6/300-303  
CPC ..... B60R 1/066; B60R 1/006; B60R 1/02;  
B60R 1/12; B62J 2099/0033; B62J 29/00  
See application file for complete search history.

(56) **References Cited**

**U.S. PATENT DOCUMENTS**

D98,695 S \* 2/1936 Ritz-Woller ..... D12/189  
D112,268 S \* 11/1938 Anderson ..... D12/189  
D116,053 S \* 8/1939 Ritz-Woller ..... D12/189  
D117,072 S \* 10/1939 Morley ..... D12/187  
D145,910 S \* 11/1946 Sarnes ..... D12/189  
2,854,893 A \* 10/1958 Henshall ..... B60R 1/06  
248/475.1  
D210,657 S \* 4/1968 Bullis, Jr. .... D12/189  
4,252,290 A \* 2/1981 Willey ..... B62J 29/00  
248/549  
D263,948 S \* 4/1982 Niggemann ..... D12/189  
4,603,944 A \* 8/1986 Greenlaw ..... G02B 7/1824  
351/50  
D285,914 S \* 9/1986 Vitaloni ..... D12/189

D376,662 S \* 12/1996 Ambrosio ..... D12/187  
D393,823 S \* 4/1998 Phillips ..... D12/189  
D395,266 S \* 6/1998 Phillips ..... D12/189  
D408,340 S \* 4/1999 Phillips ..... D12/187  
D425,841 S \* 5/2000 Turner ..... D12/189  
D426,182 S \* 6/2000 Brown ..... D12/189  
D474,432 S \* 5/2003 Good ..... D12/188  
D492,230 S \* 6/2004 Berger ..... D12/187  
D501,165 S \* 1/2005 Grove ..... D12/188  
D508,883 S \* 8/2005 Falconer ..... D12/189  
D647,444 S \* 10/2011 Manukyan ..... D12/187  
D716,208 S \* 10/2014 Rigolio ..... D12/187  
D716,209 S \* 10/2014 Rigolio ..... D12/187  
D765,570 S \* 9/2016 Vivier ..... D12/187  
D782,948 S \* 4/2017 Wu ..... D12/187  
2011/0058269 A1 \* 3/2011 Su ..... A45D 42/00  
359/882  
2012/0305614 A1 \* 12/2012 Lee ..... B60R 11/0258  
224/545

\* cited by examiner

*Primary Examiner* — Michelle E. Wilson  
*Assistant Examiner* — Clese Moore, Jr.  
(74) *Attorney, Agent, or Firm* — Bond Schoeneck &  
King, PLLC; George R. McGuire

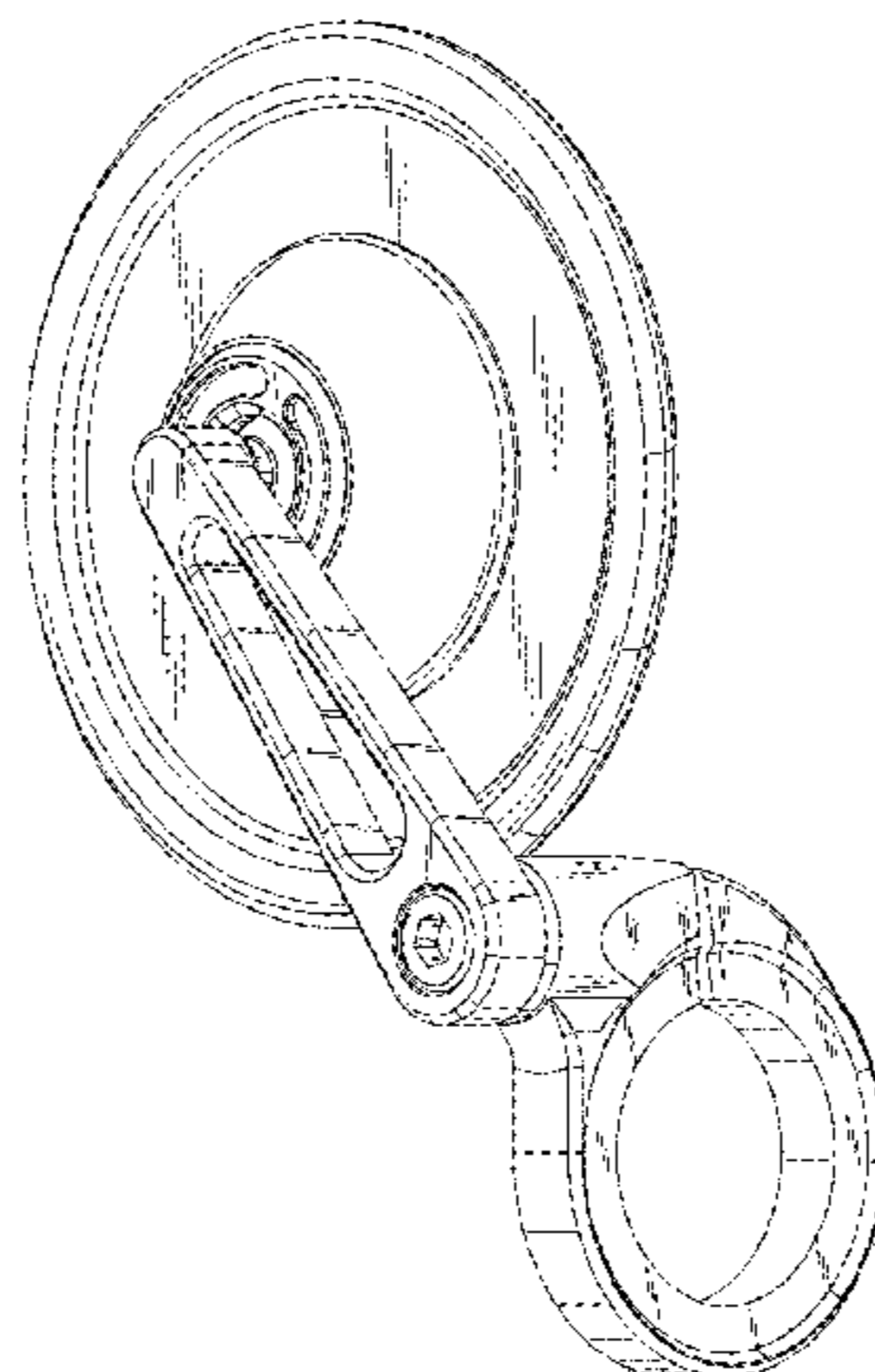
(57) **CLAIM**

The ornamental design for a motorcycle mirror, as shown and described.

**DESCRIPTION**

FIG. 1 is a first perspective view of a new and ornamental design for a motorcycle mirror;  
FIG. 2 is a second perspective view thereof;  
FIG. 3 is a front elevation view thereof;  
FIG. 4 is a rear elevation view thereof;  
FIG. 5 is a top plan view thereof;  
FIG. 6 is a bottom plan view thereof;  
FIG. 7 is a first side elevation view thereof; and,  
FIG. 8 is a second side elevation view thereof.

**1 Claim, 8 Drawing Sheets**



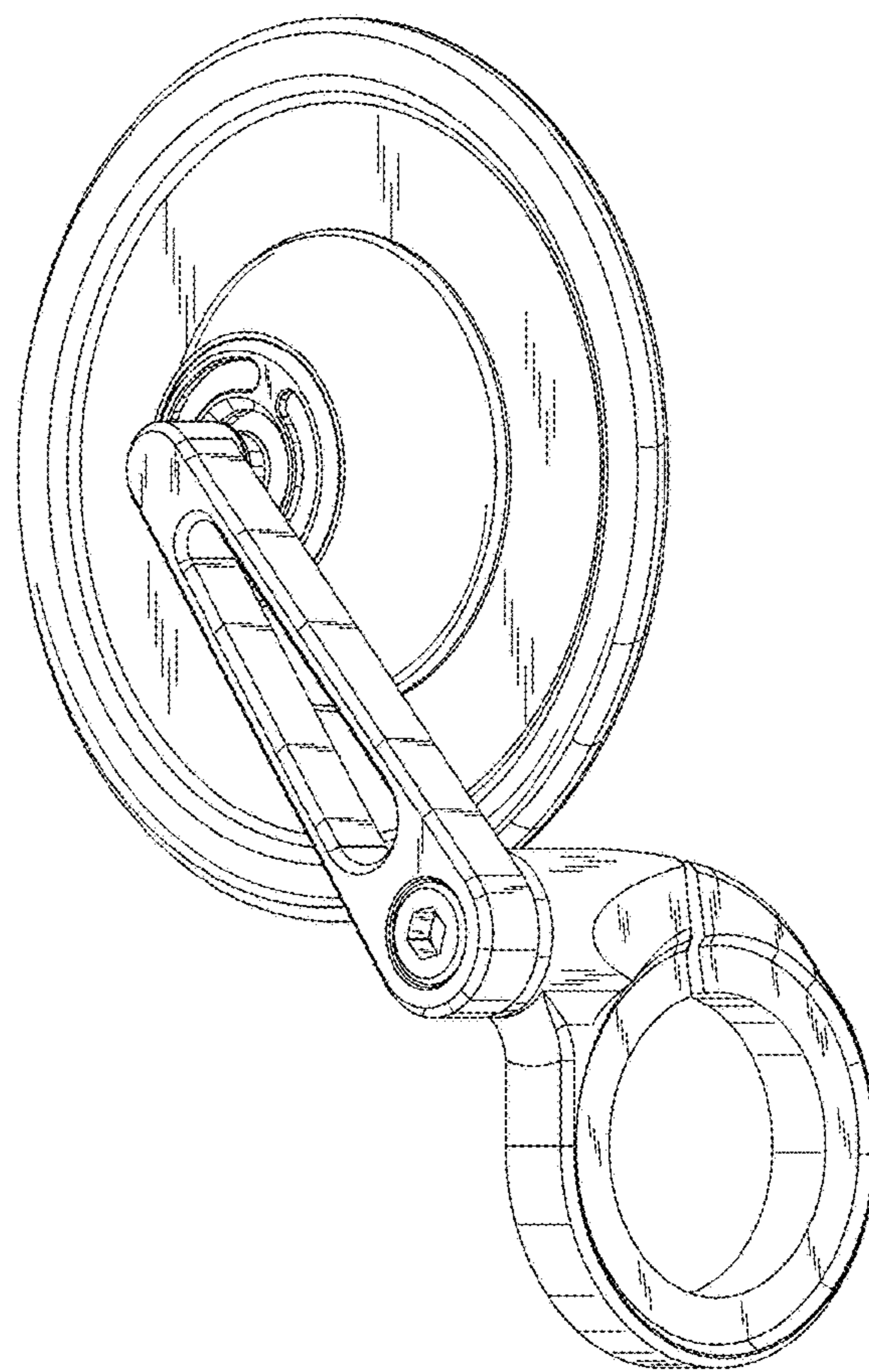


FIG. 1

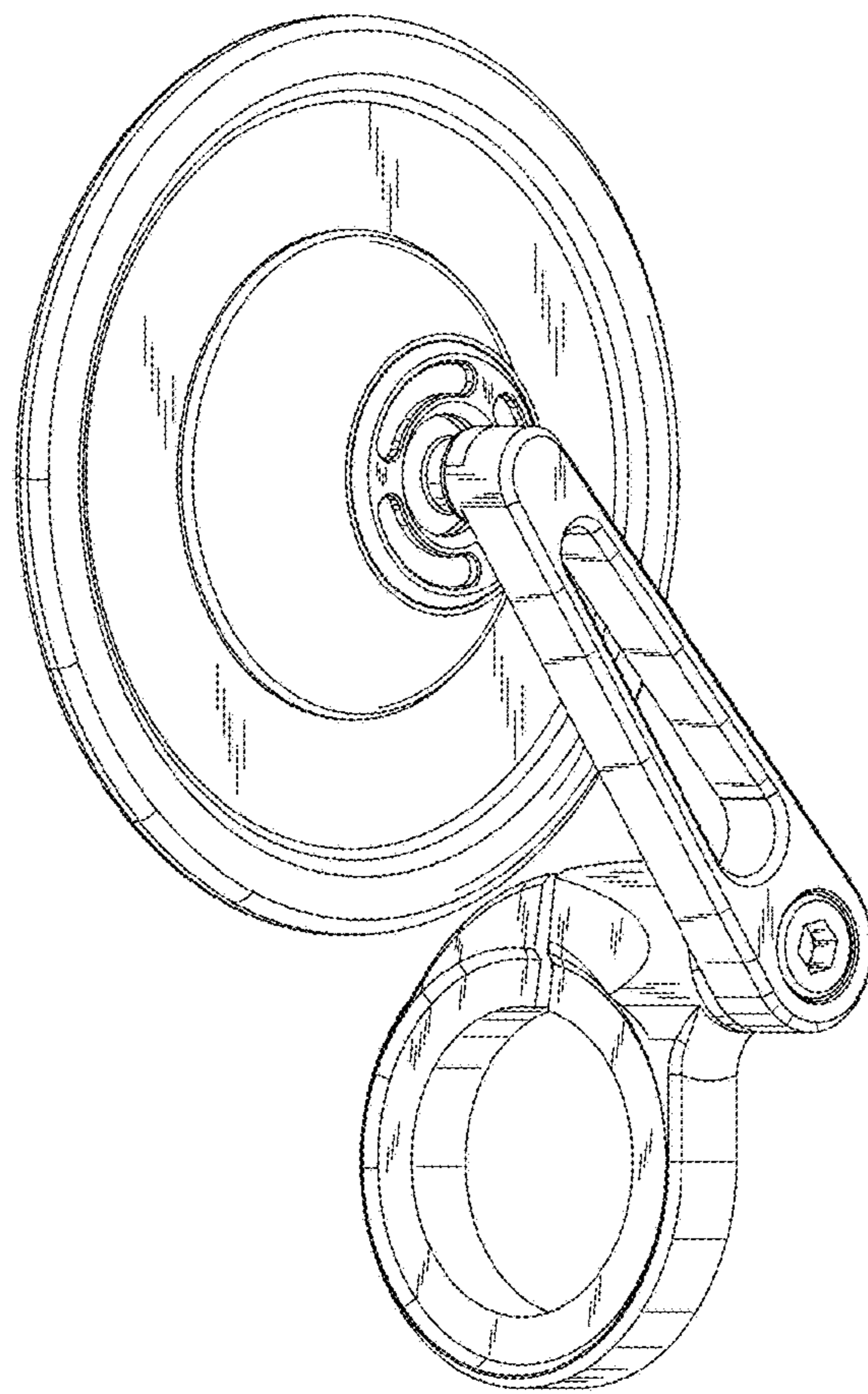


FIG. 2

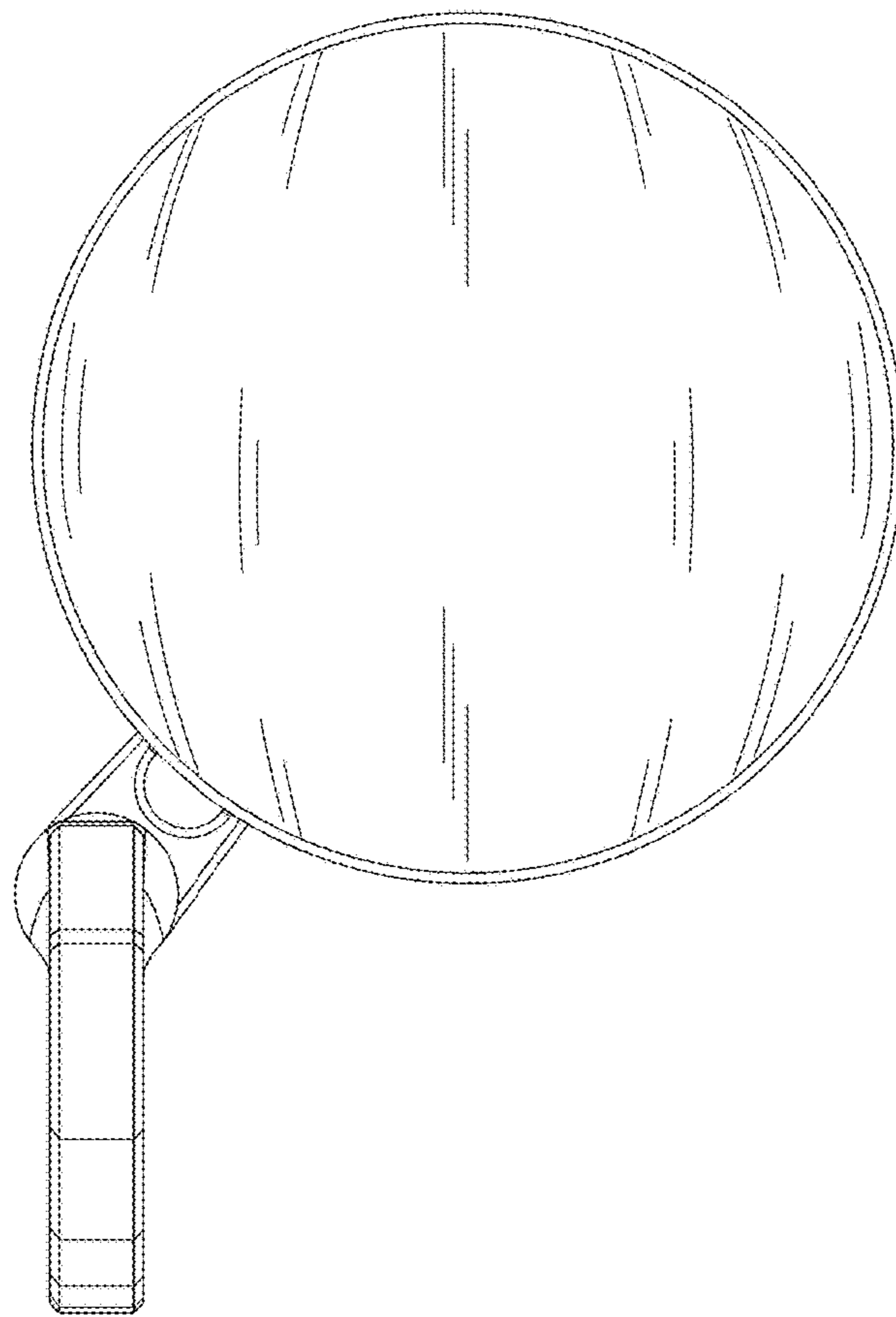


FIG. 3



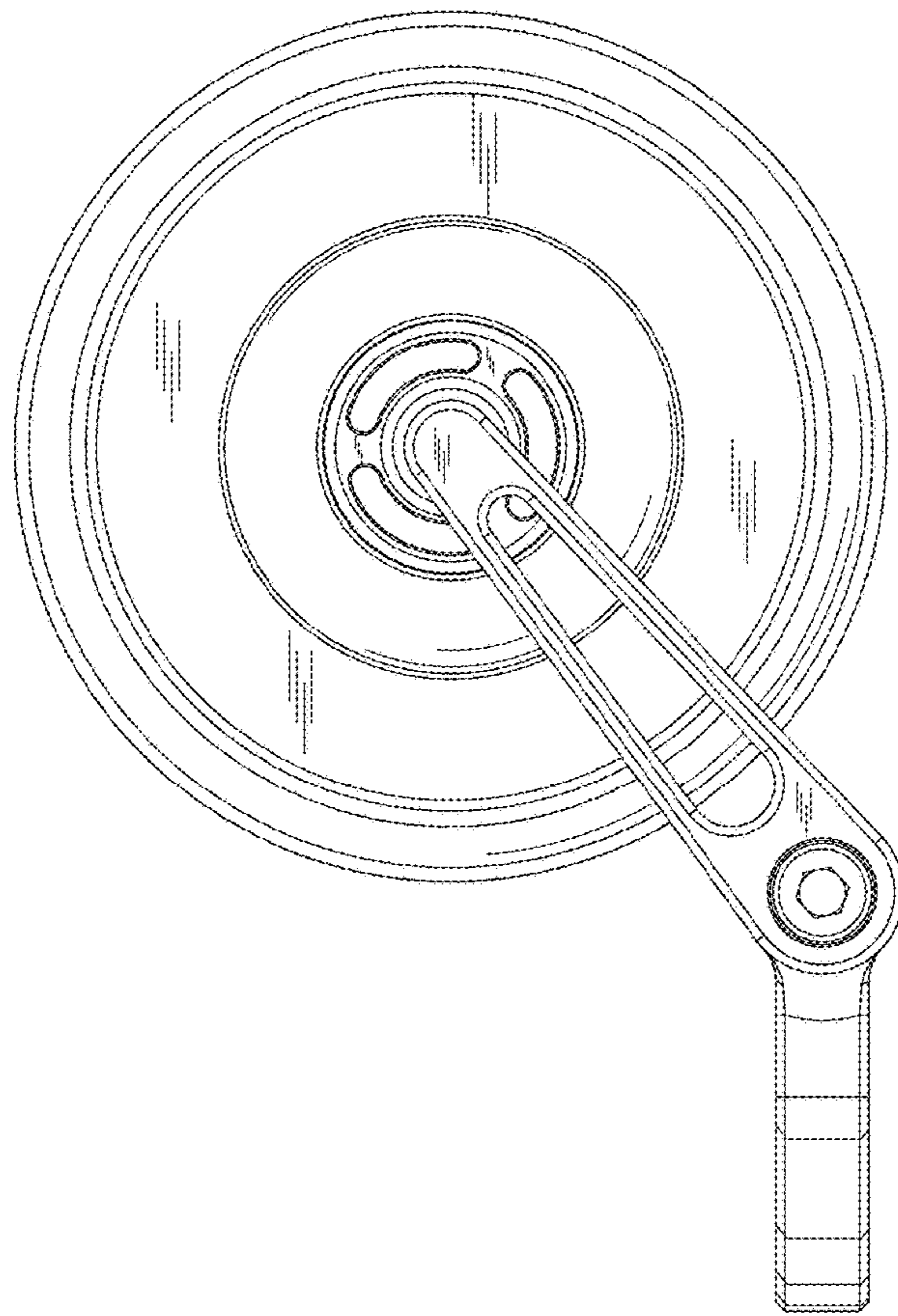


FIG. 4

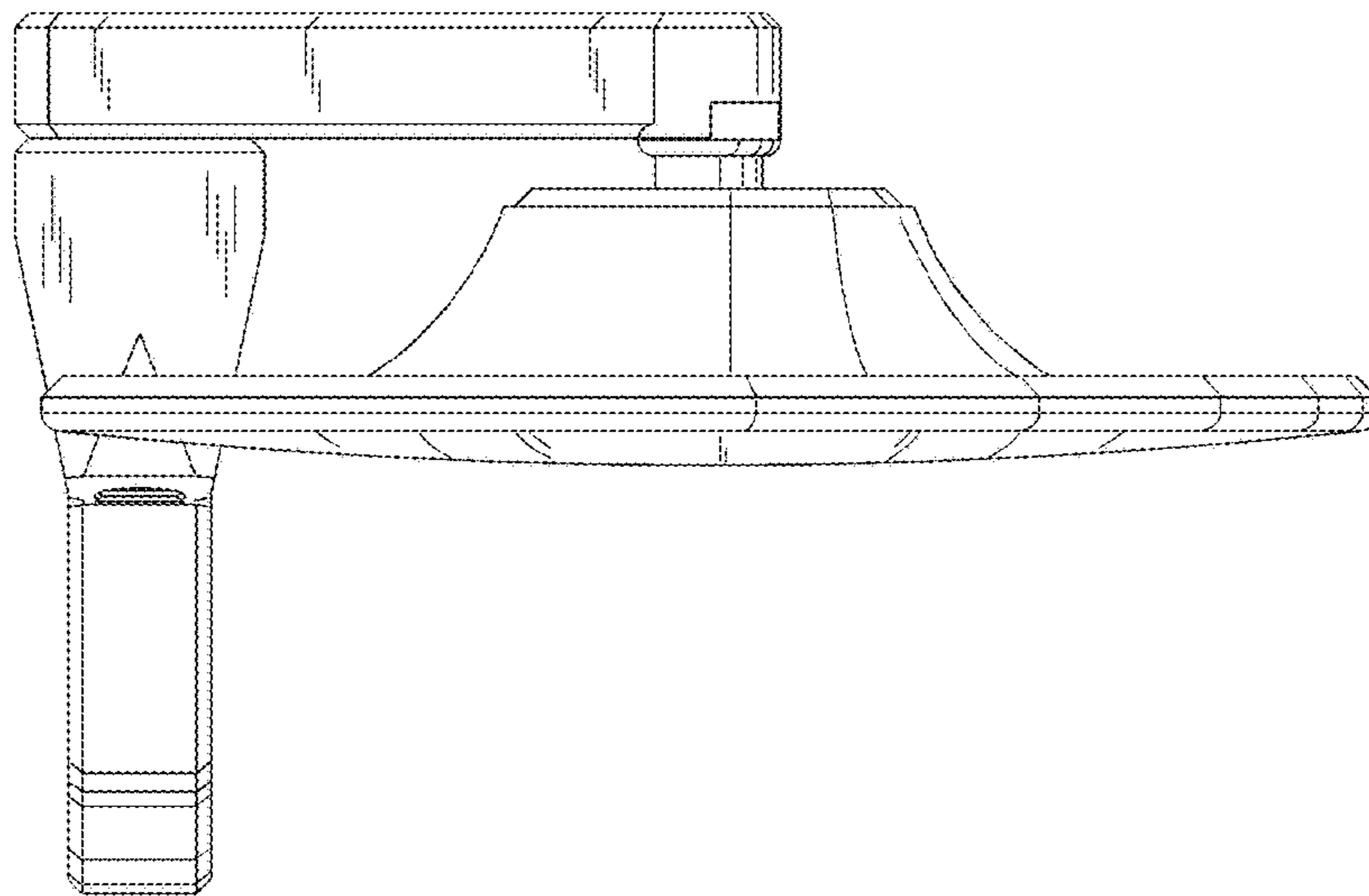


FIG. 5

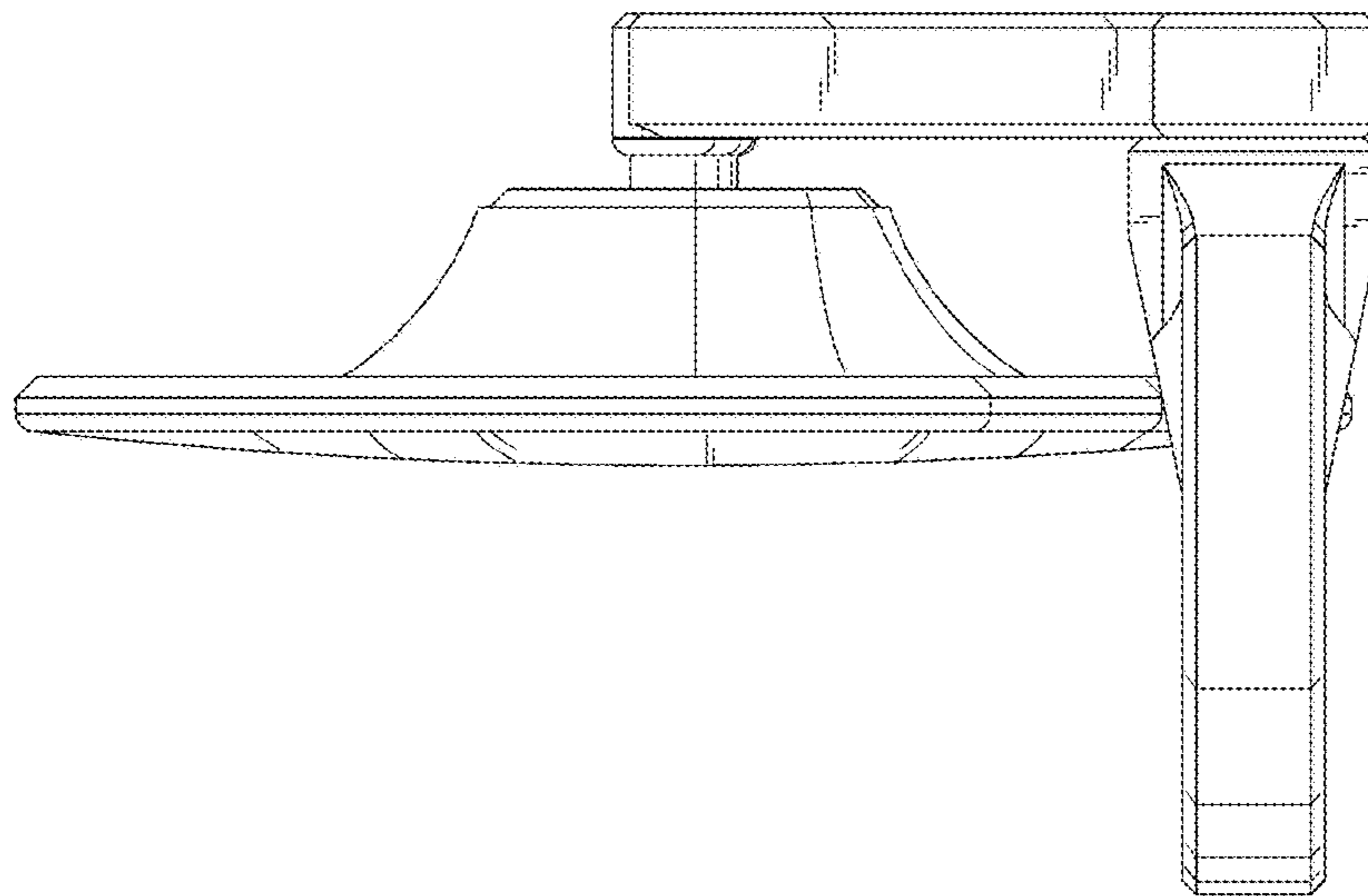


FIG. 6

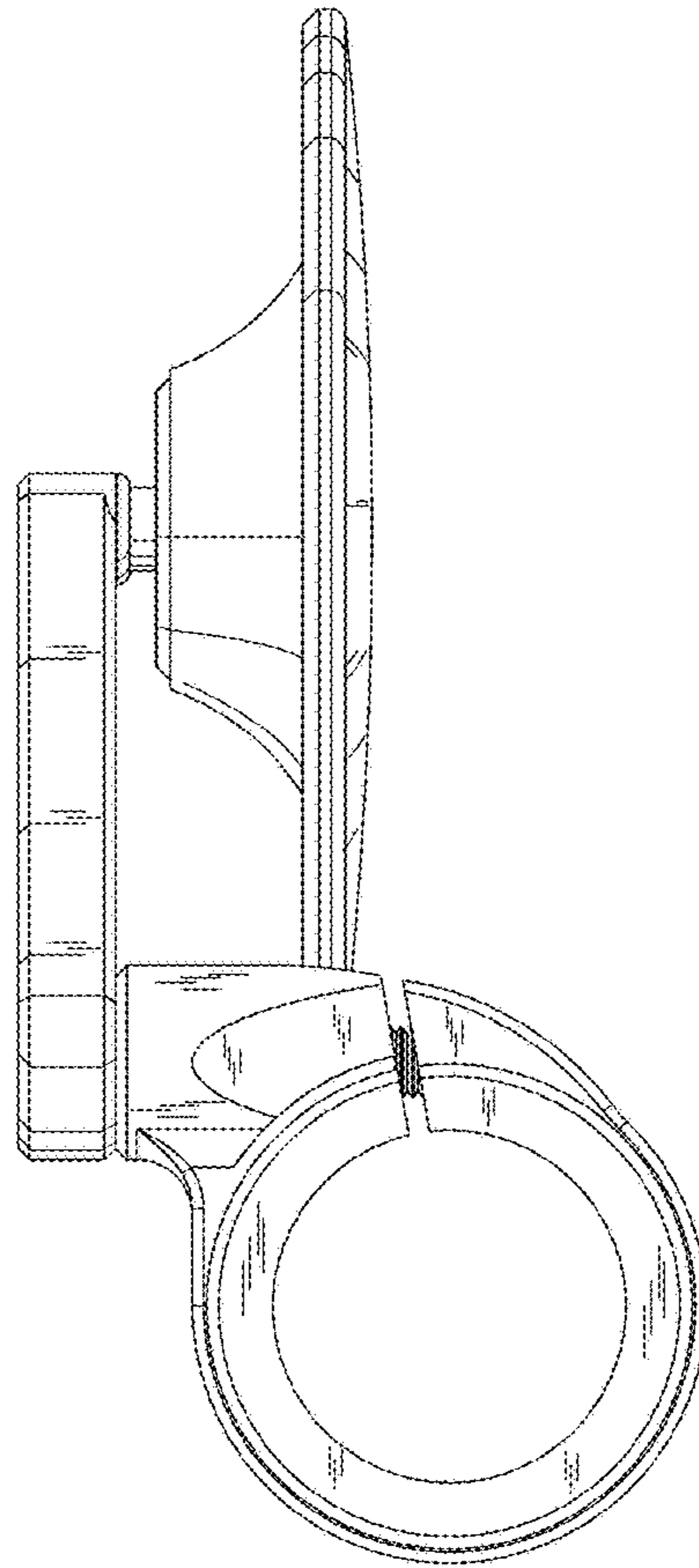


FIG. 7



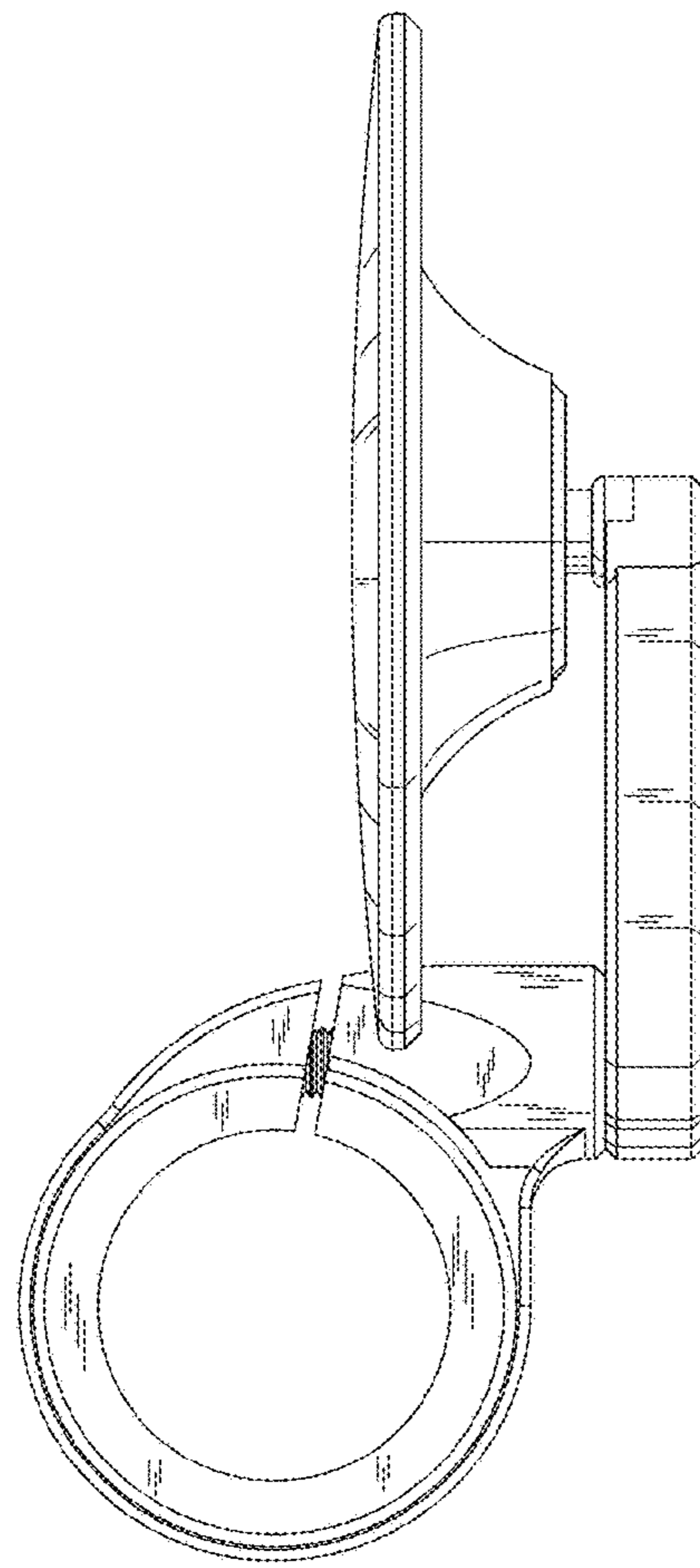


FIG. 8