



US00D839784S

(12) **United States Design Patent**  
**Sugawara et al.**

(10) **Patent No.:** **US D839,784 S**

(45) **Date of Patent:** **\*\* Feb. 5, 2019**

(54) **ELECTRIC VEHICLE**

(71) Applicant: **HONDA MOTOR CO., LTD.**, Tokyo (JP)

(72) Inventors: **Takuma Sugawara**, Wako (JP); **Rafik Ferrag**, Wako (JP)

(73) Assignee: **HONDA MOTOR CO., LTD.**, Tokyo (JP)

(\*\*) Term: **15 Years**

(21) Appl. No.: **29/625,393**

(22) Filed: **Nov. 9, 2017**

(30) **Foreign Application Priority Data**

May 16, 2017 (JP) ..... 2017-010362

(51) **LOC (11) Cl.** ..... **12-08**

(52) **U.S. Cl.**  
USPC ..... **D12/86**

(58) **Field of Classification Search**  
USPC ..... D12/86, 90-92; D21/424, 433, 434;  
296/181.1-181.5, 183.1  
CPC ..... B62D 25/00; B62D 25/06; B62D 33/00;  
B62D 35/00

See application file for complete search history.

(56) **References Cited**

**U.S. PATENT DOCUMENTS**

D615,905 S \* 5/2010 Arnell ..... D12/91  
D619,931 S \* 7/2010 Arnell ..... D12/86

D640,602 S \* 6/2011 Yoshida ..... D12/91  
D713,297 S \* 9/2014 Bose ..... D12/91  
D820,161 S \* 6/2018 Dunford ..... D12/91

\* cited by examiner

*Primary Examiner* — Melody N Brown

(74) *Attorney, Agent, or Firm* — Westerman, Hattori, Daniels & Adrian, LLP

(57) **CLAIM**

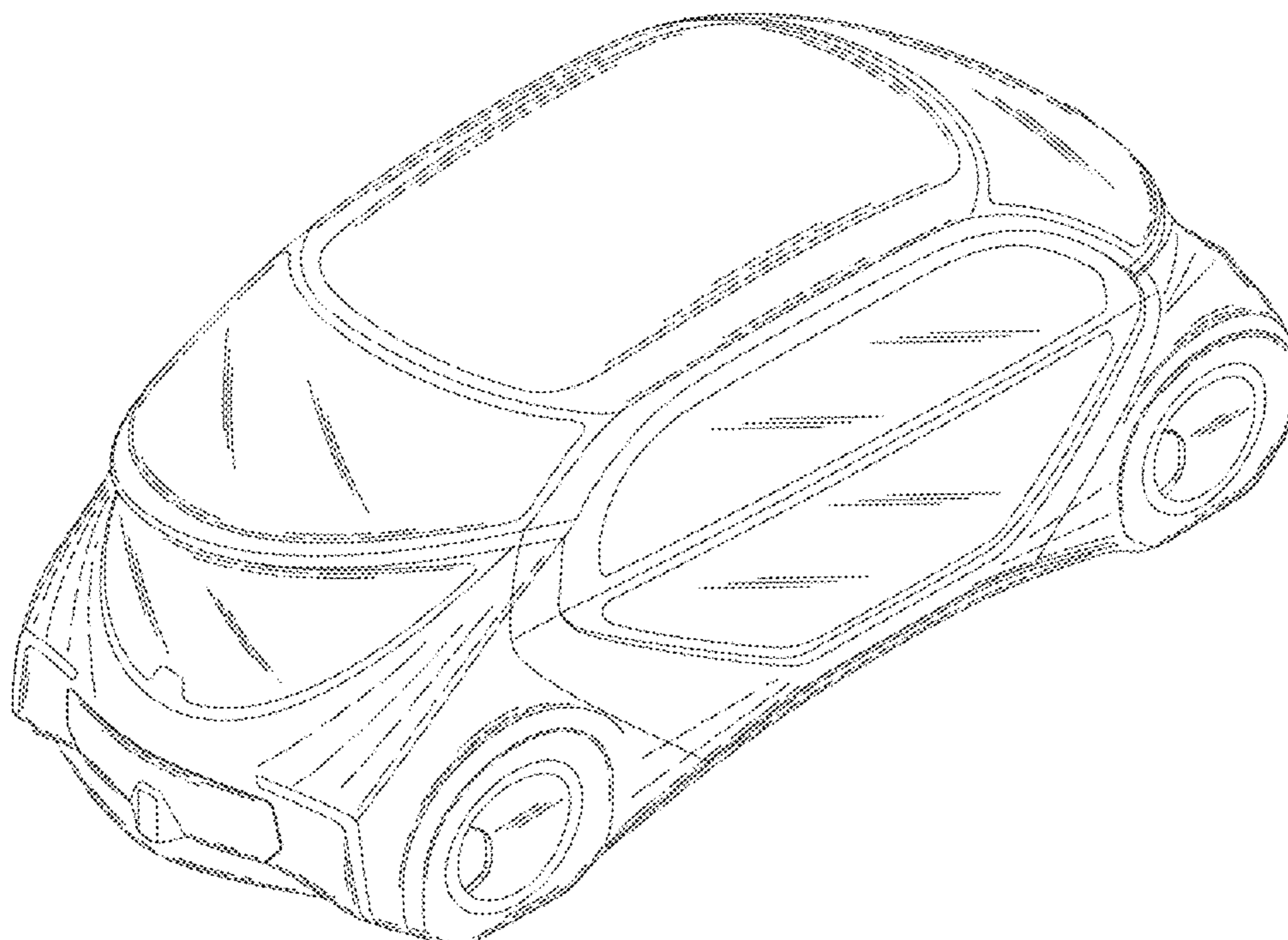
The ornamental design for an electric vehicle, as shown and described.

**DESCRIPTION**

FIG. 1 is a front and left side perspective view of an electric vehicle showing our new design;  
FIG. 2 is a rear and right side perspective view thereof;  
FIG. 3 is a left side elevational view thereof;  
FIG. 4 is a right side elevational view thereof;  
FIG. 5 is a top plan view thereof;  
FIG. 6 is a front elevational view thereof; and,  
FIG. 7 is a right side elevational view thereof.

In the attached drawings of Japanese Application, incorporated herein by reference in its entirety, bottom views are omitted because the article is a heavy object. Surface shading in each view is provided to show the shape and character of the three-dimensional object. In “Reference FIG. 1 Showing Illuminating Part” and “Reference FIG. 2 Showing Illuminating Part,” the portions tinted in color blue represent illuminating parts.

**1 Claim, 7 Drawing Sheets**



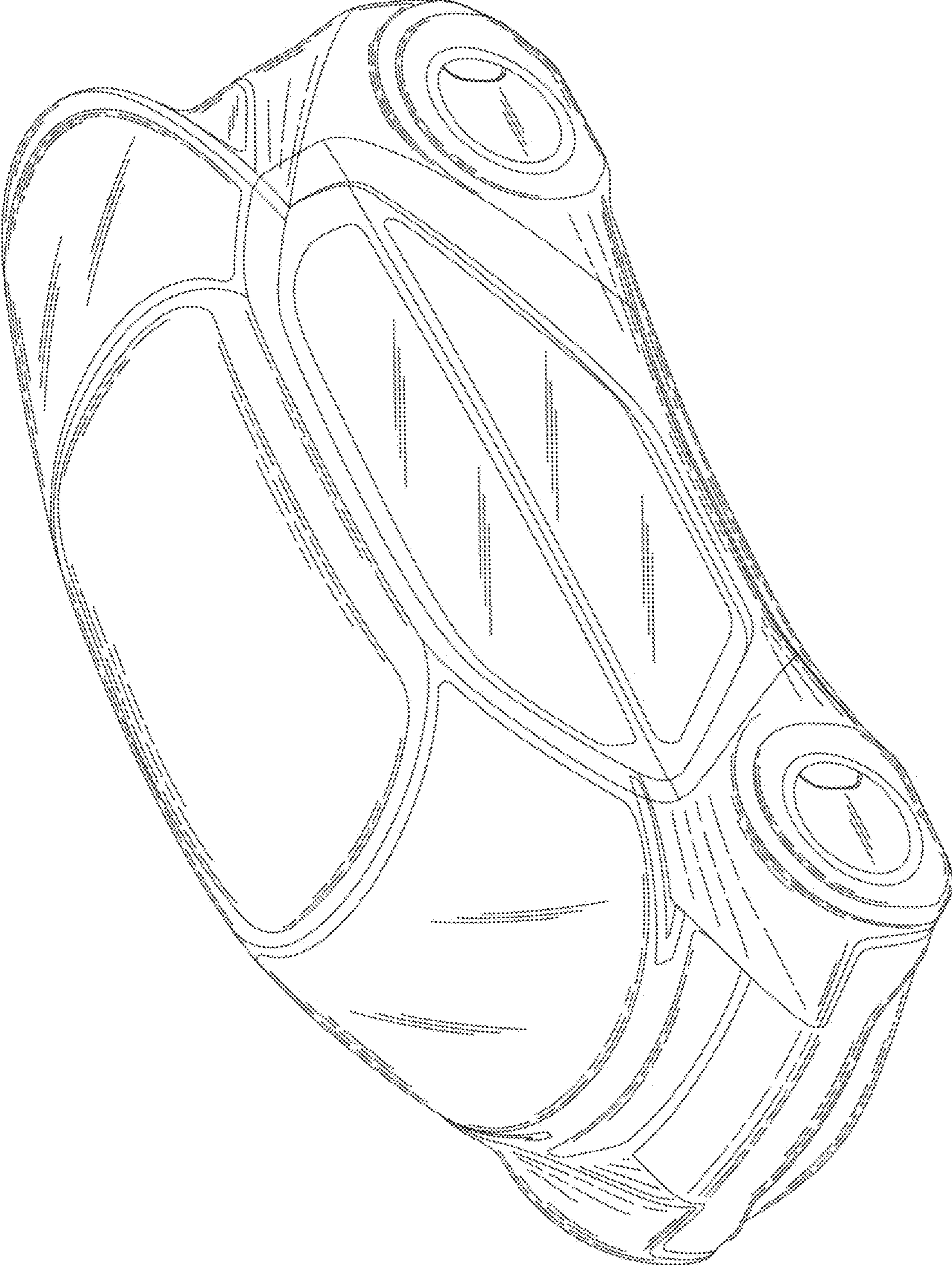


FIG. 1

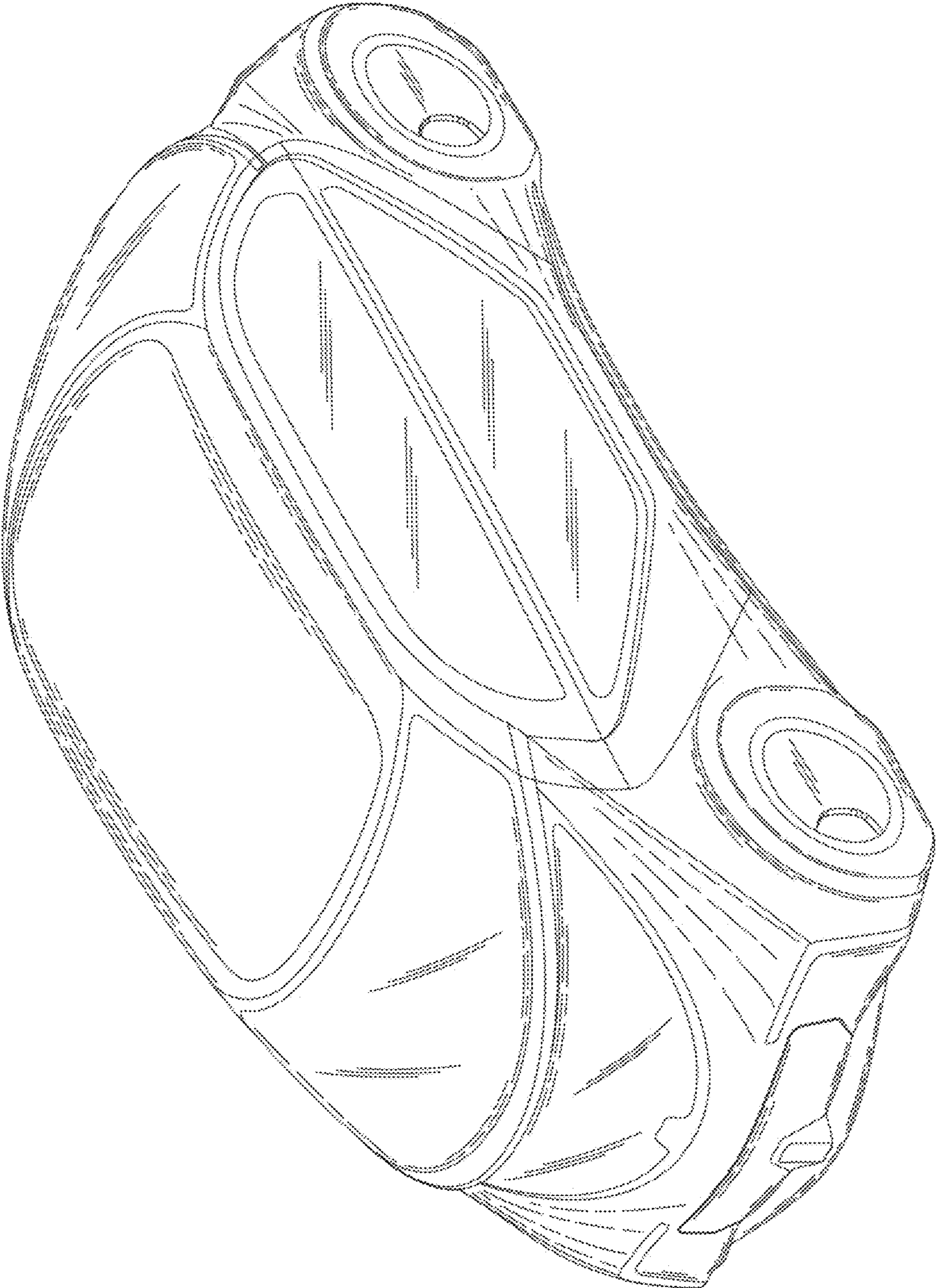


FIG.2

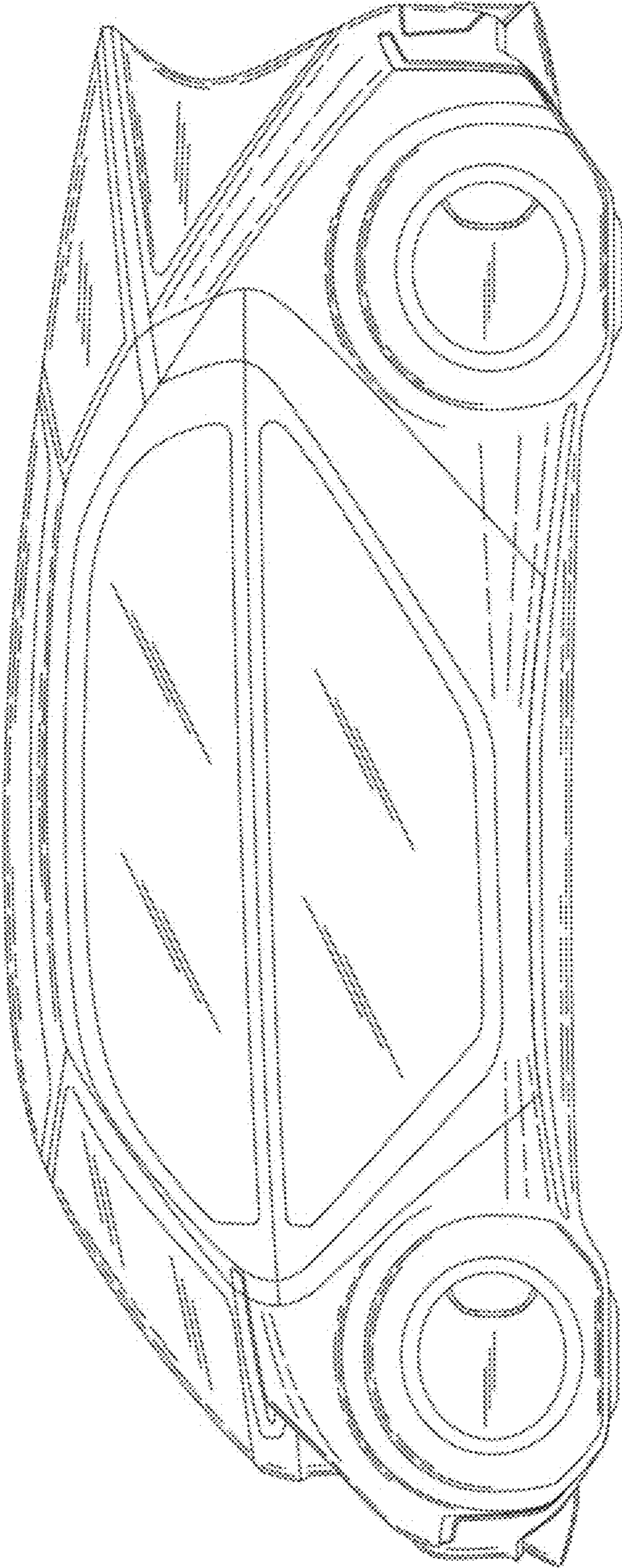


FIG.3

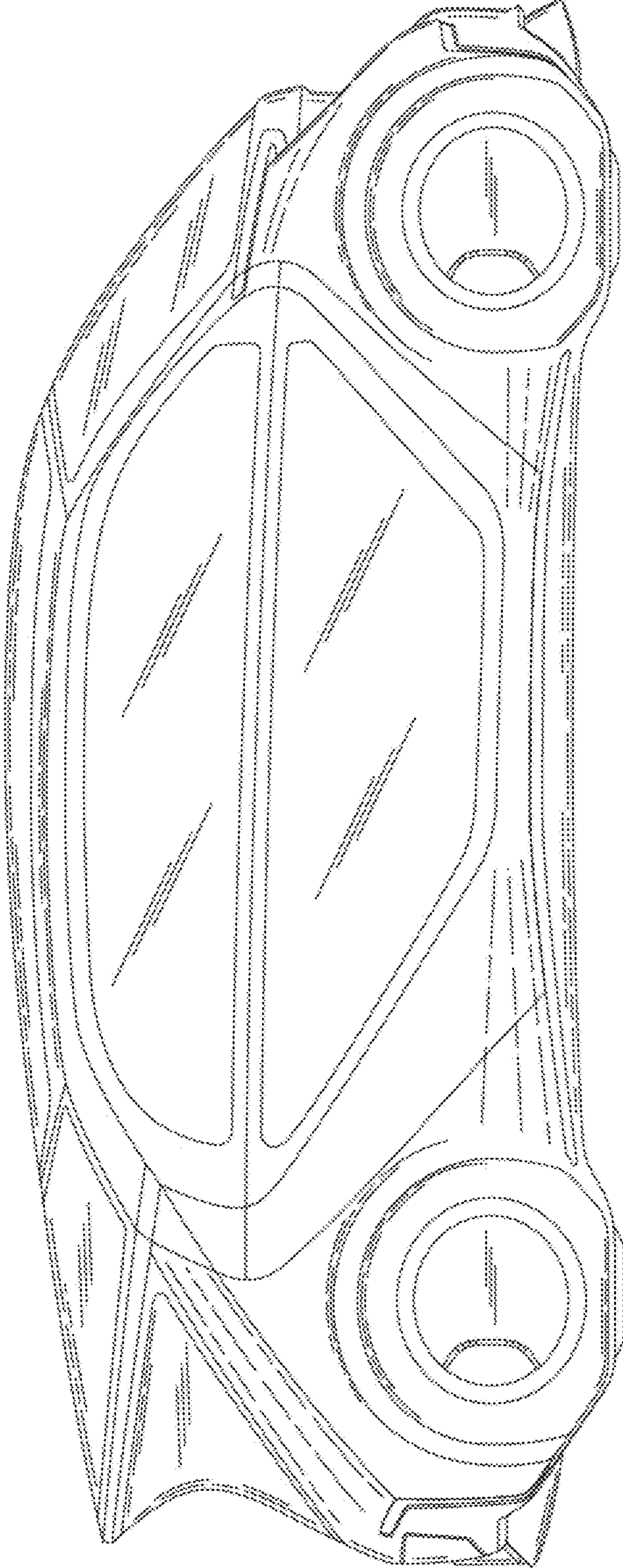


FIG.4

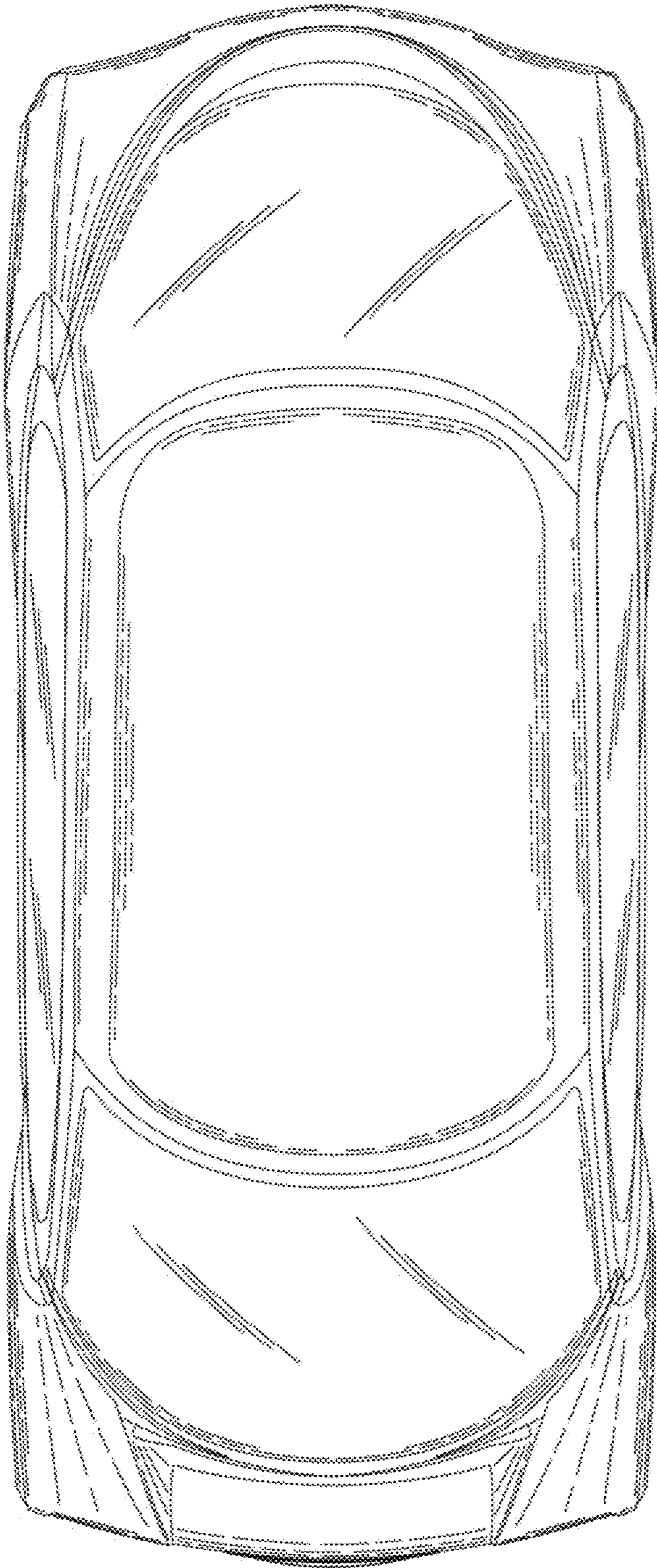


FIG.5

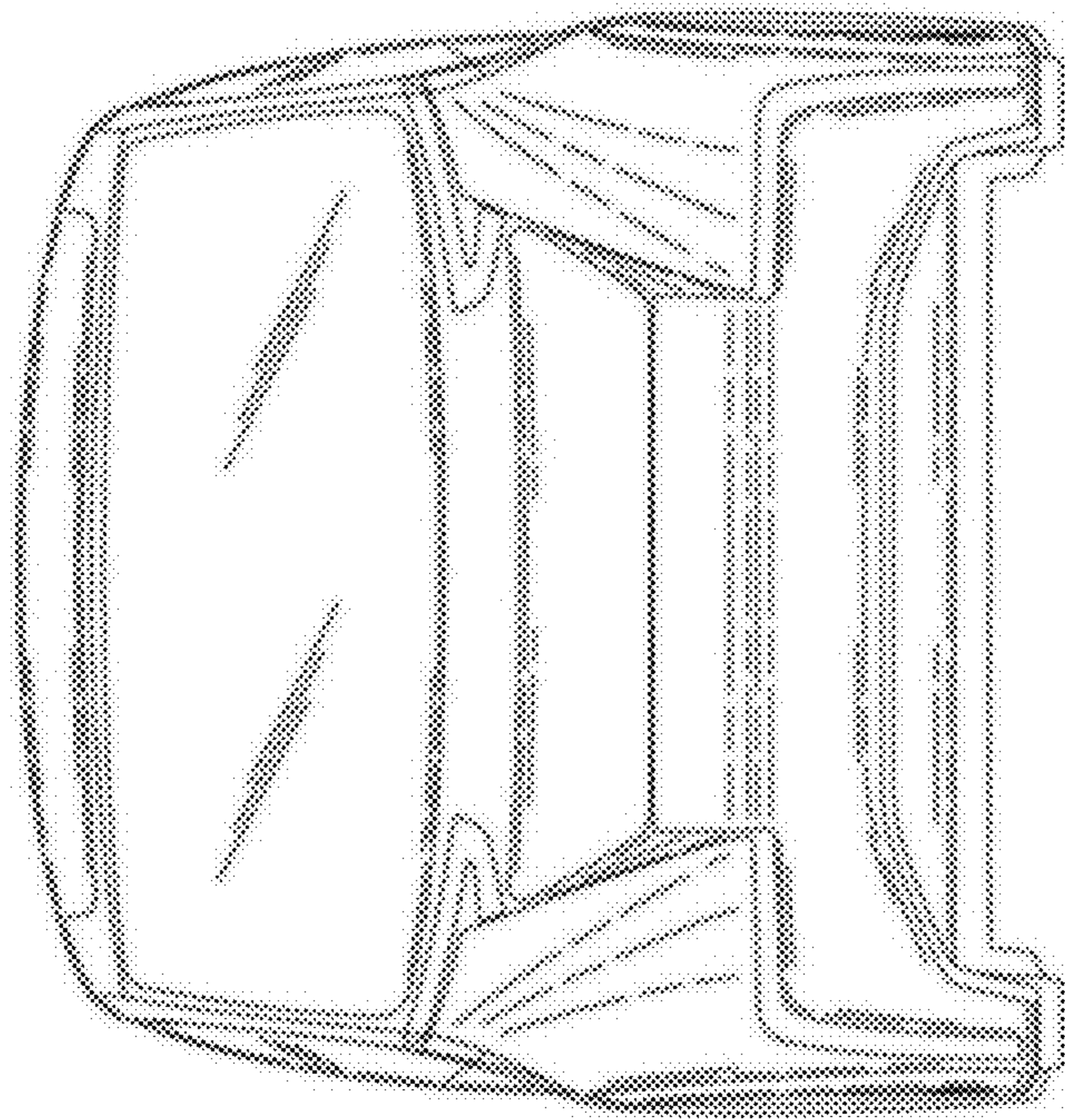


FIG.6

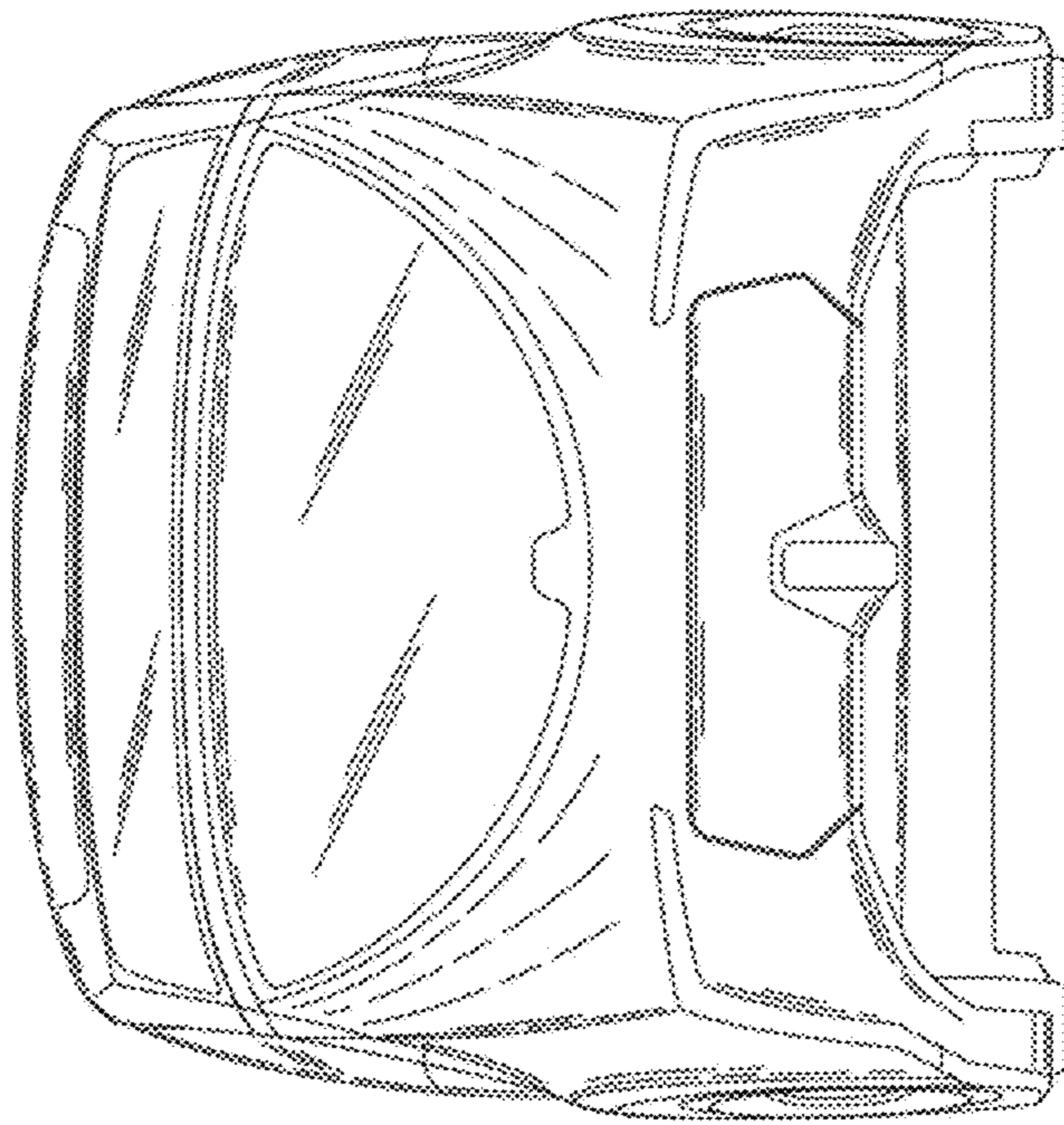


FIG.7