



US00D839783S

(12) **United States Design Patent** (10) **Patent No.:** **US D839,783 S**
Van Wingerden (45) **Date of Patent:** **** Feb. 5, 2019**

(54) **GROWING TROUGH**
(71) Applicant: **Johannes Cornelious Van Wingerden**,
Stevensburg, VA (US)
(72) Inventor: **Johannes Cornelious Van Wingerden**,
Stevensburg, VA (US)

2,312,582 A 3/1943 Patrick
2,548,910 A 4/1951 Rylander
2,639,549 A 5/1953 Wubben et al.
2,747,331 A 5/1956 Steiner
2,770,957 A 11/1956 Bronson
2,791,273 A 5/1957 Brownell
(Continued)

(**) Term: **15 Years**

FOREIGN PATENT DOCUMENTS

(21) Appl. No.: **29/602,031**

DE 4020116101516-0001 4/2017
EM 001257786-0001 2/2011
(Continued)

(22) Filed: **Apr. 27, 2017**

(51) **LOC (11) Cl.** **11-02**

(52) **U.S. Cl.**
USPC **D11/156**

OTHER PUBLICATIONS

English-language translation of WO 2014/199917 A1 (Year: 2014).
(Continued)

(58) **Field of Classification Search**
USPC D6/403–405, 556–558; D11/143–156,
D11/164
CPC . A01G 9/00; A01G 9/02; A01G 9/021; A01G
9/022; A01G 9/027; A01G 9/04; A01G
9/047; A01G 9/10; A01G 7/07; A01G
27/02; A01G 31/02; A01G 31/06
See application file for complete search history.

Primary Examiner — Elizabeth Albert
(74) *Attorney, Agent, or Firm* — Ali Sharifzadeh

(57) **CLAIM**

The ornamental design for a growing trough, as shown and described.

(56) **References Cited**

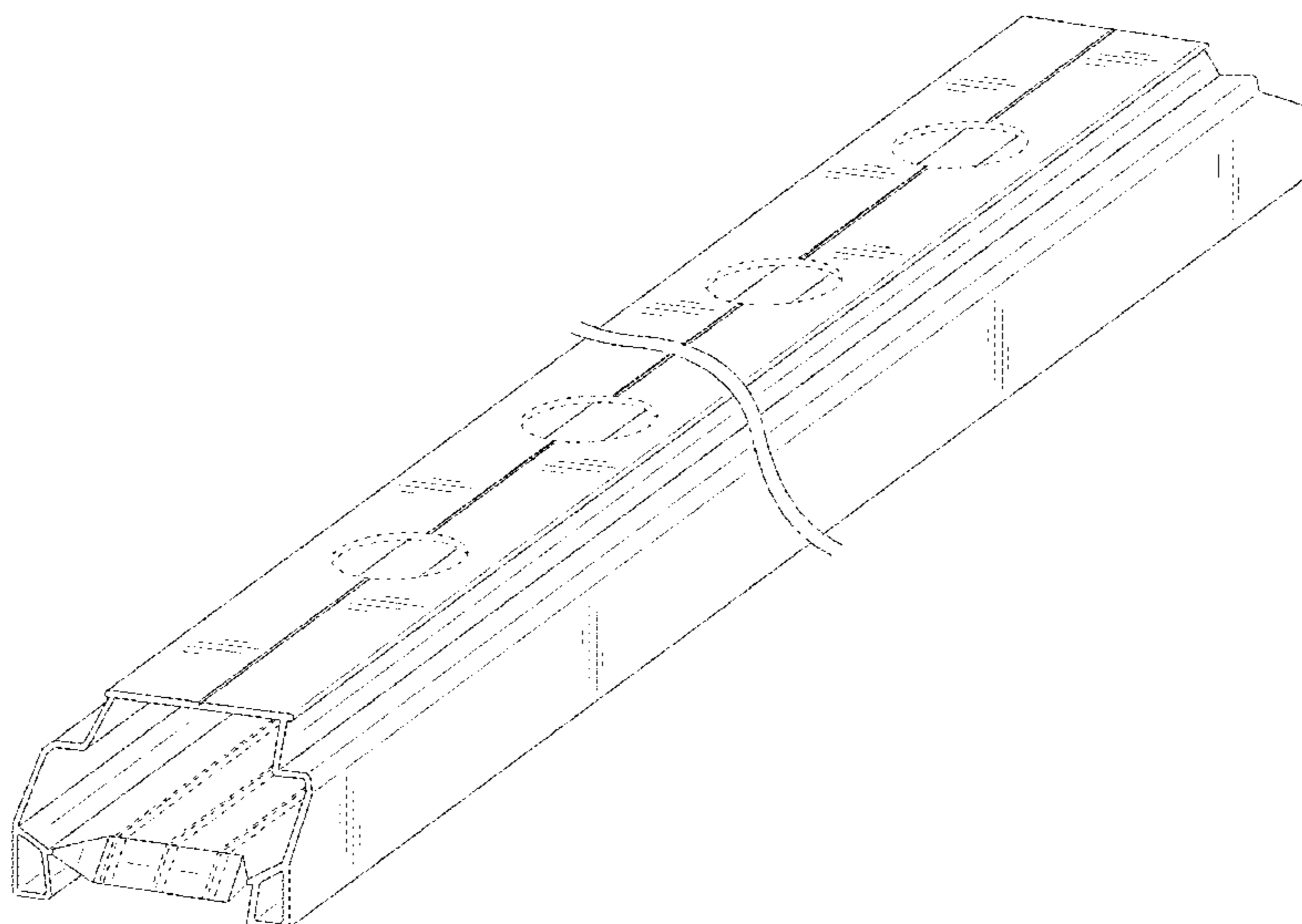
DESCRIPTION

U.S. PATENT DOCUMENTS

D24,929 S 11/1895 Nichols
D32,585 S 4/1900 Pessano
1,601,259 A * 9/1926 Pettigrew A01G 9/02
47/79
1,690,910 A * 11/1928 Shapiro A01G 9/02
211/85.23
1,778,150 A 10/1930 Sture
D82,957 S 12/1930 Rachlin
D102,968 S 1/1937 Farber
2,090,325 A 8/1937 Deubel
2,164,060 A 6/1939 Gerner
2,205,303 A 6/1940 Munsell
2,231,749 A 2/1941 Damerell
RE21,820 E 6/1941 Munsell
2,276,376 A 3/1942 Deubel

FIG. 1 is a perspective view of a growing trough showing my new design;
FIG. 2 is a left side view thereof;
FIG. 3 is a right side view thereof;
FIG. 4 is a front view thereof;
FIG. 5 is a back view thereof;
FIG. 6 is a top view thereof; and,
FIG. 7 is a bottom view thereof.
The evenly spaced broken lines represent portions of the growing trough that form no part of the claimed design. The long and short broken lines in the drawings indicate the appearance of any portion of the article between the break lines forms no part of the claimed design.

1 Claim, 7 Drawing Sheets



(56)

References Cited

U.S. PATENT DOCUMENTS

D187,184 S *	2/1960	Tangney	D11/131	5,930,951 A	8/1999	Wong	
3,199,250 A	8/1965	Sawyer			D414,413 S	9/1999	Brown	
3,288,340 A	11/1966	Shapiro et al.			6,070,360 A	6/2000	Liao et al.	
3,300,895 A *	1/1967	Dosedla et al.	A01G 31/02 47/62 C	6,138,411 A	10/2000	Lin	
D217,247 S	4/1970	Brown			6,161,332 A	12/2000	Avot	
3,581,880 A	6/1971	Iversen			6,233,870 B1	5/2001	Horibata	
3,650,521 A	3/1972	Meli			D446,157 S *	8/2001	Glenn	D11/156
3,717,953 A	2/1973	Kuhn et al.			D448,862 S	10/2001	Kieffer	
3,766,684 A	10/1973	Kato			6,298,600 B1	10/2001	Feldman	
3,826,349 A	7/1974	Stevenson			6,336,292 B1	1/2002	Boxsell	
3,850,287 A	11/1974	Petro			D454,180 S	3/2002	Wessels	
3,879,889 A	4/1975	Schmid			D468,812 S	1/2003	Doyle et al.	
3,911,632 A	10/1975	Bryfogle et al.			6,526,693 B2	3/2003	Cochran	
3,913,758 A	10/1975	Faircloth et al.			6,574,917 B2 *	6/2003	Boxsell	A01G 31/02 47/62 C
3,965,616 A	6/1976	Ridgeway			D483,443 S	12/2003	Forsberg	
3,975,860 A	8/1976	Harned et al.			D489,209 S	5/2004	Goldberg	
3,973,353 A	10/1976	Dedolph			6,814,250 B1	11/2004	Madsen	
4,006,557 A	2/1977	Sawyer			D507,204 S *	7/2005	Chang	D11/156
4,028,847 A	6/1977	Davis et al.			6,928,772 B2	8/2005	Bai et al.	
4,035,950 A	7/1977	Anselm			6,948,349 B2	9/2005	Gorski et al.	
4,044,886 A	8/1977	Sender			6,964,128 B2	11/2005	Yasuda	
4,048,754 A *	9/1977	Laux	A01G 9/02 211/104	D512,877 S	12/2005	Vovan	
4,057,931 A	11/1977	Stutelberg et al.			7,000,351 B2	2/2006	Baumann	
4,118,891 A	10/1978	Kehl et al.			7,076,921 B2	7/2006	Spradlin	
4,145,841 A	3/1979	Woolpert			7,171,781 B1	2/2007	Southern	
4,160,342 A	7/1979	Dryer			7,171,783 B1	2/2007	Fidotti	
4,179,846 A	12/1979	Carlisle			D541,148 S	4/2007	Gross et al.	
4,198,784 A	4/1980	Sukert			7,210,266 B2	5/2007	Henry et al.	
4,216,618 A	8/1980	Davis et al.			7,263,781 B2	9/2007	Sielemann	
4,236,353 A	12/1980	Sorenson			D552,218 S	10/2007	Alldredge	
4,279,101 A	7/1981	Leroux			7,340,863 B1	3/2008	Dressler	
4,312,152 A	1/1982	Drury et al.			7,412,798 B2	8/2008	Boxsell	
4,315,382 A	2/1982	Kay et al.			7,506,472 B2	3/2009	Leyns et al.	
D263,291 S *	3/1982	Paton	D11/143	7,533,493 B2	5/2009	Brusatore	
4,324,069 A	4/1982	Flagg			7,587,930 B2	9/2009	Leclerc et al.	
4,407,092 A *	10/1983	Ware	A01G 31/02 47/64	7,610,717 B2	11/2009	Luken et al.	
4,476,651 A	10/1984	Drury			7,624,535 B2	12/2009	Schmidt	
4,557,070 A	12/1985	Oyama			D612,732 S	3/2010	Takata et al.	
4,578,898 A	4/1986	Greenbaum			7,690,150 B2	4/2010	Orschulik	
4,604,837 A	8/1986	Beam			D614,994 S *	5/2010	Dipaolo	D11/164
4,715,144 A	12/1987	Lee			7,730,672 B2	6/2010	Knudson et al.	
4,837,973 A	6/1989	Snekkenes			7,832,144 B2	11/2010	Corradi	
D311,589 S	10/1990	Benchimol et al.			D628,443 S	12/2010	McTaggart	
4,978,023 A	12/1990	Behlmann et al.			7,874,102 B2	1/2011	Hilbert	
4,989,365 A	2/1991	Roger			D631,683 S *	2/2011	Ash	D6/558
5,010,686 A *	4/1991	Rivest	A01G 31/02 47/62 C	7,972,840 B2	7/2011	Hasegawa et al.	
5,048,434 A	9/1991	Forster et al.			D666,524 S	9/2012	Aoyama	
5,117,581 A *	6/1992	Green	A01G 9/00 47/18	D673,054 S	12/2012	Kim et al.	
5,125,184 A	6/1992	Anderson			D674,889 S	1/2013	Mims	
5,131,185 A	7/1992	Van Wingerden			D677,156 S	3/2013	Wu	
5,168,664 A	12/1992	Deutschmann, Sr.			D684,857 S	6/2013	Zhen	
5,201,141 A	4/1993	Ahm			8,474,179 B2	7/2013	Jung	
5,225,342 A	7/1993	Farrell			D688,891 S *	9/2013	Caruso	D11/156
5,282,335 A	2/1994	Holtkamp, Jr.			8,549,788 B2	10/2013	Bryan, III	
5,323,567 A	6/1994	Nakayama et al.			D694,586 S	12/2013	Miller et al.	
D351,668 S	10/1994	Lim et al.			D697,801 S	1/2014	Rapparini	
5,385,589 A	1/1995	Kratky			D708,506 S	7/2014	Wu	
5,459,960 A	10/1995	Manlove			D718,847 S	12/2014	Haley et al.	
5,491,998 A	2/1996	Hansen			D718,876 S	12/2014	Smedberg	
5,533,299 A *	7/1996	Kratky	A01G 31/02 47/18	D719,084 S	12/2014	Kruse	
D376,307 S	12/1996	Burgasser et al.			8,984,807 B2 *	3/2015	Hansen	A01G 31/02 47/60
5,586,656 A	12/1996	Abrums			D726,888 S	4/2015	Johansen	
D385,507 S *	10/1997	Hulsebus	D11/156	9,038,312 B2	5/2015	Harbaugh	
5,761,848 A	6/1998	Manlove			D736,900 S	8/2015	Frelier	
D395,822 S	7/1998	Keal et al.			9,220,207 B2	12/2015	Storey	
5,806,241 A	9/1998	Byland et al.			9,266,517 B2	2/2016	Knechtges et al.	
5,826,375 A	10/1998	Black			9,341,266 B1	5/2016	Vivatson	
5,911,659 A	6/1999	Serano			9,510,524 B2	12/2016	Anderson et al.	
					9,534,391 B2	1/2017	Haley et al.	
					9,534,842 B1	1/2017	Rivera et al.	
					D789,499 S	6/2017	Slorach	
					9,795,089 B2 *	10/2017	Kantola	A01G 31/00
					2005/0086861 A1	4/2005	Atchley	
					2005/0274073 A1	12/2005	Brooke et al.	
					2006/0150497 A1	7/2006	Kaprielian	
					2006/0288640 A1	12/2006	Leithold	
					2008/0230010 A1	9/2008	Buck	

(56)

References Cited

U.S. PATENT DOCUMENTS

2008/0302010 A1* 12/2008 Cordon A01G 9/047
47/59 R

2009/0056215 A1 3/2009 Yang
2009/0151269 A1 6/2009 Eiger et al.
2009/0166369 A1 7/2009 Savicki
2009/0241417 A1 10/2009 Smith
2009/0278641 A1 11/2009 Hedayat
2010/0147848 A1 6/2010 Rider, Jr. et al.
2010/0170154 A1 6/2010 Ahn
2011/0114800 A1 5/2011 Gramling
2011/0138698 A1 6/2011 Neumann
2012/0180818 A1 7/2012 Janesky
2012/0324787 A1* 12/2012 Daas A01G 31/02
47/65.8

2013/0056475 A1 3/2013 Buck
2013/0133252 A1 5/2013 Harbaugh
2014/0041297 A1 2/2014 Miel et al.
2014/0215919 A1 8/2014 Harbaugh
2014/0223818 A1 8/2014 Coghlan
2015/0040474 A1 2/2015 Lee et al.
2015/0068121 A1 3/2015 Probst et al.
2015/0082692 A1 3/2015 Wardenburg et al.
2015/0184393 A1 7/2015 Conner
2015/0216131 A1* 8/2015 Van Wingerden A01G 31/02
47/59 R

2015/0237807 A1 8/2015 Valiquette
2015/0305261 A1 10/2015 Wilson et al.
2015/0342127 A1* 12/2015 Gallant A01G 9/02
47/20.1

2016/0136831 A1 3/2016 Bonnet et al.
2016/0100535 A1 4/2016 Daugirdas
2016/0183486 A1 6/2016 Kabakov
2016/0192607 A1 7/2016 Kitagawa

2016/0223418 A1 8/2016 Wüest et al.
2016/0376790 A1 12/2016 Yildiz
2017/0086399 A1 3/2017 Anderson et al.
2017/0119971 A1 5/2017 Marsh et al.
2017/0231167 A1* 8/2017 Storey A01G 31/02
47/62 C

2017/0254088 A1 9/2017 Axford

FOREIGN PATENT DOCUMENTS

EP 1407987 A1 4/2004
GB 2077082 A 12/1981
JP H03 127919 A 5/1991
WO WO-2014/199917 A1 12/2014

OTHER PUBLICATIONS

Large and Small Mask Clicker Dies from ScrapWorksArmory on Etsy Studio, website 2017, <https://www.etsystudio.com/listing/231288759/large-and-small-mask-clicker-dies>, [visited Sep. 11, 2017].
Old-Fashioned Cast Iron Shelf Bracket—Signature Hardware, <http://www.signaturehardware.com/old-fashioned-cast-iron-shelf-bracket.html#pr-header-back-to-top-link>, [visited Sep. 11, 2017].
Steel Rule Dies & Clicker Dies, website 2006, <http://swansondie.com/clicker.htm>, [visited Sep. 11, 2017].
Autopot Irrigation Watering System Parts/Spare Accessories Connectors Hydro IWS | eBay, <http://www.ebay.com/itm/Autopot-Irrigation-Watering-System-Parts-Accessories-Connectors-Hydro-ponic-/121502209218>, [visited Sep. 15, 2017].
“International Search Report and Written Opinion Issued in PCT Application No. PCT/US2017/044031”, dated Apr. 20, 2018, 14 Pages.

* cited by examiner

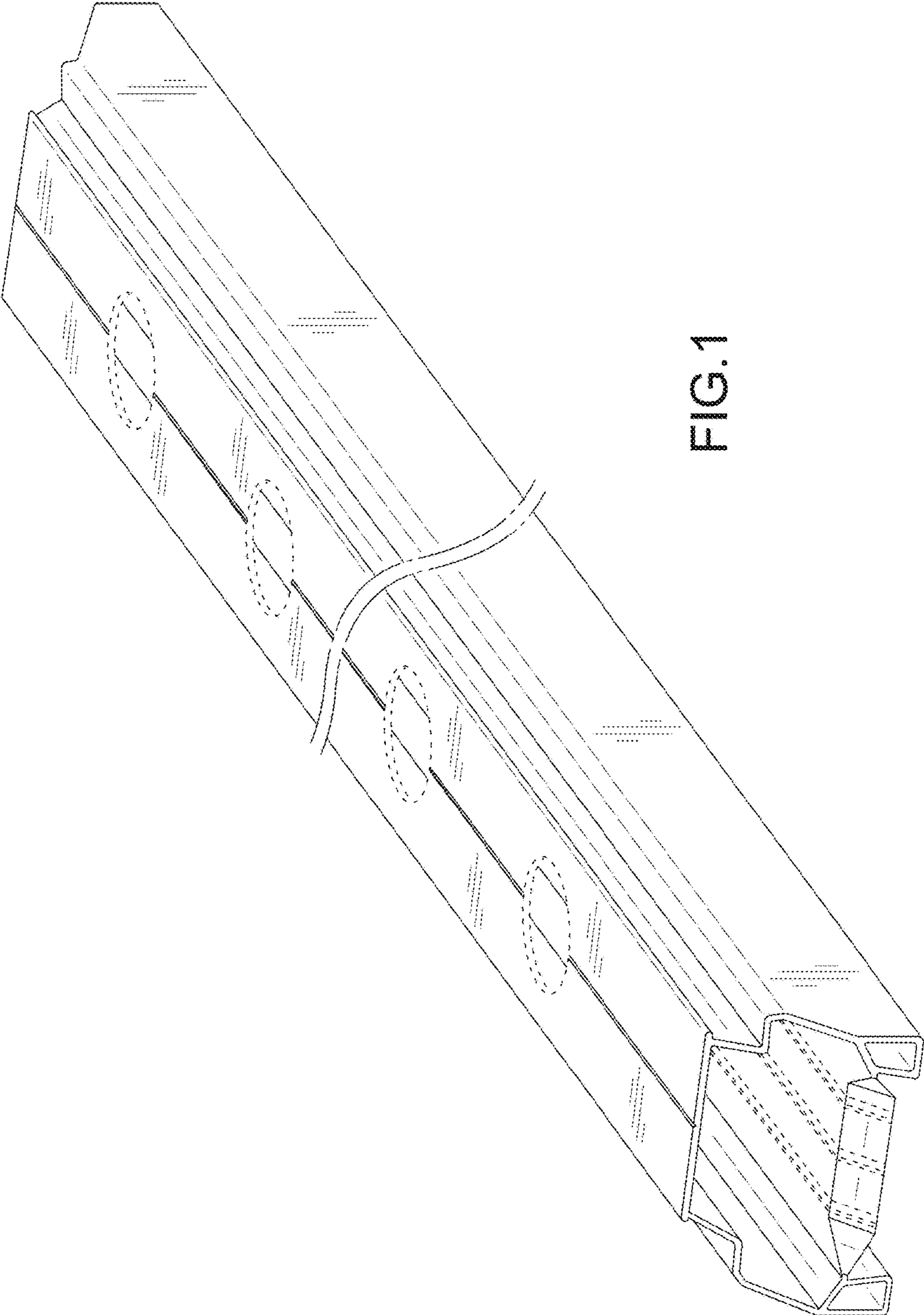


FIG.1

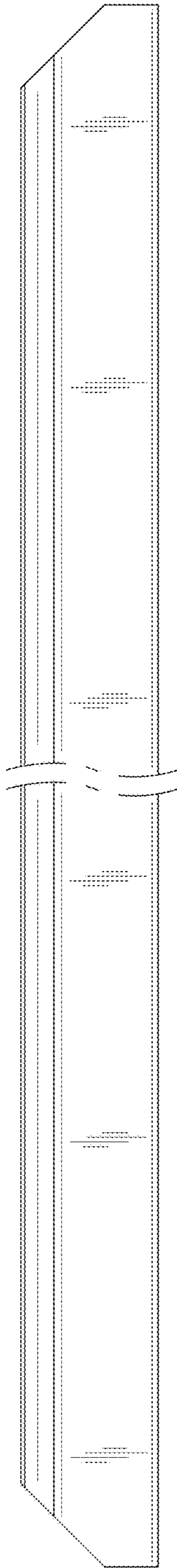


FIG.2

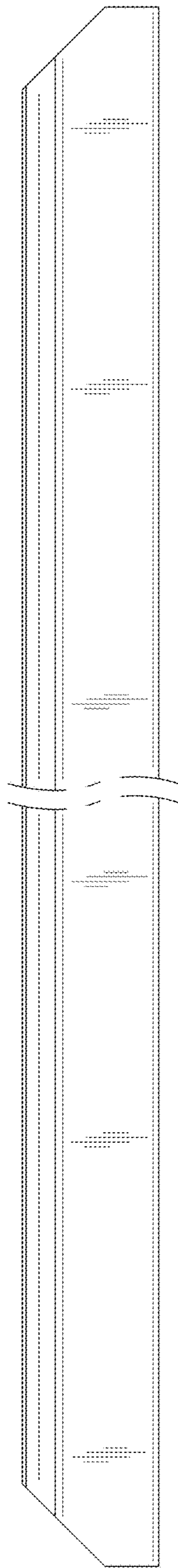


FIG.3

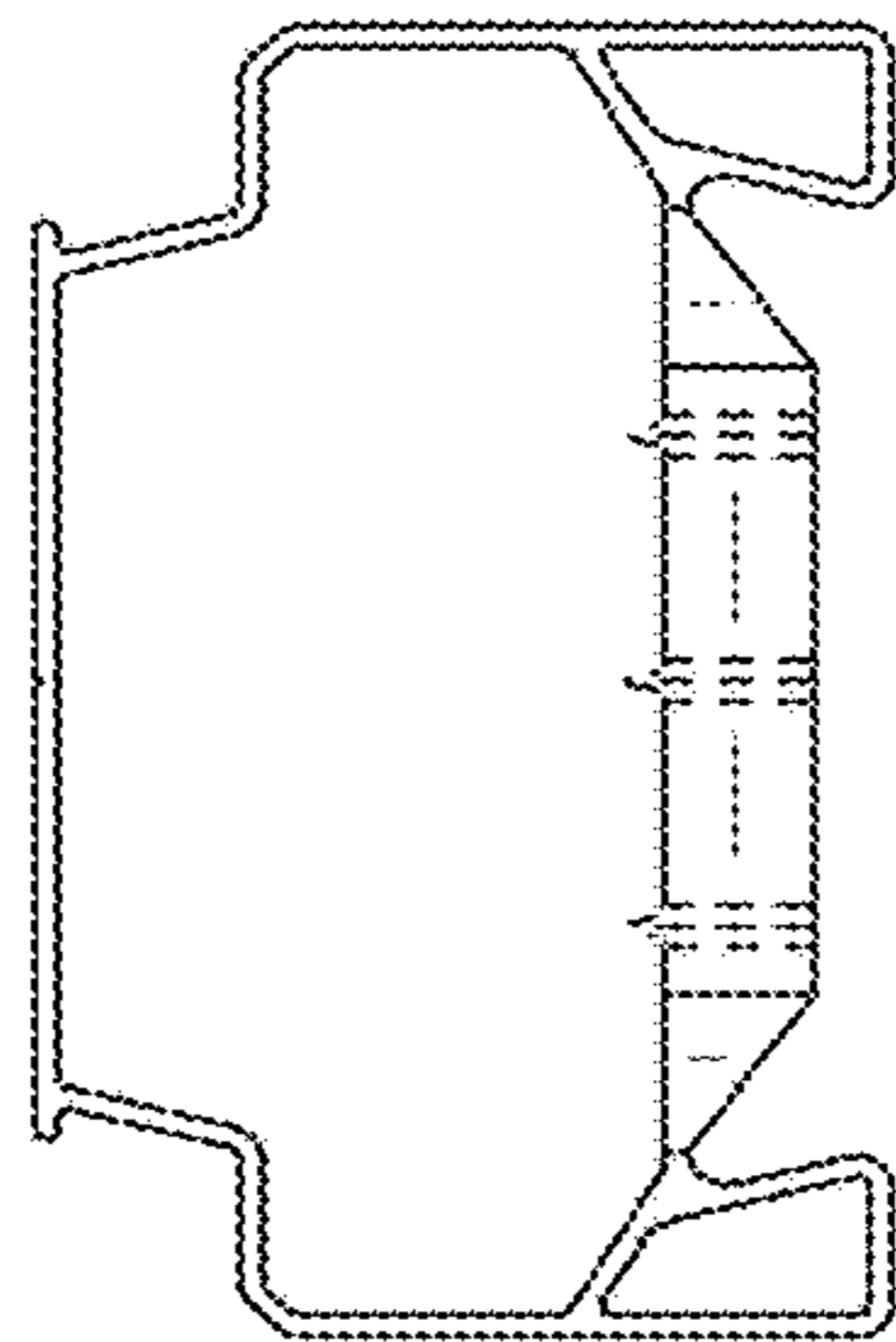


FIG.4

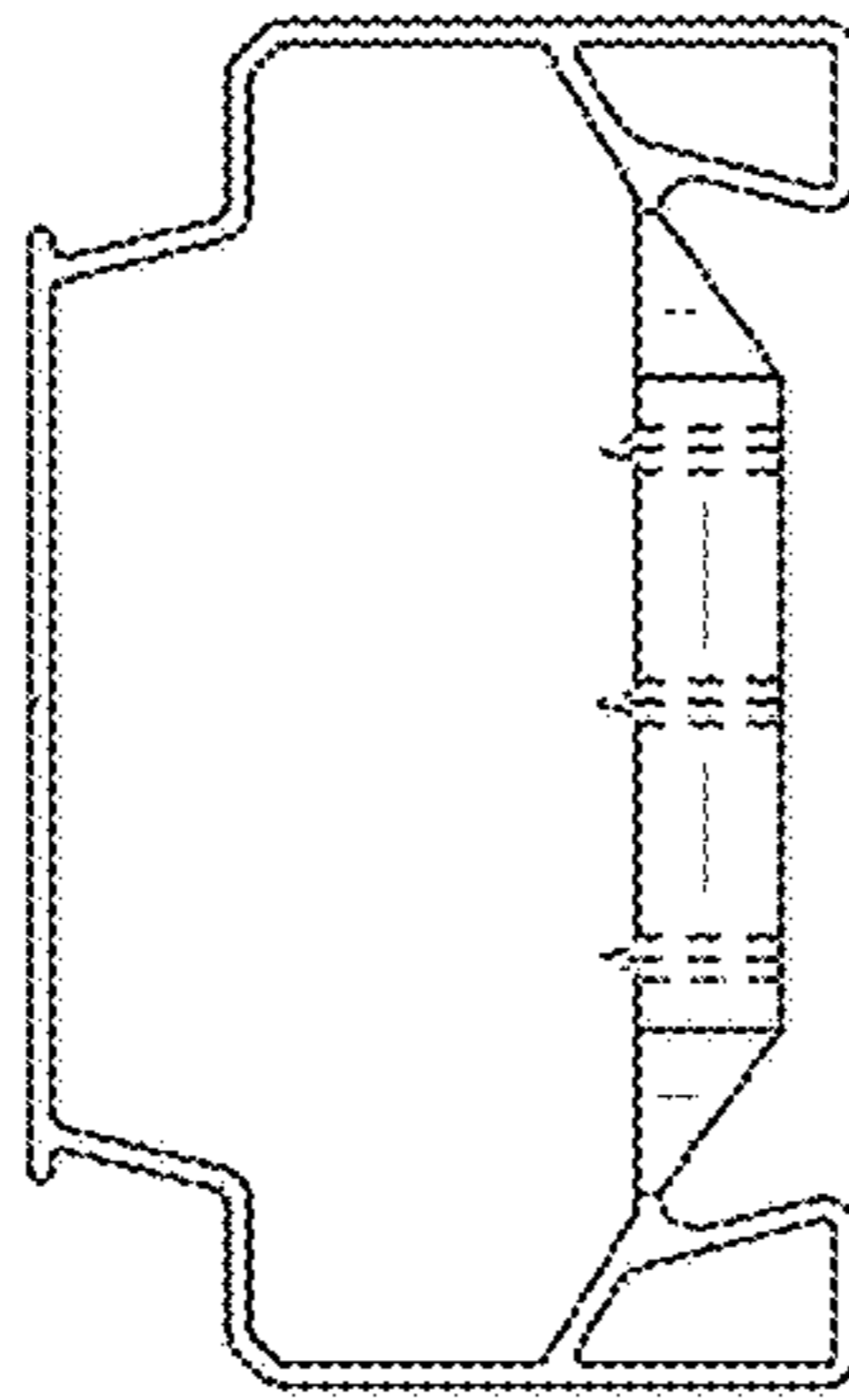


FIG.5

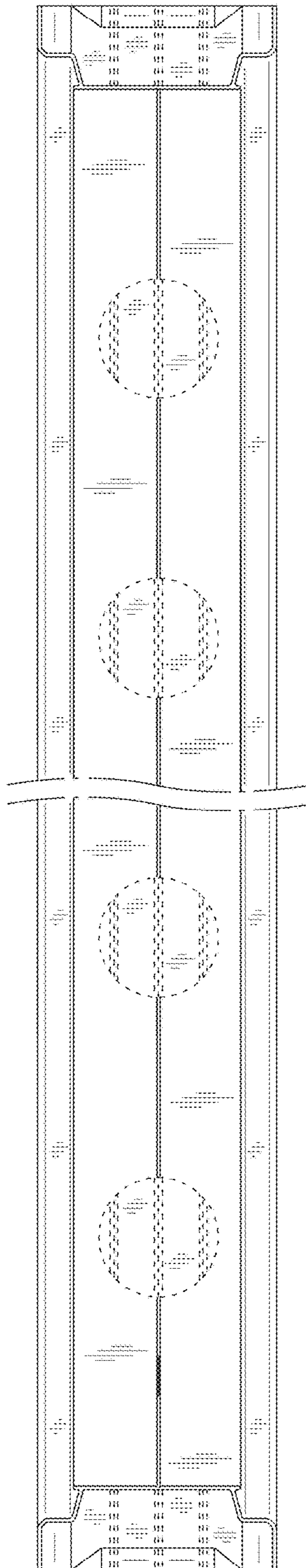


FIG.6

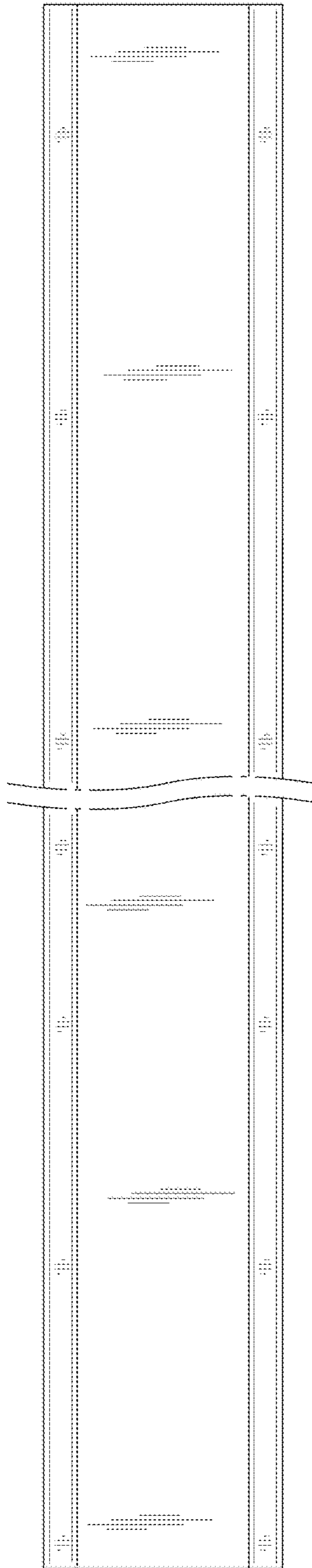


FIG. 7