

US00D839760S

(12) **United States Design Patent**  
**Hallam et al.**

(10) **Patent No.:** **US D839,760 S**

(45) **Date of Patent:** **\*\* Feb. 5, 2019**

(54) **CURRENT CLAMP**

(71) Applicant: **Neurio Technology Inc.**, Vancouver (CA)

(72) Inventors: **Jonathan Mark Hallam**, Vancouver (CA); **Shabnam Shambayati**, Vancouver (CA); **Colby Gore**, Vancouver (CA); **Jonathan Li**, Burnaby (CA); **Jeffery Schoenfeld**, Vancouver (CA); **Aaron MacDonald**, Garibaldi Highlands (CA)

(\*\*) Term: **15 Years**

(21) Appl. No.: **29/616,866**

(22) Filed: **Sep. 8, 2017**

(51) **LOC (11) Cl.** ..... **10-04**

(52) **U.S. Cl.**  
USPC ..... **D10/80**

(58) **Field of Classification Search**  
USPC ..... D10/80  
CPC ..... G01R 1/04; G01R 1/0408; G01R 1/0416;  
G01R 1/0425; G01R 1/06; G01R 1/067;  
G01R 15/125; G01R 1/22; G01R 15/12;  
G01R 15/18; G01R 15/186; G01R 1/07;  
G01R 1/16772; G01R 1/16788

See application file for complete search history.

(56) **References Cited**

**U.S. PATENT DOCUMENTS**

D665,282 S \* 8/2012 Worones ..... D10/80  
D678,790 S \* 3/2013 Worones ..... D10/79

D762,502 S \* 8/2016 Shen ..... D10/79

\* cited by examiner

*Primary Examiner* — Antoine Duval Davis

(57) **CLAIM**

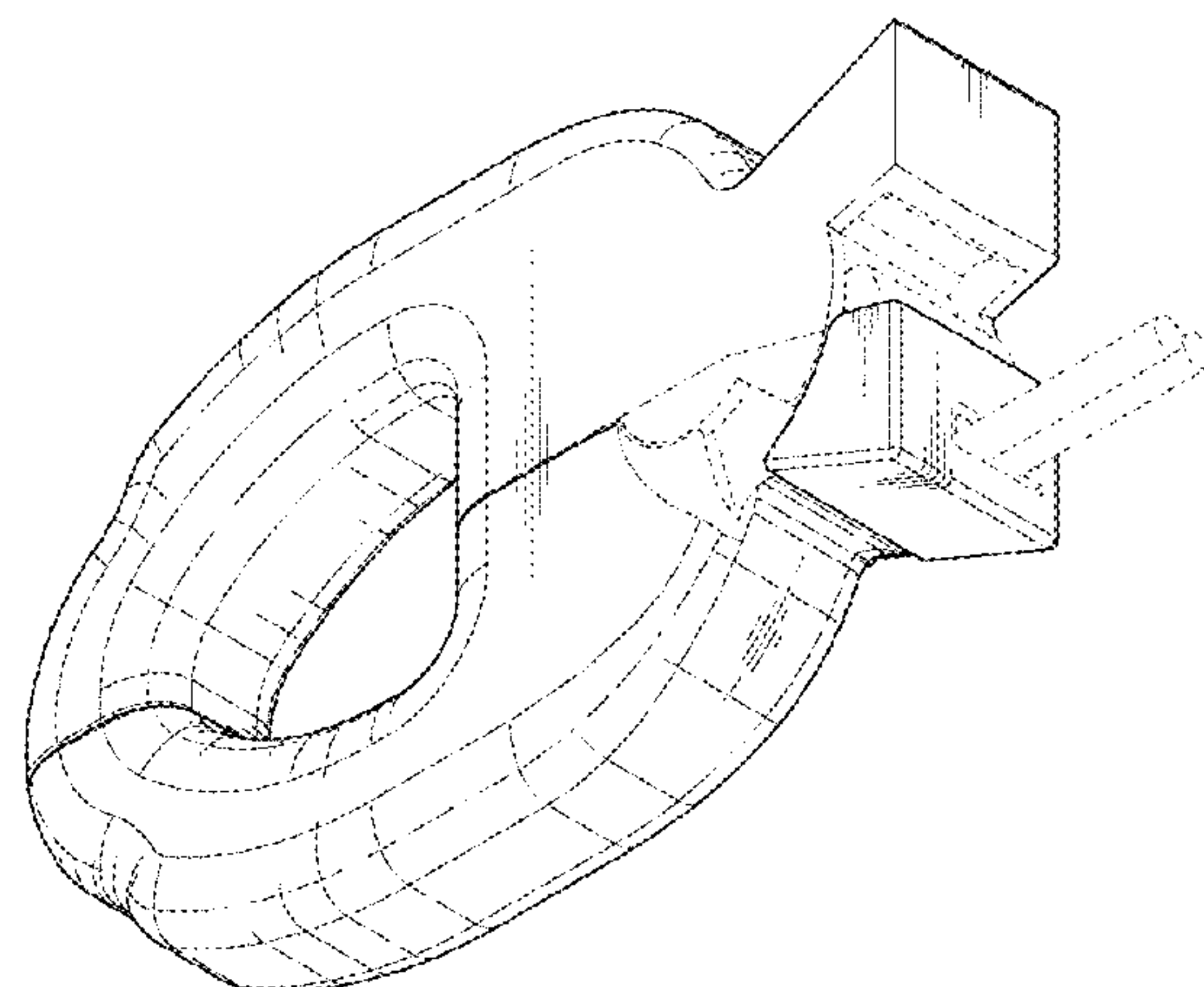
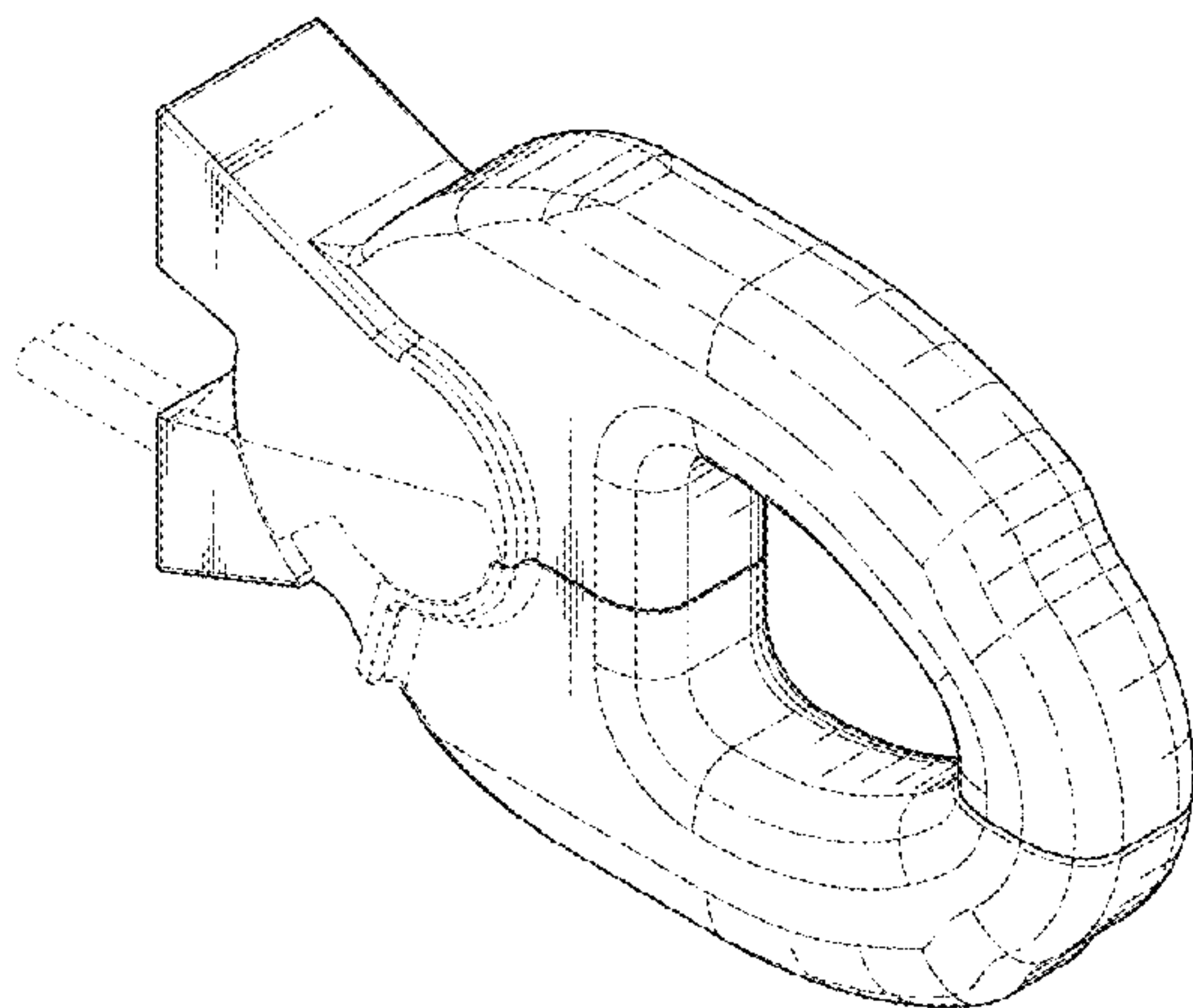
The ornamental design for a current clamp, as shown and described.

**DESCRIPTION**

FIG. 1 is a front side elevational view of the current clamp; FIG. 2 is a top plan view thereof; FIG. 3 is a rear side elevational view thereof; FIG. 4 is a bottom view thereof; FIG. 5 is a left side elevational view thereof; FIG. 6 is a right side elevational view thereof; FIG. 7 is a front, right and top perspective view thereof; FIG. 8 is a front, left and top perspective view thereof; FIG. 9 is a rear, left and bottom perspective view thereof; FIG. 10 is a rear side elevational view of the current clamp when opened; FIG. 11 is a front side elevational view of the current clamp when opened; FIG. 12 is a front, right and bottom perspective view of the current clamp when opened; FIG. 13 is a front, right and top perspective view of the current clamp when opened; and, FIG. 14 is a rear, left and top perspective view of the current clamp when opened.

The evenly broken lines depict environmental subject matter, specifically cables and their retaining slot, a housing above the lower handle, a cavity in the upper handle, a guide and stop structure, and plugs and sockets when the jaws are open, and form no part of the claimed design. The evenly dot-dashed lines near the guide and stop structure are boundaries limiting the extent of the claimed subject matter.

**1 Claim, 11 Drawing Sheets**



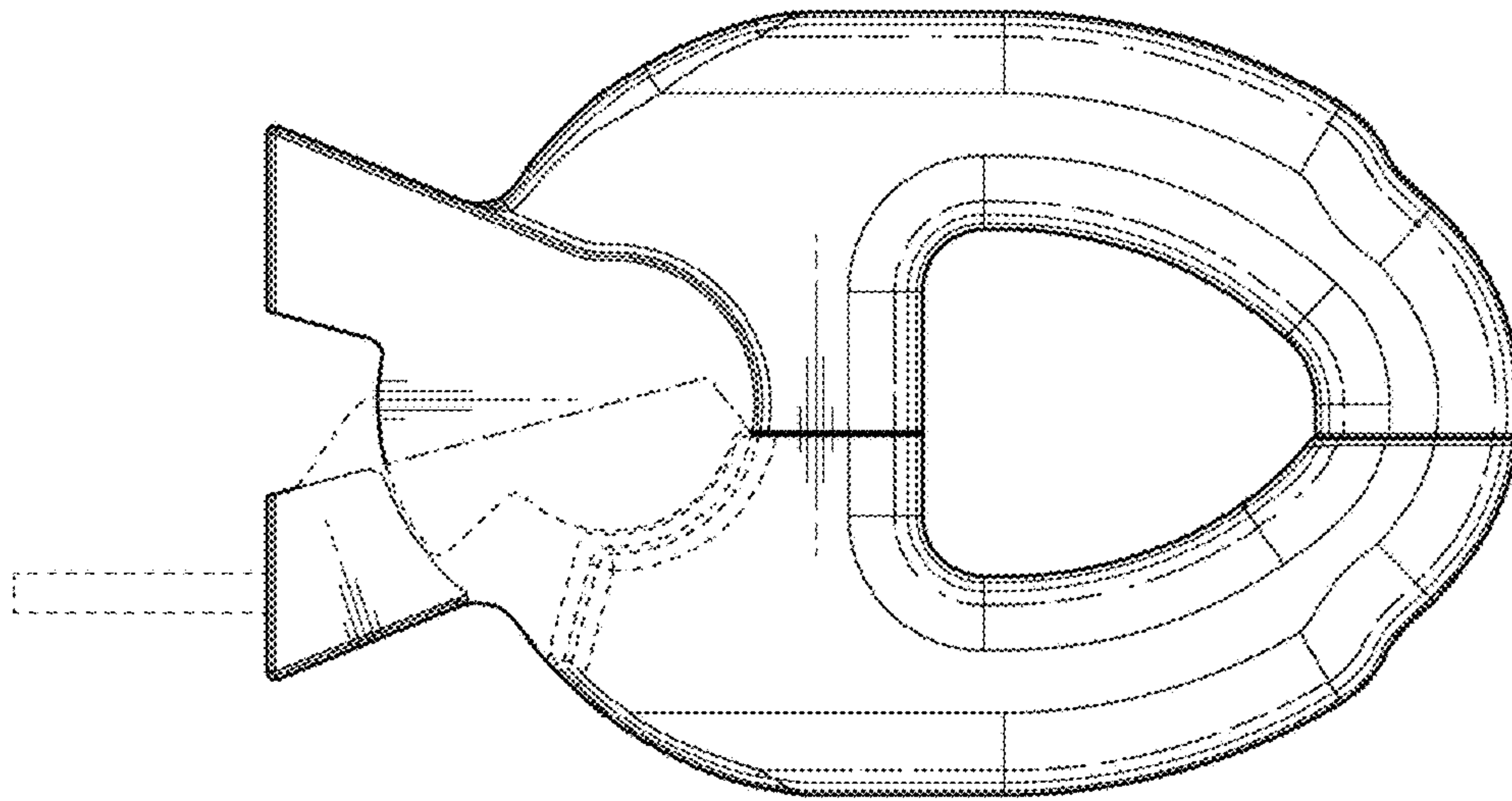


FIG. 1

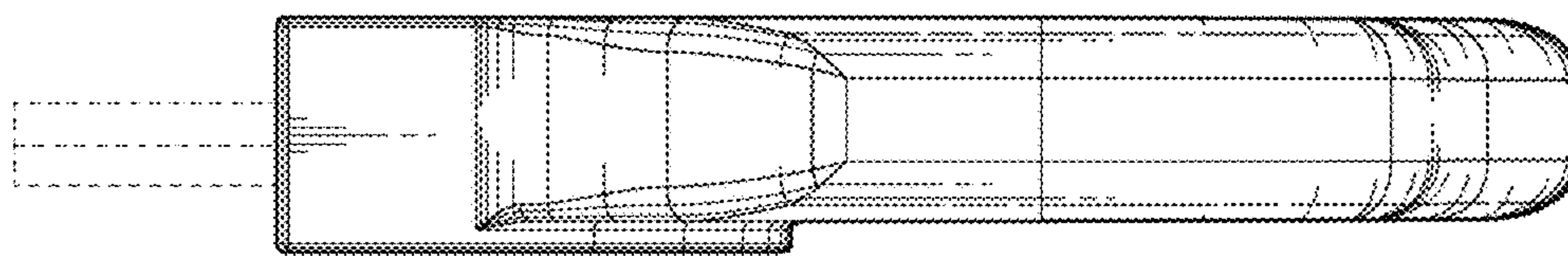


FIG. 2

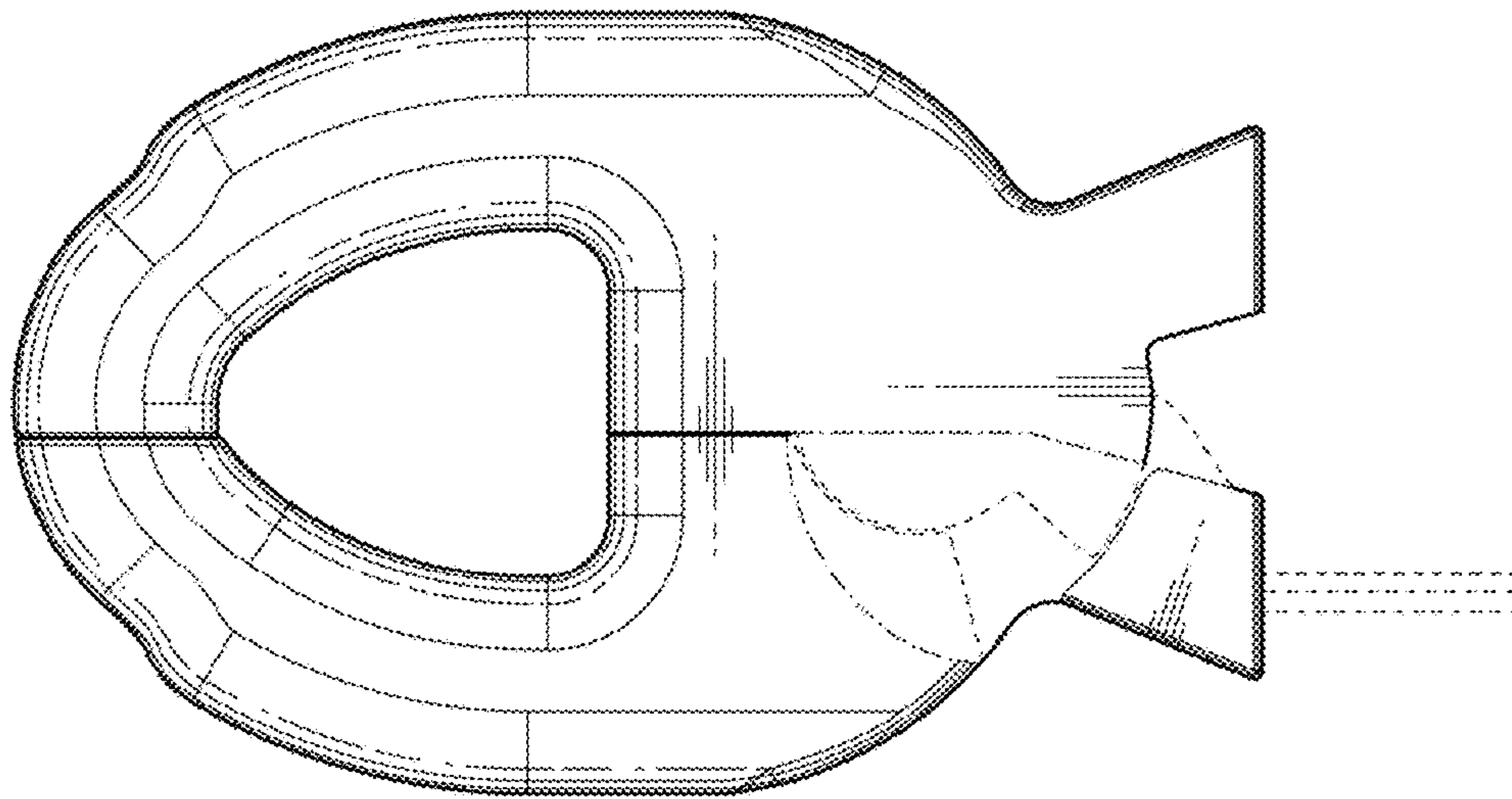


FIG. 3

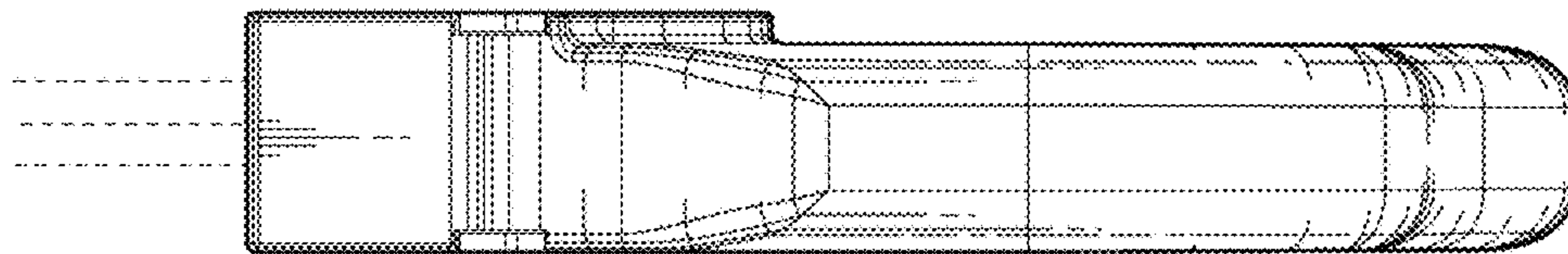


FIG. 4

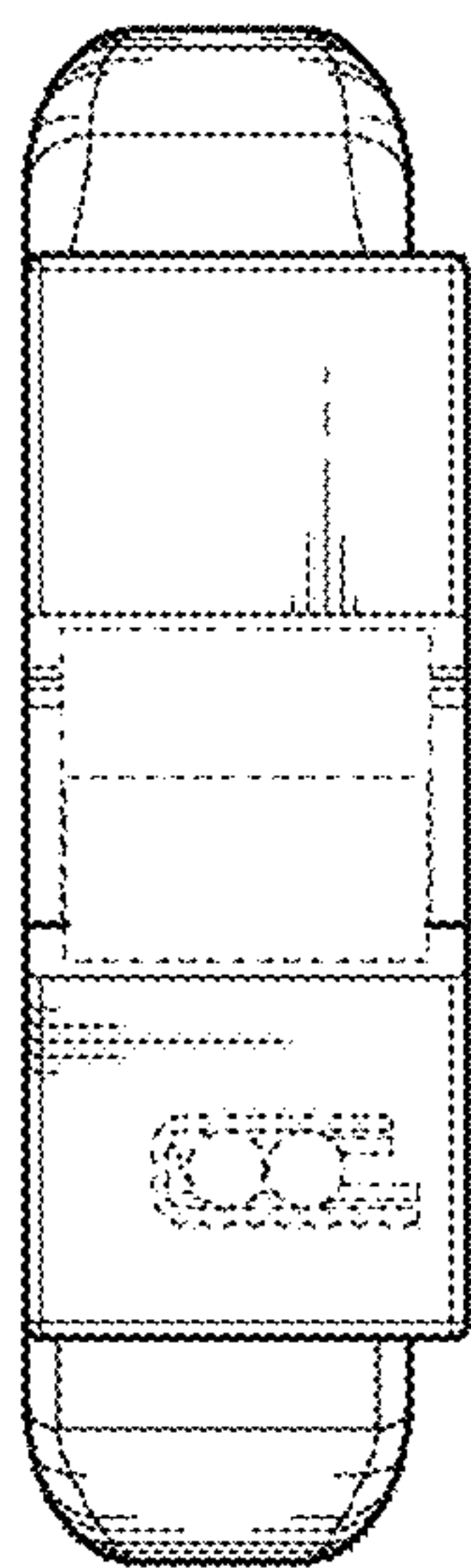


FIG. 5

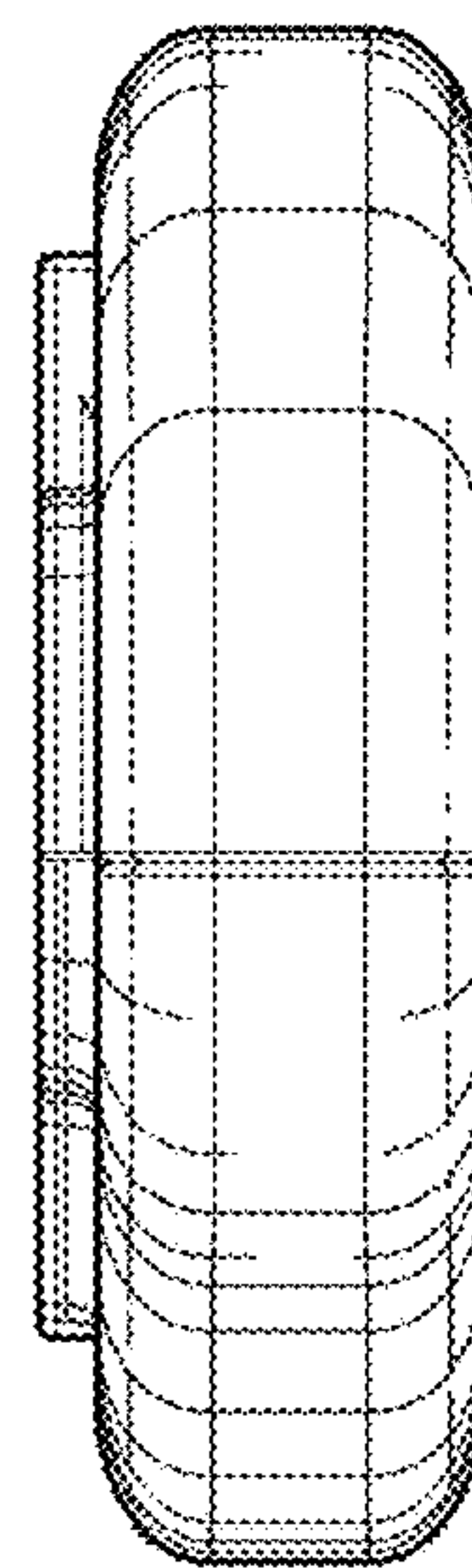


FIG. 6



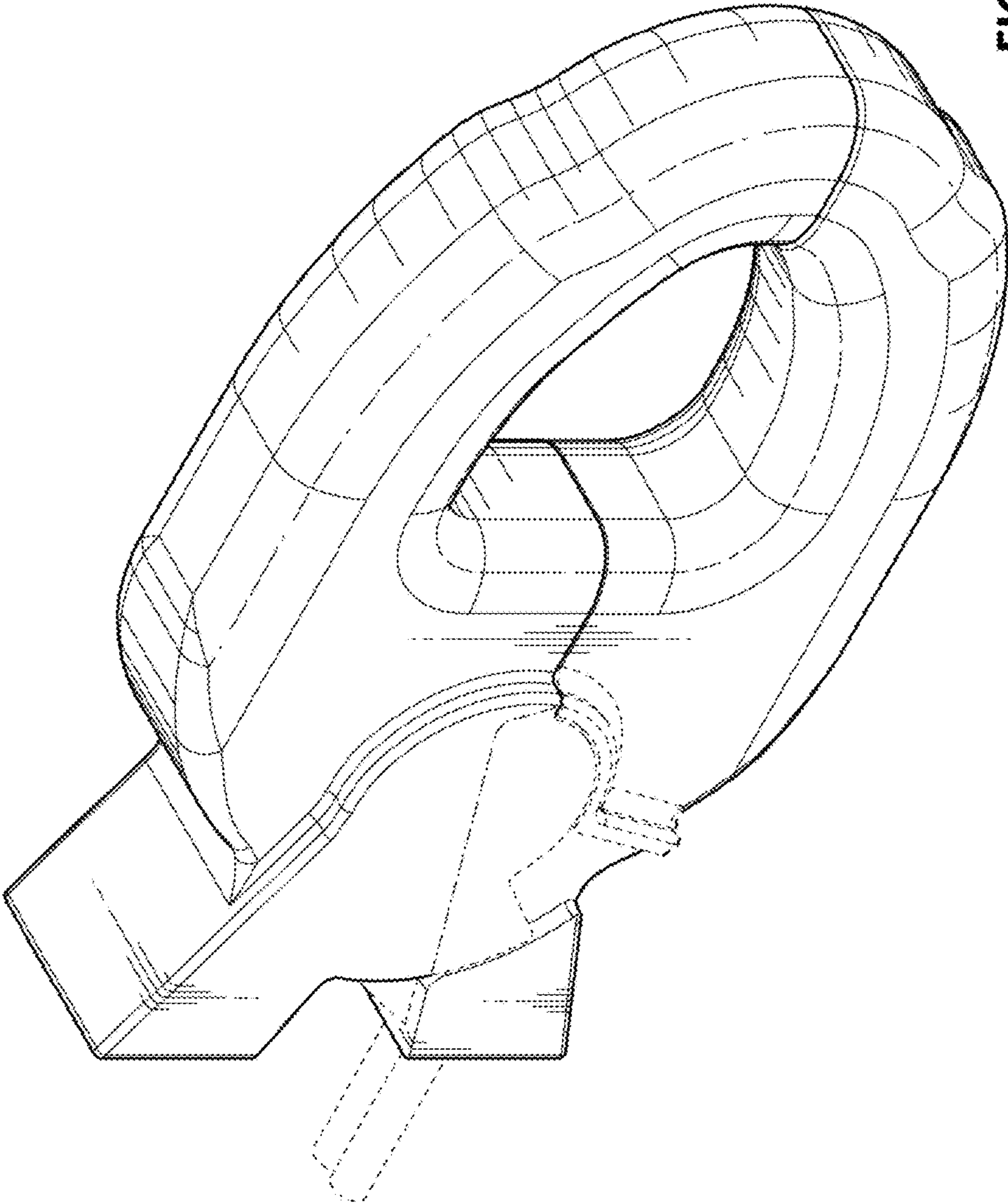


FIG. 7

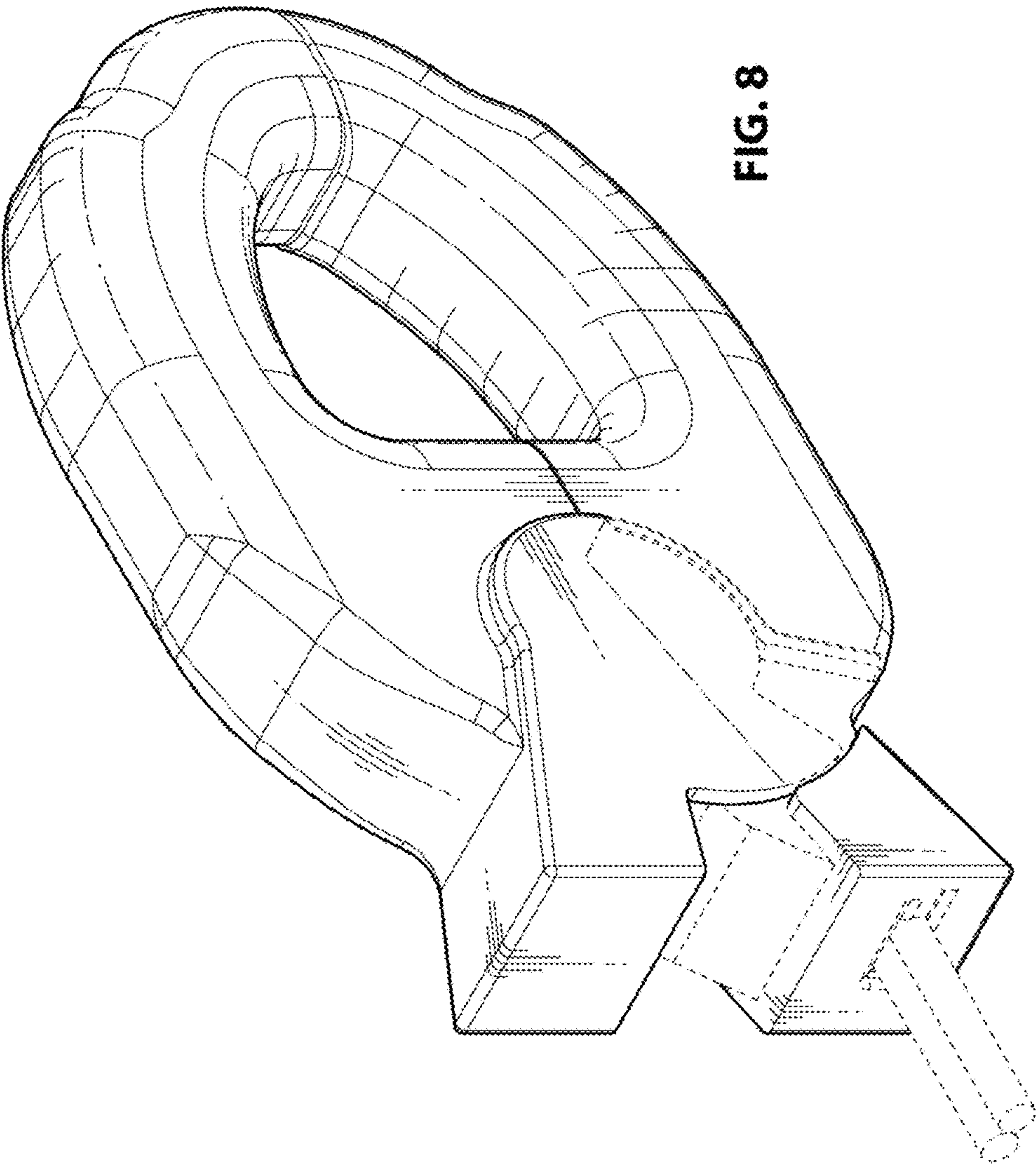


FIG. 8

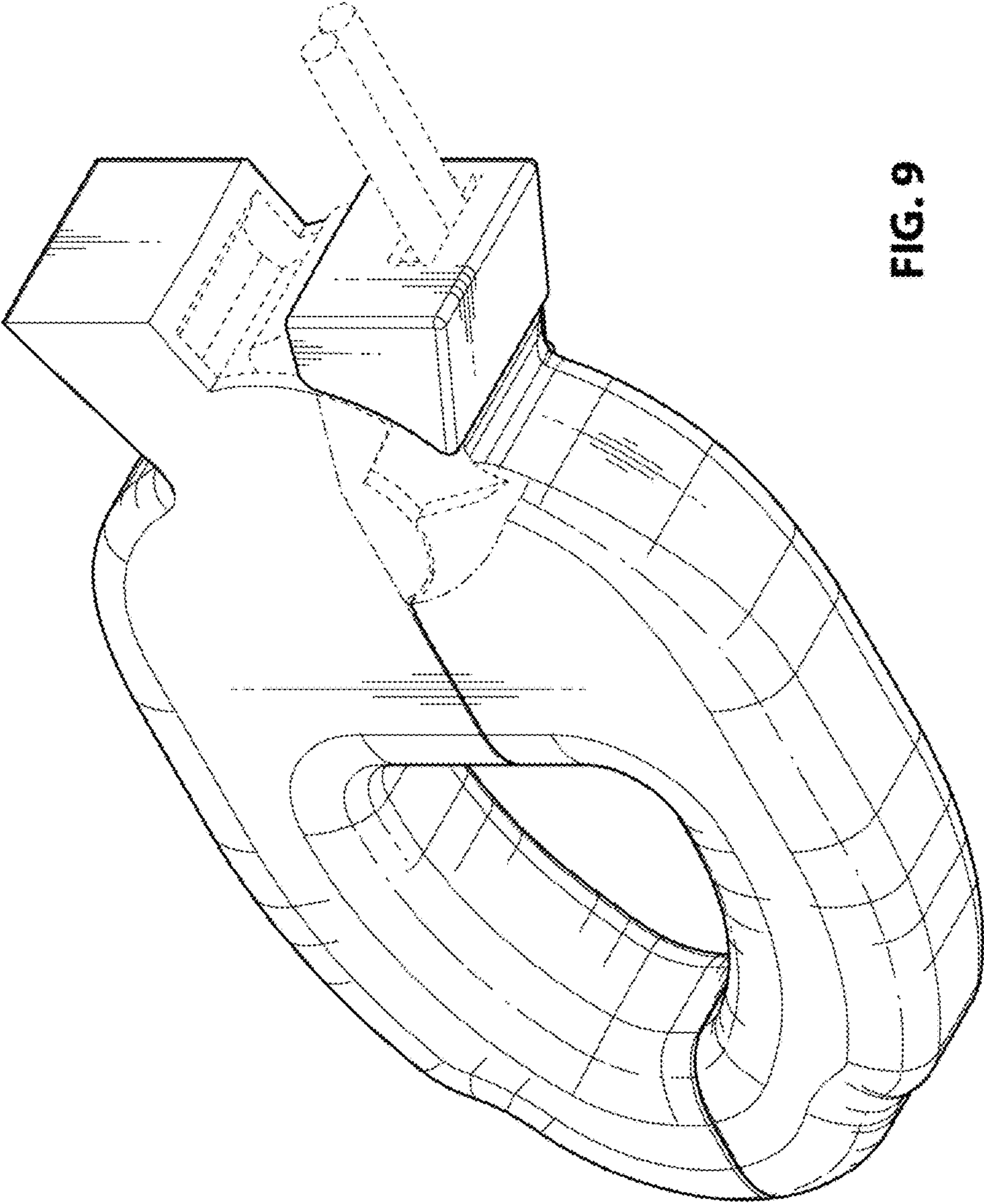


FIG. 9

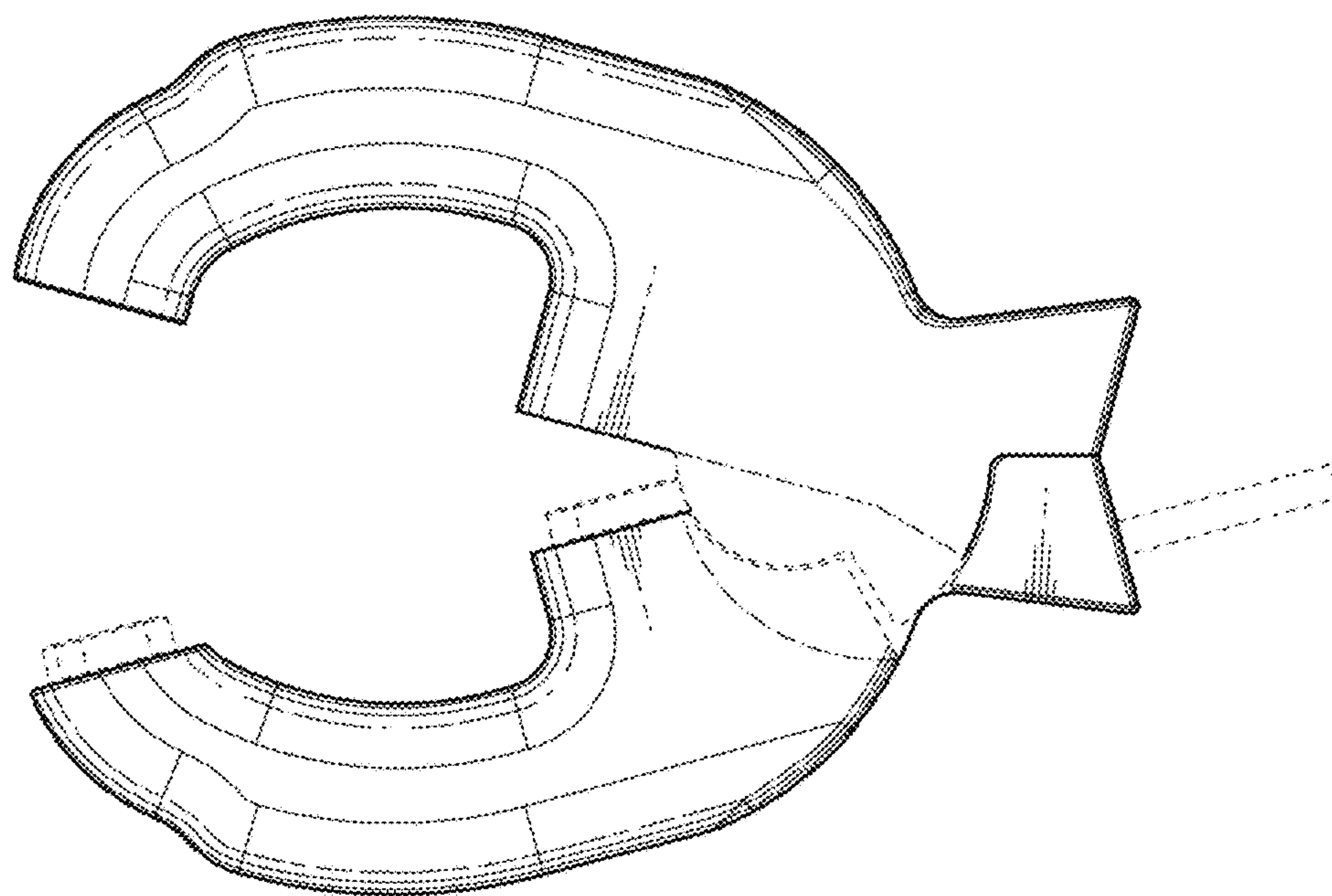


FIG. 10



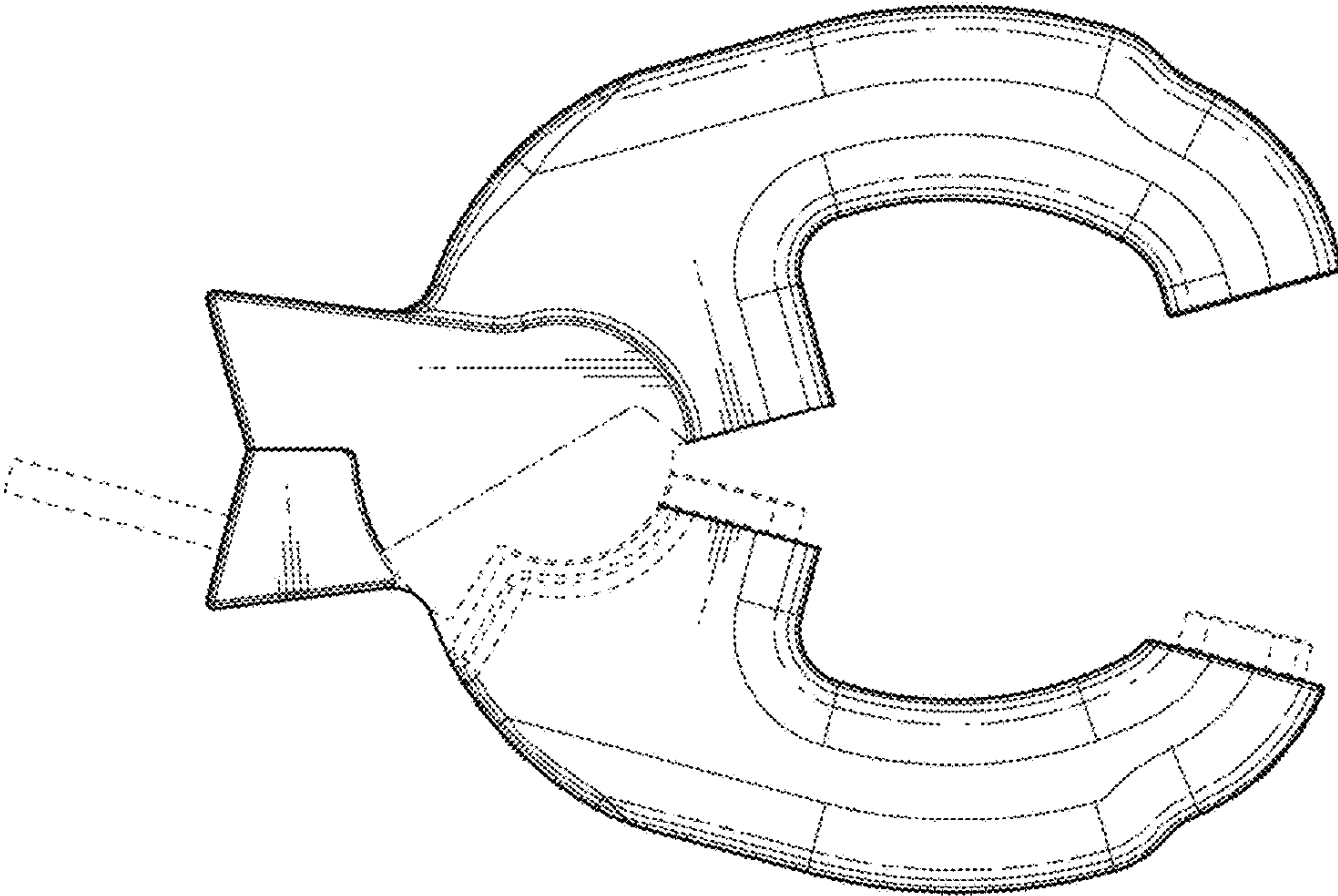
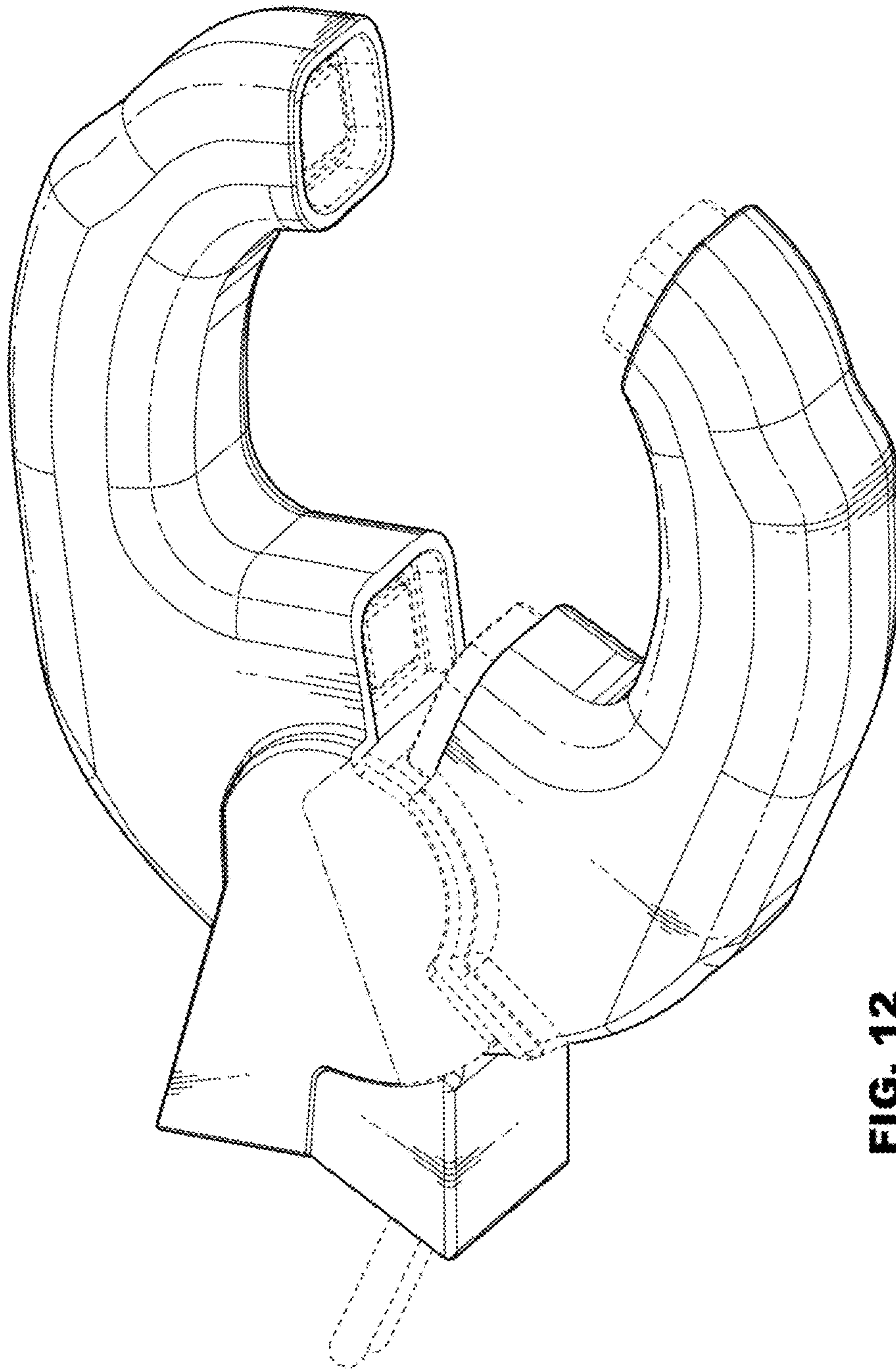


FIG. 11



**FIG. 12**

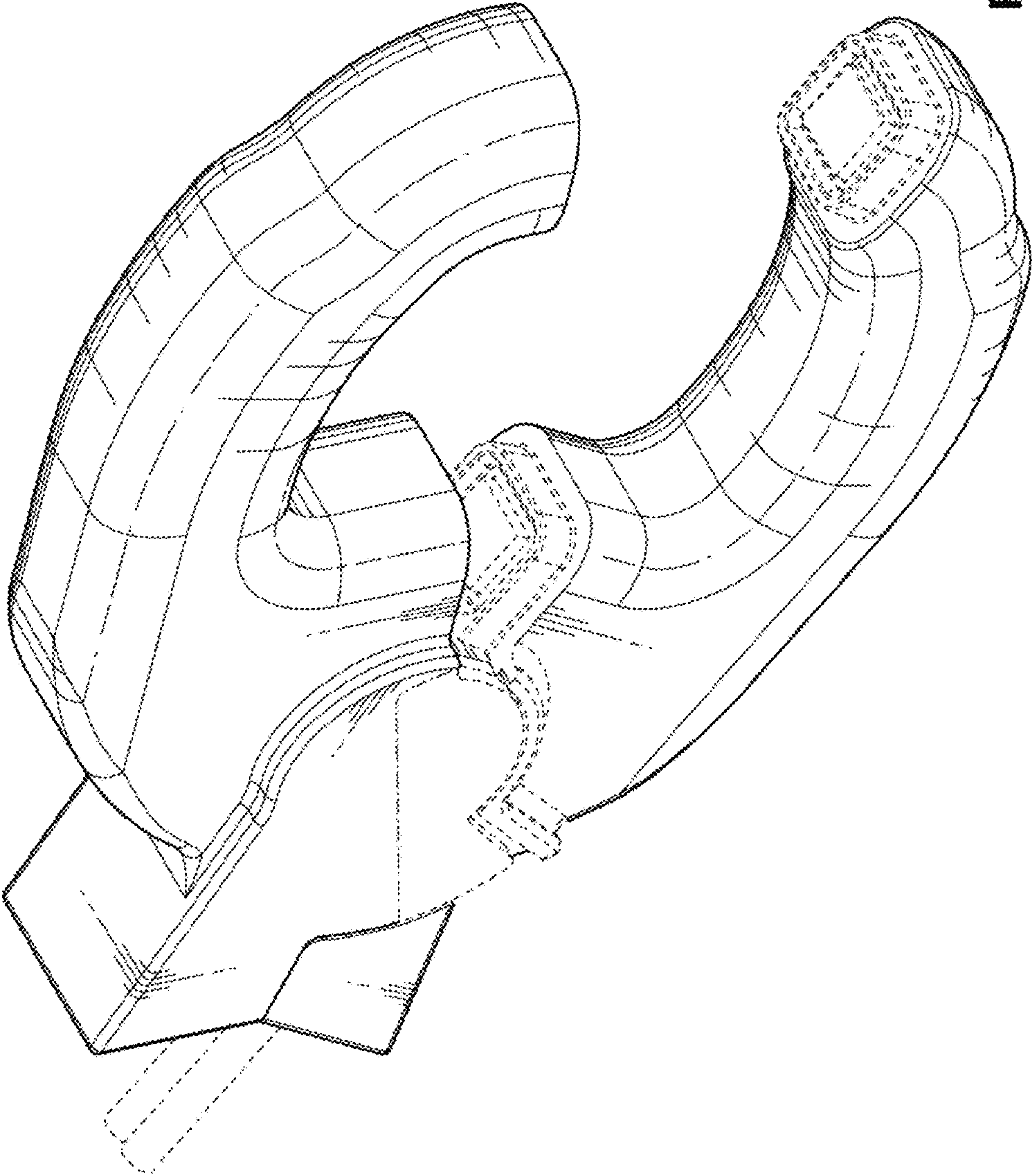


FIG. 13

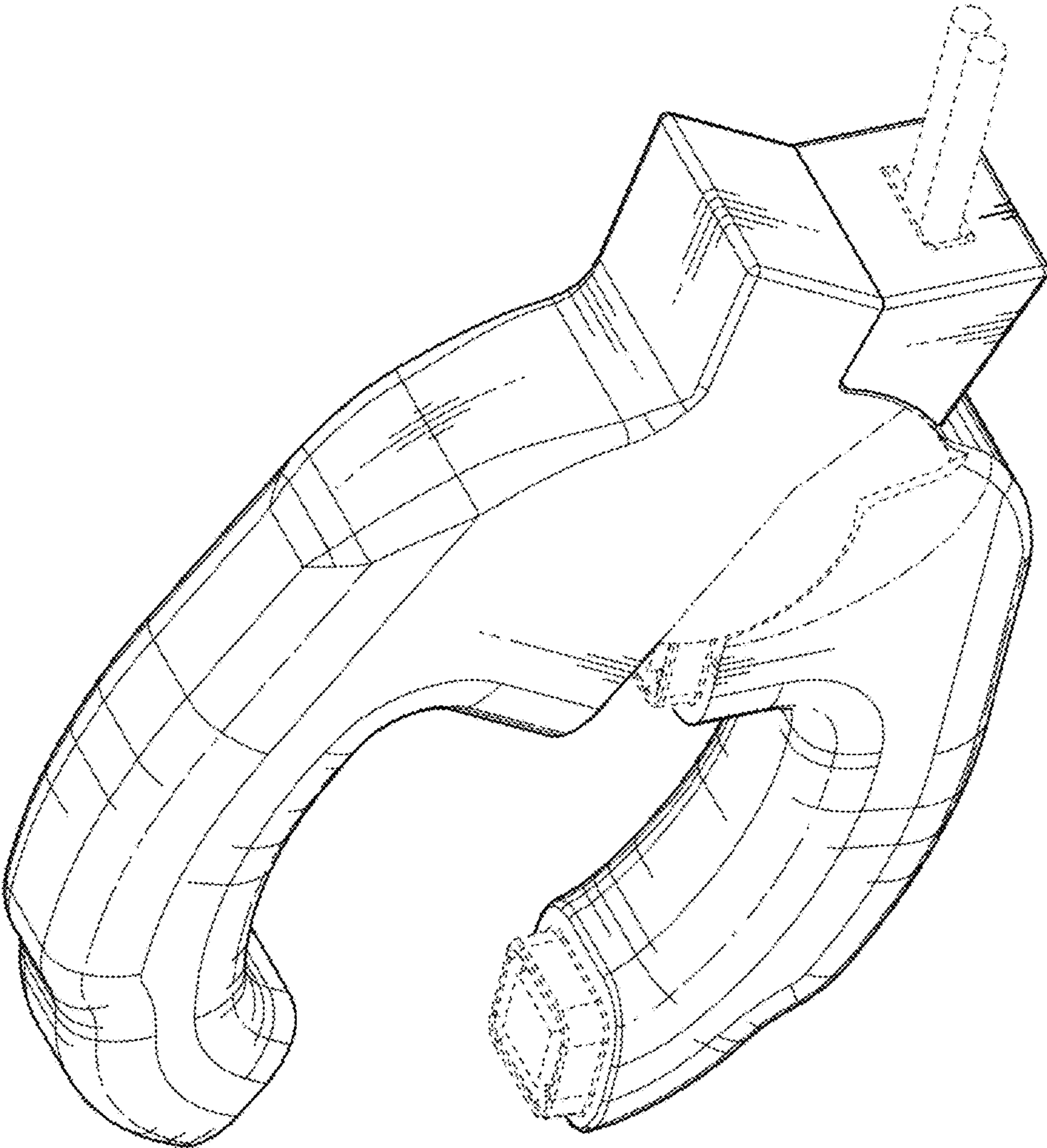


FIG. 14