



US00D839759S

(12) **United States Design Patent**  
**Zhang et al.**

(10) **Patent No.:** **US D839,759 S**  
(45) **Date of Patent:** **\*\* Feb. 5, 2019**

- (54) **DIGITAL MICROMETER**
- (71) Applicants: **Yanchen Zhang**, San Clemente, CA (US); **Meng Zhang**, San Clemente, CA (US)
- (72) Inventors: **Yanchen Zhang**, San Clemente, CA (US); **Meng Zhang**, San Clemente, CA (US)

7,266,906 B2 \* 9/2007 Suzuki ..... G01B 3/18  
33/784  
8,091,251 B1 \* 1/2012 Zhang ..... G01B 3/18  
33/819

\* cited by examiner

*Primary Examiner* — Antoine Duval Davis  
(74) *Attorney, Agent, or Firm* — Let Z. Kwan, Esq.

(\*\*) Term: **15 Years**

(21) Appl. No.: **29/600,899**

(22) Filed: **Apr. 17, 2017**

(51) **LOC (11) Cl.** ..... **10-04**

(52) **U.S. Cl.**  
USPC ..... **D10/73**

(58) **Field of Classification Search**  
USPC ..... D10/73  
CPC ..... G01B 3/18  
See application file for complete search history.

(56) **References Cited**

**U.S. PATENT DOCUMENTS**

- 3,667,127 A \* 6/1972 Tsugami ..... G01B 3/18  
33/704
- D429,172 S \* 8/2000 Reymond ..... D10/73

(57) **CLAIM**

The ornamental design for a digital micrometer, as shown and described.

**DESCRIPTION**

FIG. 1 is a top, right perspective view of a digital micrometer showing our new design;  
FIG. 2 is a left side view thereof;  
FIG. 3 is a top plan view thereof;  
FIG. 4 is a bottom plan view thereof;  
FIG. 5 is a right side view thereof;  
FIG. 6 is a head on view thereof; and,  
FIG. 7 is a rear end view thereof.

**1 Claim, 4 Drawing Sheets**

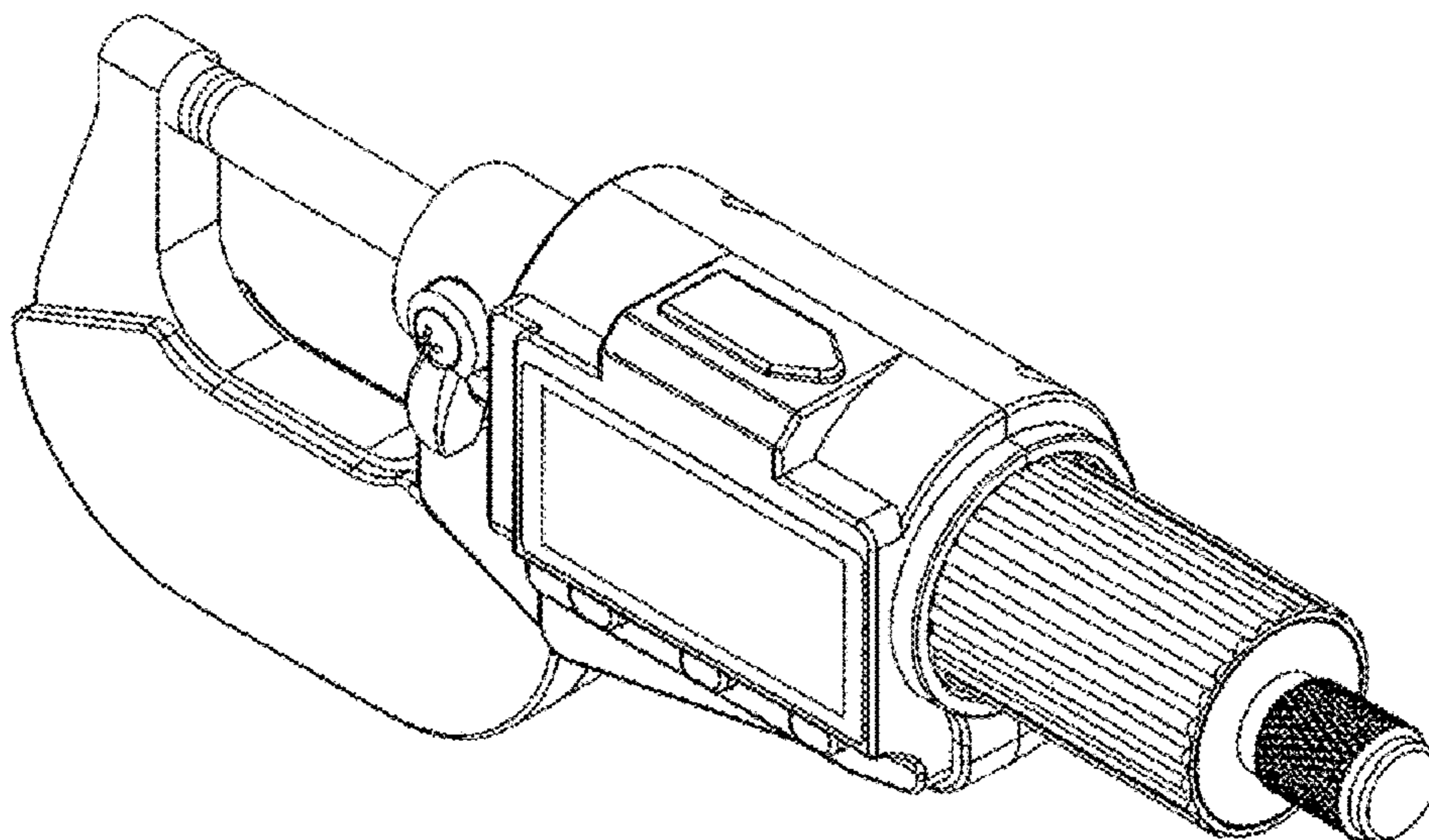
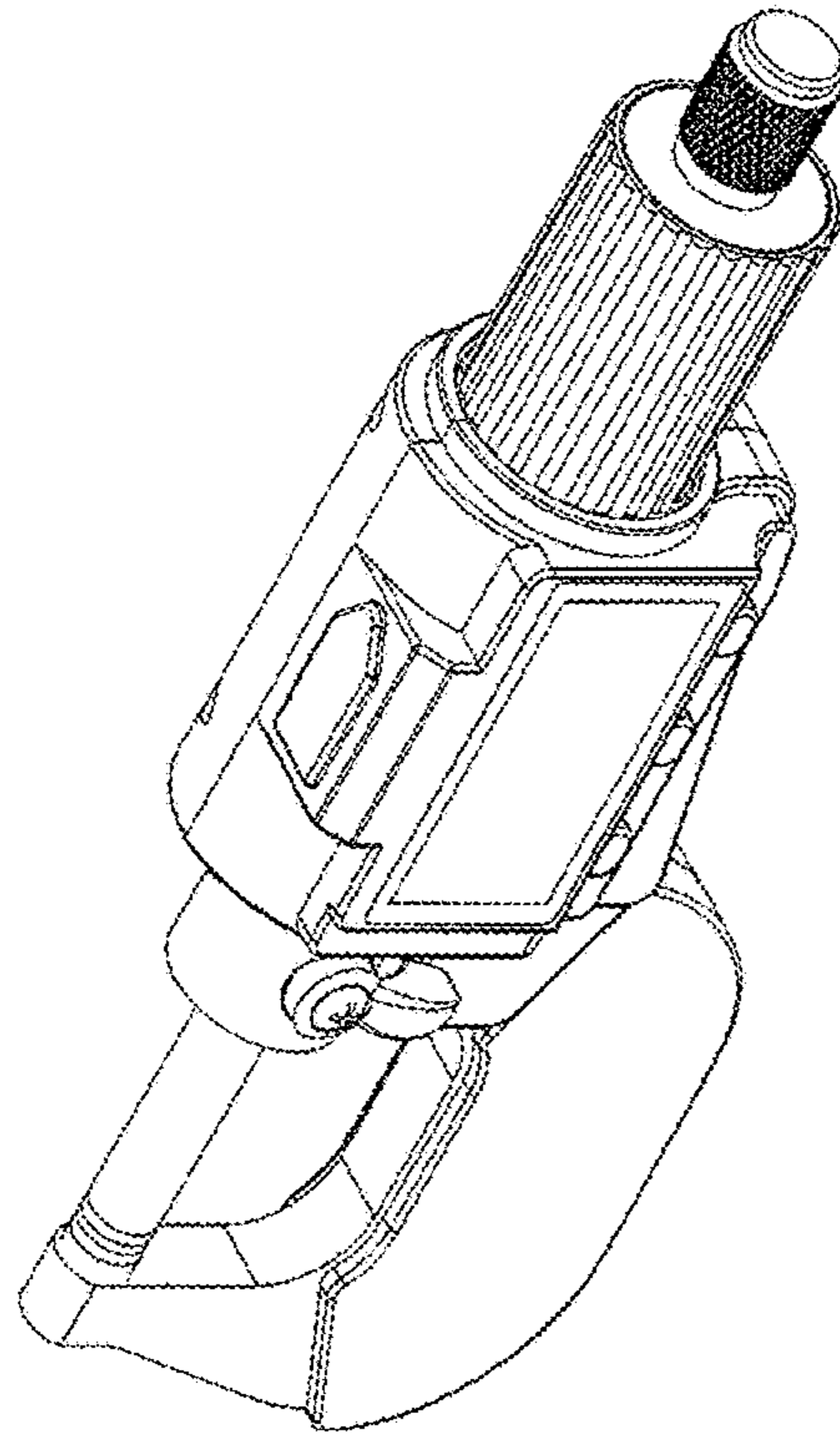


Fig. 1



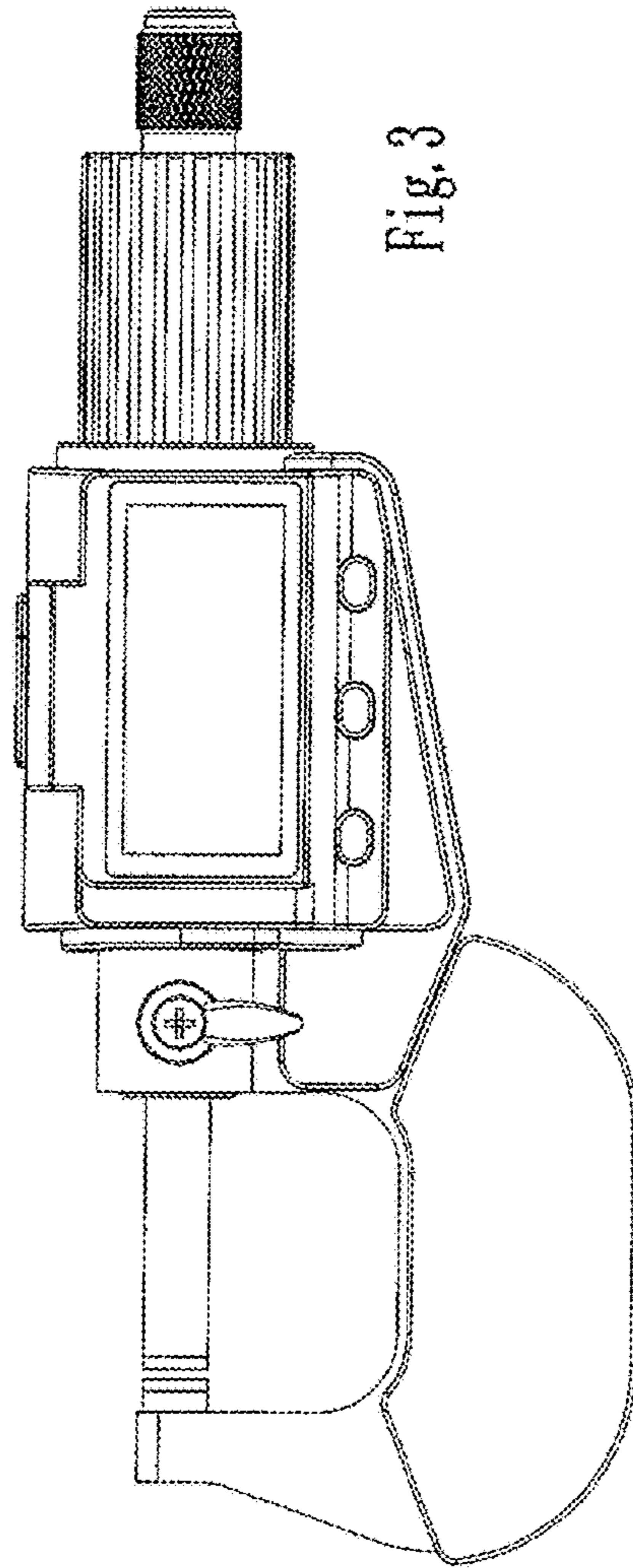


Fig. 3

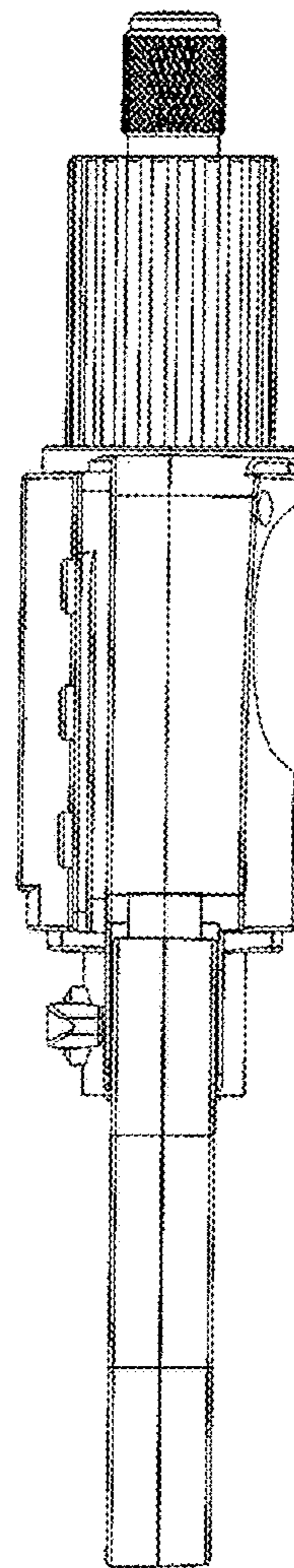
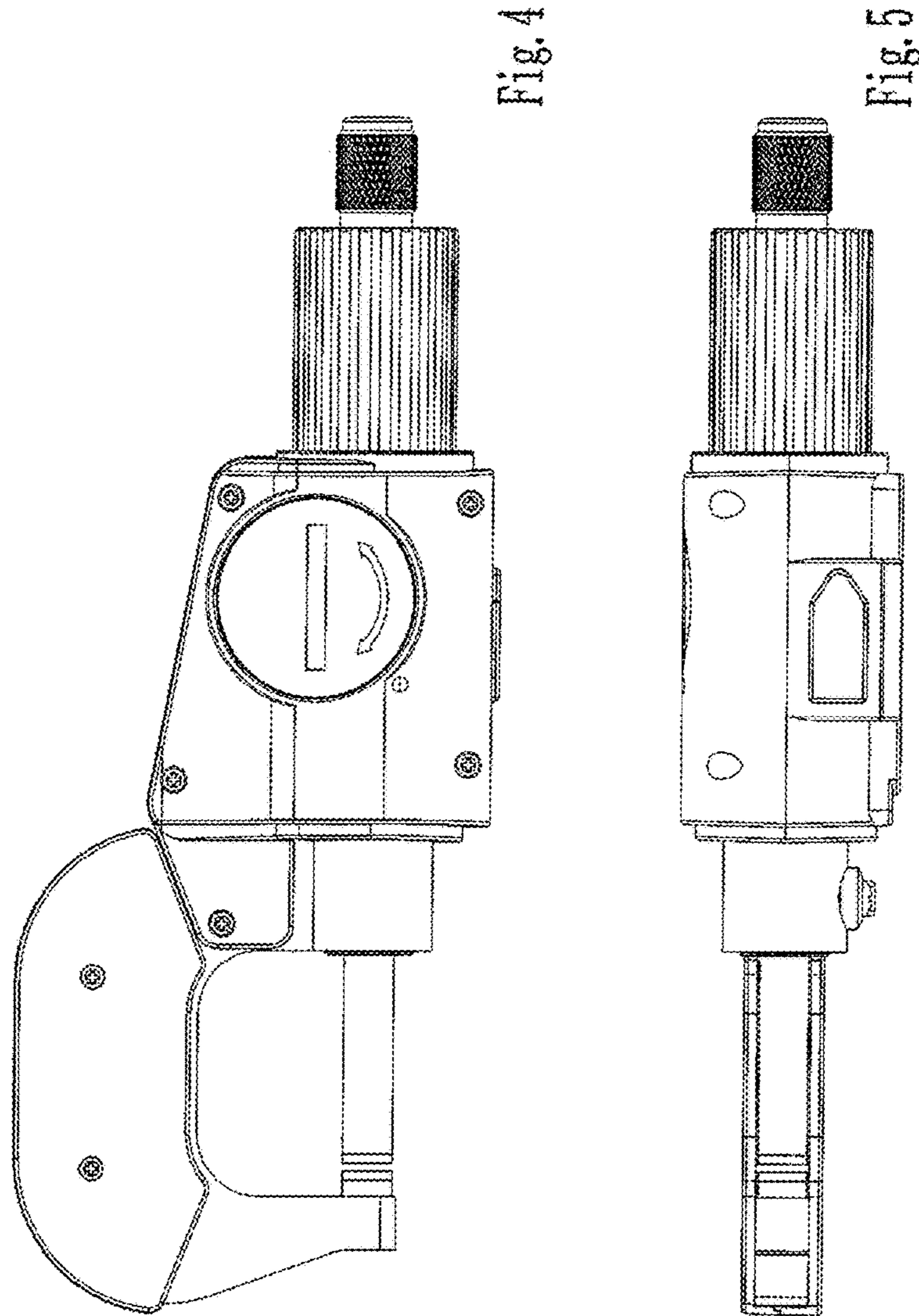


Fig. 2



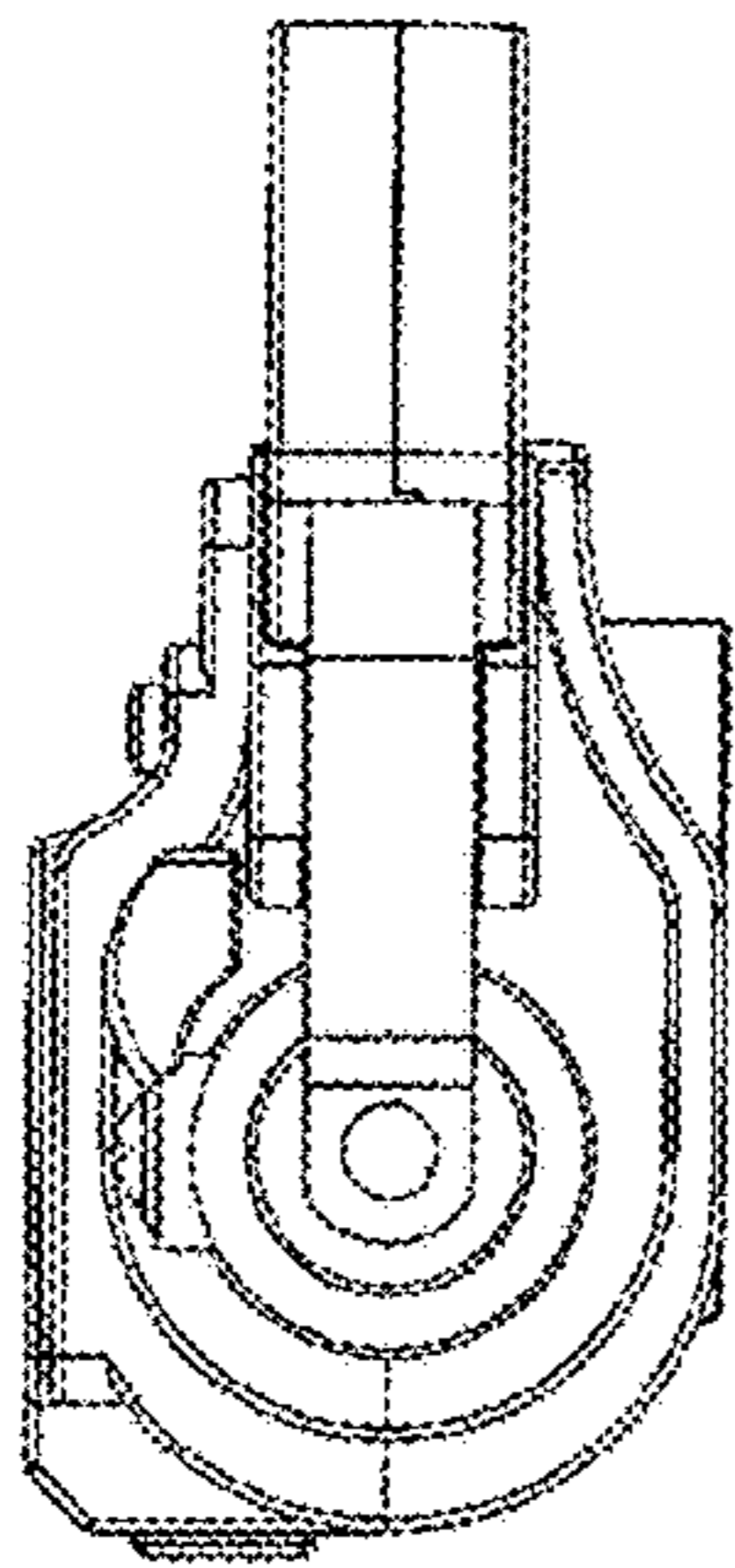


Fig. 6

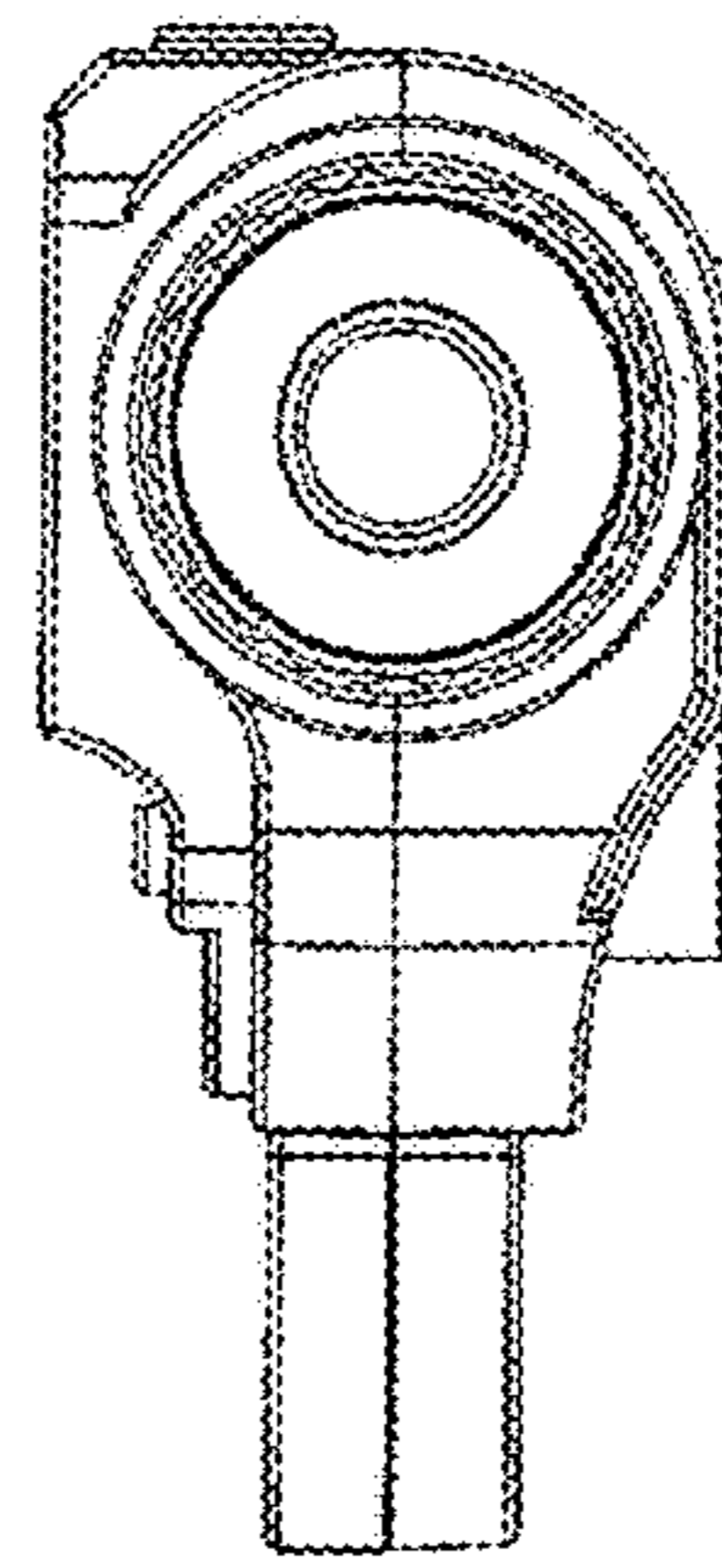


Fig. 7