

US00D839757S

(12) **United States Design Patent**  
**Pang et al.**

(10) **Patent No.:** **US D839,757 S**

(45) **Date of Patent:** **\*\* Feb. 5, 2019**

(54) **TEMPERATURE MEASURING DEVICE**

(71) Applicant: **Shenzhen Riitek Technology Co., LTD.**, Shenzhen, Guangdong (CN)

(72) Inventors: **Xianyong Pang**, Shenzhen (CN);  
**Junkui Chen**, Shenzhen (CN)

(73) Assignee: **Shenzhen Riitek Technology Co., Ltd.**, Shenzhen, Guangdong (CN)

(\*\*) Term: **15 Years**

(21) Appl. No.: **29/640,014**

(22) Filed: **Mar. 12, 2018**

(51) **LOC (11) Cl.** ..... **10-04**

(52) **U.S. Cl.**  
USPC ..... **D10/52; D10/78**

(58) **Field of Classification Search**  
USPC ..... D10/52, 53, 55, 56, 57, 78  
CPC ..... G01K 1/02; G01K 1/022; G01K 1/024;  
G01K 1/08; G01K 13/002; A61B 5/01;  
G01J 5/02; G01J 5/021; G01J 5/08; G01J  
5/0022; G01J 5/0025; G01J 5/0265; G01J  
5/0887; G01J 2005/068  
See application file for complete search history.

(56) **References Cited**

**U.S. PATENT DOCUMENTS**

4,601,589 A \* 7/1986 Meisner ..... G01K 1/028  
136/291  
6,568,848 B1 \* 5/2003 Chapman ..... G01K 1/024  
340/870.17

7,201,099 B2 \* 4/2007 Harris, Jr. .... G01K 1/02  
374/E1.002  
D684,490 S \* 6/2013 Nelson ..... D10/78  
D684,491 S \* 6/2013 Confield ..... D10/78  
D694,141 S \* 11/2013 Lienenkamp ..... D10/101  
D723,404 S \* 3/2015 Faulkner ..... D10/78  
10,074,255 B2 \* 9/2018 Prabhakar ..... G08B 17/06

\* cited by examiner

*Primary Examiner* — Antoine Duval Davis

(74) *Attorney, Agent, or Firm* — Raymond Y. Chan;  
David and Raymond Patent Firm

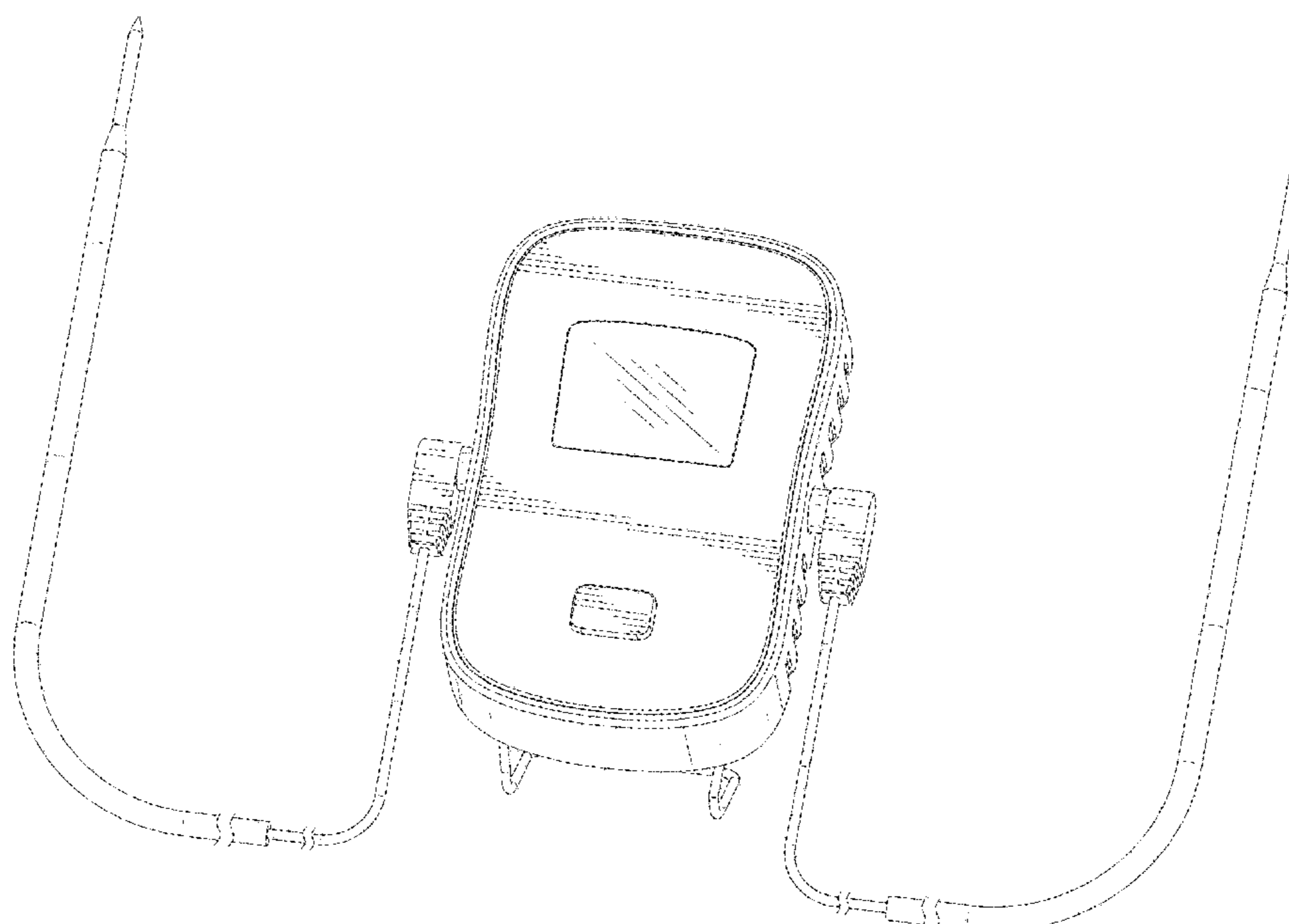
(57) **CLAIM**

The ornamental design for a temperature measuring device, as shown and described.

**DESCRIPTION**

FIG. 1 is a perspective view of the temperature measuring device showing my new design;  
FIG. 2 is a front view of the temperature measuring device;  
FIG. 3 is a rear view of the temperature measuring device;  
FIG. 4 is a left view of the temperature measuring device;  
FIG. 5 is a right view of the temperature measuring device;  
FIG. 6 is a top view of the temperature measuring device;  
and,  
FIG. 7 is a bottom view of the temperature measuring device.

**1 Claim, 7 Drawing Sheets**



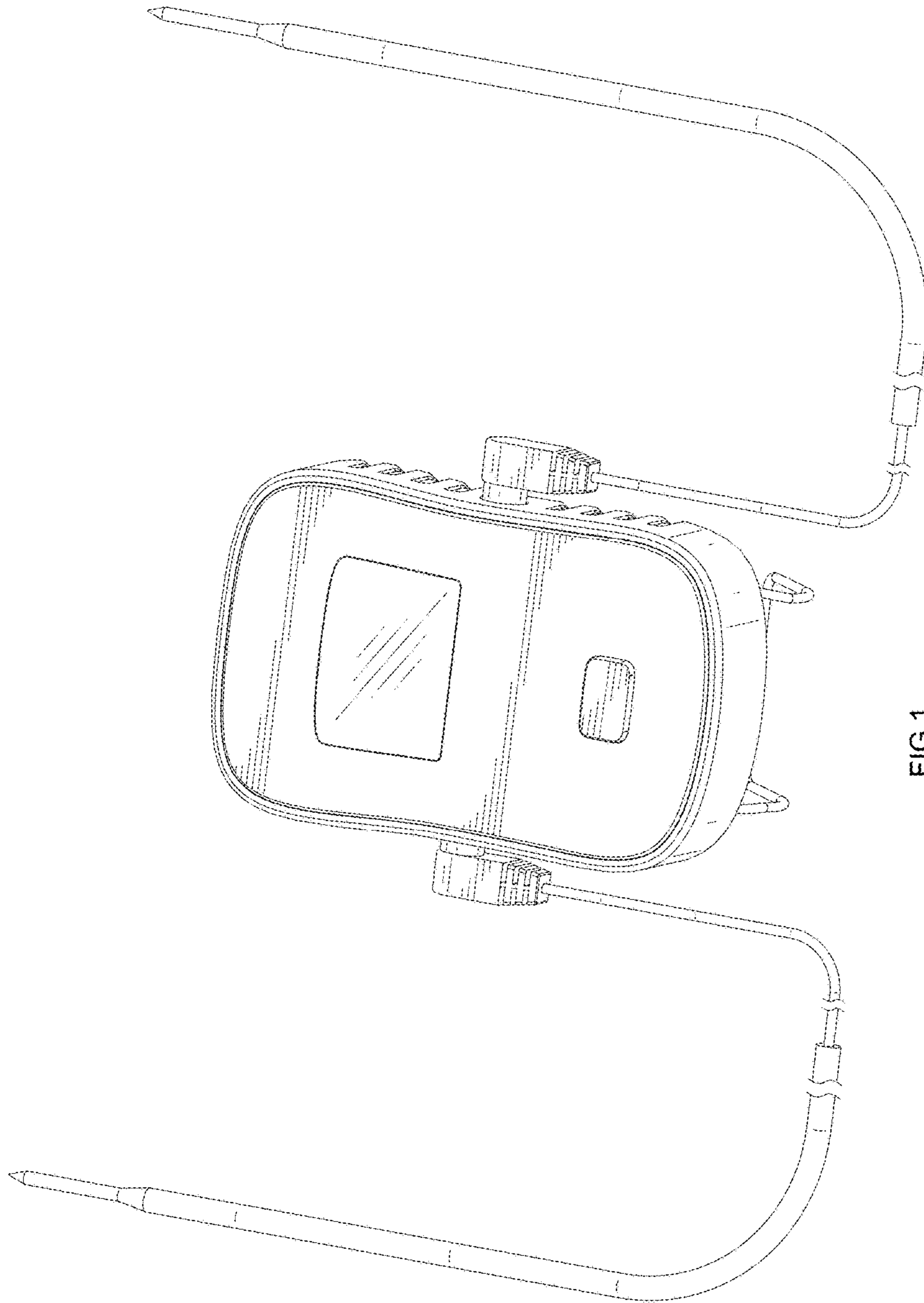


FIG.1

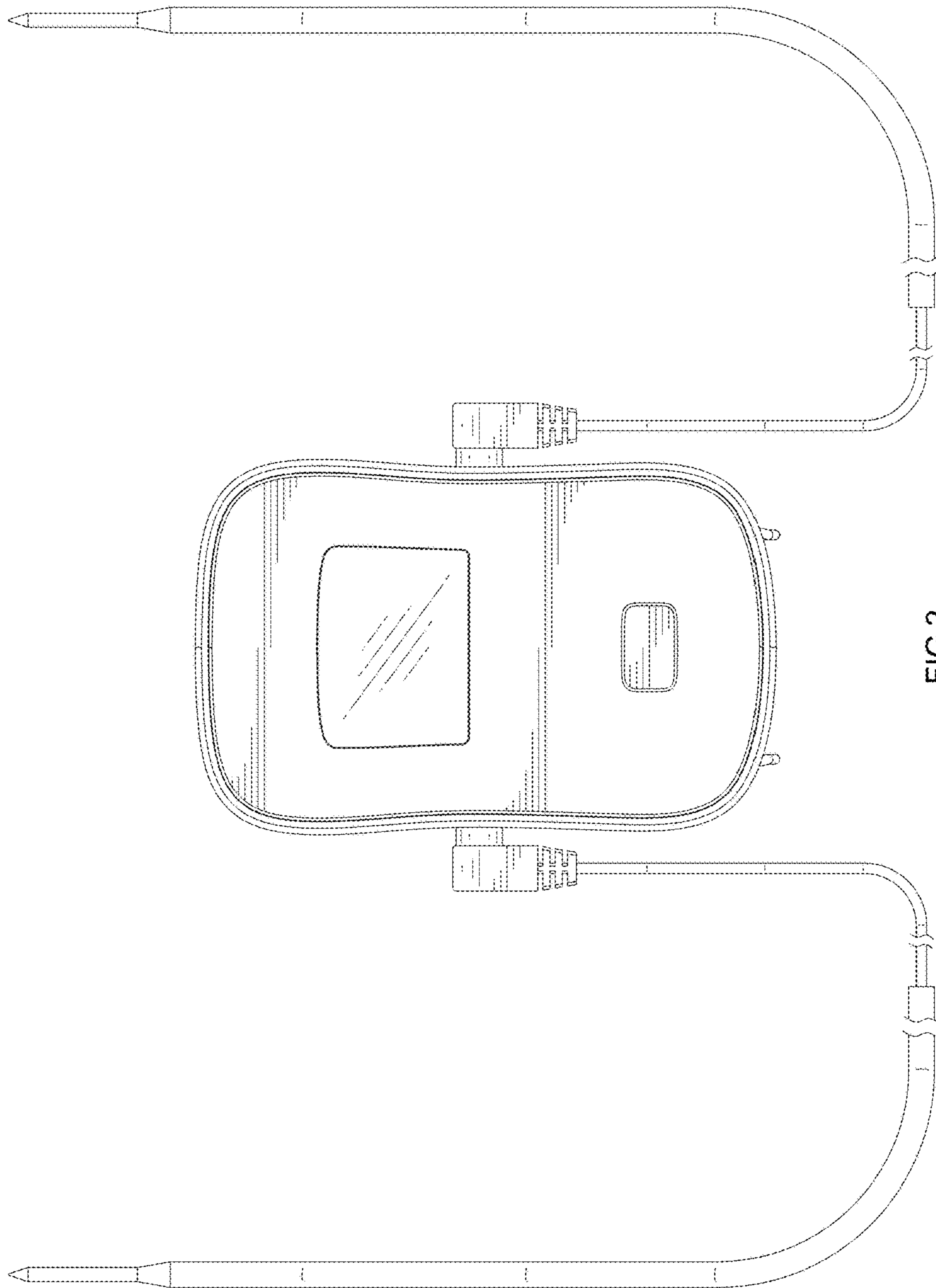


FIG.2

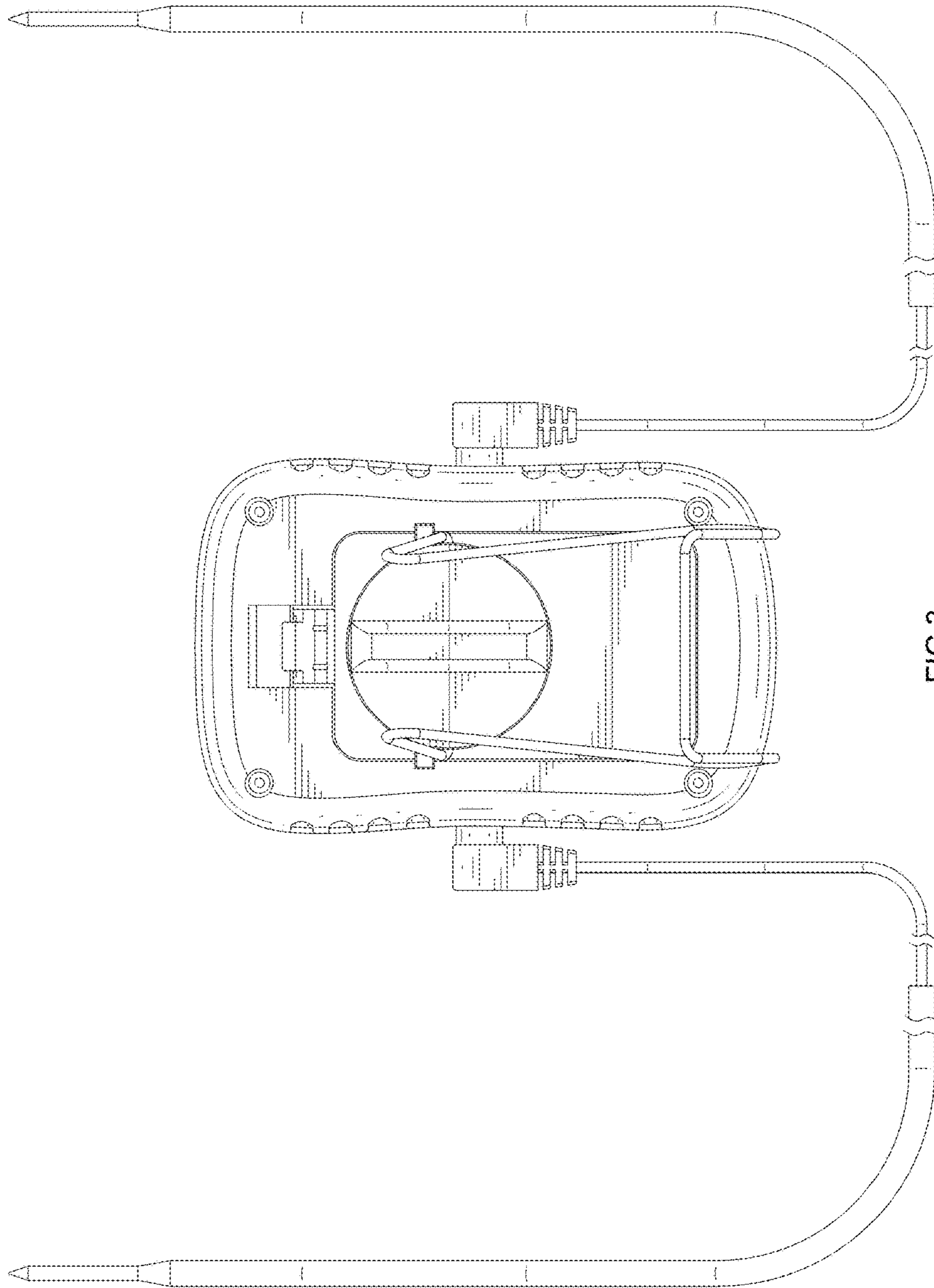


FIG.3

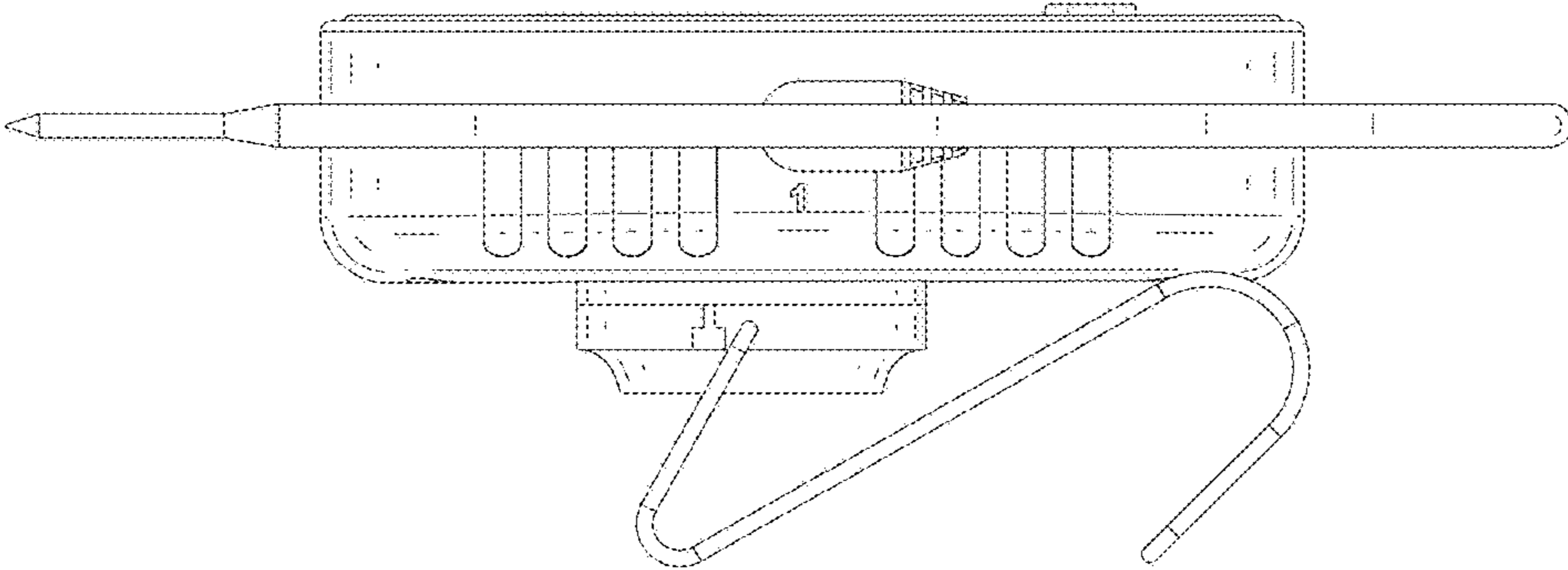


FIG.4

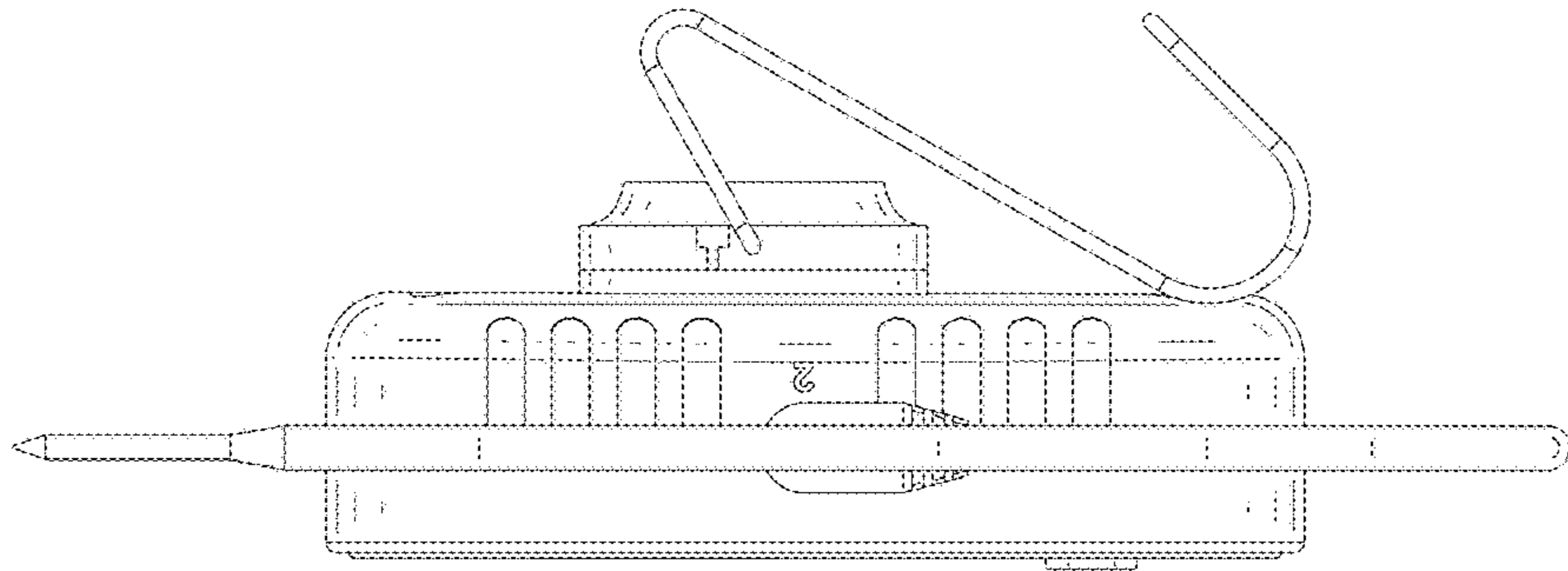


FIG.5

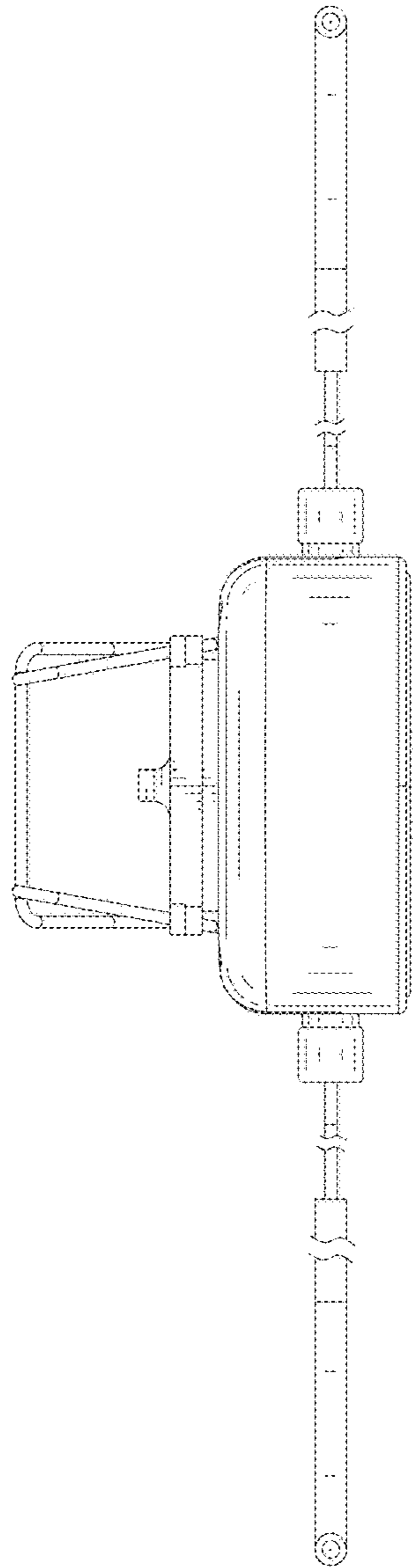


FIG. 6

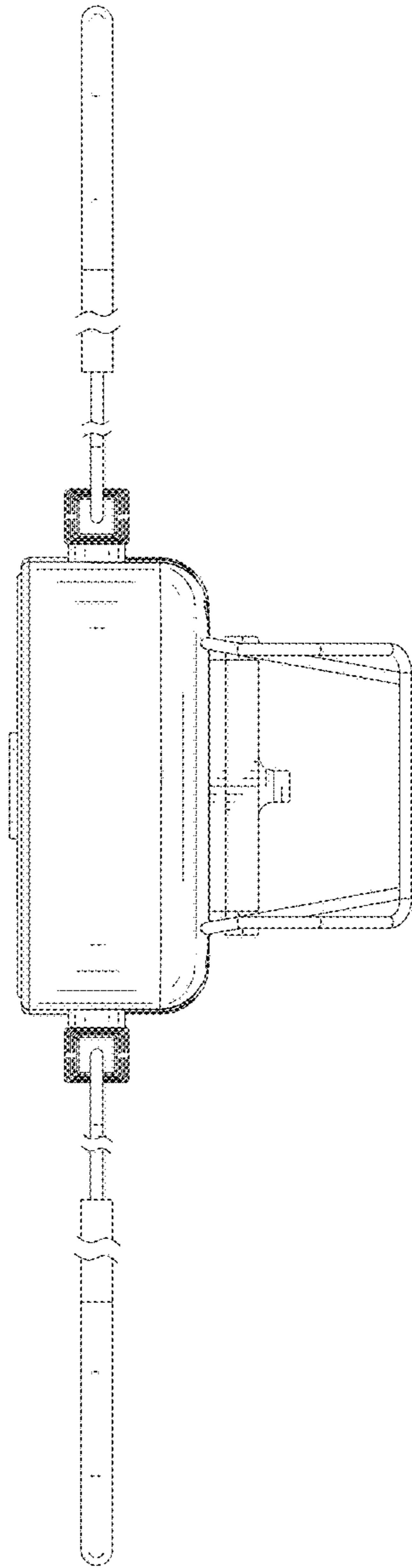


FIG.7