



US00D839755S

(12) **United States Design Patent** (10) **Patent No.:** **US D839,755 S**  
**Du** (45) **Date of Patent:** **\*\* Feb. 5, 2019**

(54) **AIR QUALITY MONITOR**

(71) Applicant: **Honeywell International Inc.**, Morris Plains, NJ (US)

(72) Inventor: **Cui Du**, Shanghai (CN)

(73) Assignee: **Honeywell International Inc.**, Morris Plains, NJ (US)

(\*\*) Term: **15 Years**

(21) Appl. No.: **29/598,400**

(22) Filed: **Mar. 24, 2017**

(30) **Foreign Application Priority Data**

Sep. 30, 2016 (CN) ..... 2016 3 0491490

(51) **LOC (11) Cl.** ..... **10-04**

(52) **U.S. Cl.**  
USPC ..... **D10/52; D10/46**

(58) **Field of Classification Search**

USPC ..... D10/46, 47, 50-56, 60, 61, 65, 66, 70, D10/75, 78, 79, 92, 98, 99, 100, 104.1, D10/106.1, 106.2, 106.5, 106.6, 106.9, D10/106.92, 107, 113.1-113.4, 116.1, D10/118.2, 121, 158; D13/125, 133, 134, D13/158; D14/159; D16/203; D24/158, D24/159, 187; D26/72; D32/21  
CPC ..... G01V 1/16; G01V 8/14; G01C 22/006; A61F 9/023; H04Q 9/00; G05B 15/02; G05B 2219/2642

See application file for complete search history.

(56) **References Cited**

**U.S. PATENT DOCUMENTS**

D360,153 S \* 7/1995 Chacchia ..... D10/101  
D386,096 S \* 11/1997 Lage ..... D10/103  
D399,766 S \* 10/1998 Picozza ..... D10/52

D526,917 S \* 8/2006 Stowers ..... D10/86  
D540,291 S \* 4/2007 Heath ..... D14/137  
D691,965 S \* 10/2013 Bedolla ..... D13/162  
8,558,179 B2 10/2013 Filson et al.

(Continued)

**OTHER PUBLICATIONS**

Indoor Air Quality Monitor, posted on honeywell.com, posted date Jul. 14, 2017, no production date given, [online], [site visited Mar. 30, 2018], Available from Internet, URL: <https://www.honeywell.com/newsroom/news/2017/07/get-smart-design> (Year: 2017).\*

(Continued)

*Primary Examiner* — Melanie H Tung

*Assistant Examiner* — Fritzgerald L Butac

(74) *Attorney, Agent, or Firm* — Craige Thompson; Thompson Patent Law

(57) **CLAIM**

The ornamental design for air quality monitor, as shown and described.

**DESCRIPTION**

FIG. 1 is a front perspective view of an air quality monitor in accordance with the new design.

FIG. 2 is rear perspective view thereof.

FIG. 3 is a front elevation view thereof.

FIG. 4 is a back elevation view thereof.

FIG. 5 is a side elevation view thereof.

FIG. 6 is a alternate side elevation view thereof, showing the side opposing that shown in FIG. 5.

FIG. 7 is a top elevation view thereof.

FIG. 8 is a bottom elevation view thereof.

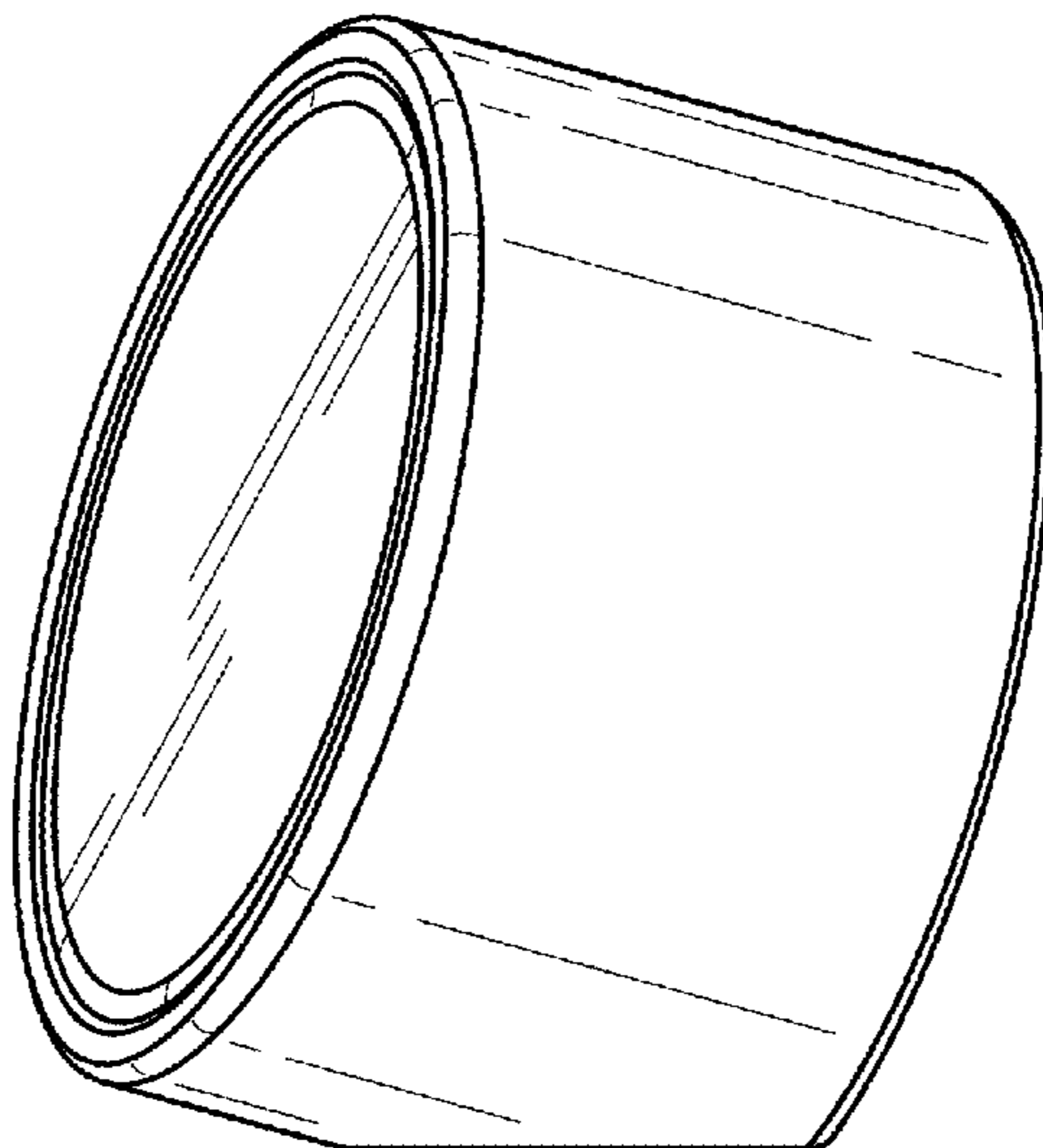
FIG. 9 is an alternative front perspective view of an air quality monitor.

FIG. 10 is an alternative front elevation view thereof; and,

FIG. 11 is an alternate top elevation view thereof.

The broken lines showing text in FIGS. 9, 10, and 11 form no part of the claimed design.

**1 Claim, 6 Drawing Sheets**



(56)

**References Cited**

U.S. PATENT DOCUMENTS

D696,595	S	*	12/2013	Peel	.....	D10/46.1
D726,161	S	*	4/2015	Howard	.....	D14/218
D732,447	S	*	6/2015	Broadbent	.....	D12/192
D741,204	S	*	10/2015	Chen	.....	D10/52
D746,710	S	*	1/2016	Li	.....	D10/106.1
D746,886	S	*	1/2016	Breazeal	.....	D15/199
D747,229	S	*	1/2016	Perez	.....	D10/104.1
D748,078	S	*	1/2016	Nardin	.....	D14/218
D752,588	S	*	3/2016	Li	.....	D14/385
D794,599	S	*	8/2017	Reed	.....	D14/159
D803,073	S	*	11/2017	Ji	.....	D10/52
D804,977	S	*	12/2017	Xu	.....	D10/106.1
D811,392	S	*	2/2018	Lu	.....	D14/358
D812,003	S	*	3/2018	Lee	.....	D13/110
D812,004	S	*	3/2018	Lee	.....	D13/110
D812,565	S	*	3/2018	Lee	.....	D13/110

OTHER PUBLICATIONS

China Design Patent Application; 201630491490.X; Sep. 30, 2016; 4 pgs.

China Patent Application; 201611036264.8; Sep. 30, 2016; 18 pgs.

China Notification to Grant Patent Right; 201630491490.X; Dec. 29, 2016; 3 pgs.

Honeywell Lyric Round WiFi Thermostat, RCH9310WF (Second Generation); [retrieved from the internet on Sep. 8, 2016]. Retrieved from the Internet: <<http://www.honeywellstore.com/store/products/lyricthermostatwifismartcontrolRCH9310WF.htm>>.

Realtime PM2.5 Air Pollution Meter | Indoor AQI Monitor, [retrieved from the internet on Sep. 8, 2016]. <<http://originstech.com/products/laseregg/>>.

Smart AC Control | tado°, [retrieved from the internet on Sep. 8, 2016]. <<https://www.tado.com/en/products/smartaccontrol>>.

\* cited by examiner

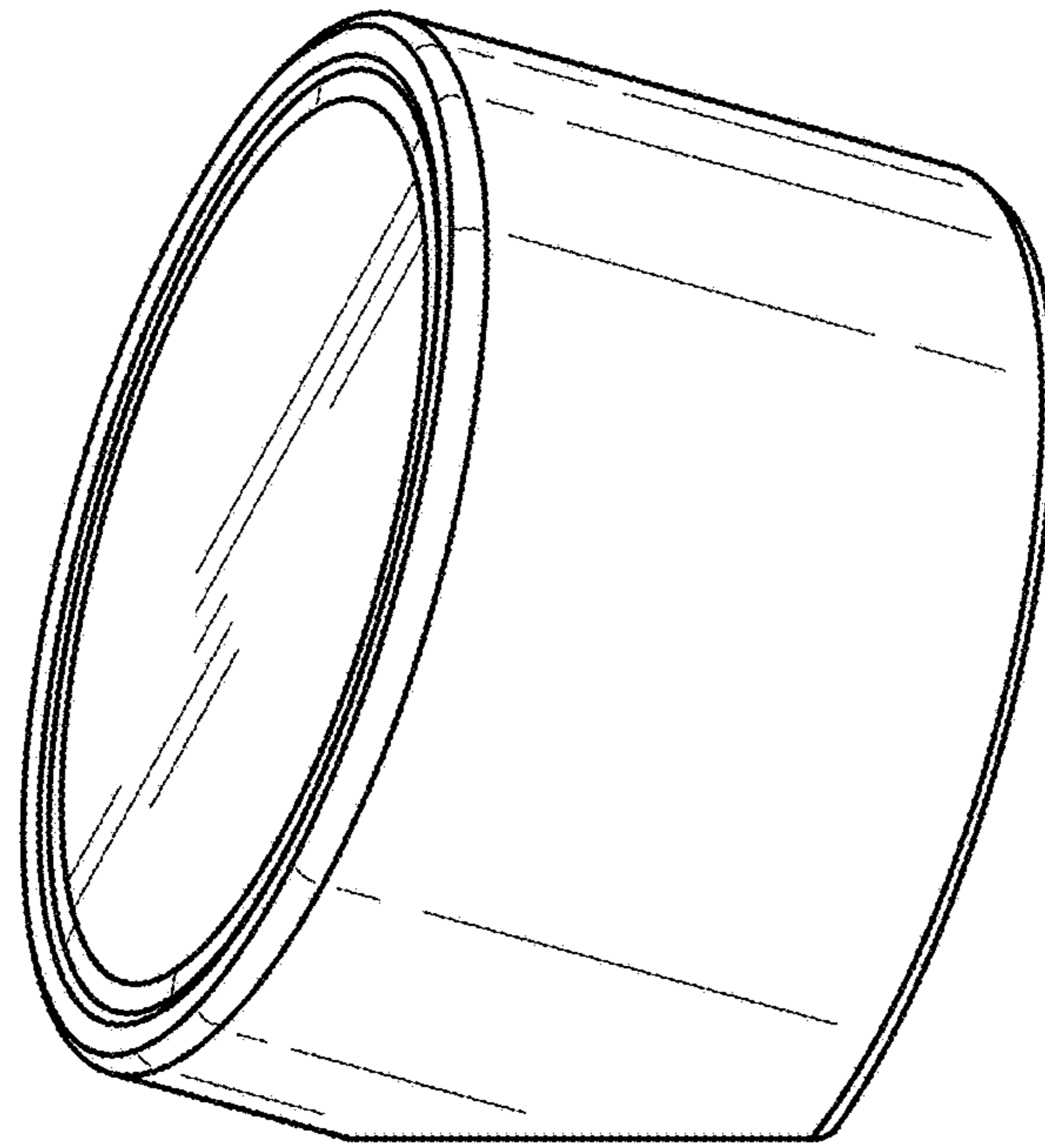


FIG. 1

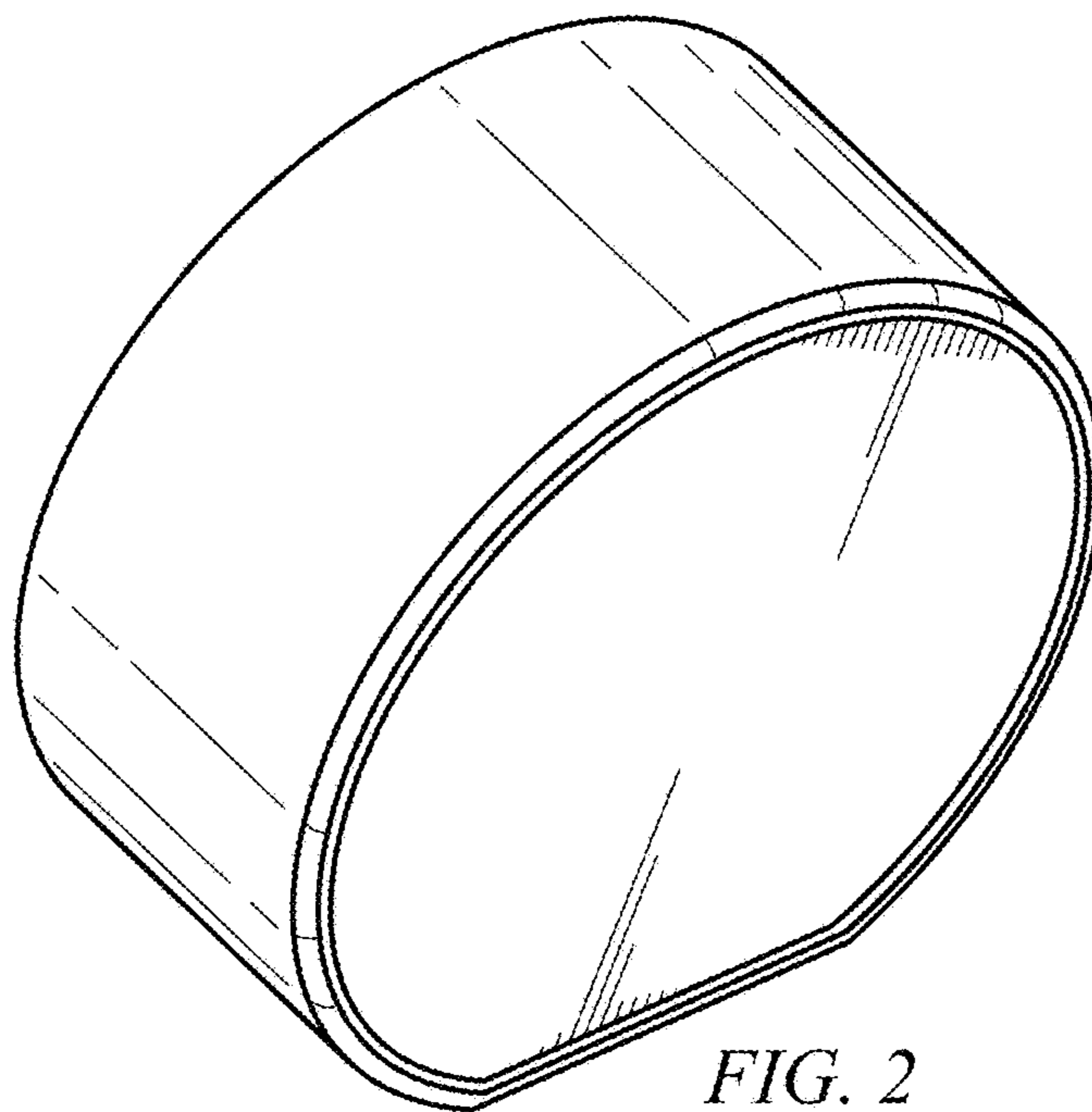


FIG. 2

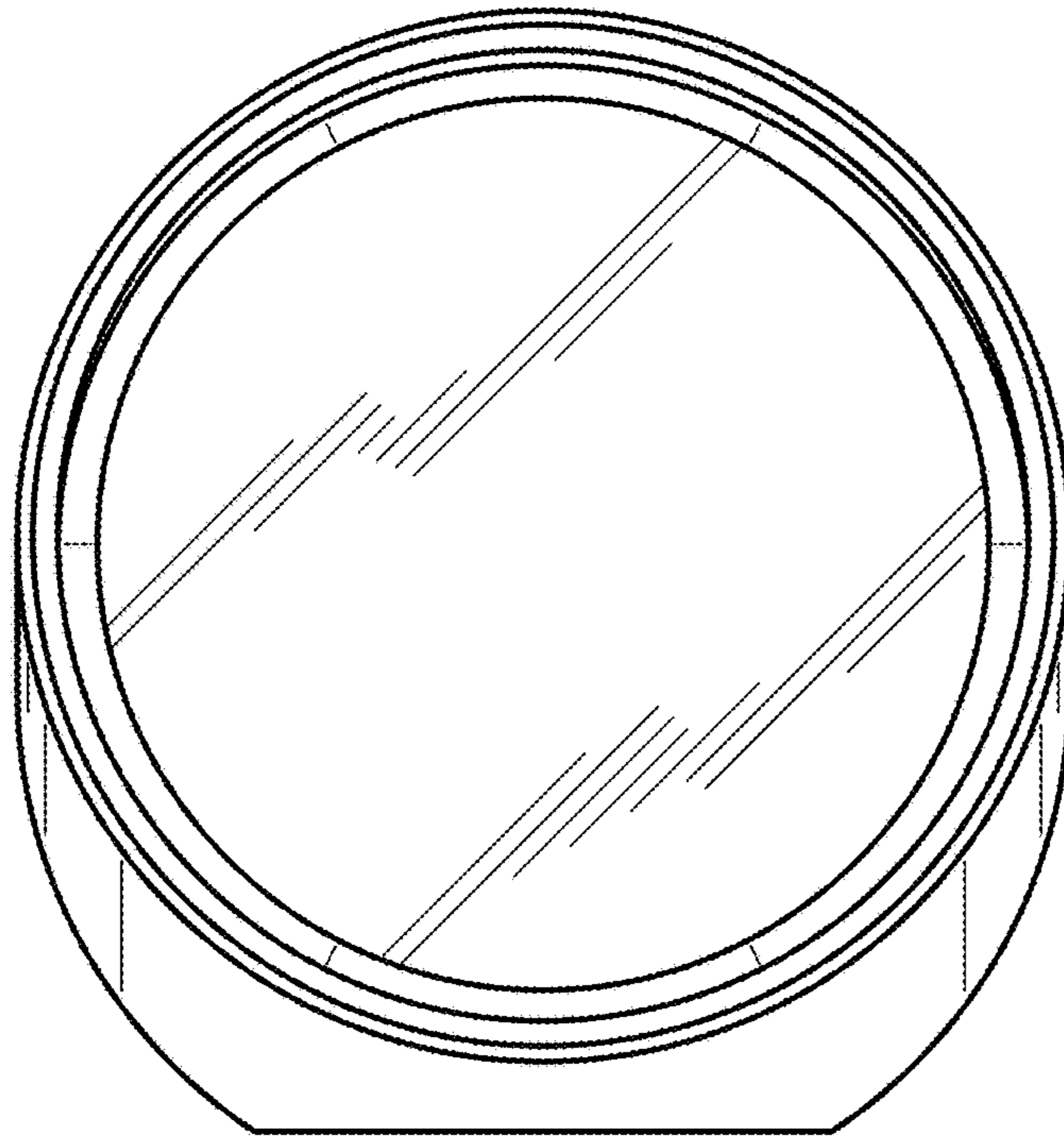


FIG. 3

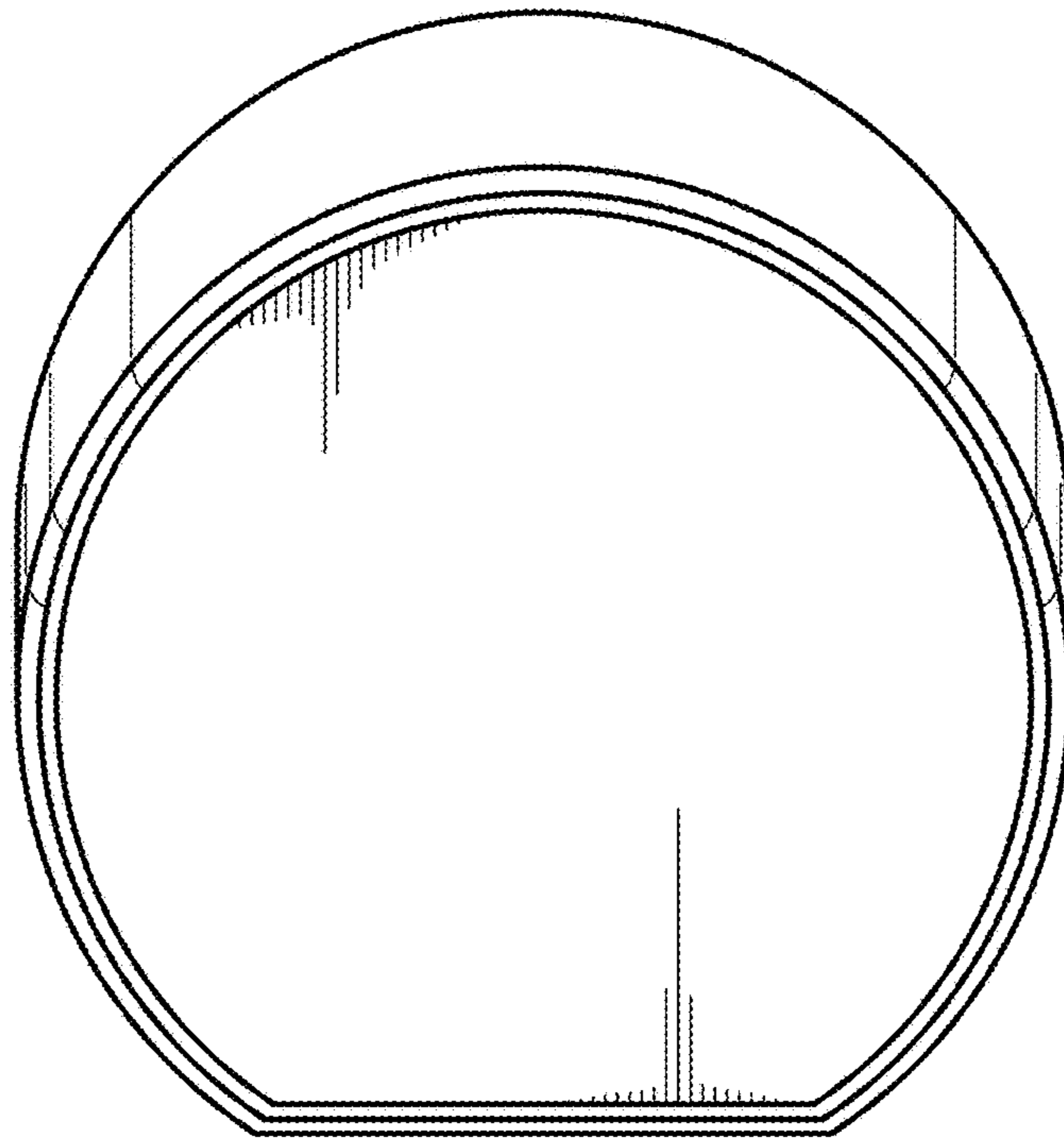


FIG. 4

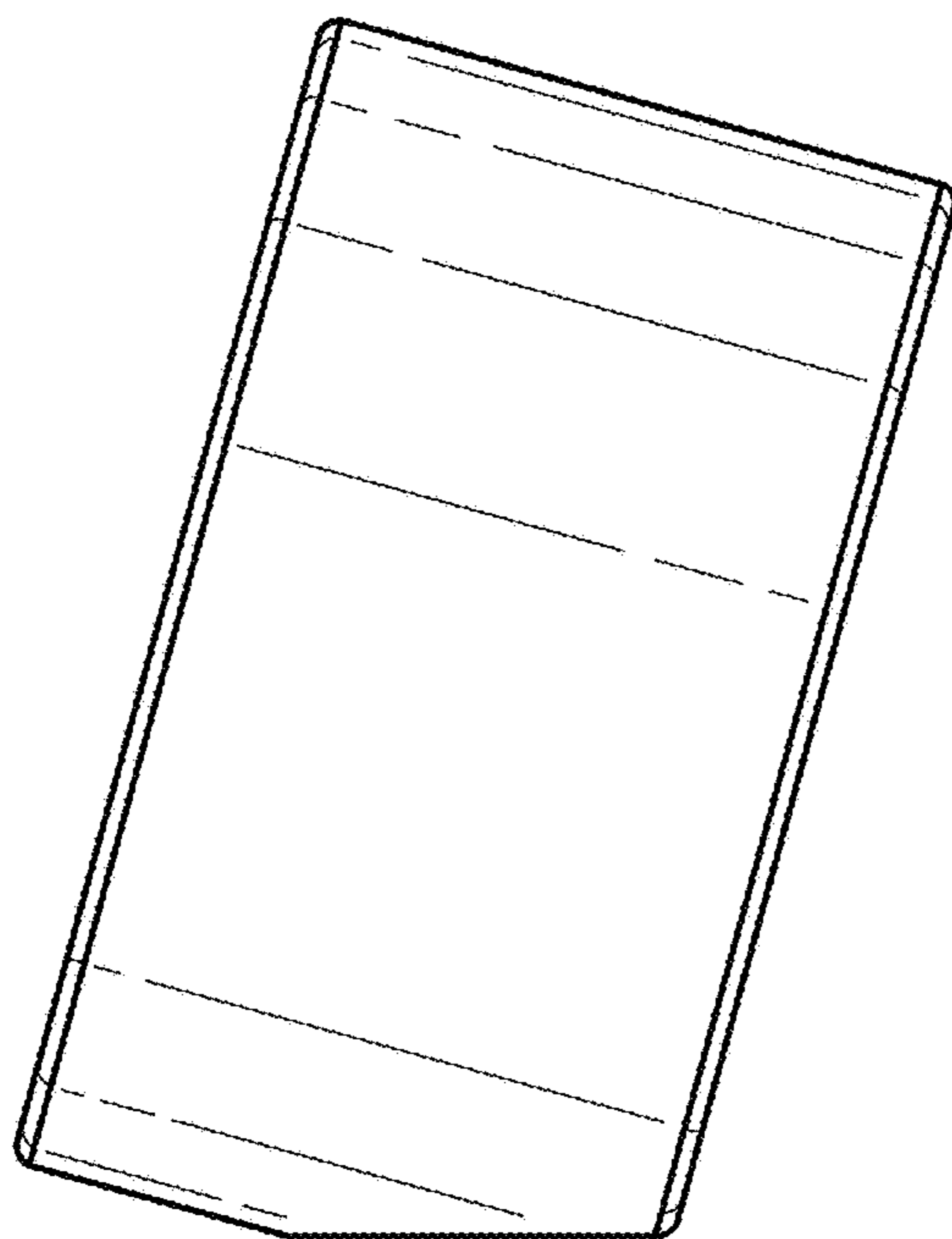


FIG. 5

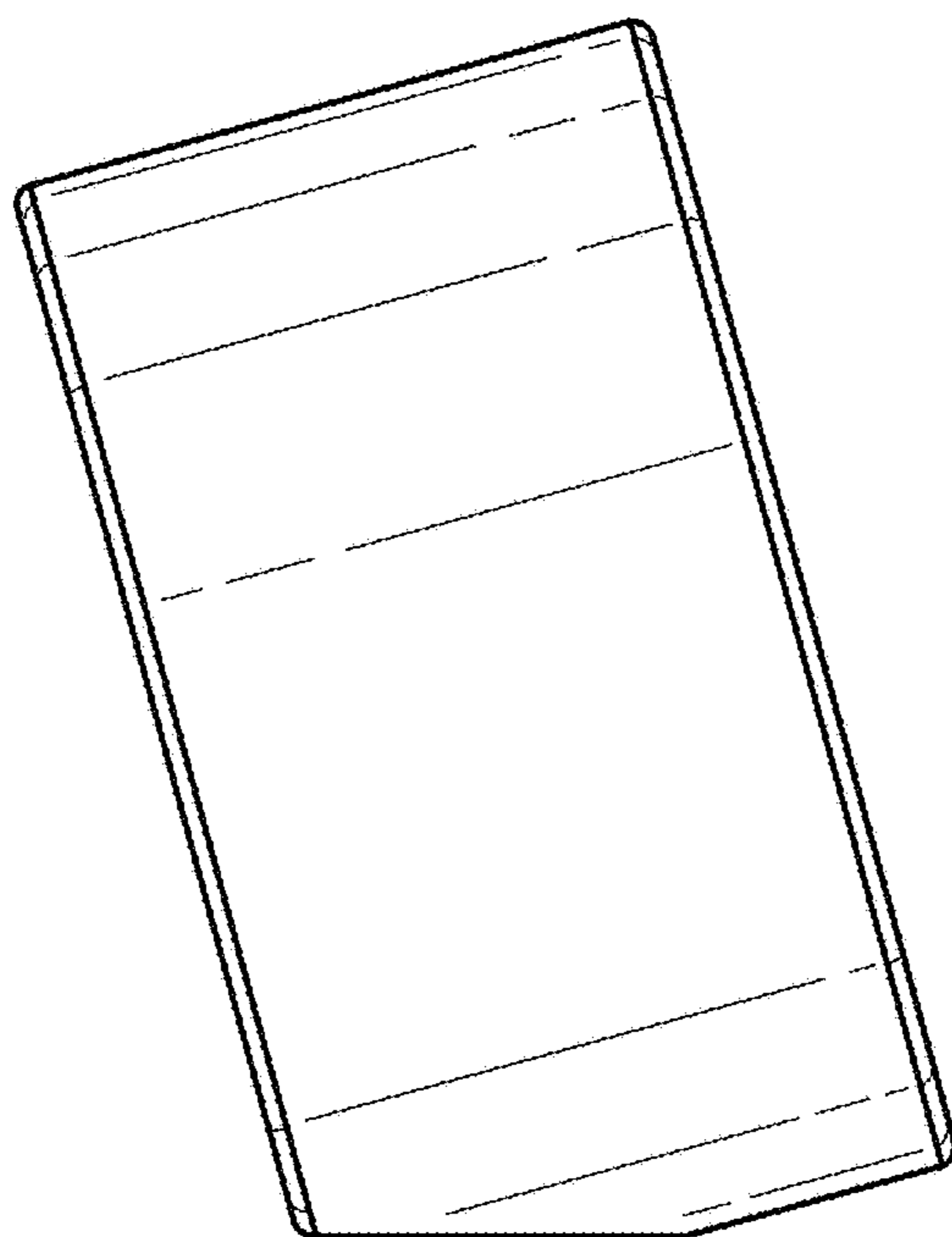


FIG. 6

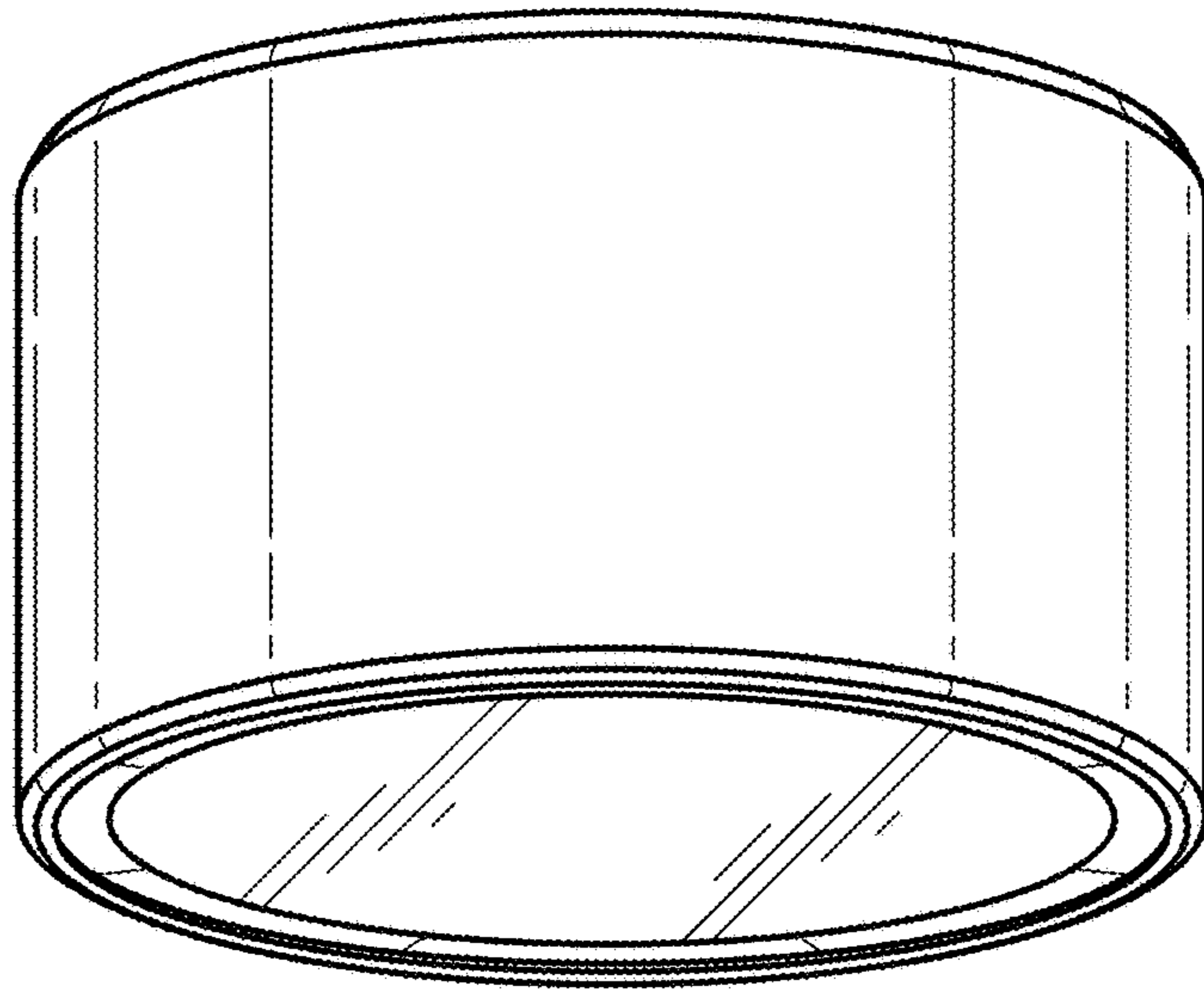


FIG. 7

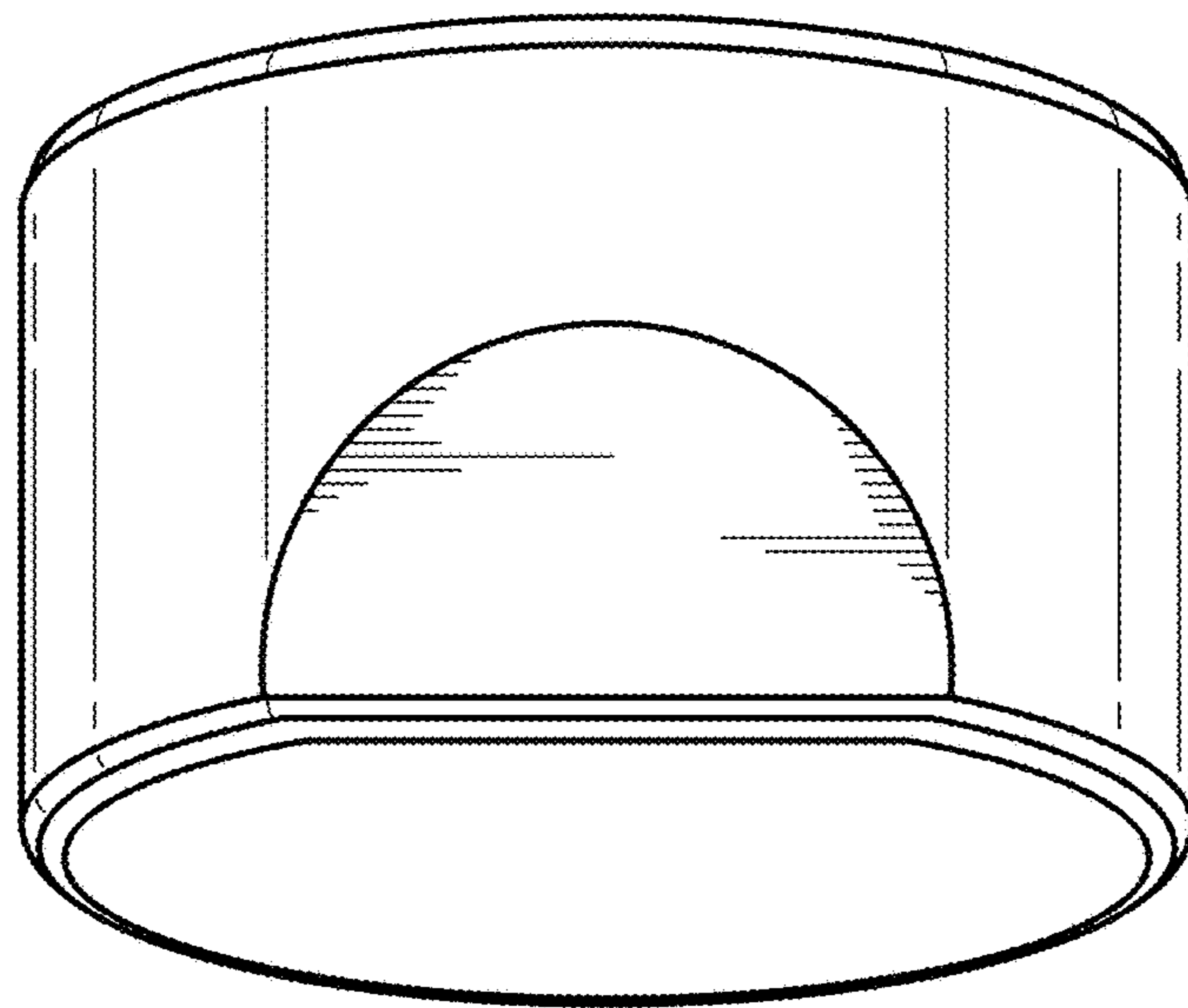
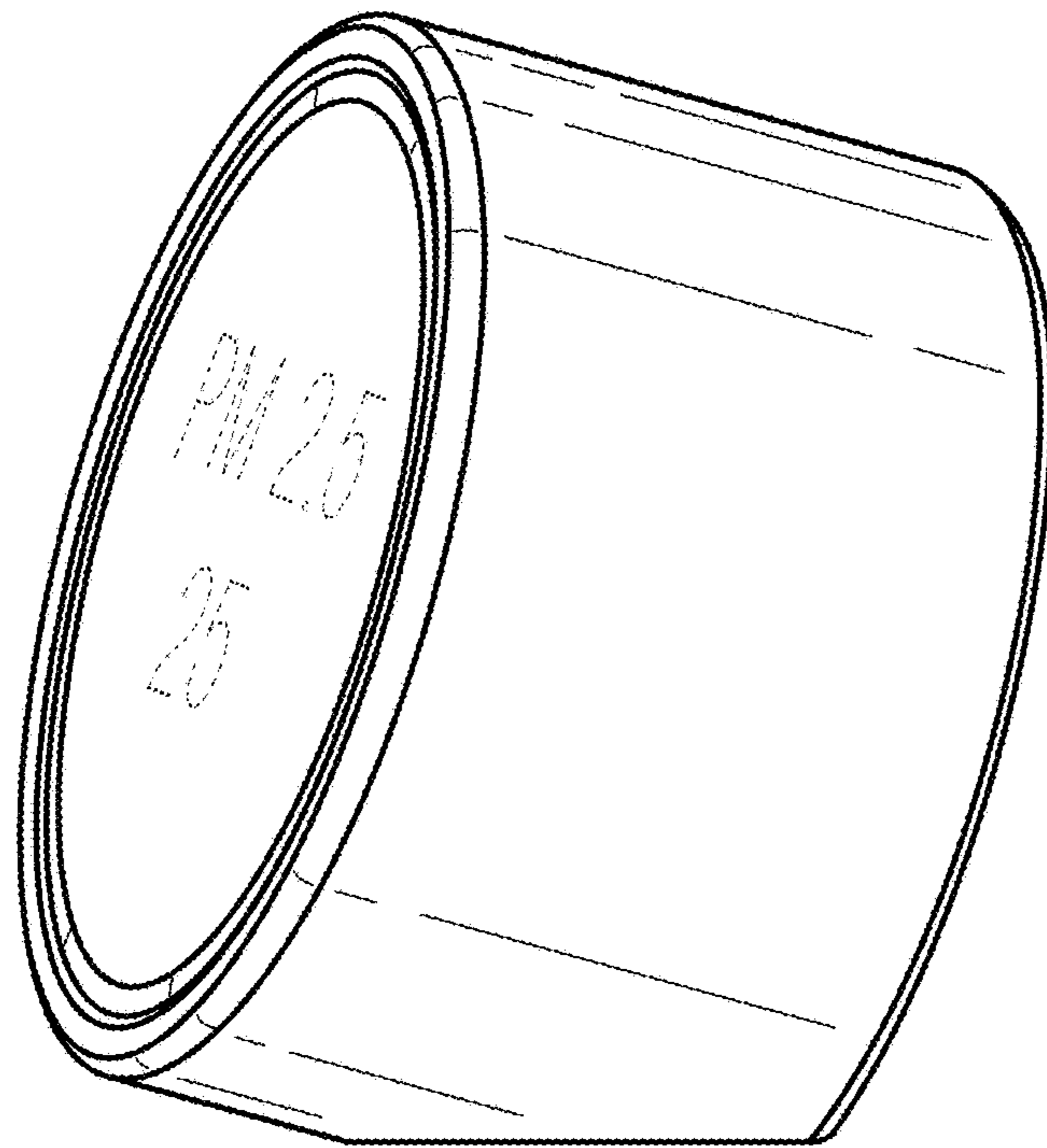
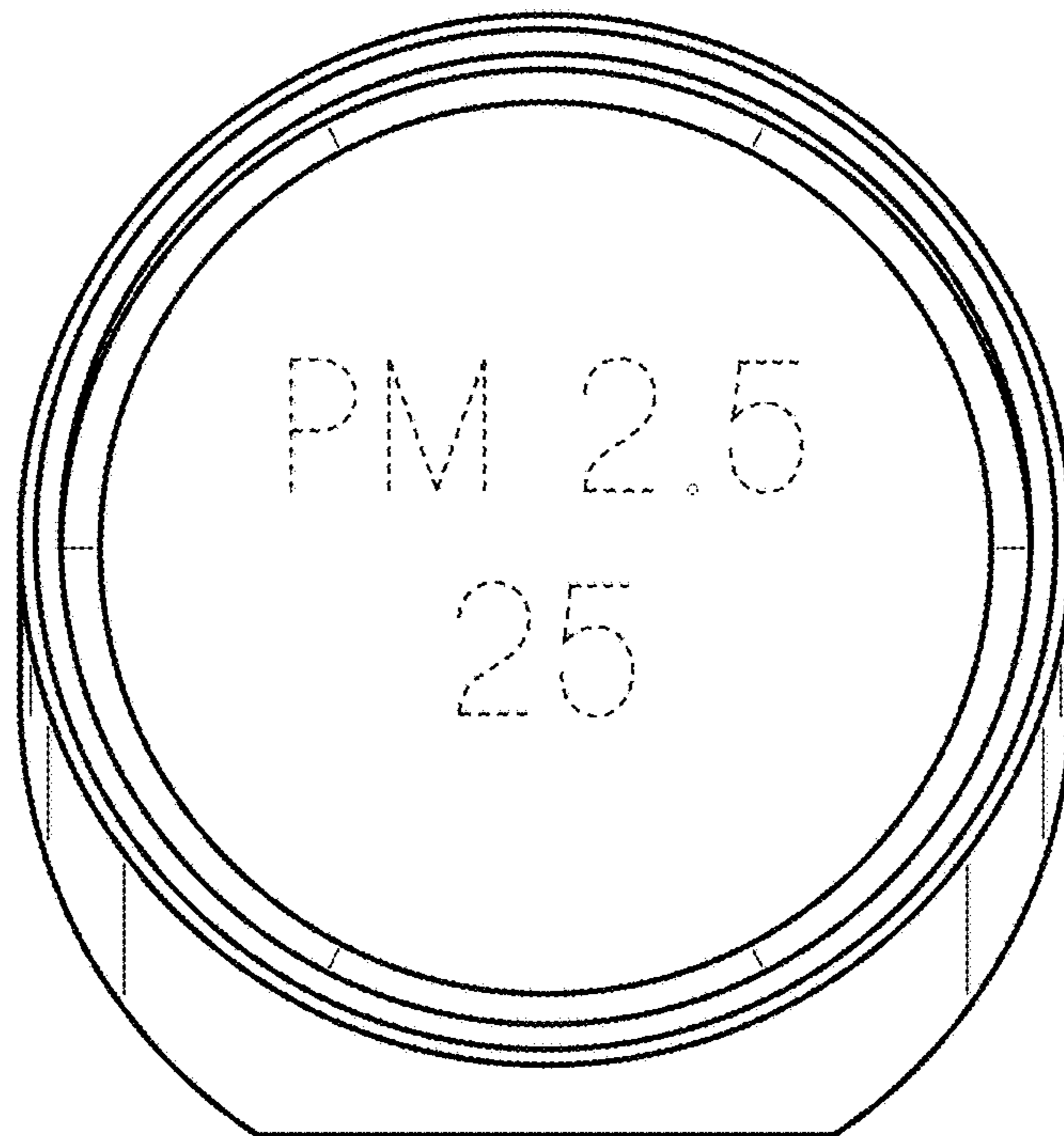


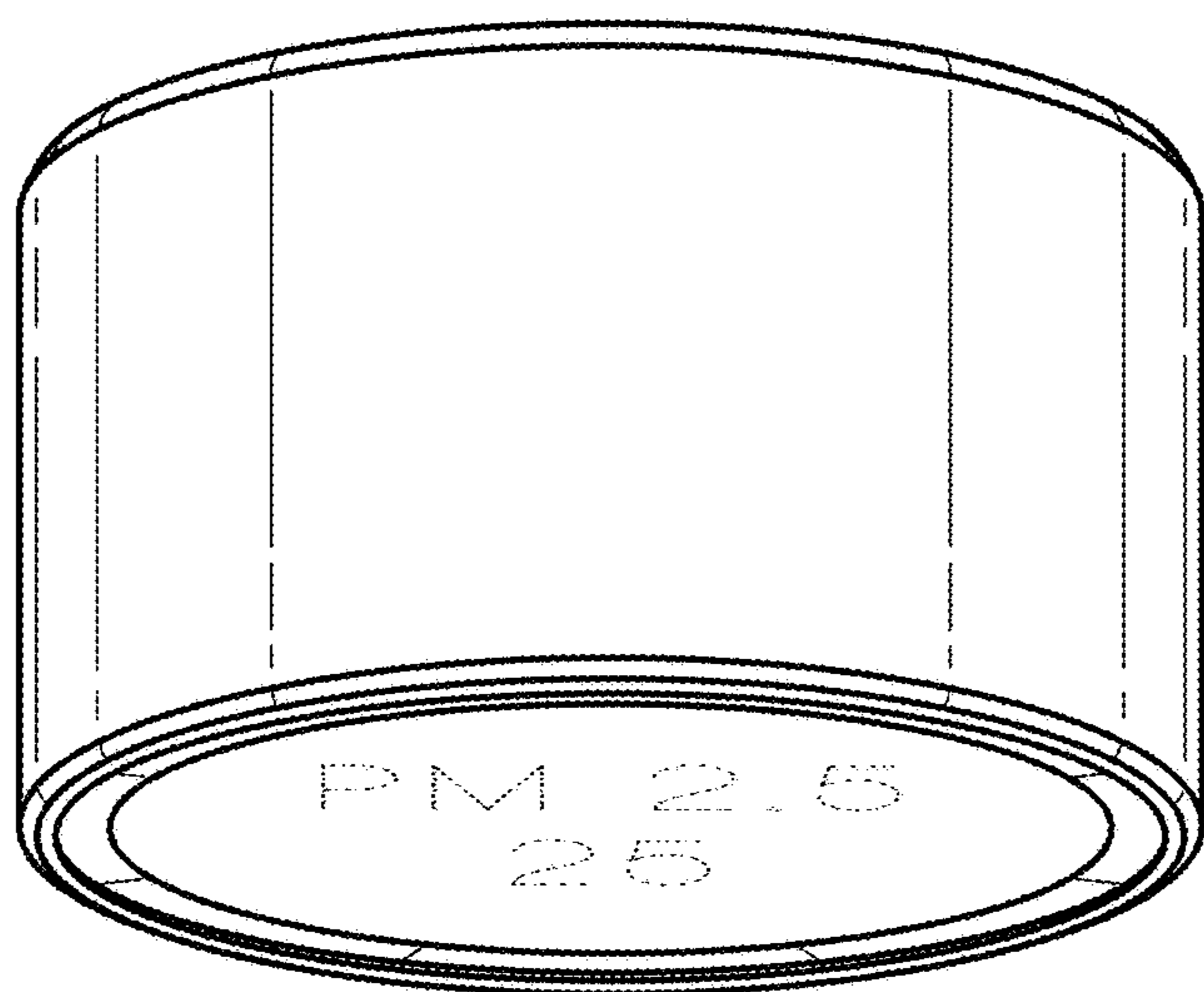
FIG. 8



*FIG. 9*



*FIG. 10*



*FIG. 11*